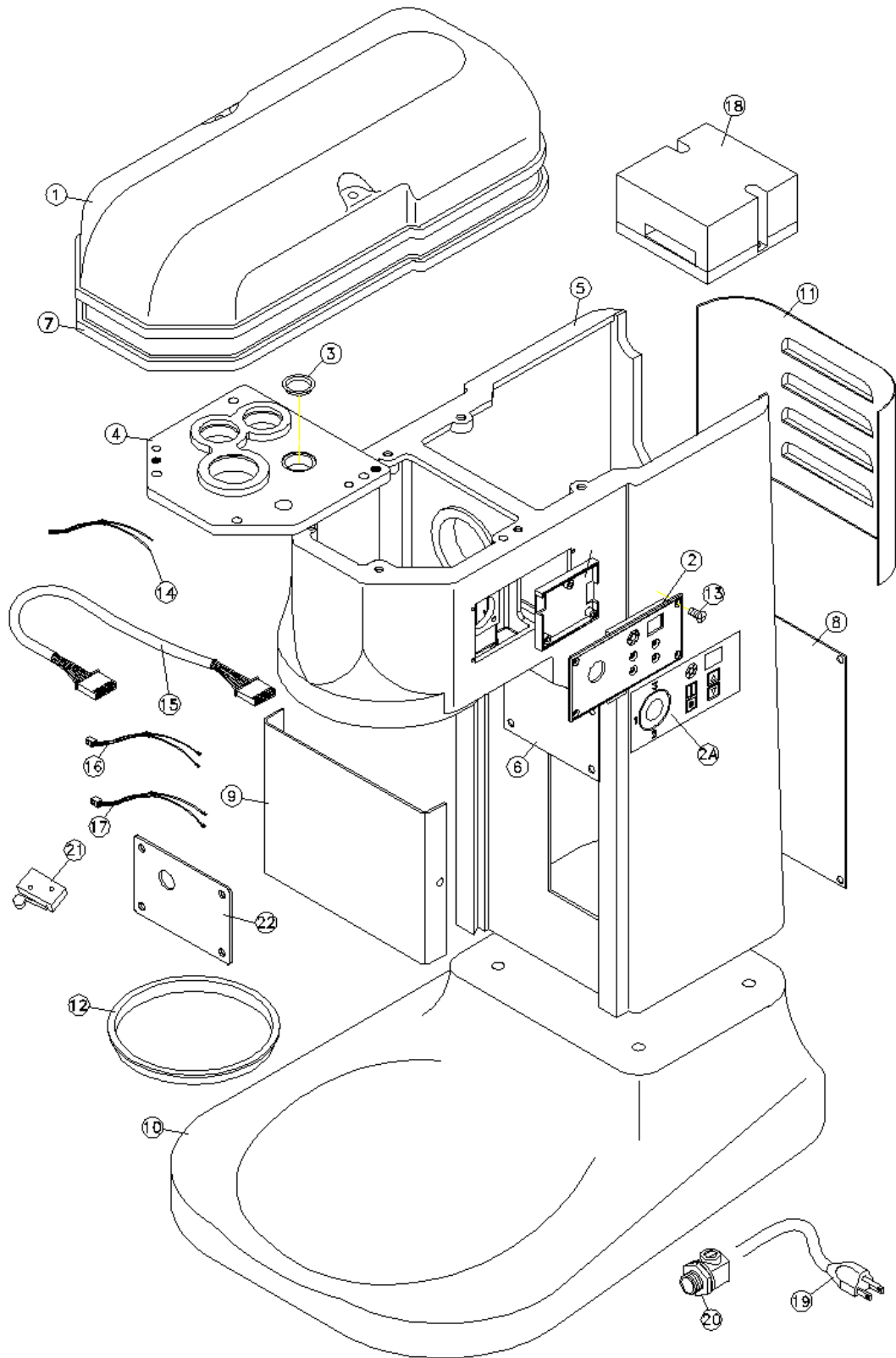


Figure 1. TRANSMISSION CASE

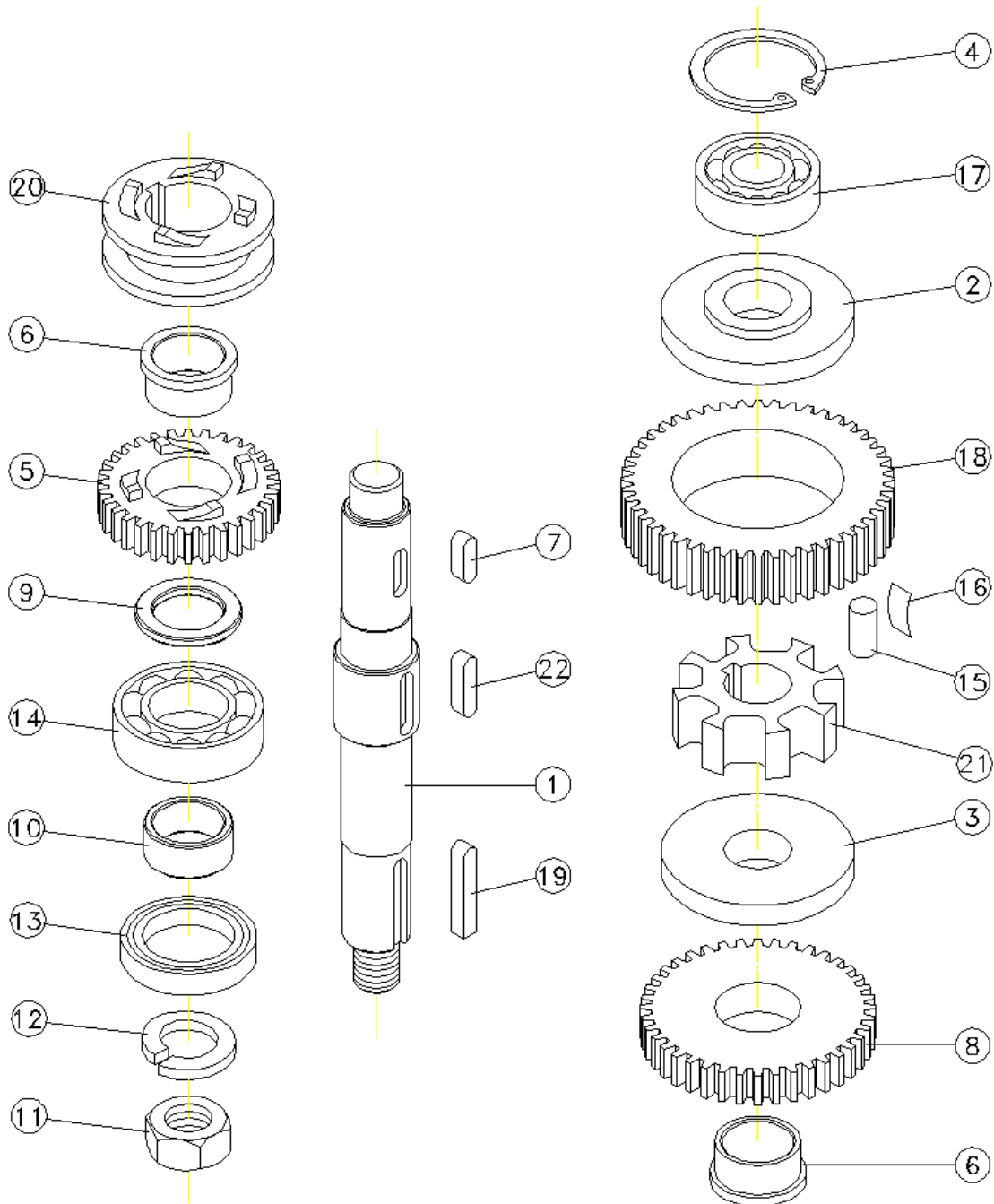
GM12-01-000



	Description or Name	Part No.	Qty
1	Upper Lid	BM10-01-001	1
2	Control Panel with Box	GM07-07-003A	1
2	Control Panel	GM07-07-003B	1
2A	Sticker of Control Panel	GM07-07-003C	1
3	Oil Baffle	11012-04-008	1
4	Gear Housing Cover	GM12-01-004	1
5	Mixer Head and Column	GM12-01-005	1
6	Cover Plate	BM10-01-006	1
7	U-Type Seal	CY-6m/m	1
8	Plate of Electrical Box	BM10-09-002	1
9	Front Cover	GM12-09-003	1
10	Base	GM12-09-004	1
11	Rear Cover	GM12-09-005	1
12	Plastic Plug	GM12-09-013	1
13	Mach Screw 5/32*3/8	S+F5/32*3/8	4
14	Internal Wire	XL710-L1	1
15	Internal Wire	XL710-L2	1
16	Wires of Bowl Switch	XL710-L3	1
17	Wires of Safety Guard Switch	XL710-L4	1
18	Box of Electric Equipment	SL-710-1 (110V)	1
19	Power Cable	CABLE-1.5-3C-CE-F(220V)	1
20	Terminal of Wires	WF-GDA-AG-20	1
21	Limit Switch	V-155-1A5	1
22	Limit Switch Seat	GM12-13-006	1

Figure 2. PLANETARY SHAFT

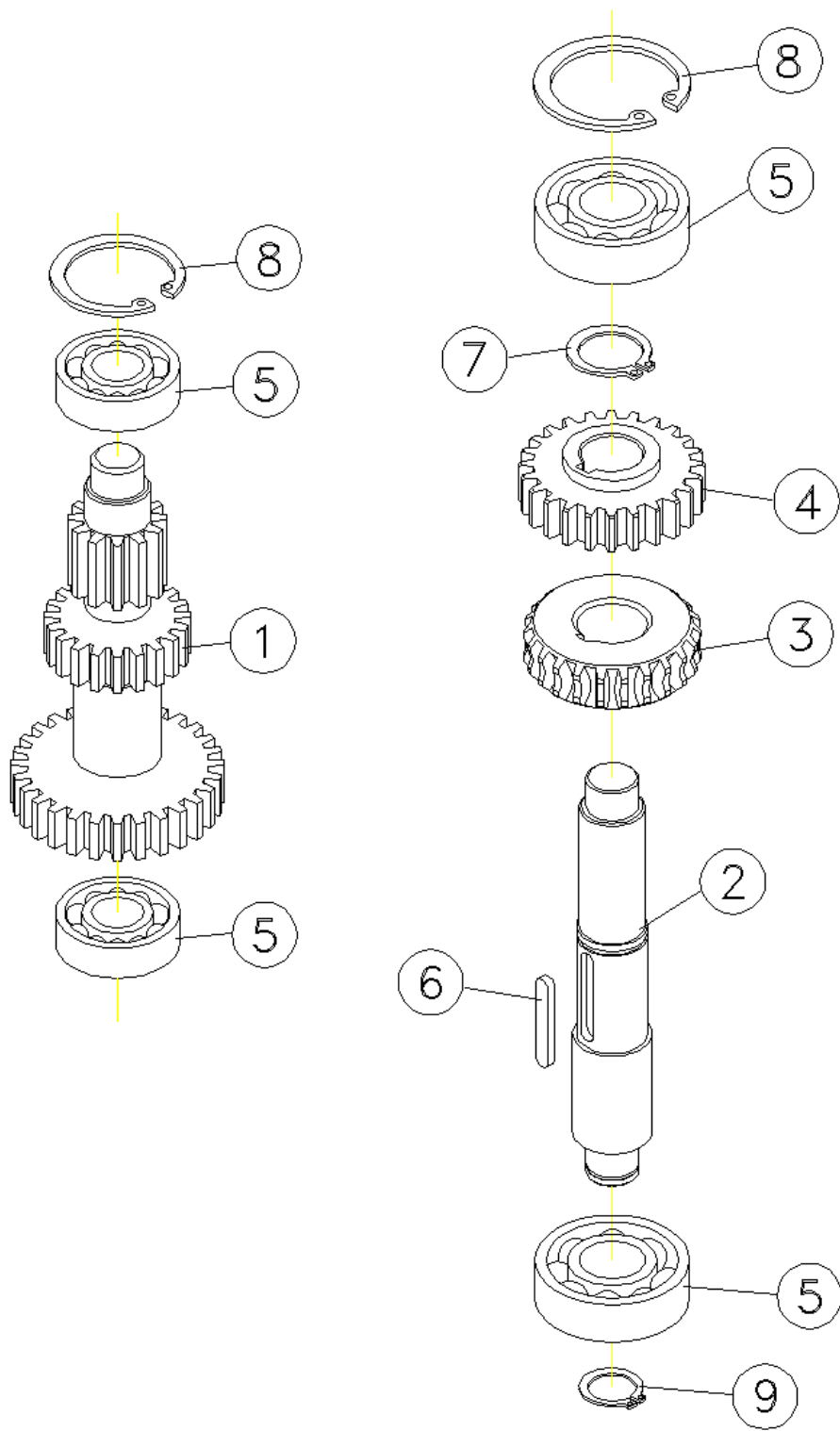
GM12-02-000



	Description or Name	Part No.	Qty
1	Planetary Shaft	BM10-02-001	1
2	Detain- Fixed Cover	BM10-02-002	1
3	Bevel Gear	GM12-02-011	1
4	C-Type Snap Ring R35	STW-R35	1
5	Gear 32T	GM12-02-005	1
6	Clutch Copper Bushing	BM10-02-006	2
7	Key 5*5*20	KRR-5*5*20	1
8	Gear 42T	GM12-02-008	1
9	Washer	BM10-02-009	1
10	Spacer	BM10-02-010	1
11	Nut 1/2*20NF	NUT-1/2*20NF	1
12	Spring Washer 1/2"	SW-1/2	1
13	Oil Seal TC25*38*07	OS-TC25*38*07	1
14	Ball Bearing 6004Z	BR-6004Z	1
15	Pin	11012-02-023	8
16	Spring Sheet	11012-02-024	8
17	Ball Bearing 6202Z	BR-6202Z	1
18	Low Speed Gear(49T)	BM10-02-018	1
19	Key 5*5*30	KR-5*5*30	1
20	Clutch	BM10-02-020	1
21	Sleeve Drive	BM10-02-021	1
22	Key 5*5*15	KRR-5*5*15	1

Figure 3. TRANSMISSION SHAFT

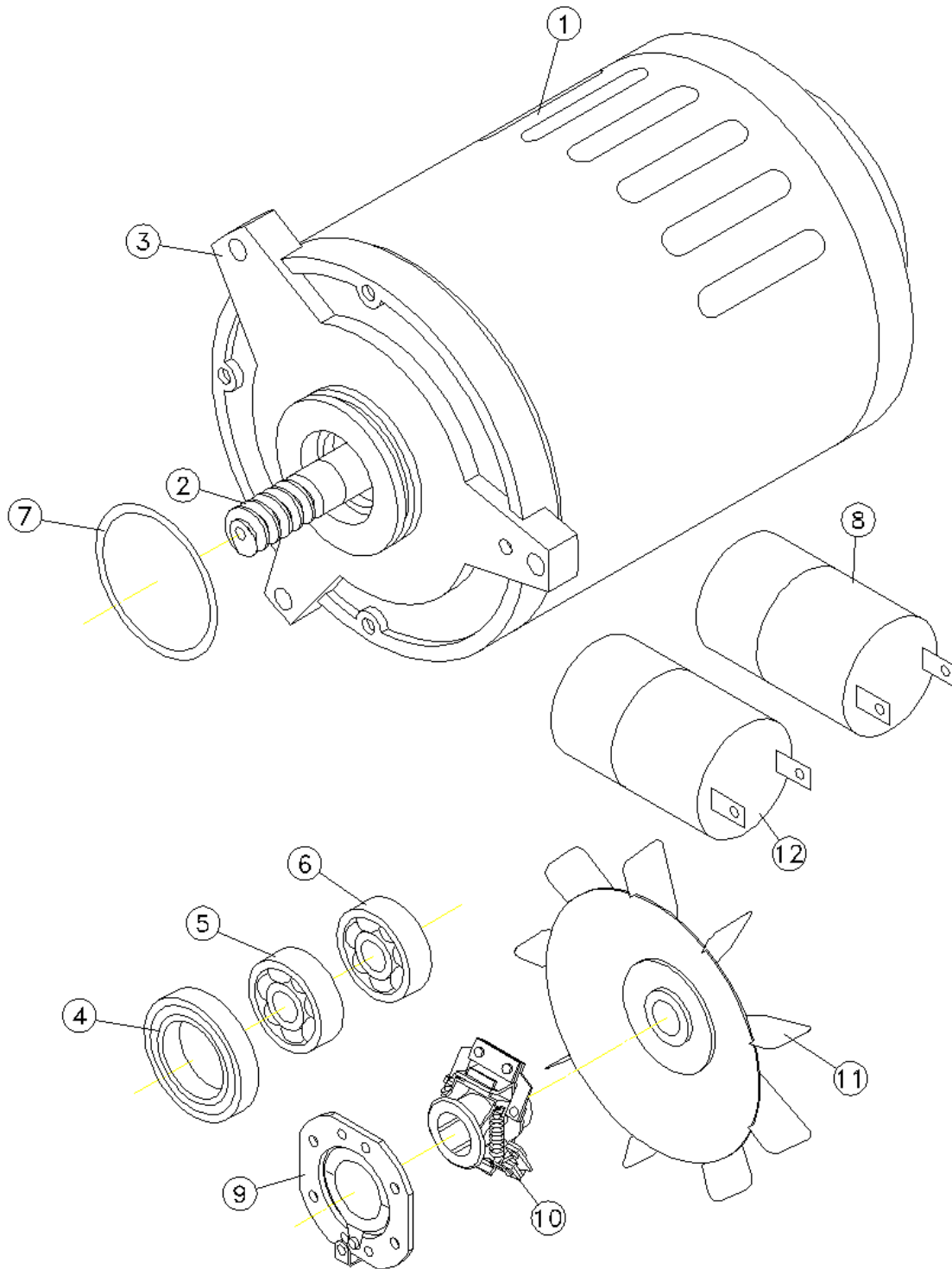
GM12-03-000



	Description or Name	Part No.	Qty
1	Shaft Gear	GM12-03-001	1
2	30T Gear	GM12-03-002	1
3	20T Gear	GM12-03-003	1
4	Worm Gear Shaft	GM12-04-001	1
5	Worm Gear	GM12-04-002	1
6	26T Gear	GM12-04-003	1
7	Ball Bearing 6001Z	BR-6001Z	4
8	Key 4*4*10	KRR-4*4*10	3
9	Key 4*4*12	KRR-4*4*12	1
10	C-Type Snap Ring S20	STW-S20	1
11	C-Type Snap Ring S16	STW-S16	1
12	C-Type Snap Ring R28	STW-R28	2
13	C-Type Snap Ring S12	STW-S12	1

Figure 5. MOTOR UNIT

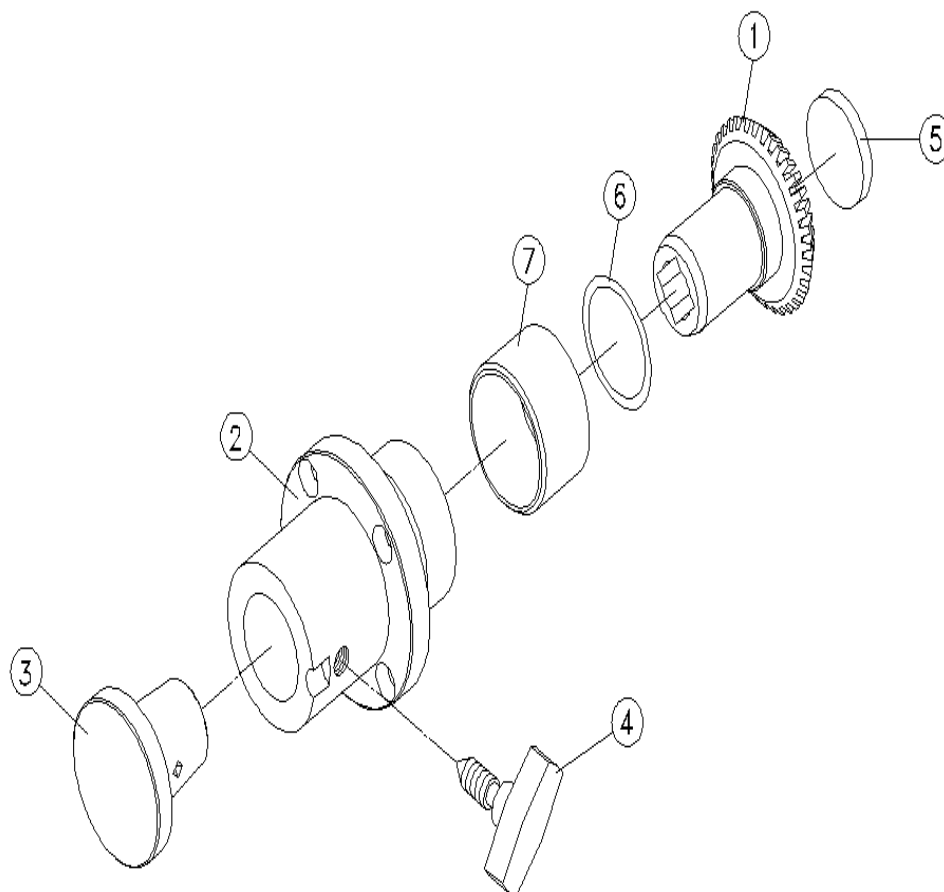
GM12-05-000



	Description or Name	Part No.	Qty
1	Motor	GM12-05-001	1
2	Motor Shaft	GM12-05-002	1
3	Top Cover of Motor	GM12-05-003	1
4	Oil Seal 17*30*07	OS-TC17*30*07	1
5	Ball Bearing 6203ZZ	BR-6203ZZ	1
6	Ball Bearing 6202ZZ	BR-6202ZZ	1
7	O Snap Ring G45	OR-G45	1
8	Capacitor-Start	GM12-05-001CO	1
9	Governor	GM12-05-005/50Hz	1
10	Governor Plate	GM12-05-004/50Hz	1
11	Fan	GM12-05-001FAN	1
12	Capacitor-Run	GM12-05-001COUN	1

Figure 6 ATTACHMENT HUB –OPTIONAL

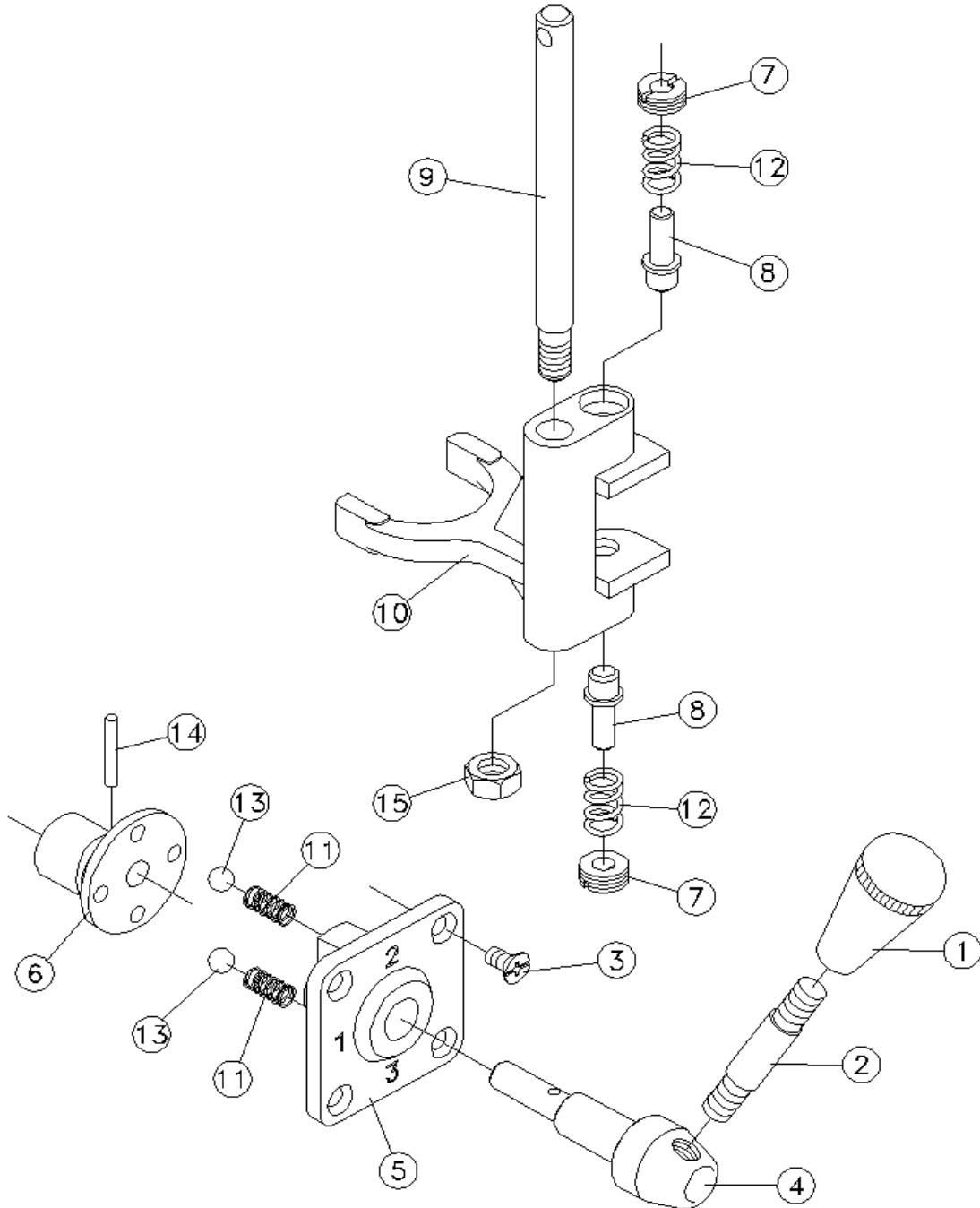
GM12-06-000



	Description or Name	Part No.	Qty
1	Bevel Gear	GM12-06-001	1
2	Attachment Hub	GM12-06-003	1
3	Front Cover	GM12-06-004	1
4	Thumb Screw	GM12-06-005	1
5	Oil Baffle	11012-06-006	1
6	O Snap Ring G25	OR-G25	1
7	Ball Bearing 22* 25*20	22* 25*20	1

Figure 7 SHIFTING UNIT

GM12-07-000

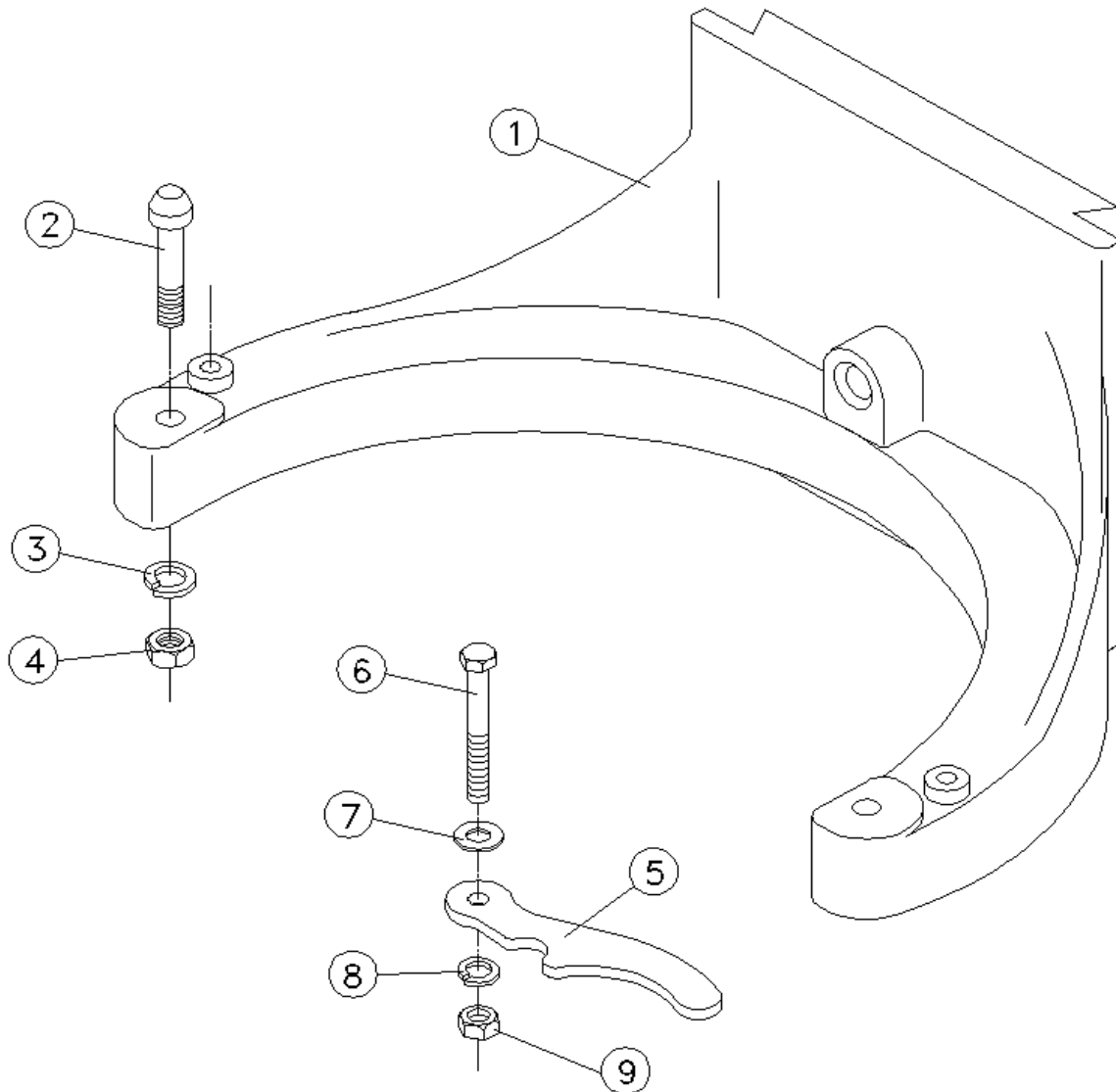


	Description or Name	Part No.	Qty
1	Knob for Shift Handle	11012-07-001	1
2	Shift Handle	GM12-07-002	1
3	Mach Screw 3/16*1/2	S+F3/16*1/2	4
4	Eccentric Shift Shaft	GM12-07-004	1
5	Shift Selector	GM12-07-005A	1
6	Eccentric Shaft	BM10-07-006	1
7	Screw	BM10-07-007	2
8	Shift Fork Plunger	BM10-07-008	2
9	Shifter Fixed Shaft	BM10-07-009	1
10	Shift Fork	BM10-07-010	1
11	Compression Spring	GM12-07-011	2
12	Compressing Spring	BM10-07-012	2
13	Steel Ball 6	SB-6	2
14	Spring Pin 3*22	SPP-3*22	1
15	Nut 5/16*18NC	NUT-5/16*18NC	1

	Description or Name	Part No.	Qty
1	Internal Pinion	BM10-08-001	1
2	Internal Drive Gear	GM12-08-002	1
3	Head Ring	BM10-08-003	1
4	Planetary Head	GM12-08-004	1
5	Agitating Shaft	BM10-08-005	1
6	Oil Seal 20*35*07	OS-TC20*35*07	1
7	Tapered Pin	BM10-08-007	1
8	Cap Screw 1/4*1	S-C-1/4*1	3
9	C-Type Snap Ring S15	STW-S15	1
10	Ball Bearing 6003Z	BR-6003Z	1
11	Ball Bearing 6202Z	BR-6202Z	1
12	Key 5*5*15	KRR-5*5*15	1

Figure 10. BOWL SUPPORT UNIT

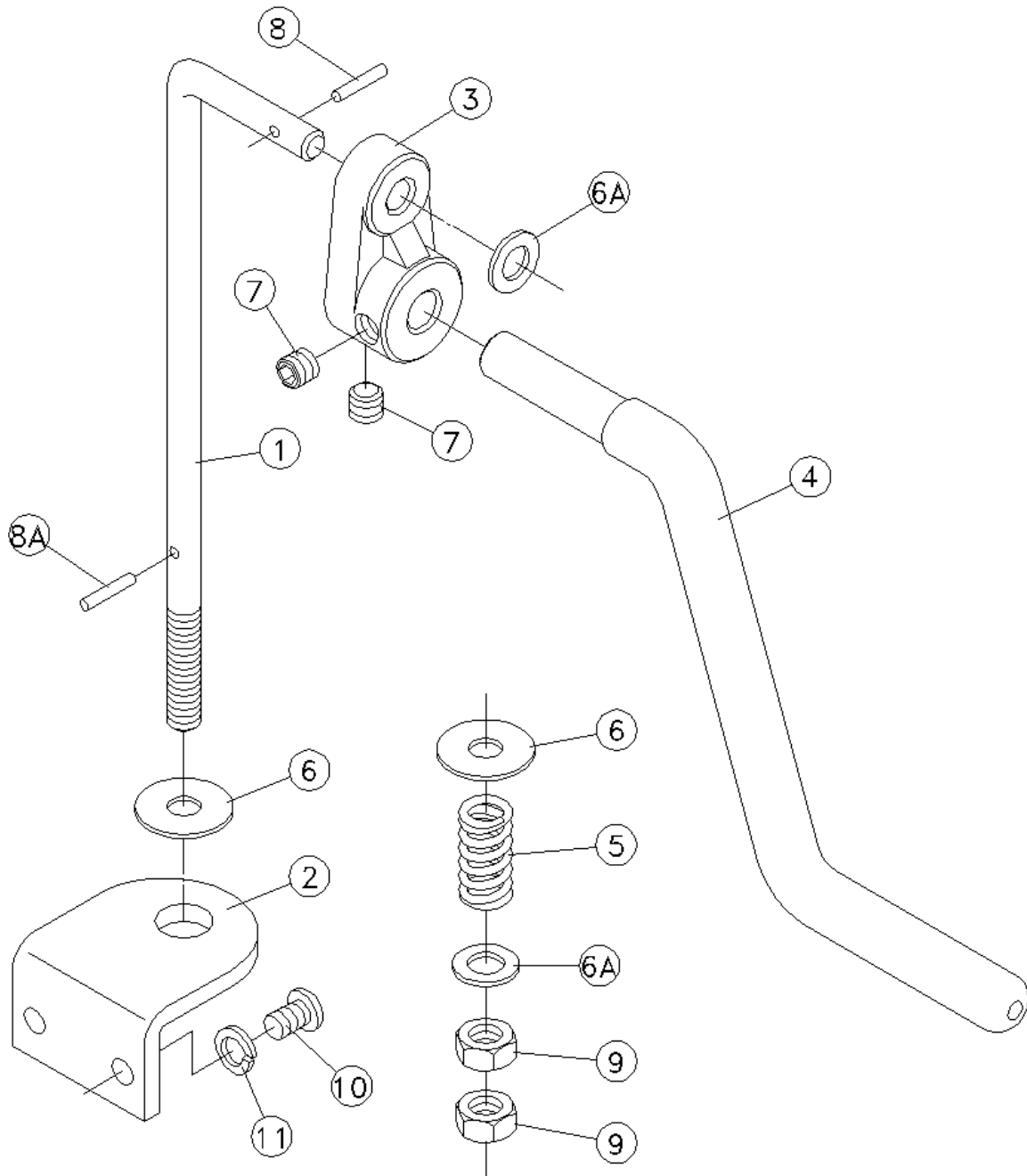
GM12-10-000



	Description or Name	Part No.	Qty
1	Bowl Support	GM12-10-001	1
2	Bowl Pin	BM10-10-002	2
3	Spring Washer 5/16"	SW-5/16	2
4	Nut 5/16*18NC	NUT-5/16*18NC	2
5	Bowl Fixed Plate	11012-10-006	2
6	Bolt 1/4*2	S-1/4*2	2
7	Washer	WB-1/4	2
8	Spring Washer 1/4"	SW-1/4	2
9	Nut 1/4*20NC	NUT-1/4*20NC	2

Figure 11. BOWL LIFTER UNIT

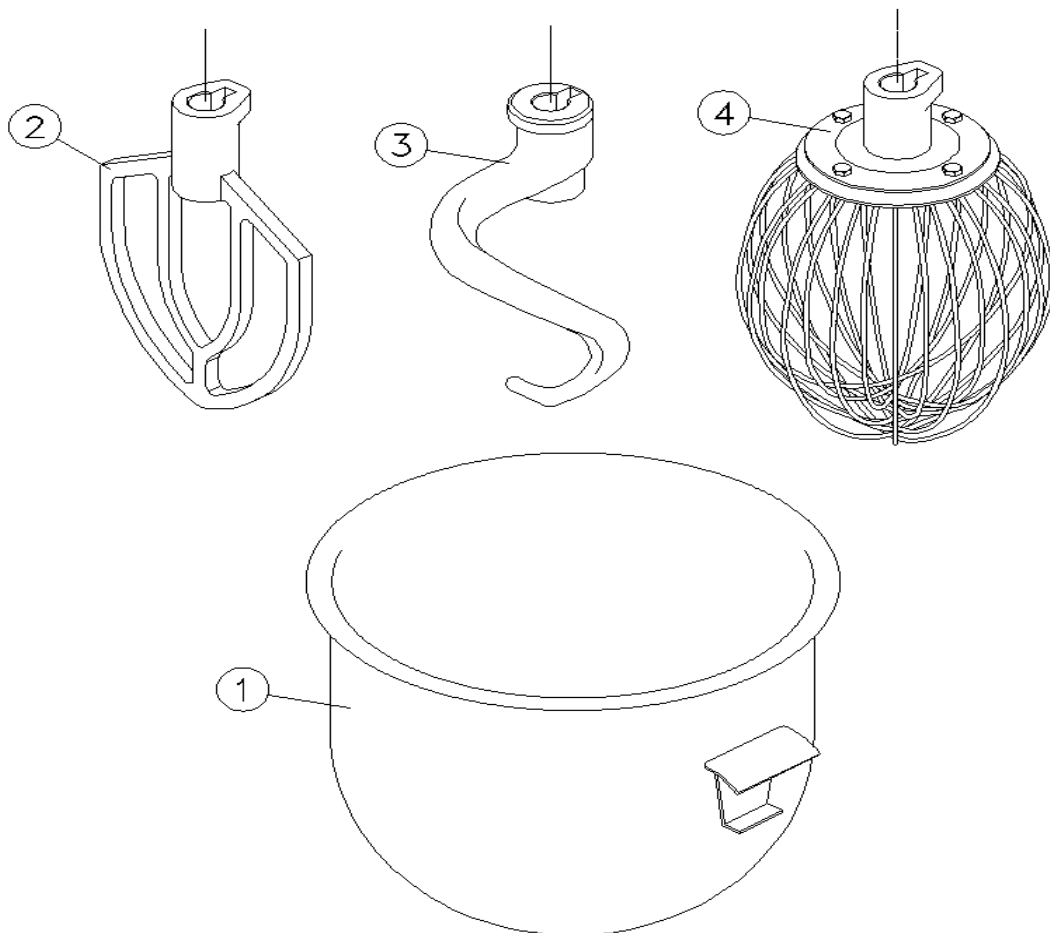
GM12-11-000



	Description or Name	Part No.	Qty
1	Lifting Bar	BM10-11-001	1
2	Fixed Angle Bar	BM10-11-002	1
3	Lifting Handle Bracket	BM10-11-003	1
4	Lift Handle	BM10-11-004	1
5	Compression Spring	BM10-11-005	1
6	Flat Washer 5/16x 23(big)	WB-5/16x 23	2
6A	Flat Washer 5/16x 16(small)	WB-5/16x 16	2
7	Set Screw 5/16*3/8	S-S5/16*3/8	2
8	Spring Pin 3*16	SPP-3*16	1
8A	Spring Pin 3*24	SPP-3*24	1
9	Nut 5/16*18NC	NUT-5/16*18NC	2
10	Mach Screw 1/4*5/8	S+R1/4*5/8	2
11	Spring Washer 1/4"	SW-1/4	2

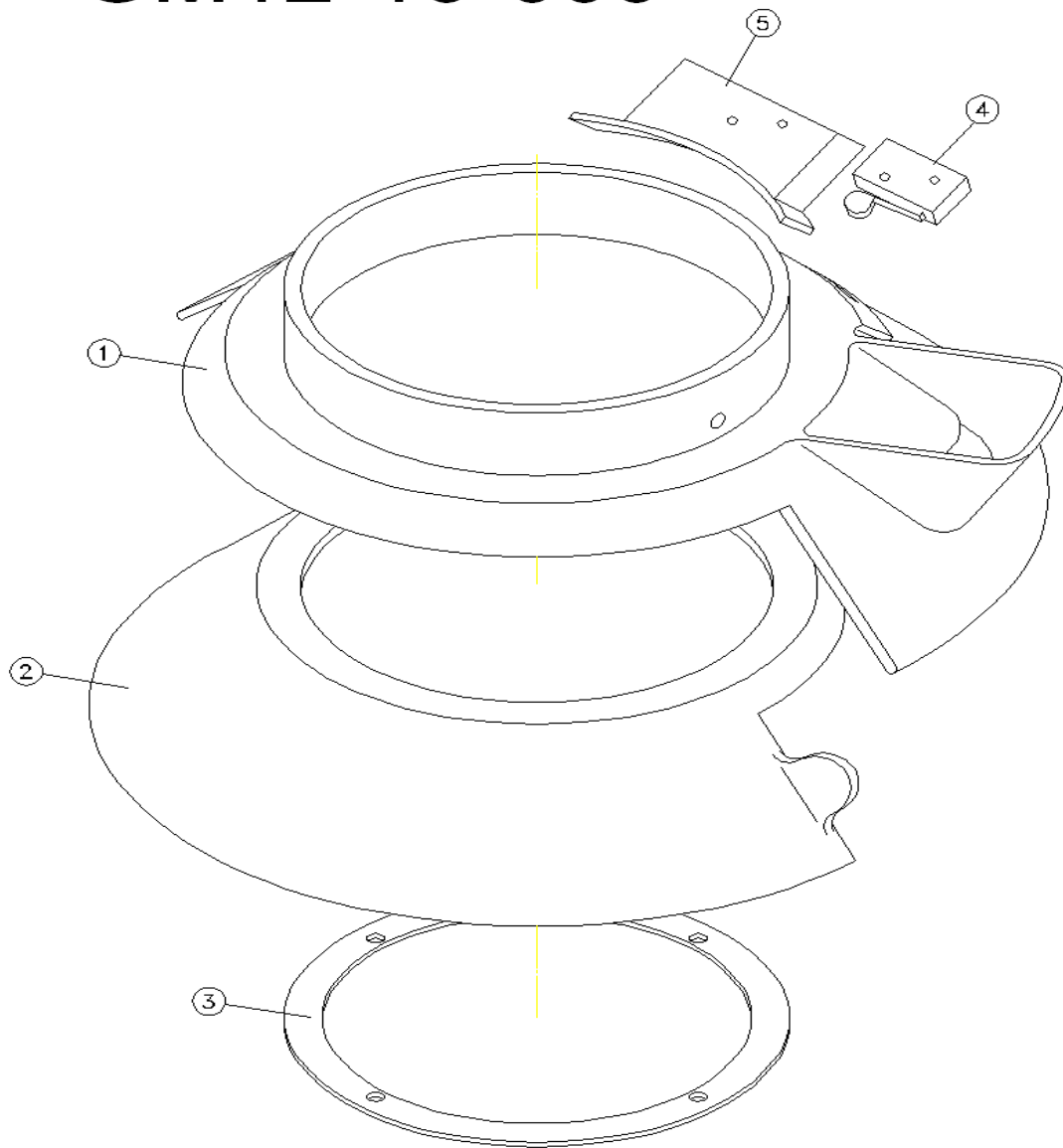
Figure 12. STANDARD ACCESSORIES

GM12-12-000



	Description or Name	Part No.	Qty
1	Bowl	GM12-12-001	1
2	Beater	GM12-12-002	1
3	Spiral Hook	GM12-12-003	1
4	Whip	GM12-12-004	1
4	Whip Seat	BM10-12-004A	1
4	Whip Ring Lid	BM10-12-004B	1

GM12-13-000



	Description or Name	Part No.	Qty
1	Head Ring and Back Cover	GM12-13-001	1
2	Front Cover	GM12-13-002	1
3	Fixed Ring	BM10-13-003	1
4	Limit Switch of Guard	V-155-1A5	1
5	Limit Switch Seat	11007-13-003	1