

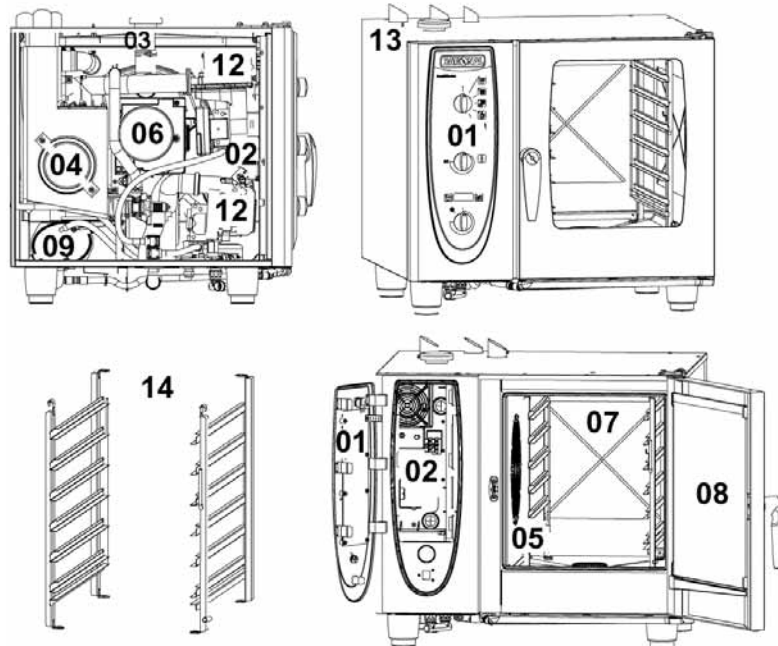
CM 61 G

Valid as of G61ME0404 up to G61ME....

Gas unit

► CM 61 G

Voltage 1 NAC 230V 50-60Hz



Item no.	Part no	Reference	Description
1		►1	Control panel
2		►2	Electrical installation
3		►3	Clima Plus
4		►4	Steam generator, Bypass
5		►5	Hot air heating
6		►6	Motor and fan wheel
7		►7	Interior cabinet
8		►8	Door
9		►9	Water supply, quenching box
12		►12	Gas parts
13		►13	Exterior cabinet
14		►14	Miscellaneous
15		►15	Voltage depending parts

CM 61 G

Gas unit

► Table of contents

Voltage: **1 NAC 230V 50-60Hz**

1	Control panel	3
1.A	Control panel.....	4
2	Electrical installation	5
2.A	- EM CM 061/G 1NAC230V50-60 01/04	6
3	Clima Plus.....	7
4	Steam generator, Bypass	8
4.A	Pump connection	10
4.B	Venting valve for steam generation.....	11
5	Hot air heating	12
5.A	Burner hot air	13
6	Motor and fan wheel	14
7	Interior cabinet	15
7.A	Gasket frame w. glass a. gaskets	16
7.B	Air baffle.....	17
8	Door	18
8.A	Door	19
9	Water supply, quenching box.....	20
12	Gas parts	21
12.A	Gas valve cpl. ND 055 RG130	22
12.B	Gas valve cpl. WND 055 RG130.....	23
13	Exterior cabinet.....	24
13.A	- P-Außenkasten CD 061/G 01/04	25
14	Miscellaneous	27
15	Voltage depending parts.....	28

CM 61 G

Valid as of G61ME0404 up to G61ME....

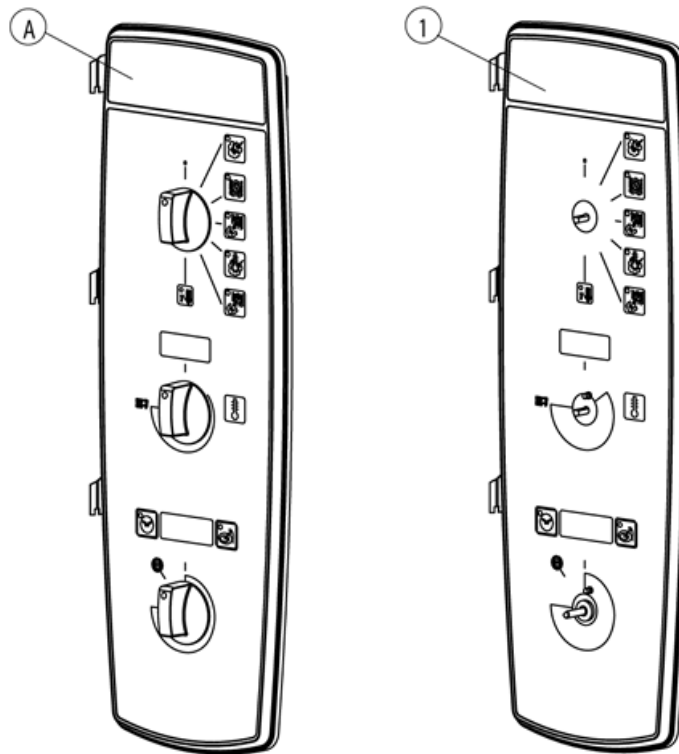
Gas unit

► 1 Control panel

1

1 Control panel

Voltage 1 NAC 230V 50-60Hz



Item no.	Part no	Reference	Description
A		►1.A	Control panel
1	87.00.030		Control panel insert with overlay

Attention! Individual parts shown might not be used in this component group!

► 15* Voltage depending parts shown in chapter 15

CM 61 G

Valid as of G61ME0404 up to G61ME....

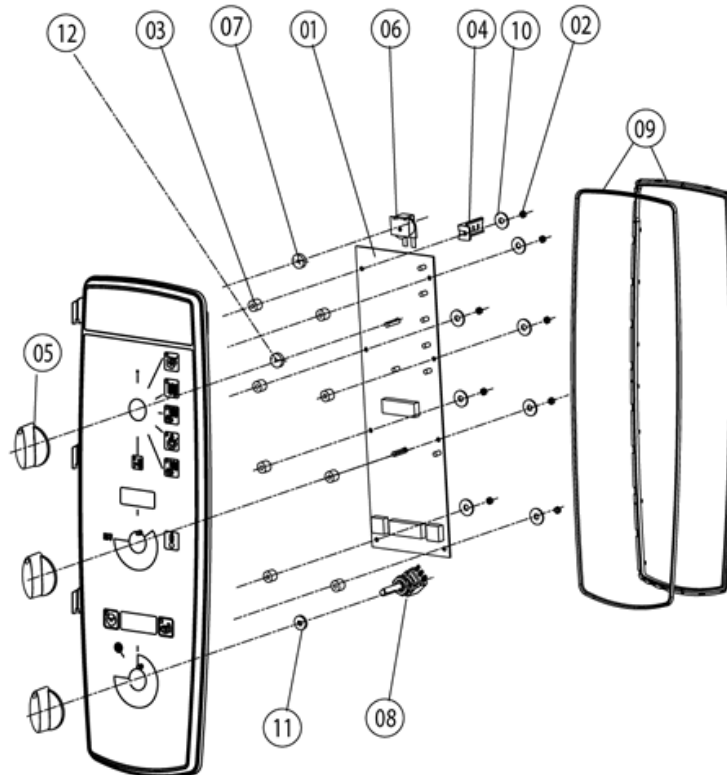
Gas unit

► 1.A Control panel

1

1 Control panel

Voltage 1 NAC 230V 50-60Hz



Item no.	Part no	Reference	Description
1	87.00.139 42.00.047		Control pcb Rev E - Retro-Fit Kit for previous 42.00.004 Control pcb Rev F SN E61MF. . .
2	1104.0121		Hex nut M4 self locking
3	10.00.355		Spacer black
4	2020.0400		Fixing device for cable harness
5	16.00.822		Dial
6	3006.0107		Buzzer
7	5110.1028		Gasket poti hot air, core temperature
8	40.00.464		Potentiometer CT
9	16.00.569		Mounting device f.sealing + sealing lip
10	1306.0218		Washer A4,3
11	5110.1027		Distance plate for front panel
12	5110.1029		Gasket mode switch

Attention! Individual parts shown might not be used in this component group!

► 15* Voltage depending parts shown in chapter 15

CM 61 G

Valid as of G61ME0404 up to G61ME....

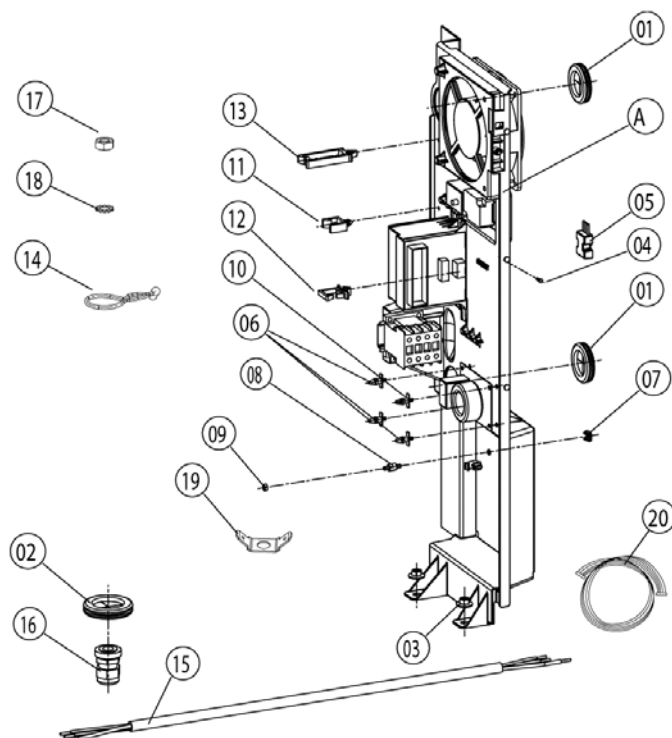
Gas unit

► 2 Electrical installation

2

2 Electrical installation

Voltage 1 NAC 230V 50-60Hz



Item no.	Part no	Reference	Description
A	_40.00.504	►2.A	- EM CM 061/G 1NAC230V50-60 01/04
1	4007.0620		Membrane DGC 29
2	4007.0621		Membrane DGC 36
3	1106.0803		Hex combination nut M6 galv
4	10.00.239		EJOT PT-Screw Torx 4x10
5	42.00.007		External memory
6	40.00.417		Fixing clip f. pcb
7	1104.0801		Cage nut M4
8	10.00.243		Spacer M4x8
9	1104.0120		Hex nut M4
10	40.01.579		- Platinenhalteclip 61-202 m. Nase 01/04
11	10.00.112		Cable clip short
12	10.00.421		Cable clip
13	10.00.111		Cable clip long
14	10.00.471		Cable clip d10-12mm
15	40.01.596		Power supply cable 3x2,5mm ² 3m
16	40.00.320		Cable connection M20x1.5
17	1106.0160		Hex nut M6
18	1206.0120		Tooth lock washer A6,4
19	4002.0110		Cable connector, junction
20	40.00.472		Bus cable 1.3m
20	40.01.091		Bus cable 0.4m
--	42.00.030		- Memory-Stick CM 01/04

Attention! Individual parts shown might not be used in this component group!

► 15* Voltage depending parts shown in chapter 15

CM 61 G

Valid as of G61ME0404 up to G61ME....

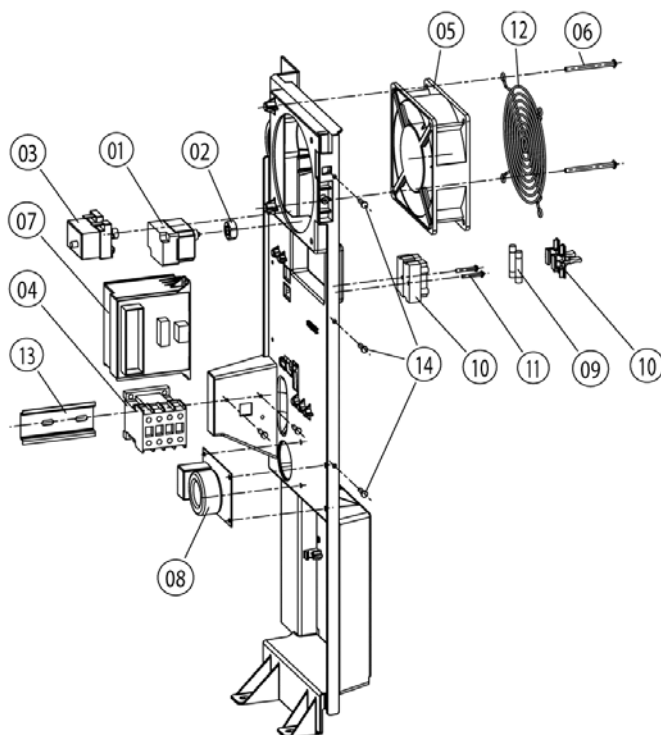
Gas unit

► 2.A - EM CM 061/G 1NAC230V50-60 01/04

2

2 Electrical installation

Voltage 1 NAC 230V 50-60Hz



Item no.	Part no	Reference	Description
1	3014.0328		Dry up protector 275°F/135°C
2	3014.0302		Hex nut M10 for dry-up protector
3	40.01.482		- Sicherheitstemperaturbegr.365°61/G 1/04
4	3014.0327		Hex nut M10x1,0
5	40.00.451		Contacteur MC1A 310 AH6
6	3101.1008		Cooling fan
7	10.00.238		Screw Torx 4x50
8	40.00.278		Halogen transformer Rev E with control board 42.00.004
	40.00.277		Control Transformer Rev F with control board 42.00.047
9	40.01.483		Electronic noise filter
10	4001.0224		Fuse 6.35x32mm
11	4001.1295		Fuse holder e 1003Si/1DS
12	10.00.240		Screw Torx 3x20
13	2005.0106		Protective grid for cooling fan
14	40.00.519		Installation rail for Contactor 75mm
15	10.00.239		EJOT PT-Screw Torx 4x10
16	4001.1203		End plate for mounting rail
17	10.00.111		Cable clip long
18	40.01.484		Cable burner blower
18	40.00.212		Cable buzzer
18	40.00.216		Cable control harness
18	40.00.230		Cable gas valve
18	40.00.205		Cable level electrode
18	40.00.219		Cable SC pump
18	40.00.236		Cable solenoid valve

Attention! Individual parts shown might not be used in this component group!

► 15* Voltage depending parts shown in chapter 15

CM 61 G

Valid as of G61ME0404 up to G61ME....

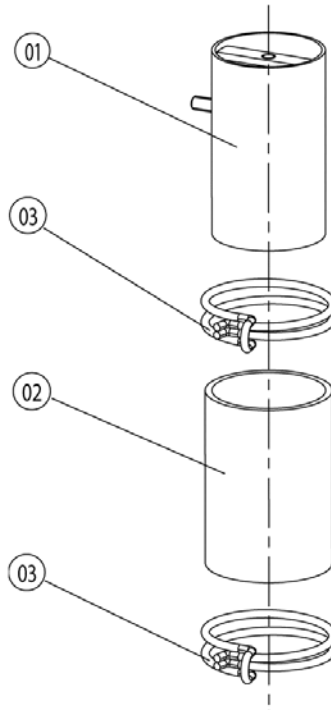
Gas unit

► 3 Clima Plus

3

3 Clima Plus

Voltage 1 NAC 230V 50-60Hz



Item no.	Part no	Reference	Description
1	22.00.324		Safety valve
2	22.00.174		Hose d50x83
3	2066.0531		Hose clamp ø56

Attention! Individual parts shown might not be used in this component group!

► 15* Voltage depending parts shown in chapter 15

CM 61 G

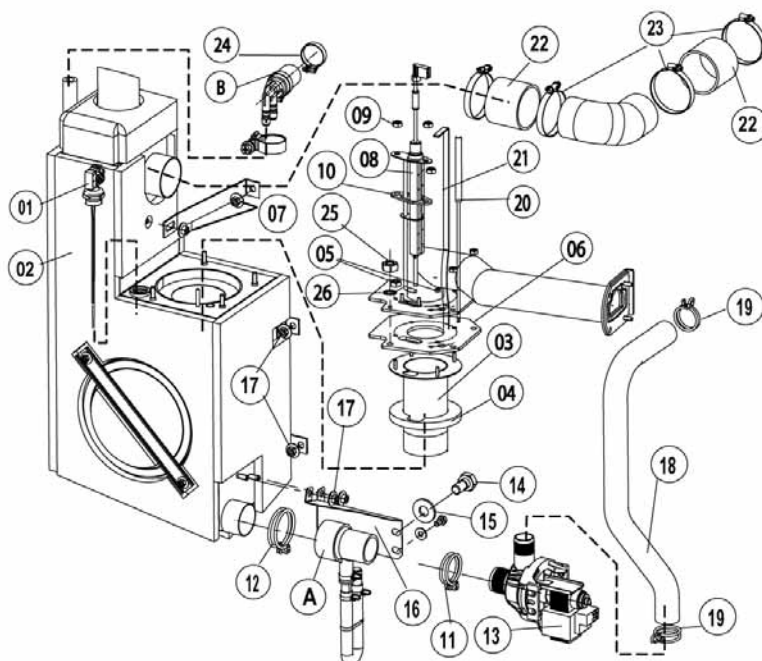
Valid as of G61ME0404 up to G61ME....

Gas unit

► 4 Steam generator, Bypass

4

4 Steam generator, Bypass Voltage 1 NAC 230V 50-60Hz



Item no.	Part no	Reference	Description
A	_8354.1320	►4.A	Pump connection
B	8354.1304	►4.B	Venting valve for steam generation
1	44.00.253		Filling level electrode 85mm
2	44.00.182		Steam generator insolated
3	72.00.003		Burner steam gen.
4	72.00.048		Insulation f. burner steam gen.
5	1104.0122		Hex combination nut M4 galv
6	72.00.020		Gasket f. burner carrier
7	1105.0121		Hex combination nut M5 galv
8	44.00.251		Ignition electrode steam generator
9	1104.0120		Hex nut M4
10	44.00.250		Gasket f. ignition electrode
11	2066.0519		Hose clamp 35,6mm
12	2066.0526		Hose clamp ø46mm
13	44.00.207		Emptying pump
14	1006.0762		Hex screw M6x10
15	1306.0222		Washer A6.4x15x1.5
16	44.00.226		Fixing device f. pump steam generator
17	1106.0803		Hex combination nut M6 galv
18	44.00.234		Drain hose steam generator
19	2066.0518		Hose clamp 30mm
20	40.01.094		Thermocouple steam gen. (B5)
21	44.00.516		Fixing plate steam generator thermostat
22	2112.1006		Steam hose 50x7mm
23	2066.0504		Hose clamp 40-60mm
24	2066.0506		Hose clamp 20-32mm

Attention! Individual parts shown might not be used in this component group!

► 15* Voltage depending parts shown in chapter 15

CM 61 G

Valid as of G61ME0404 up to G61ME....

Gas unit

▶ 4 Steam generator, Bypass

4

4 Steam generator, Bypass Voltage 1 NAC 230V 50-60Hz

Item no.	Part no	Reference	Description
25	1105.0120		Hex nut M5
26	1205.0120		Tooth lock washer A5,3

Attention! Individual parts shown might not be used in this component group!

▶ 15* Voltage depending parts shown in chapter 15

CM 61 G

Valid as of G61ME0404 up to G61ME....

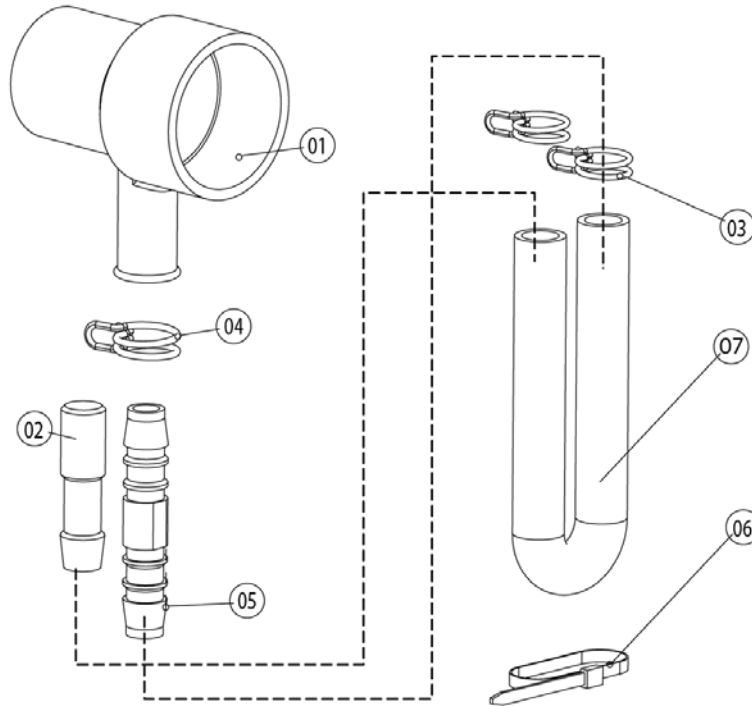
Gas unit

► 4.A Pump connection

4

4 Steam generator, Bypass

Voltage 1 NAC 230V 50-60Hz



Item no.	Part no	Reference	Description
1	2118.1000		Pump connection spout
2	2120.1259		Stop plug 10mm
3	2066.0527		Hose clamp \varnothing 14mm
4	2066.0530		Hose clamp \varnothing 16.4mm
5	2062.0331		Junction pressure hose GS 10
6	4005.0101		Tie rap 145 mm
7	2110.1008		Silicon hose \varnothing 10x2mm

Attention! Individual parts shown might not be used in this component group!

► 15* Voltage depending parts shown in chapter 15

CM 61 G

Valid as of G61ME0404 up to G61ME....

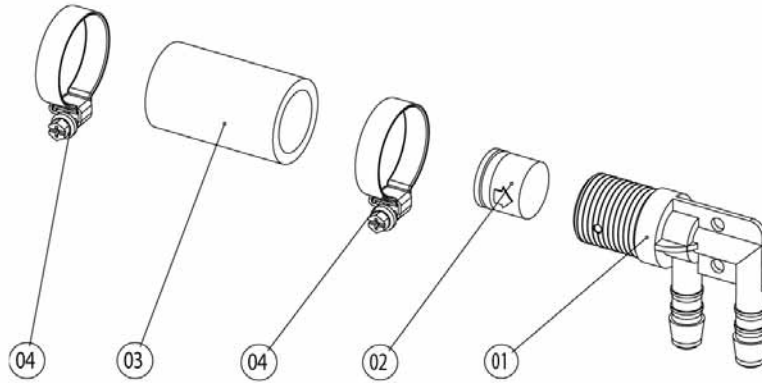
Gas unit

► 4.B Venting valve for steam generation

4

4 Steam generator, Bypass

Voltage 1 NAC 230V 50-60Hz



Item no.	Part no	Reference	Description
1	2062.0332		Receptacle for ventilation valve SG
2	2069.0108		Ventilation valve
3	2112.1310		Form hose for ventilation of steam generator
4	2066.0506		Hose clamp 20-32mm

Attention! Individual parts shown might not be used in this component group!

► 15* Voltage depending parts shown in chapter 15

CM 61 G

Valid as of G61ME0404 up to G61ME....

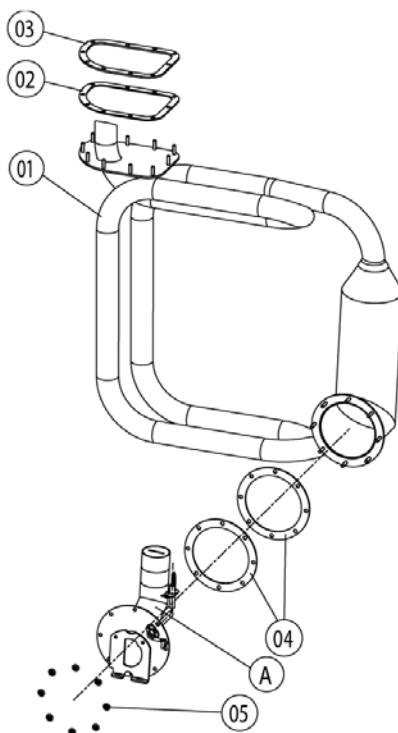
Gas unit

► 5 Hot air heating

5

5 Hot air heating

Voltage 1 NAC 230V 50-60Hz



Item no.	Part no	Reference	Description
A	74.00.276	►5.A	Burner hot air
1	74.00.134		Hot air heat exchanger
2	74.00.234		Gasket hot air heat exchanger/interior cabinet
3	74.00.313		Mating flange heat exchanger
4	74.00.296		Gasket f. heat exchanger below
5	1105.0122		Hex combination nut M5 V2A

Attention! Individual parts shown might not be used in this component group!

► 15* Voltage depending parts shown in chapter 15

CM 61 G

Valid as of G61ME0404 up to G61ME....

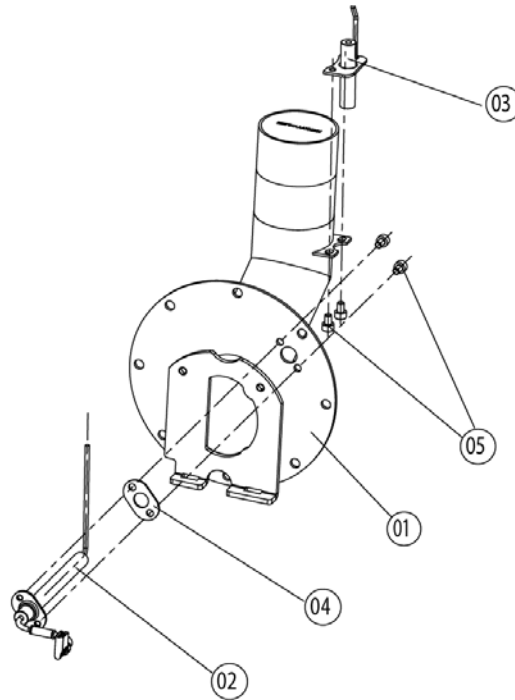
Gas unit

► 5.A Burner hot air

5

5 Hot air heating

Voltage 1 NAC 230V 50-60Hz



Item no.	Part no	Reference	Description
1	74.00.340		Burner welded hot air
2	74.00.230		Ignitionelectrode1 f. hot air
3	74.00.235		Ignitionelectrode2 f. hot air
4	74.00.290		Gasket electrode hot air
5	10.00.060		Pan head screw Torx M4x6

Attention! Individual parts shown might not be used in this component group!

► 15* Voltage depending parts shown in chapter 15

CM 61 G

Valid as of G61ME0404 up to G61ME....

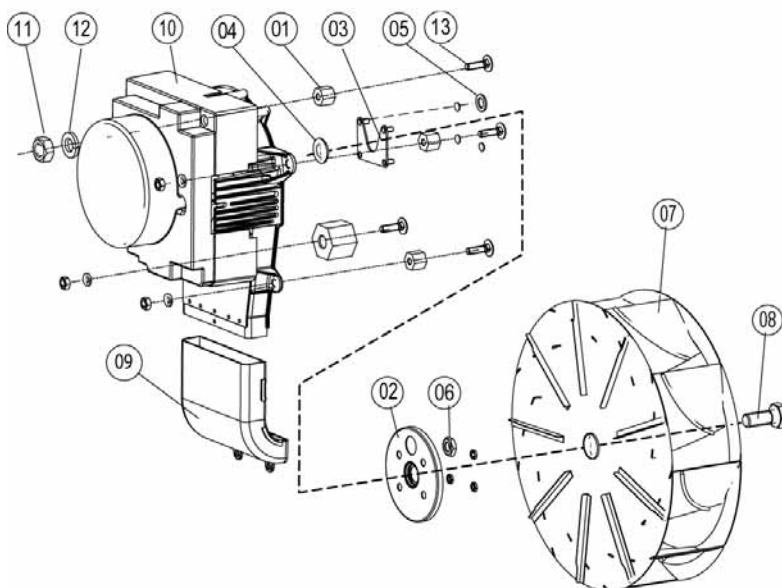
Gas unit

► 6 Motor and fan wheel

6

6 Motor and fan wheel

Voltage 1 NAC 230V 50-60Hz



Item no.	Part no	Reference	Description
1	2120.1306		Spacer SW19x17
2	22.00.123		Flange f. motor shaft gasket
3	22.00.120		Mounting support f. gasket flange
4	22.00.083		Motor shaft gasket
5	1315.0101		Copper washer 6x10
6	1106.0220		Hex nut M6 flat
7	22.00.188		Fan wheel d340x110
8	10.00.565		Hex screw M8x20
9	40.00.310		Exhaust pipe below
10	40.00.274		Fan motor
11	1108.0260		Hex nut M8
12	1208.0260		Spring washer B8
13	1008.1005		Square necked mushroom head bolt 8x40

Attention! Individual parts shown might not be used in this component group!

► 15* Voltage depending parts shown in chapter 15

CM 61 G

Valid as of G61ME0404 up to G61ME....

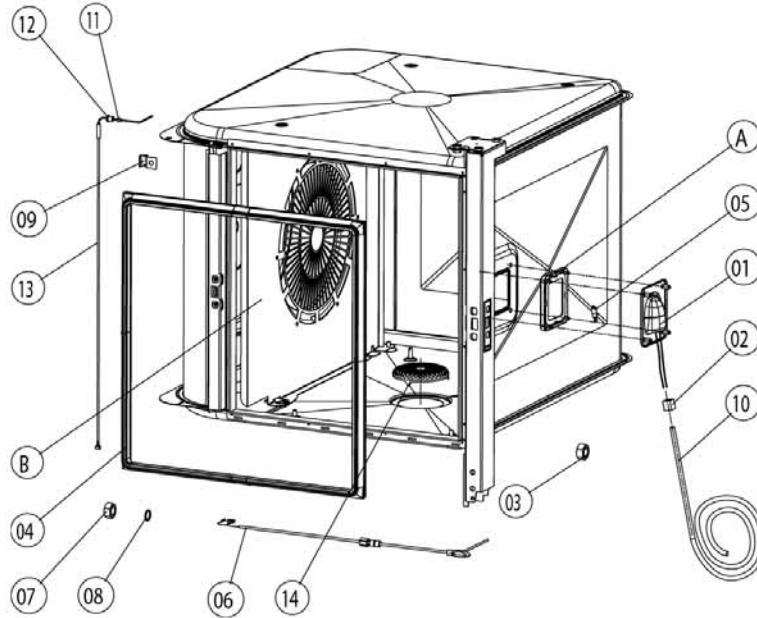
Gas unit

► 7 Interior cabinet

7

7 Interior cabinet

Voltage 1 NAC 230V 50-60Hz



Item no.	Part no	Reference	Description
A	40.00.091	►7.A	Gasket frame w. glass a. gaskets
B	22.00.293	►7.B	Air baffle
1	40.00.098		Reflector f. interior light
2	4001.1248		Porcelain connector 2-pin interior light
3	10.00.070		Hex nut M6
4	20.00.394		Door gasket
5	3024.0201		Halogen bulb for interior cabinet
6	40.00.296		Meat probe sensor
7	10.00.422		Hex nut M16
8	1315.0104		Copper washer 16x20x1,5
9	2760.1089		Guide bush for core temperatur sensor
10	40.00.222		Wiring interior light
11	3014.0162		Sealing cone for thermocouple
12	3014.0163		Gasket sleeve with nipple
13	40.01.097		Thermocouple interior cabinet (B1)
14	2005.0308		Outlet sieve

Attention! Individual parts shown might not be used in this component group!

► 15* Voltage depending parts shown in chapter 15

CM 61 G

Valid as of G61ME0404 up to G61ME....

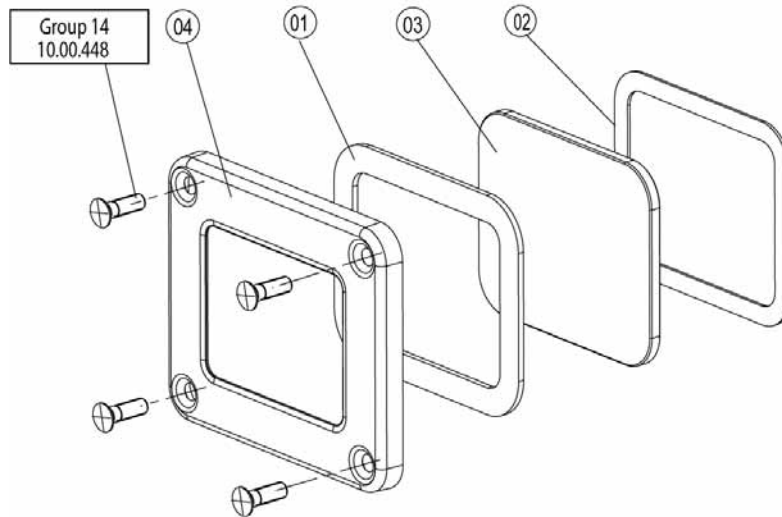
Gas unit

► 7.A Gasket frame w. glass a. gaskets

7

7 Interior cabinet

Voltage 1 NAC 230V 50-60Hz



Item no.	Part no	Reference	Description
1	40.00.093		Outer gasket f. interior light
2	40.00.094		Inner gasket f. interior light
3	40.00.095		Glass pane f. interior light
4	40.00.096		Gasket frame f. interior light

Attention! Individual parts shown might not be used in this component group!

► 15* Voltage depending parts shown in chapter 15

CM 61 G

Valid as of G61ME0404 up to G61ME....

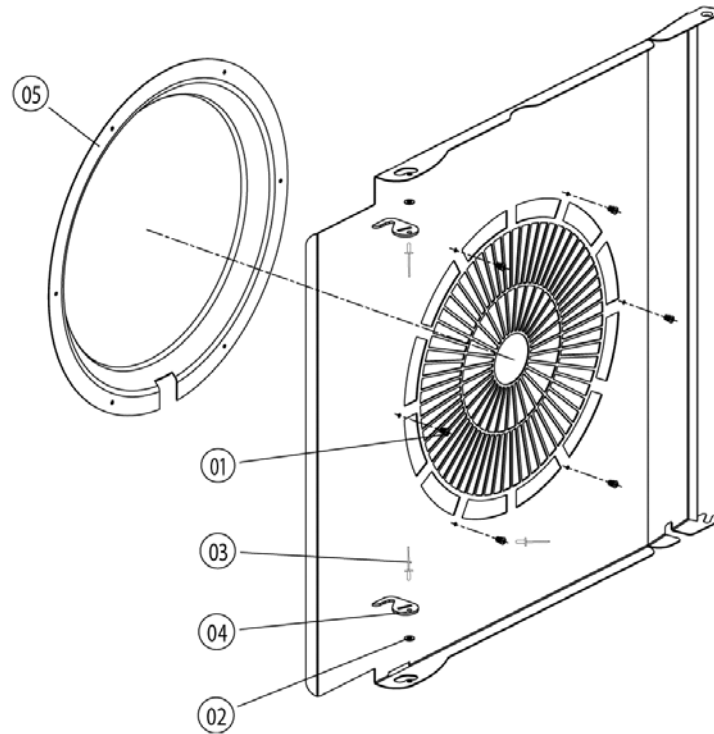
Gas unit

► 7.B Air baffle

7

7 Interior cabinet

Voltage 1 NAC 230V 50-60Hz



Item no.	Part no	Reference	Description
1	1603.0168		Rivet 3,2x8 A4
2	1304.0160		Washer A4,3
3	1604.0167		Rivet 4x10
4	22.00.332		Air sucking ring f. air baffle
5	2760.1370		Latch hook for air baffle

Attention! Individual parts shown might not be used in this component group!

► 15* Voltage depending parts shown in chapter 15

CM 61 G

Valid as of G61ME0404 up to G61ME....

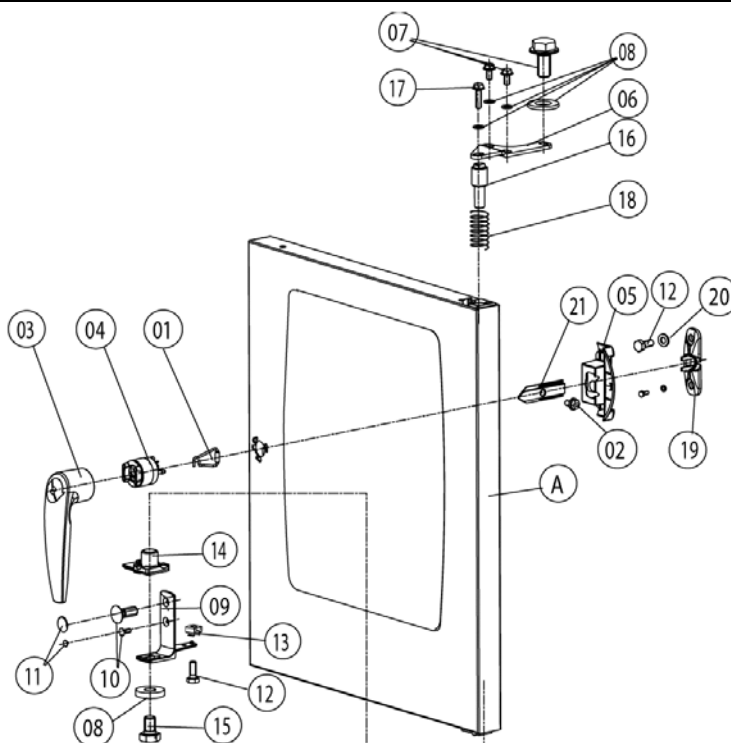
Gas unit

► 8 Door

8

8 Door

Voltage 1 NAC 230V 50-60Hz



Item no.	Part no	Reference	Description
A	24.00.088	►8.A	Door
1	24.00.506		Spring clip f. door lock
2	1005.2000		Interlocking tooth screw M5x8
3	24.00.153		Door handle
4	24.00.176		Door lock
5	24.00.504		Lock cover
6	24.00.133		Door mounting support top
7	1008.0768		Ornamental screw M8x16
8	1308.0160		Washer A8,4
9	24.00.223		Door mounting support bottom
10	1006.1962		Countersunk screw Torx M6x16
11	10.00.090		Cap f. Torx T30
12	1006.0760		Hex screw M6x16
13	1106.0802		Cage nut M6
14	24.00.137		Door bolt
15	10.00.099		Hex screw M8x12
16	24.00.048		Door bolt
17	1008.0769		Ornamental screw M8x30
18	2001.0109		Compression spring
19	24.00.141		Holding bracket f. door catch
20	1306.0120		Washer A6,4
21	24.00.142		Door catch

Attention! Individual parts shown might not be used in this component group!

► 15* Voltage depending parts shown in chapter 15

CM 61 G

Valid as of G61ME0404 up to G61ME....

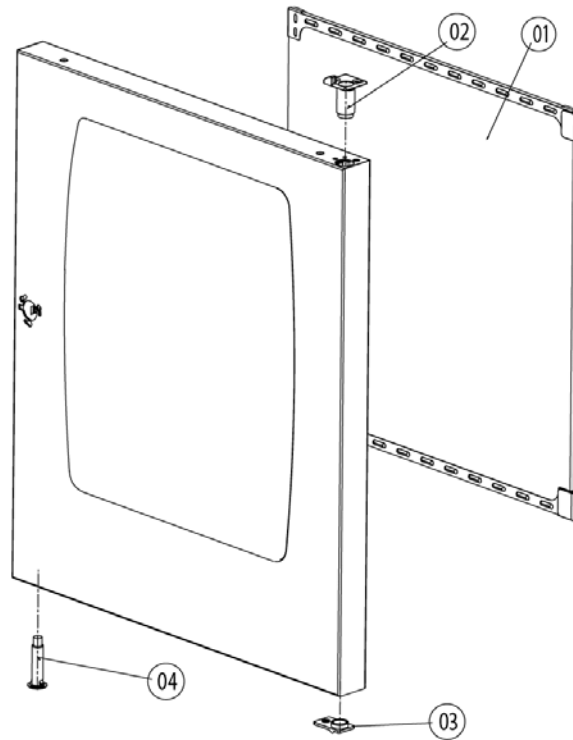
Gas unit

► 8.A Door

8

8 Door

Voltage 1 NAC 230V 50-60Hz



Item no.	Part no	Reference	Description
1	24.00.163		Inner door pane
2	24.00.147		Sleeve for door bolt top
3	24.00.146		Door setting bolt
4	24.00.502		Fixing device f. magnet

Attention! Individual parts shown might not be used in this component group!

► 15* Voltage depending parts shown in chapter 15

CM 61 G

Valid as of G61ME0404 up to G61ME....

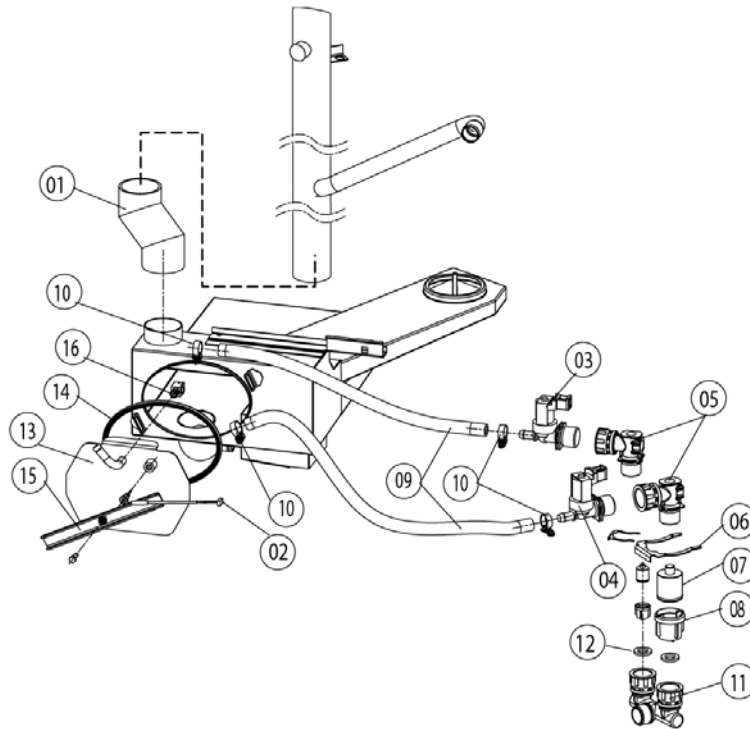
Gas unit

► 9 Water supply, quenching box

9

9 Water supply, quenching box

Voltage 1 NAC 230V 50-60Hz



Item no.	Part no	Reference	Description
1	54.00.086		Rubber form piece venting pipe
2	40.00.287		Thermocouple quenching
3	50.00.316		Single solenoid valve
4	50.00.139		Single solenoid valve
5	50.00.071		Water distribution hor. w/o roll guide con.
6	50.00.086		Locking plate f. water distribution
7	50.00.078		Non return valve DW16/DN12
8	1900.0202		Water filter
9	2067.0050		Pressure hose d10mm
10	2066.0205		Hose clamp 8-16x9 mm SW 7mm
11	8664.1301		T-fitting water connection
12	5110.1024		Gasket for G3/4" threaded joint
13	54.00.228		Inspection lid f. quenching chamber
14	5012.0566		Gasket quenching chamber O-ring
15	54.00.225		Clamping bar
16	2016.0915		Quenching nozzle top

Attention! Individual parts shown might not be used in this component group!

► 15* Voltage depending parts shown in chapter 15

CM 61 G

Valid as of G61ME0404 up to G61ME....

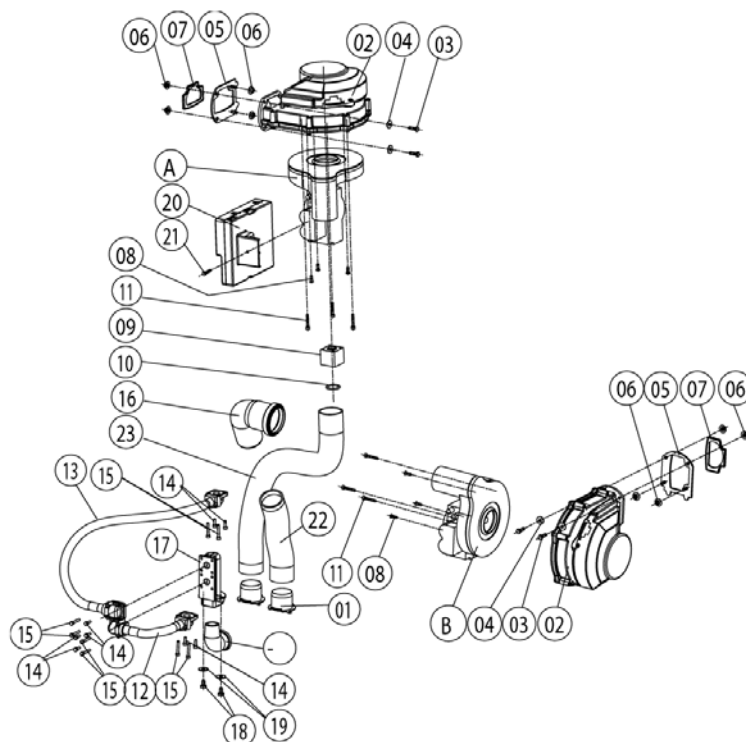
Gas unit

► 12 Gas parts

12

12 Gas parts

Voltage 1 NAC 230V 50-60Hz



Item no.	Part no	Reference	Description
A	70.00.033	►12.A	Gas valve cpl. ND 055 RG130
B	70.00.029	►12.B	Gas valve cpl. WND 055 RG130
1	70.00.221		Air hose fixing device 40mm
2	70.00.028		Blower for burner RG130
3	1008.0750		Hex screw M5x16
4	1305.0160		Washer A5,3 x 10 mm
5	74.00.310		Flange f. burner blower RG130
6	1105.0122		Hex combination nut M5 V2A
7	74.00.301		Gasket f. blower burner
8	10.00.065		Countersunk screw Torx T20 M4x12
9	70.00.069		Spacer sleeve f. gas burner blower
10	70.00.262		O-ring 21.89x2.62
11	10.00.064		Pan head screw Torx T20 M4x30
12	70.00.132		Corrugated hose 110mm
13	70.00.090		Corrugated hose 580mm
14	10.00.061		Pan head screw Torx T20 M4x12
15	10.00.063		Pan head screw Torx T20 M4x25
16	70.00.301		Combustion air angle pipe hot air
17	74.00.308		Gas connection manifold 2x3/4"
18	1006.0762		Hex screw M6x10
19	1306.0222		Washer A6.4x15x1.5
20	74.00.221		Automatic ignition controller
21	10.00.062		Pan head screw Torx T20 M4x20
22	70.00.094		Air hose D40x200mm
23	70.00.093		Air hose D40x650mm

Attention! Individual parts shown might not be used in this component group!

► 15* Voltage depending parts shown in chapter 15

CM 61 G

Valid as of G61ME0404 up to G61ME....

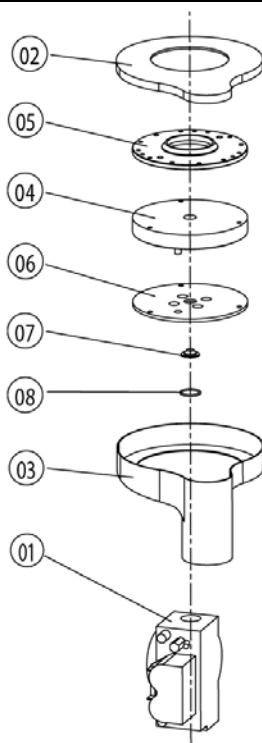
Gas unit

► 12.A Gas valve cpl. ND 055 RG130

12

12 Gas parts

Voltage 1 NAC 230V 50-60Hz



Item no.	Part no	Reference	Description
1	70.00.220		Gas valve
2	70.00.255		Premix chamber cover gas f. RG130
3	70.00.030		Premix chamber gas f. RG130
4	70.00.106		Premix disc gas
5	70.00.256		Disc premix chamber-blower RG130
6	70.00.108		Disc gas valve-premix chamber
7	70.00.260		Gas nozzle 7mm
8	70.00.261		O-ring 17x1.5

Attention! Individual parts shown might not be used in this component group!

► 15* Voltage depending parts shown in chapter 15

CM 61 G

Valid as of G61ME0404 up to G61ME....

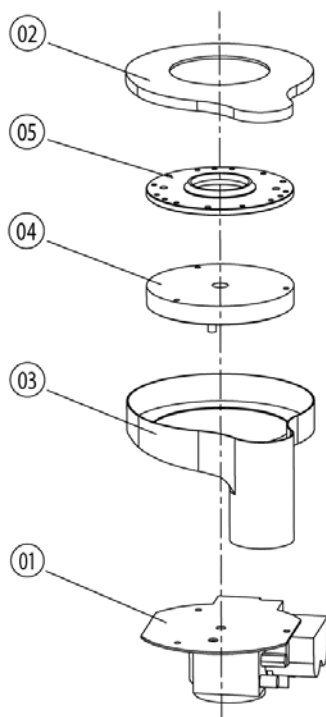
Gas unit

► 12.B Gas valve cpl. WND 055 RG130

12

12 Gas parts

Voltage 1 NAC 230V 50-60Hz



Item no.	Part no	Reference	Description
1	70.00.031		Gas valve
2	70.00.255		Premix chamber cover gas f. RG130
3	70.00.030		Premix chamber gas f. RG130
4	70.00.106		Premix disc gas
5	70.00.256		Disc premix chamber-blower RG130

Attention! Individual parts shown might not be used in this component group!

► 15* Voltage depending parts shown in chapter 15

CM 61 G

Valid as of G61ME0404 up to G61ME....

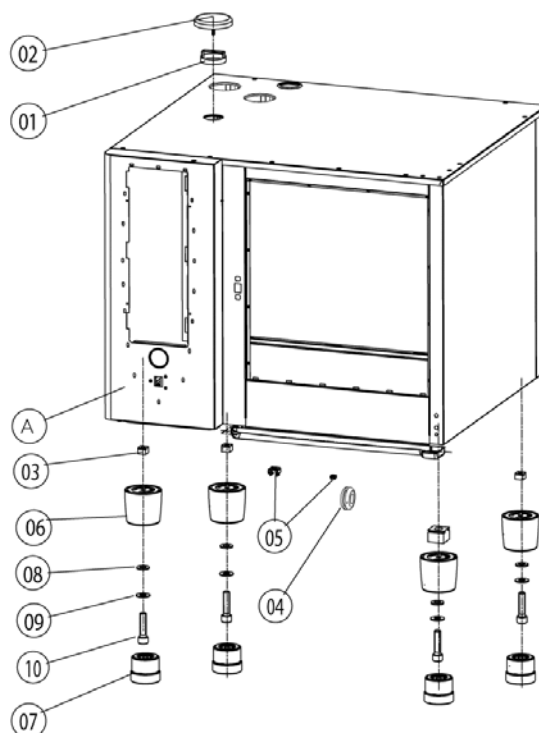
Gas unit

► 13 Exterior cabinet

13

13 Exterior cabinet

Voltage 1 NAC 230V 50-60Hz



Item no.	Part no	Reference	Description
A	_16.00.374	►13.A	- P-Außenkasten CD 061/G 01/04
1	8450.1310		Spacer ring
2	8455.1209		Vent cover
3	1110.0800		Cage nut M10
4	2022.0101		Grommet 18 mm
5	1106.0802		Cage nut M6
6	12.00.205		Upper part of pedestal
7	12.00.206		Lower part of pedestal
8	1310.0160		Washer A10,5
9	1328.0102		Safety washer A10,2
10	10.00.107		Allen screw M10x30

Attention! Individual parts shown might not be used in this component group!

► 15* Voltage depending parts shown in chapter 15

CM 61 G

Valid as of G61ME0404 up to G61ME....

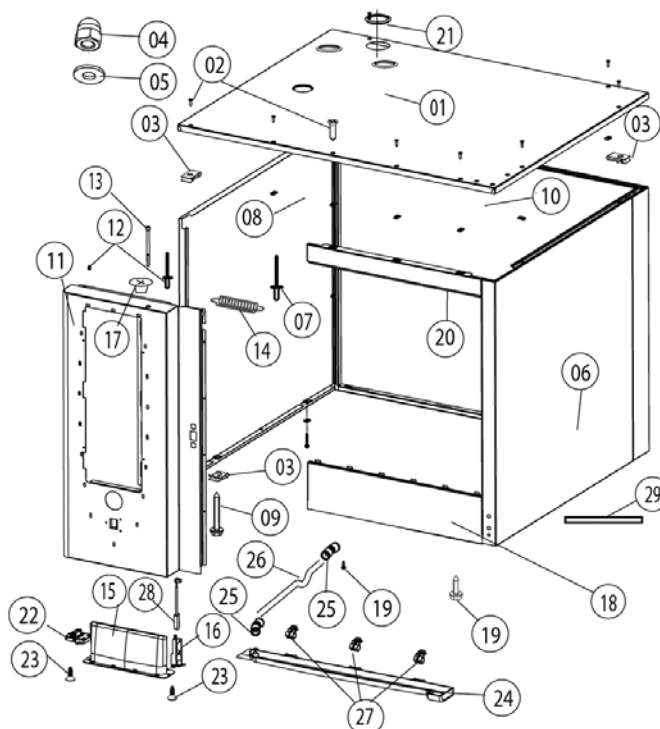
Gas unit

► 13.A - P-Außenkasten CD 061/G 01/04

13

13 Exterior cabinet

Voltage 1 NAC 230V 50-60Hz



Item no.	Part no	Reference	Description
1	16.00.273		Top cover
2	1003.2265		Countersunk self tapping screw 4,2x16
3	1104.0820		Snap nut 4.2mm
4	1105.0260		Cap nut M5, high shape
5	1305.0160		Washer A5,3 x 10 mm
6	16.00.135		Side panel right
7	1603.0166		Rivet 3.2x7,9, CNS closed
8	16.00.136		Side panel left
9	10.00.102		Hex self tapping screw 4,2x32
10	16.00.187		Back panel
11	16.00.614		Front panel
12	1603.0161		Rivet 3,2x6
13	10.00.069		Slotted pan head screw M6x90
14	2002.0107		Tension spring for front panel
15	16.00.673		Air inlet filter
16	16.00.384		Bracket for door contact switch
17	2039.0331		Cap for service door
18	16.00.181		Crossbar below
19	1004.2160		Hex self tapping screw 4,2x16
20	16.00.180		Crossbar top
21	5105.1027		Gasket f. exhaust pipe d=54mm
22	16.00.360		Cover f. RS232 interface
23	10.00.103		EJOT PT-screw KA 3.5x10
24	50.00.286		Drip collector
25	50.00.303		Bushing drip collector
26	50.00.299		Drain drip collector

Attention! Individual parts shown might not be used in this component group!

► 15* Voltage depending parts shown in chapter 15

CM 61 G

Valid as of G61ME0404 up to G61ME....

Gas unit

▶ 13.A - P-Außenkasten CD 061/G 01/04

13

13 Exterior cabinet

Voltage 1 NAC 230V 50-60Hz

Item no.	Part no	Reference	Description
27	50.00.296		Clip f. drip collector
28	40.00.454		Door switch 1.65m
29	16.00.338		Edge protection profile

Attention! Individual parts shown might not be used in this component group!

▶ 15* Voltage depending parts shown in chapter 15

CM 61 G

Valid as of G61ME0404 up to G61ME....

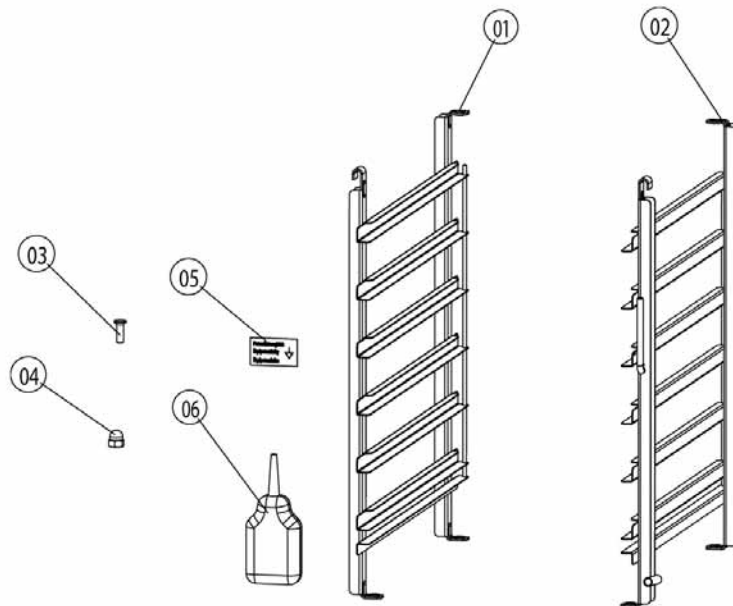
Gas unit

► 14 Miscellaneous

14

14 Miscellaneous

Voltage 1 NAC 230V 50-60Hz



Item no.	Part no	Reference	Description
1	60.61.016		Hinging rack left
2	60.61.017		Hinging rack right
3	10.00.448		Phillips countersunk-head screw M5x16
4	1106.0360		Cap nut M6, high shape
5	2049.0817		Sticker, Equipotential bonding
6	5006.0202		Loctite IS 495

Attention! Individual parts shown might not be used in this component group!

► 15* Voltage depending parts shown in chapter 15

CM 61 G

Valid as of up to

Gas unit

▶ **15 Voltage depending parts**

0

0 Voltage depending parts

Voltage 1 NAC 230V 50-60Hz

Item no.	Part no	Reference	Description
----------	---------	-----------	-------------

Attention! Individual parts shown might not be used in this component group!

▶ 15* Voltage depending parts shown in chapter 15

xxxx

0 xxxx

0

Elektrogeräte

▶ **0 xxxx**

0

Gültig von
xxxx

bis:
xxxx

Spannung: **xxxx**

Attention! Individual parts shown might not be used in this component group!

▶ 15* Voltage depending parts shown in chapter 15