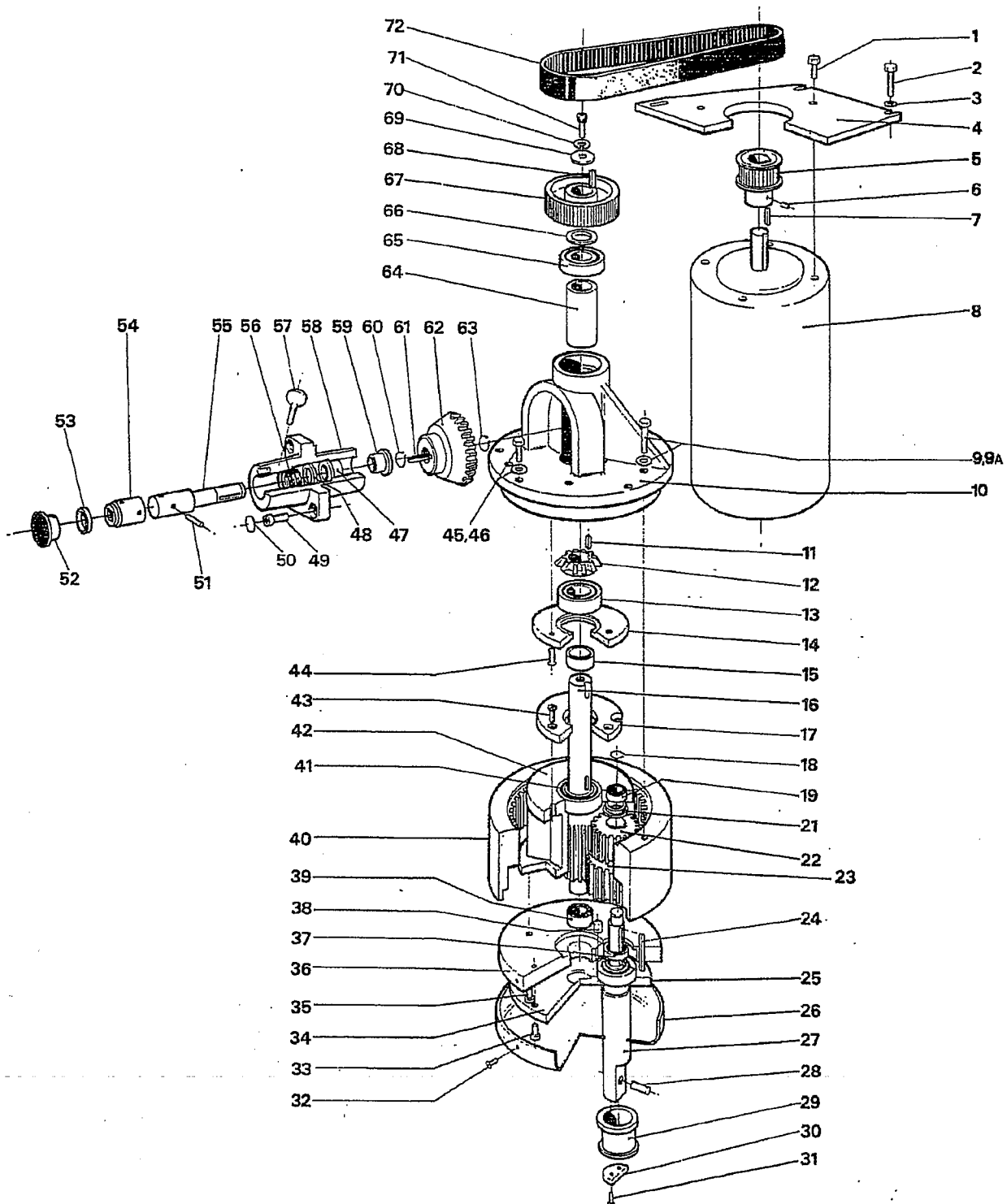


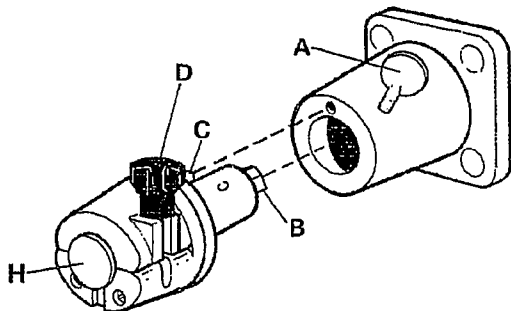
ED12/ER20 OVERNIGHTLY OPERATOR

ED12/ER20 SPARE PARTS

### Planetary and Drive Assembly

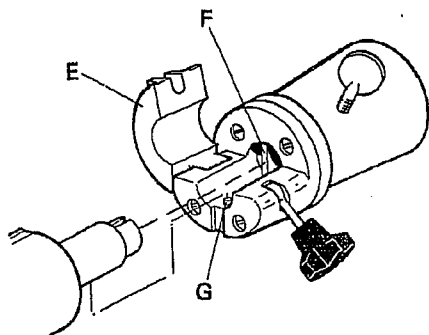


The adaptor is necessary when using Dito-Sama attachments with the ED12/EF20 Mixers.



**Fitting Adaptor to Mixer**

Switch the mixer off at the supply before fitting the adaptor. Release thumbscrew (A) on the attachment hub and slide the adaptor shaft into the hub ensuring that the tongue (B) engages in the socket within the hub. Rotate the adaptor from side to side to engage the driving gears and line up the locating peg (C) with its mating hole in the hub. Push firmly home and tighten thumbscrew (A) to secure the adaptor in position.



**Fitting Attachments**

Release the black locking knob (D) and disengage it from the upper half shell (E). Swing back the upper half shell and insert the attachment so that the drive tongue (F) engages with the slot in the attachment shaft. Rotate the attachment a little to engage the peg (G) in the lower half shell with the hole in the underside of the attachment. Reposition the upper half shell and secure in place with the thumbscrew.

Fig 6

**EQUIPMENT**

The ED12 mixer is supplied with one 12 qt. (12 litre) capacity stainless steel bowl together with a whisk, dough hook and beater. The EF20 comes with a 20 qt. (20 litre) capacity stainless steel bowl complete with the three tools.

The equipment is interchangeable between the two mixers, so that an ED12 owner can increase the capacity of his machine by purchasing the 20 qt. bowl and tools. Equally the EF20 can be used to process smaller quantities by obtaining a 12 qt. bowl and tools. **Note:** Tools and bowl must be equally sized, 12 qt. tools cannot be used in a 20 qt. bowl and vice versa.

Also available as optional extras are an extension rim, to prevent splashing and spillage, a stand which securely supports the mixer at a convenient working height, a receiving tray for use with attachments and a pastry knife.







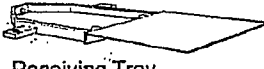
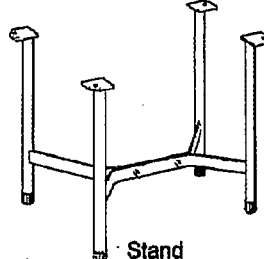
Equipment	Part No.	
	12 qt./litre	20qt./litre
 Whisk	AT 33109 <del>002979</del>	AT 33108
 Beater	AT 42977	AT 42975
 Spiral Dough Hook	AT 42976	AT 42974
 Pastry Knife	AT 43114	AT 43113
 Extension Rim	Q 19771	Q 16477
 Bowl	Q 16559A	Q 16508A
 Receiving Tray	AT 60153	
 Stand	AT 60112	

Fig 7

# ED12/EF20 POWERMIXER Spare Parts

## Control Panel and Top Cover

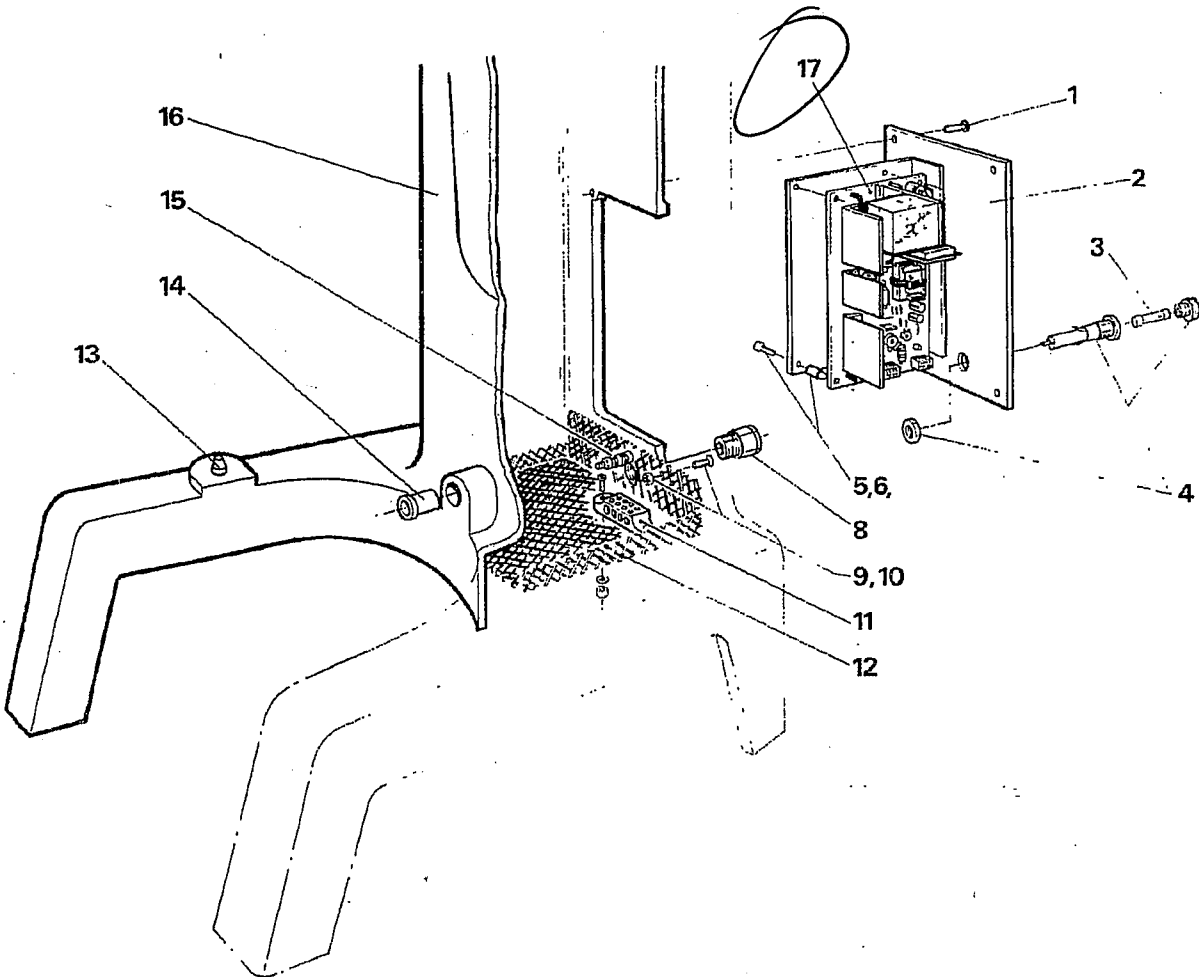
Item	Part No.	Description	Qty	Item	Part No.	Description	Qty
1	AT27403	Cover Fixing Stud	1	10	51072/01	Control Knob	1
2	AT16037	Cover Fixing Nut	1	11	6110-XA	M10 Washer	1
3	AT42948	Cover	1	12	3704-010-WA	Screw, Pan HD M4 x 10mm LG	4
4	AT27597	Control Panel comprising	1	13	51075/03	Potentiometer	1
	AT27602	Panel Blank	1			<i>use 51075/05. OK7505</i>	
	AT27602	ED12 Fascia	1			Additional Items if Timer Fitted	
	AT27598	or	1	14	51116/01	Timer	1
5	50987/02	EF20 Fascia	1	15	51106/01	Selector Switch	1
6	51105/01	Contact Block	1	16	3703-006-ZB	Screw, Pan HD M3 x 6 LG	2
7	51104/01	Seal	1	17	AT27625	Control Panel comprising	1
	51104/03	or	1		AT27625	Panel Blank	1
8	50986/01	Neon Indicator (200-240V supply)	1		AT27621	ED12 Fascia	1
	51104/03	or	1		AT27621	or	1
9	51072/02	Neon Indicator (110-120V supply)	1			EF20 Fascia	1
	50986/01	Stop Push Button	1				
	51072/02	(complete with locking ring)	1				
	51072/02	Cap	1				

*5111702 PCB EF20.*



**CRYPTO PEERLESS LIMITED**  
 Bordesley Green Road, Bordesley Green, Birmingham. B9 4UA.  
 Telephone: 021-773 1234. Telex: 338243. Grams: Peerless B'ham.  
 Branches at London, Belfast, Birmingham, Bristol, Glasgow, Leeds  
 Newcastle

### Body and Motor Control

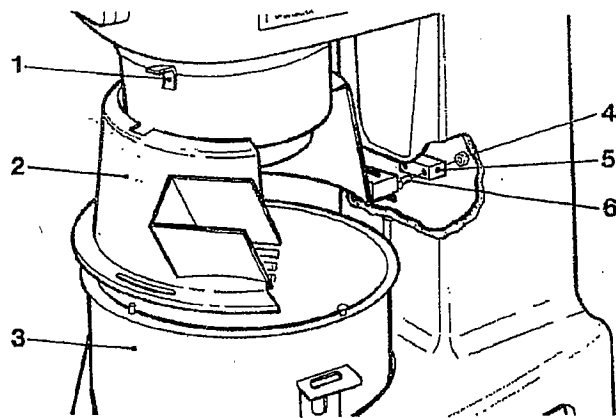


Item	Part No.	Description	Qty	Item	Part No.	Description	Qty
1	3704-010-WA	Screw, Pan Hd M4 x 10mm Lg	4	11	51015/02	Terminal Block secured with	1
2	AT 43219	Mounting Panel	1		3703-010-ZA	Screw, Pan Hd M3 x 10mm Lg	2
3	51076/01	15 amp Quick Blow Fuse 220/240 volt only	1		5003-ZA	M3 Nut	2
		or			6003-ZA	M3 Washer	2
	51132/01	25 amp Quick Blow Fuse 110/120 volt only	1	12	AT 42988	Safety Grid	1
4	51069/01	Fuseholder 220/240 volt only	1	13	Q 9178	Bowl Locating Peg	2
		or		14	Q 19212A	Bowl Locating Bush	1
	51131/01	Fuse holder 110/120 volt only	1	15		Earth Post Comprising:	
					3505-035-ZA	Screw, Csk Hd M5 x 35mm Lg	1
5	3803-016-ZA	Screw, Ch Hd M3 x 16mm Lg	4		5005-ZA	M5 Nut	3
6	51118/01	PCB Support	4		50976/02	Clamping Washer	4
8	50344/03	Cable Gland	1	16	AT 60097	Body	1
9	3505-020-ZA	Screw, Csk Hd M5 x 20mm Lg	2	17	51117/02	Motor Control PCB 220/240 volt only	1
10	5005-ZA	M5 Nut	2			or	
					51117/04	Motor Control PCB 110/120 volt only	1

Item	Part No.	Description	Qty	Item	Part No.	Description	Qty
1	4108-016-YA	Screw, Hx Hd M8 x 16mm Lg	3	35	3906-025-YA	Screw, Cap Hd M6 x 25mm Lg	4
2	4108-020-YA	Screw, Hx Hd M8 x 20mm Lg	4	36		Bearing Plate Assy comprising	1
3	6008-ZA	M8 Washer	4		AT43162	Bearing Plate	1
4	AT33112	Motor Mounting Plate	1		AT16216	Bearing Tape	1
5	AT27502	Driving Pulley complete with	1	37	AT16219	Spacer	1
	51063/06	Flange Ring	2	38	MDP1030	Dowel, 10mm dia x 30mm Lg	1
6	4005-008-ZA	Grubscrew, M5 x 8mm Lg	1	39	50975/02	Needle Bearing	1
7	RE030324	Key, 3/16" x 3/16" x 1 1/2" Lg	1	40	AT32838	Housing	1
8	51117/01	Biamain Motor 220/240 volt only	1	41	50067/04	Bearing 6206-2RS	1
	51117/03	Biamain Motor 110/120 volt only	1	42	AT32837	Inner Housing	1
9	4108-060-YA	Screw, Hx Hd M8 x 60mm Lg	6	43	3508-020-ZA	Screw, Csk Hd M8 x 20mm Lg	3
9A	6008-ZA	M8 Washer	6	44	3508-020-ZA	Screw, Csk Hd M8 x 20mm Lg	3
10	AT42789	Upper Housing	1	45	4108-025-YA	Screw, Hx Hd M8 x 25mm Lg	6
11	MRE/0807/16	Key, 8mm x 7mm x 16mm Lg	1	46	6008-ZA	M8 Washer	6
12	AT27145	Bevel Gear	1	47	50174/03	Flanged Bearing	1
13	50442/05	Bearing 6306-2RS	1	48	AT16017	Thrust Washer	1
14	AT27147	Upper Cover Plate	1	49	3908-022-YA	Screw, Skt Hd M8 x 22mm Lg	4
15	AT15742	Spacer	1	50	50996/02	Plug	4
16	AT42790	Pinion Shaft	1	51	50428/07	Spring Dowel	1
17	AT27149	Lower Cover Plate	1	52	Q16539	Hub Cap	1
18	50274/31	Circlip, External 15mm Dia	1	53	AS16142	Thrust Ring	1
19	50975/01	Needle Bearing	1	54	AS27476	Drive Shaft Bush	1
21	AT15737	Spacer	1	55	AT27387	Drive Shaft <i>okQ786</i>	1
22	AT27144	Pinion	1	56	Q16470	Spring	1
23	AT27529	Gear	1	57	Q590G	Thumbscrew, 3/8" BSF	1
24	MRE/0606/32	Key, 6mm x 6mm x 32mm Lg	4	58	AT42970	Attachment Hub Housing	1
25	50067/03	Bearing 6205-2RS	1	59	50174/03	Flanged Bearing	1
26	AT32834	Planetary Cover	1	60	50274/13	Circlip	1
27	AT43179	Spindle	1	61	MRE/0606/25	Key, 6mm x 6mm x 25mm	1
28	MDP0830	Dowel, 8mm dia x 30mm Lg	1	62	AT27163	Bevel Gear	1
29	AT27146	Collar	1	63	50274/13	Circlip	1
30	AT16050	Stop Segment	1	64	AT15741	Spacer	1
31	4303-010-WA	Screw, Csk Hd M3 x 10mm Lg	2	65	50442/06	Bearing 6305-2RS	1
32	4304-010-ZA	Screw, Csk Hd M4 x 10mm Lg	3	66	AT15744	Spacer	1
33	3906-012-YA	Screw, Cap Hd M6 x 12mm Lg	4	67	AT27402	Driven Pulley	1
34	AT32835	Bottom Cover Plate	1	68	MRE/0807/25	Key, 8mm x 7mm x 25mm Lg	1
				69	AT15738	Washer	1
				70	6510-TA	M10 Spring Washer	1
				71	3910-020-YA	Screw, Cap Hd M10 x 20mm Lg	1
				72	50944/02	Belt <i>ok7504</i>	1

### Bowl Guard optional extra

Item	Part No.	Description	Qty
1	AT16309	Support Bracket	3
	3504-012-WA	Secured by Screw, CSK HD M4 x 12 LG	3
	6204-WA	M4 Washer	3
	5004-WA	M4 Nut	3
2	AT43273	Guard Hood Assy comprising	1
	51145/02	Bowl Guard Hood	1
	50292/17	Magnetic Switch Actuator	1
	50434/02	CSK Rivet 4 Dia x 20 LG	2
	50434/02	Plastic Beading	1
3	AT33420	12 Litre Bowl	1
	AT33477	or 20 Litre Bowl	1
4	5003-WA	M3 Nut	2
5	51145/01	Proximity Safety Switch	1
6	3503-020-WA	Screw, CSK HD M3 x 20 LG	2



5107505

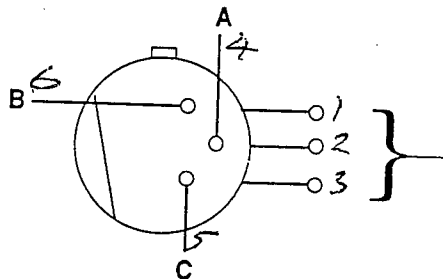
(OK7505)

# CRYPTO PEERLESS EF20 POWERMIXER

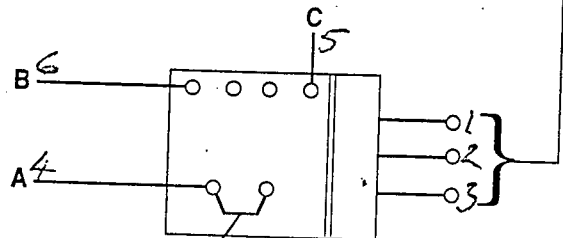
## Replacement Potentiometer

The original potentiometer fitted to the Crypto Peerless EF20 powermixer is no longer available and has been replaced by the control unit supplied. Connect this new unit to the wiring of the mixer as shown below (viewed from rear).

### ORIGINAL POTENTIOMETER



### REPLACEMENT POTENTIOMETER



Use the same connections on both

Link required across these terminals

After fitting the replacement unit the maximum and minimum speed settings may require adjustment on the PC185 controller.

**Electrolux**  
ELECTROLUX COMMERCIAL SERVICE

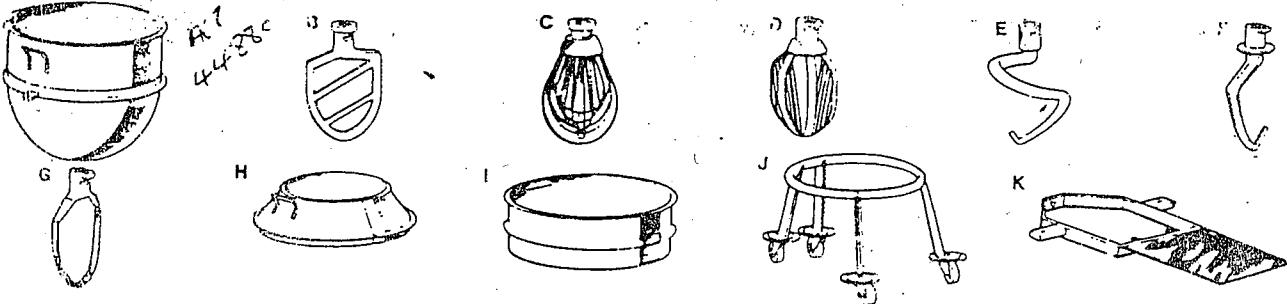
Electrolux Commercial Service, Bordesley Green Road, Birmingham B9 4UA

tel: 0121 623 1818 fax: 0121 623 1819

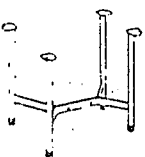
OR1835/695


OPTIONAL EXTRAS FOR MIXERS																	
	EB10		ED12/EF20		EG20		EG30		ED30/EC40/ED40			EE60		EB80		E100	
	10qt Capacity	12qt Capacity	20qt Capacity	20qt Capacity	12qt Capacity	30qt Capacity	20qt Capacity	40qt Capacity	30qt Capacity	20qt Capacity	50qt Capacity	30qt Capacity	80qt Capacity	40qt Capacity	100 qt Capacity	40 qt Capacity	
Business A Steel Bowl	BB43486 159.00	Q19791A 166.00	Q16508A 185.00	Q16508A 185.00	Q19791A 166.00	BA43357 396.00	BG44060 285.00	AY43251 519.00	BA43357 396.00	5176 310.00	AS43754 818.00	AS43756 477.00	AV60115 1048.00	AV60133 589.00	BH44261 1227.00	BH44418 646.00	
Beater B	BB33597 51.00	AT42977 31.00	AT42975 41.50	Q18778A 41.50	Q19766 37.50	BG60375 74.50	Q18778A 41.50	529531 102.00	BA60236 79.50	5179 73.00	AS60216 186.00	AS42204 145.00	AV60117 207.00	AV33527 166.00	BH60490 214.00	BH60529 183.00	
Standard Whisk C	BB34301 72.00	AT33109 65.50	AT33108 81.50	Q19751A 89.00	Q19768 65.50	BG33950 126.00	Q19751A 89.00	5184 160.00	BA33501 127.00	5180 116.00	AS60144 174.00	AS32254 169.00	AV60120 185.00	AV33528 166.00	BH60514 226.00	BH44419 183.00	
Strengthened Whisk C	N/A	N/A	N/A	N/A	N/A	N/A	N/A	1340/312 N/A	N/A	N/A	AS43025 340.00	N/A	AV43022 351.00	N/A	BH60519 482.00	N/A	
Winged Whip D	N/A	N/A	N/A	N/A	N/A	N/A	N/A	N/A	N/A	N/A	AS60121 357.00	N/A	AV60118 370.00	N/A	N/A	N/A	
Scraper Hook E	BB33598 73.00	AT42976 45.00	AT42974 55.00	BC43561 58.00	BC43562 50.00	BG43865 140.00	N/A	5183 143.00	BA60235 140.00	5178 126.00	AS60067 222.00	N/A	AV60107 336.00	AV33529 151.00	BH60495 357.00	N/A	
Dough Hook F	N/A	AT43142 41.00	AT43141 50.00	Q19312A 49.00	Q19772 41.00	BG44001 110.00	Q19312A 49.00	N/A	N/A	N/A	AV41382 174.00	AS42203 158.00	AV60376 221.00	N/A	N/A	BH60528 166.00	
Pastery Knife G	N/A	AT43936 80.50	AT43935 75.50	BC43666 119.00	BC43880 80.50	BG60403 119.00	BC43666 119.00	AY60460 143.00	BA60461 143.00	AY44220 135.00	AS60360 163.00	AC43873 TBA	AV60379 204.00	AV60381 TBA	N/A	N/A	
Anti-Splash Shield H	N/A	N/A	N/A	N/A	N/A	N/A	N/A	N/A	N/A	N/A	5F123 600.00	N/A	5F123 600.00	N/A	N/A	N/A	
Extension Arm I	N/A	Q19771 33.50	Q16477 38.50	Q16477 38.50	Q19771 33.50	BG34561 54.00	Q16477 38.50	Q13563 61.50	Q9316 54.00	N/A	AS31510 87.50	N/A	AB31510 87.50	N/A	N/A	N/A	
Bowl Trolley J	N/A	N/A	N/A	N/A	N/A	N/A	N/A	AY43266 174.00	BA43479 174.00	N/A	AS43335 225.00	AS33428 TBA	AV43046 225.00	N/A	BH44324 229.00	BH44421 190.00	
13 Minute Timer	Standard	AT34202 112.00		Standard	Standard	Standard	Standard	Standard			Standard		Standard	Standard			
Receiving Tray K	N/A	AT60153 238.00		BC60297 238.00		BG60408 238.00		AY60276 238.00			AS43519 118.00		AS43519 118.00		BH44358 TBA		
Part Board	BB43703 238.00	AT16382 794.00	AT43277 535.00	BC60432 (Hinged) 1042.00	BC17192 (Conical) 308.00	BG60446 (Hinged) 1042.00	BG17193 (Conical) 329.00	AY60384 844.00	POA	POA	AS60373 1023.00	POA	AS60373 1023.00	BH17562 798.00			
Attachment (s fitting)	N/A	Standard		Standard		Standard			AS42813 126.00		AS42813 126.00		AS42813 126.00		N/A		

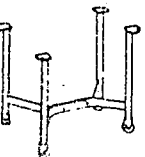
For Optional Equipment for the 6NM6 Mixer see page 9. Part Numbers in light lettering, prices in bold lettering.

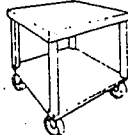


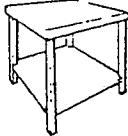
**OPTIONAL STANDS & CUPBOARDS FOR EB10/ED12/EF20/EG20 MIXERS**

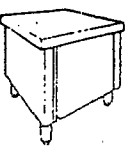
 **Tubular Stand for ED12/EF20 Mixers** AT60112 **116.00**

 **Stand Securing Feet for ED12/EF20 Stand only** Q16549A **21.00**

 **Mobile Tubular Stand for ED12/EF20 Mixers with 2 fixed & 2 braked swivel 2" (50mm) castors** AT60112, 50327/30 & Q16517 **182.00**

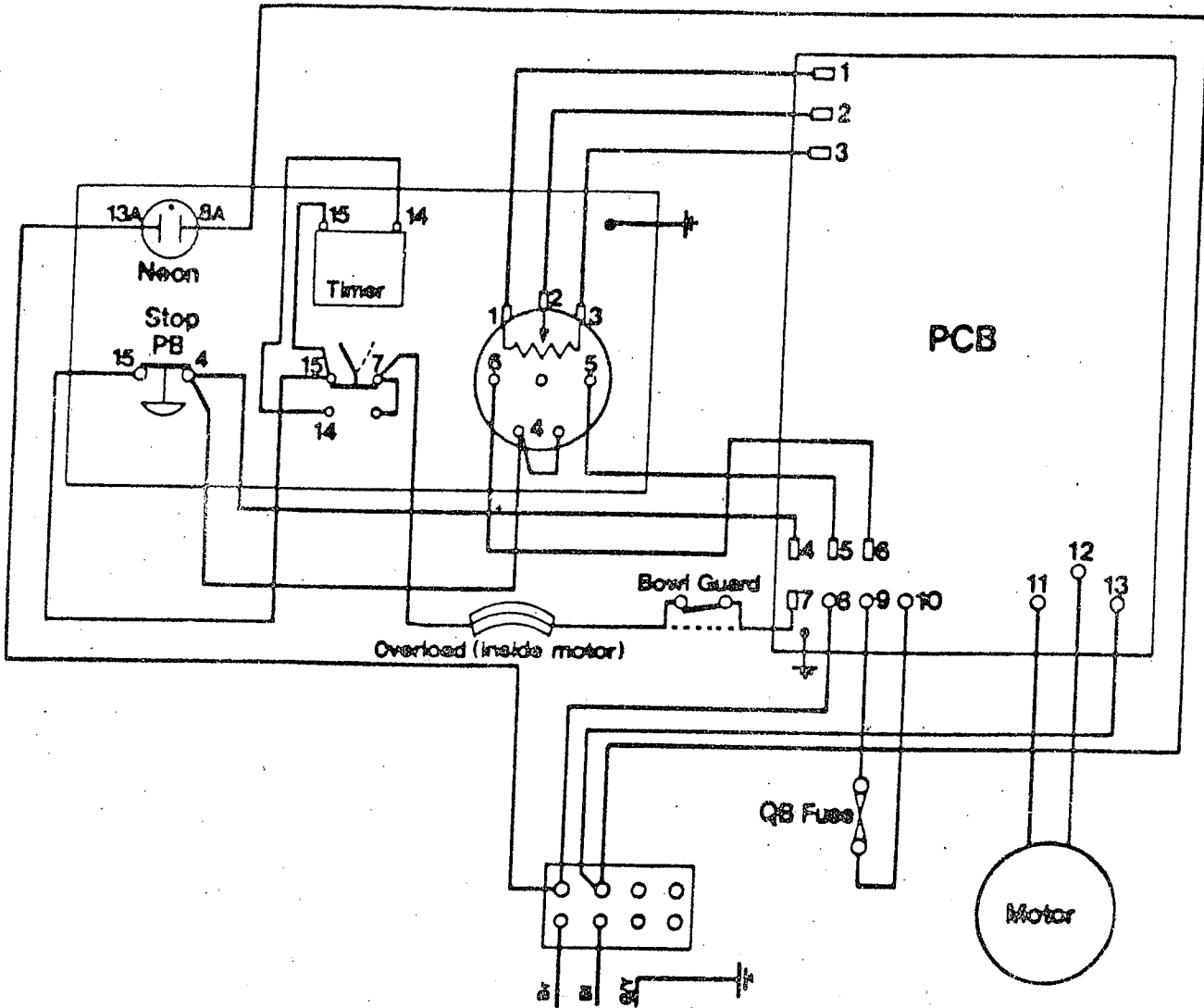
 **Mobile Open Stand S/S top, aluminium clad (top: 52 x 54 cm) (height: 59 cm)** AT60474 **339.00**

 **Non-Mobile Open Stand S/S top, aluminium clad (top: 52 x 54 cm) (height: 63 cm)** AT60473 **287.00**

 **Cupboard Chromium steel construction with galvanised steel base frame and adjustable aluminium legs.** AT27901 **565.00**

**Electrical Wiring Diagram**

ED12B/EF20B Models fitted with Timer and Bowl Guard



Note: Layout of PCB may vary but wire and connection numbers remain the same

MACHINE	SUPPLY	MOTOR	NO LOAD START CURRENT	NO LOAD RUN CURRENT	FULL LOAD RUN CURRENT
ED12	240V/50hz/1ph	1hp	4A	top speed 1A	No.1 Speed 5A
EF20	240V/50hz/1ph	1hp	4A	1A	5A



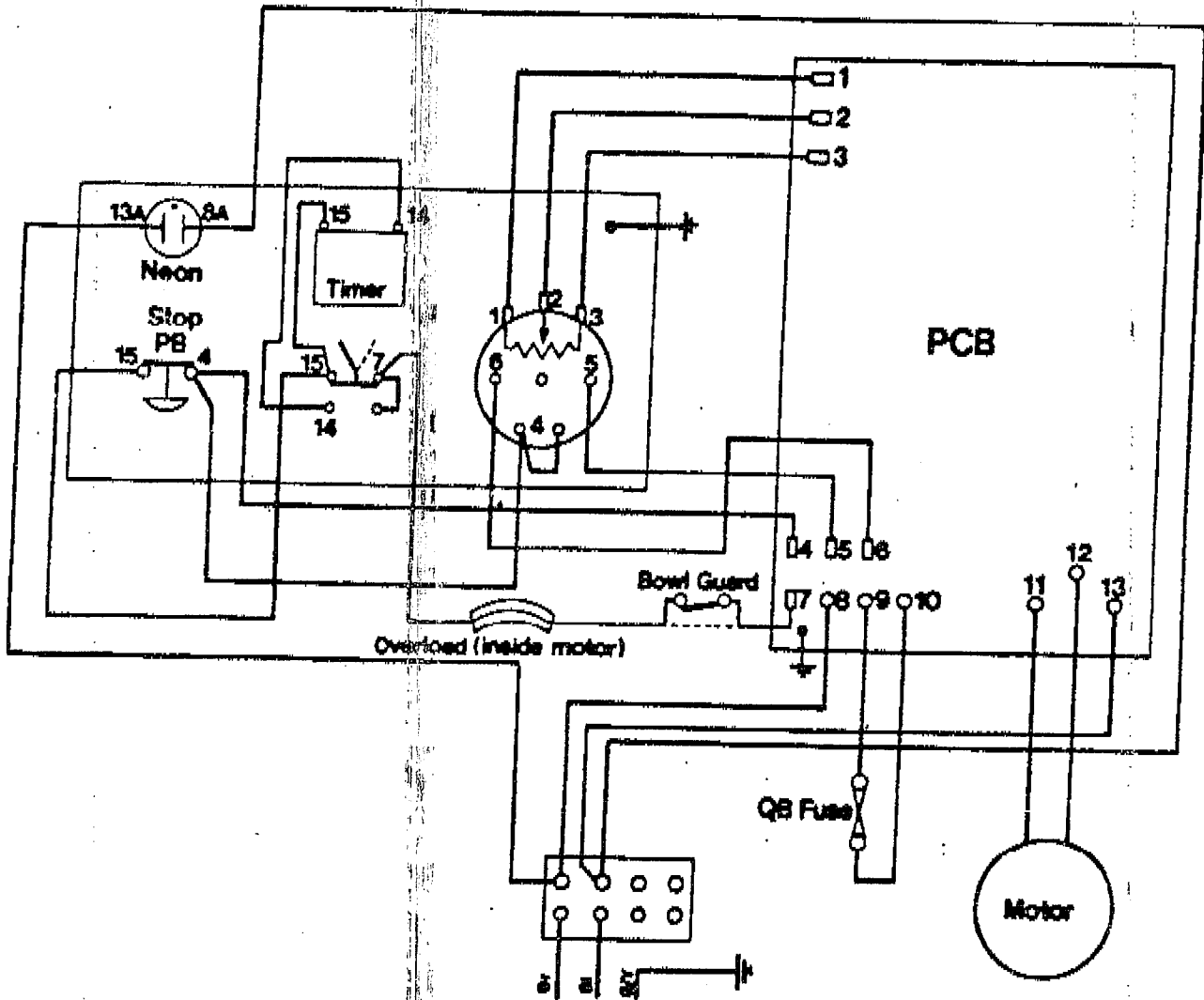
**SERVICE**

**TEAM**

**ED12/EF20  
Powermix**

### Electrical Wiring Diagram

ED12B/EF20B Models fitted with Timer and Bowl Guard



NOTE: Layout of PCB may vary but wire and connection numbers remain the same

MACHINE	SUPPLY	MOTOR	NO LOAD START CURRENT	NO LOAD RUN CURRENT	FULL LOAD RUN CURRENT
ED12	240V/50hz/1ph	1hp	4A	top speed 1A	No.1 Speed 5A
EF20	240V/50hz/1ph	1hp	4A	1A	5A