

SIMAG

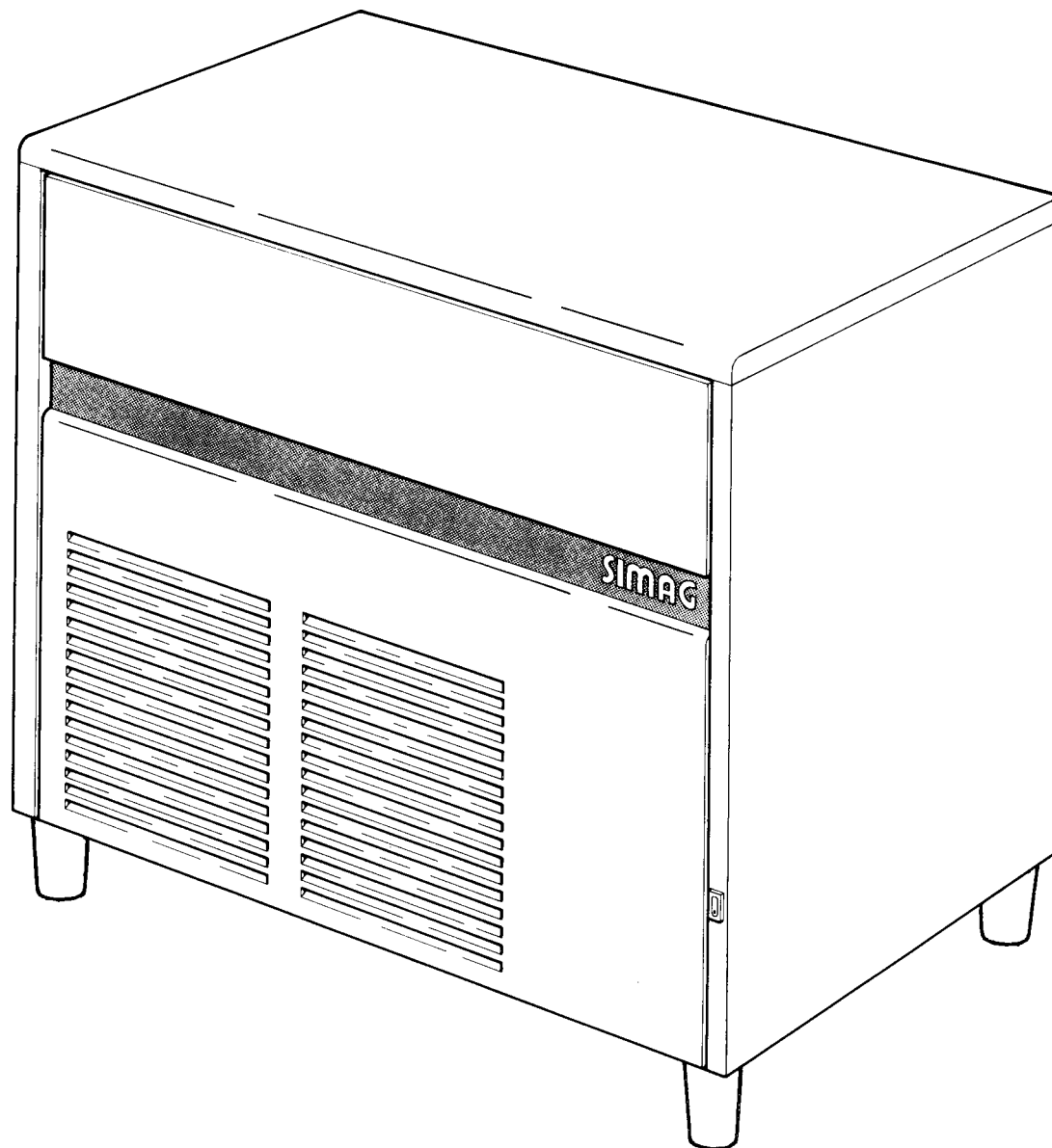
SD 125

"F" SERIES

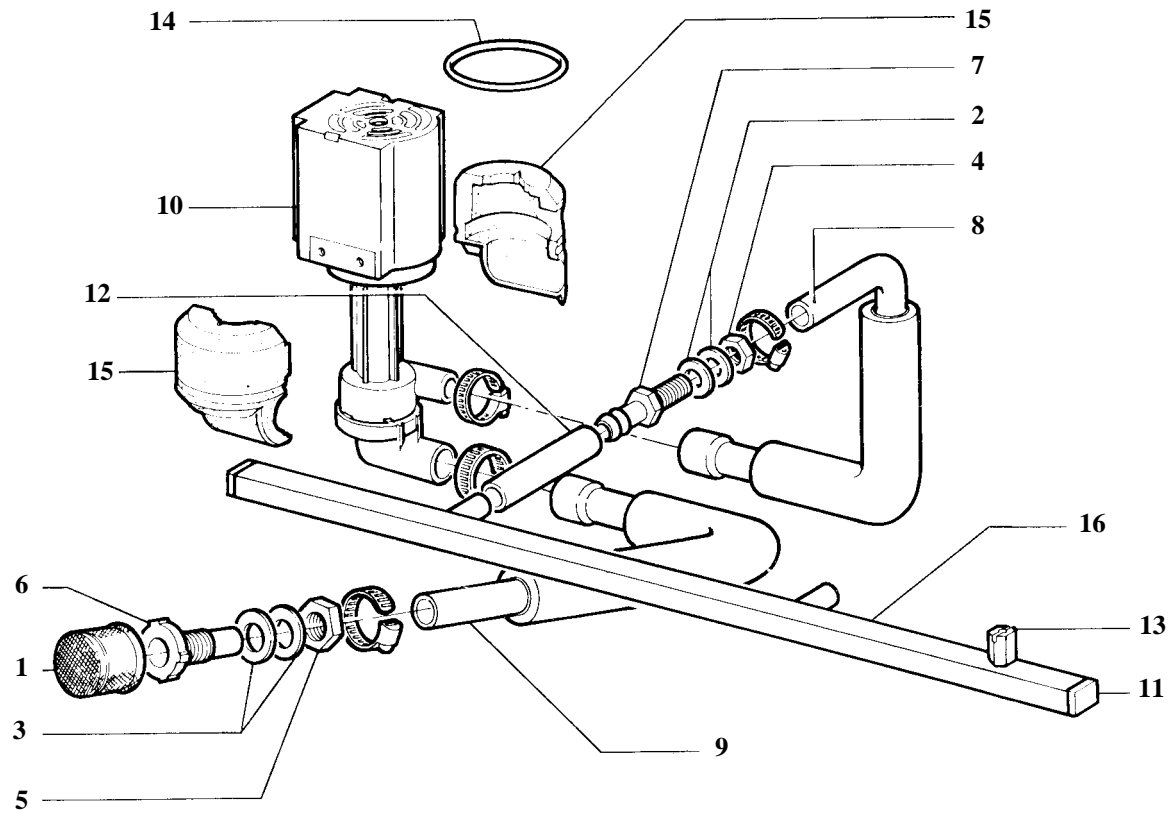
R 404 A VERSION

**SPARE PARTS LIST
CATALOGO RICAMBI
CATALOGUE PIÈCES DÉTACHÉES
ERSATZTEILENKATALOG**

SD125A - SD125W



SD125A - SD125W					TAVOLA 1
N	COD.	DESCRIZIONE	DENOMINATION	DESCRIPTION	BESCHREIBUNG
1	660638 00	Piede di supporto	<i>Pied</i>	Foot	<i>Gerätefuß</i>
2	650805 00	Targa serigrafata	<i>Plaquette marque</i>	Name plate facia	<i>Markenschild</i>
3	650805 17	Targhetta modello	<i>Plaquette d'identification</i>	Model badge	<i>Modellbezeichnung</i>
5	650790 00	Perno	<i>Axe</i>	Stud	<i>Stift</i>
6	660648 00	Controsportello	<i>Contreporte</i>	Door internal plate	<i>Hintere Seite Entnahmeklappe</i>
7	650806 00	Perno posteriore	<i>Axe arrière</i>	Rear stud	<i>Träger - Hinten</i>
9	Z1AM089	Pannello isolante	<i>Panneau isolant</i>	Top panel insulation	<i>Isolation</i>
10	781432 04	Assieme pannello super.	<i>Ensemble couvercle</i>	Top panel assy	<i>Deckel komplett</i>
11	721869 00	Fiancata sinistra	<i>Joue gauche</i>	Left side panel	<i>Linke Gehäuseseite</i>
12	721868 00	Fiancata destra	<i>Joue droite</i>	Right side panel	<i>Rechte Gehäuseseite</i>
13	060491 26	Assieme sportello	<i>Ens. porte</i>	Door assy	<i>Entnahmeklappe komplett</i>
14	781406 11	Assieme basamento	<i>Ensemble chassis</i>	Base assy	<i>Chassis einheit</i>
15	784285 01	Traverso anteriore	<i>Traverse antérieure</i>	Front support	<i>Vordere Verbindungsstrebe</i>
16	703228 00	Traverso supp. pompa	<i>Traverse support pompe</i>	Pump support panel	<i>Halterung pumpe</i>
17	721859 00	Coperchio	<i>Couvercle</i>	Top panel	<i>Deckel</i>
18	702285 00	Pannello posteriore	<i>Panneau postérieur</i>	Rear panel	<i>Hintere Abdeckung</i>
19	721568 02	Pannello anteriore	<i>Panneau frontal</i>	Front panel	<i>Vordere Gehäuseabdeckung</i>
20	680333 03	Base imballo	<i>Socle</i>	Pallet	<i>Palette</i>
21	Z1IM015	Scatola imballo	<i>Caisse carton</i>	Carton	<i>Karton</i>



SD125A - SD125W

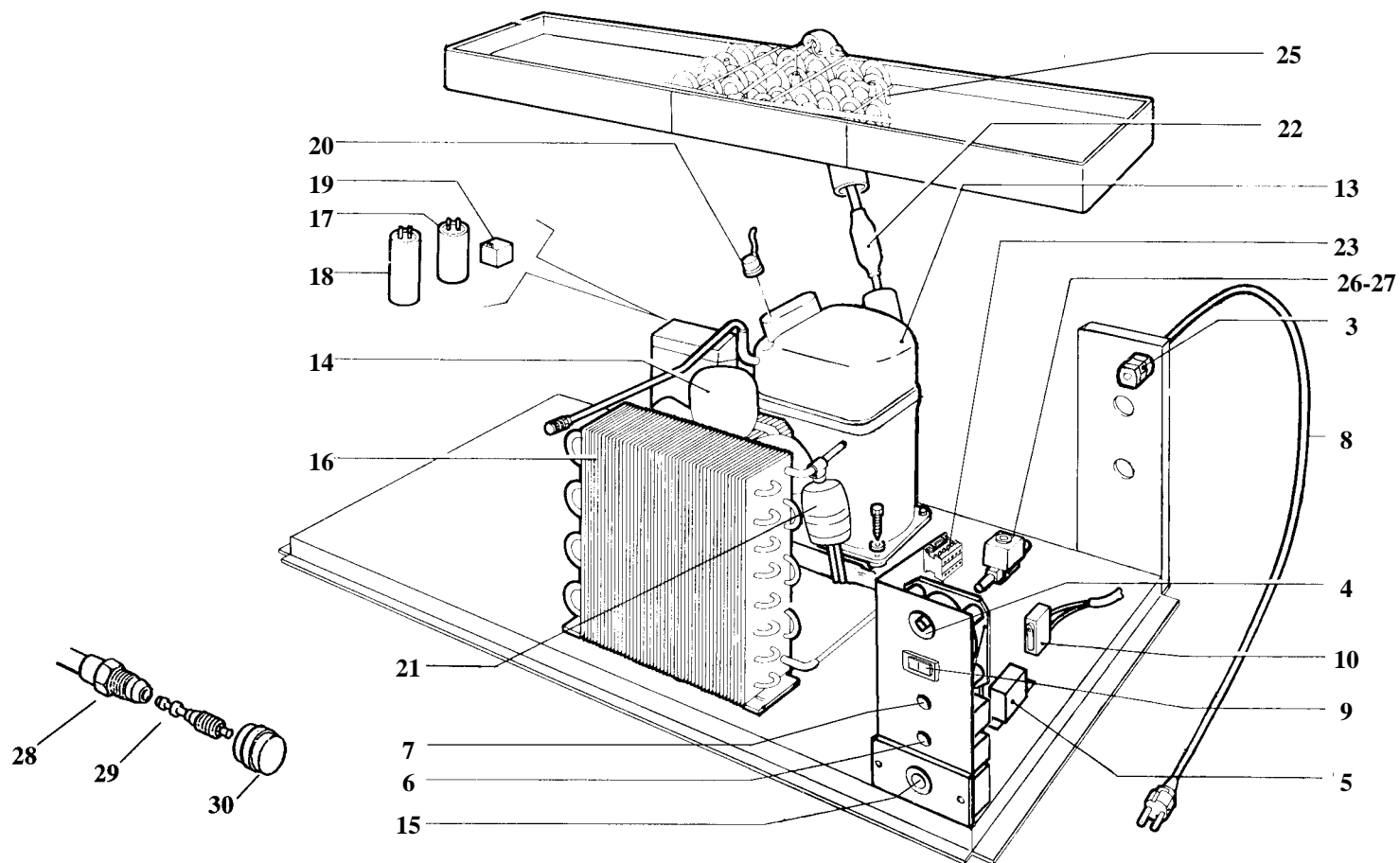
TAVOLA 2

N	COD.	DESCRIZIONE	DENOMINATION	DESCRIPTION	BESCHREIBUNG
1	Z1AC012	Filtro aspirazione pompa	<i>Filtre aspiration pompe</i>	Pump feeding filter	<i>Pumpenansaugfilter</i>
2	Z1AC013	Rondella	<i>Rondelle</i>	Washer	<i>Unterlegscheibe</i>
3	Z1AC014	Rondella	<i>Rondelle</i>	Washer	<i>Unterlegscheibe</i>
4	Z1AC016	Dado	<i>Ecrou</i>	Nut	<i>Mutter tuerca</i>
5	Z1AC017	Dado	<i>Ecrou</i>	Nut	<i>Mutter tuerca</i>
6	Z1AC029	Racc. aspirazione pompa	<i>Raccord aspiration pompe</i>	Pump feeding pipe-fixing	<i>Ansauganschlussstück</i>
7	Z1AC030	Racc. mandata pompa	<i>Raccord refoulement pompe</i>	Pump inlet water pipe-fixing	<i>Pumpenabflussanschlussstück</i>
8	Z1ID006	Tubo mandata pompa	<i>Tuyau de refoulement pompe</i>	Pump inlet water pipe	<i>Pumpenabflussschlauch</i>
9	610189 01	Tubo aspirazione pompa	<i>Tuyau d'aspiration pompe</i>	Pump feeding pipe	<i>Pumpenansaugschlauch</i>
10	620415 00	Assieme pompa	<i>Ensemble pompe</i>	Pump assy	<i>Pumpe komplett</i>
11	660557 00	Tappo per collettore	<i>Bouchon pour collecteur</i>	Plug manifold	<i>Stopfen</i>
12	281830 04	Tubo alimentazione collettore	<i>Tuyau d'alimentation eau</i>	Spray bar feeding pipe	<i>Anschlusschlauch kollektor</i>
13	660558 00	Spruzzatore	<i>Gicleurs</i>	Sprayers	<i>Sprühdüsen</i>
14	Z1ID042	Anello O.R.	<i>Joint torique</i>	O-ring	<i>O-ring Junta</i>
15	Z1ID043	Isolamento pompa	<i>Coupelle pour pompe</i>	Pump cover insulation	<i>Pumpenisolation</i>
16	650665 11	Collettore	<i>Collecteur</i>	Spray bar	<i>Kollektor</i>

SD125A - SD125W

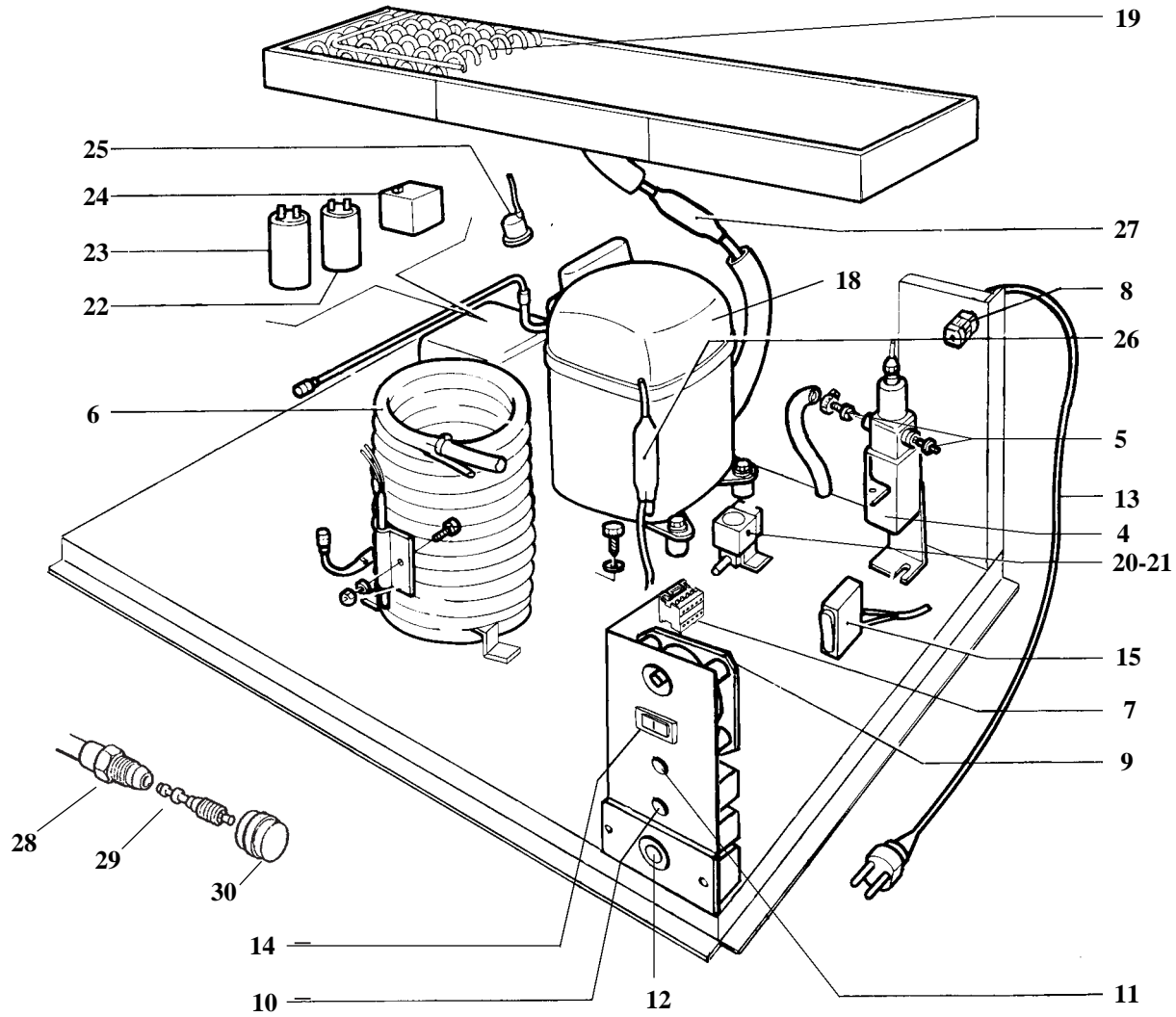
TAVOLA 3

N	COD.	DESCRIZIONE	DENOMINATION	DESCRIPTION	BESCHREIBUNG
1	Z1AC005	Griglia scorrimento cubetti	<i>Grille glissement glacons</i>	Cube deflector	<i>Abgleit grill</i>
2	Z1AC013	Rondella	<i>Rondelle</i>	Washer	<i>Unterlegscheibe</i>
3	Z1AC015	Vite godronata	<i>Vis moletée</i>	Knurled screw	<i>Schraube</i>
4	Z1AC016	Dado	<i>Ecrou</i>	Nut	<i>Mutter</i>
5	660629 00	Bandierina	<i>lamelle</i>	Spray curtain flap	<i>Abdeckklabbe</i>
6	Z1AC028	Racc. scarico contenitore	<i>Raccord vidange conteneur</i>	Bin exhaust pipe fitting	<i>Anschlusstück behälter</i>
7	640041 29	Guarnizione	<i>Joint torique</i>	O-ring	<i>Simmer ring</i>
8	724323 00	Supporto evaporatore	<i>Support évaporateur</i>	Evaporator support	<i>Verdampferauflange</i>
9	722146 00	Supporto cella	<i>Support chambre</i>	Bin support	<i>Halterung Innenbehälter</i>
10	660601 00	Troppo pieno	<i>Trop-plein</i>	Overflow exhaust pipe	<i>Überlauf</i>
11	470019 00	Vite	<i>Vis</i>	Screw	<i>Schraube</i>
12	734328 19	Tubo ottone	<i>Tube en laiton</i>	Spray curtain bar	<i>Abdeckklappenhalter</i>
13	Z1AC056	Rondella	<i>Rondelle</i>	Washer	<i>Unterlegscheibe</i>
14	Z1AC057	Raccordo scarico t. pieno	<i>Raccord écoulem. trop-plein</i>	Overflow exhaust	<i>Überlaufrohr</i>
15	Z1AC058	Dado	<i>Ecrou</i>	Nut	<i>Mutter</i>
16	060513 00	Tubo alimentazione acqua	<i>Tuyau d'alimentation eau</i>	Water Supply pipe	<i>Wasseranschlussschlauch</i>
17	640076 13	Guarnizione	<i>Joint</i>	Gasket	<i>Dichtung</i>
18	650146 00	Sessola	<i>Sasse</i>	Ice scoop	<i>Eisschaufel</i>
19	Z1AD011	Curva con ghiera	<i>Coude avec bague</i>	Elbow with ring nut	<i>Krümmmer</i>
20	Z1AM025	Passatubo	<i>Passe-tuyau</i>	Retainer for door bar	<i>Halterung</i>
21	060524 05	Kit cella completa	<i>Kit chambre ensemble</i>	Kit bin assy	<i>Kit zelle Komplett</i>
22	Z1CE011	Cella interna	<i>Chambre intérieure</i>	Bin	<i>Zelle intern</i>
23	060524 10	Assieme tendina	<i>Ens. lamelles complet</i>	Curtain flap assy	<i>Jalouise komplett</i>
24	650105 54	Elettrovalvola acqua	<i>Electrovanne eau</i>	Water Inlet Valve	<i>Electromagnetventil</i>
25	610189 00	Tubo scarico contenitore	<i>Tuyau vidange conteneur</i>	Bin exhaust pipe	<i>Behälterauslaufschlauch</i>
26	Z1ID025	Scarico acqua	<i>Écoulement eau</i>	Water exhaust	<i>Wasserablauf</i>
27	281900 01	Tubo	<i>Tube</i>	Pipe	<i>Schlauch</i>
28	Z1ID028	Tubo	<i>Tube</i>	Pipe	<i>Schlauch</i>
29	Z1ID031	Raccordo	<i>Raccord</i>	Support	<i>Verbindung</i>
30	Z1AM019	Asta sportello	<i>Tige porte</i>	Door support bar	<i>Klappenachse</i>



SD125A**TAVOLA 4**

N	COD.	DESCRIZIONE	DENOMINATION	DESCRIPTION	BESCHREIBUNG
3	630107 00	Fissacavo	<i>Serre-câble</i>	Cable terminal ring	<i>Kabelklemme</i>
4	620441 00	Timer	<i>Minuterie</i>	Timer	<i>Timer</i>
5	620075 02	Pressostato	<i>Pressostat</i>	Pressure gauge	<i>Druckwächter</i>
6	630005 00	Termostato contenitore	<i>Thermostat conteneur</i>	Bin thermostat	<i>Behälterthermostat</i>
7	620201 01	Termostato evaporatore	<i>Thermostat évaporateur</i>	Evaporator thermostat	<i>Verdampferthermostat</i>
8	630136 00	Cavo alimentazione	<i>Câble d'alimentation</i>	Electric cable	<i>Kabel</i>
9	620442 02	Commutatore	<i>Interrupteur</i>	Switch	<i>Schalter</i>
10	620453 00	Interruttore luminoso	<i>Interrupteur lumineux</i>	Switch	<i>Schalter</i>
13	670099 04	Compressore	<i>Compresseur</i>	Compressor	<i>Kompressor</i>
14	620419 04	Motoventilatore	<i>Moto-ventilateur</i>	Electric fan	<i>Lüfter</i>
15	620231 01	Pressostato di sicurezza	<i>Pressostat de sécurité</i>	Pressure gauge-safety	<i>Sicherheitsdruckwächter</i>
16	620436 00	Condensatore ad aria	<i>Condenseur</i>	Air condenser	<i>Kondensator</i>
17	620167 21	Condensatore di marcia	<i>Condenseur marche</i>	Running capacitor	<i>Gangkondensator</i>
18	620167 00	Condensatore avviamento	<i>Condenseur depart</i>	Start capacitor	<i>Starkondensator</i>
19	620057 46	Relè avviamento	<i>Relais démarrage</i>	Starting relay	<i>Anlaufrelais</i>
20	620058 78	Protettore termico	<i>Protection thermique</i>	Thermic protector	<i>Thermoschutz</i>
21	670006 01	Filtro ceramico	<i>Filtre ceramique</i>	Filtere	<i>Filter</i>
22	784484 01	Assieme accumulatore isolato	<i>Ens. accumulateur</i>	Accumulator assy	<i>Sammler komplett</i>
23	630119 00	Contattore	<i>Contacteur</i>	Contactore	<i>Schaltshütz</i>
25	784486 00	Piastra evaporatore	<i>Evaporateur</i>	Evaporator plate	<i>Verdampfer</i>
26	620306 46	Corpo valvola gas caldo	<i>Electrovanne gar corps</i>	Hot gas valve body	<i>Gas ventil körper</i>
27	620306 48	Bobina valvola gas caldo	<i>Bobine vanne gaz chaud</i>	Hot gas valve coil	<i>Heissgaz ventil spule</i>
28	650109 00	Corpo valvola	<i>Corps de vanne</i>	Valve body	<i>Ventilgehäuse</i>
29	670012 00	Pistoncino valvola	<i>Piston</i>	Valve piston	<i>Ventilkolben</i>
30	650106 00	Cappuccio valvola	<i>Capuchon de vanne</i>	Valve cap	<i>Ventilklappe</i>



SD125W**TAVOLA 5**

N	COD.	DESCRIZIONE	DENOMINATION	DESCRIPTION	BESCHREIBUNG
4	620111 00	Valvola pressostatica	<i>Soupape pressostatique</i>	Water valve	<i>Wasserventil</i>
5	733204 00	Portagomma	<i>Support caoutchouc</i>	Rubber fixing	<i>Halterung</i>
6	620331 00	Condensatore ad acqua	<i>Condenseur</i>	Water condenser	<i>Verflüssiger</i>
7	630119 00	Contattore	<i>Contacteur</i>	Contacteur	<i>Schaltshütz</i>
8	630107 00	Fissacavo	<i>Serre-câble</i>	Cable terminal ring	<i>Kabelklemme</i>
9	620441 00	Timer	<i>Minuterie</i>	Timer	<i>Timer</i>
10	630005 00	Termostato contenitore	<i>Thermostat conteneur</i>	Bin thermostat	<i>Behälterthermostat</i>
11	620201 01	Termostato evaporatore	<i>Thermostat évaporateur</i>	Evaporator thermostat	<i>Verdampferthermostat</i>
12	620231 01	Pressostato di sicurezza	<i>Pressostat de sécurité</i>	Pressure gauge-safety	<i>Sicherheits druckwächter</i>
13	630136 00	Cavo alimentazione	<i>Câble d'alimentation</i>	Electric cable	<i>Kabel</i>
14	620442 02	Commutatore	<i>Interrupteur</i>	Switch	<i>Schalter</i>
15	620453 00	Interruttore luminoso	<i>Interrupteur lumineux</i>	Switch	<i>Schalter</i>
18	670099 04	Compressore	<i>Compresseur</i>	Compressor	<i>Kompressor</i>
19	784486 00	Piastra evaporatore	<i>Évaporateur</i>	Evaporator plate	<i>Verdampfer</i>
20	620306 46	Corpo valvola gas caldo	<i>Electrovanne gas corp</i>	Hot gas valve body	<i>Heissgazventil gehäuse</i>
21	620306 48	Bobina valvola gas caldo	<i>Electrovanne gas bobine</i>	Hot gas valve coil	<i>Heissgazventil spule</i>
22	620167 21	Condensatore di marcia	<i>Condenseur marche</i>	Running capacitor	<i>Gangkondensator</i>
23	620167 00	Condensatore avviamento	<i>Condenseur depart</i>	Start capacitor	<i>Startkondensator</i>
24	620057 46	Relé avviamento	<i>Relais de démarrage</i>	Starting relay	<i>Anlaufrelais</i>
25	620058 78	Protettore termico	<i>Protection thermique</i>	Thermic protector	<i>Thermoschutz</i>
26	670006 01	Filtro ceramico	<i>Filtre ceramique</i>	Filter	<i>Filter</i>
27	784484 01	Assieme accumulatore isolato	<i>Ens. accumulateur</i>	Accumulator assy	<i>Sammler komplett</i>
28	650109 00	Corpo Valvola	<i>Corps de vanne</i>	Valve body	<i>Ventilgehäuse</i>
29	670012 00	Pistoncino valvola	<i>Piston</i>	Valve piston	<i>Ventilkolben</i>
30	650106 00	Cappuccio valvola	<i>Capuchon de vanne</i>	Valve cap	<i>Ventilklappe</i>

SD125 - TABELLA COMPRESSORI - TABLEAU COMPRESSEUR - COMPRESSOR CHART - KOMPRESSOR KARTE

Modello <i>Modele</i> Model <i>Modell</i>	Tensione <i>Volts</i> Tension <i>Spannung</i>	Mod. Compressore <i>Type compresseur</i> Compressor model <i>Kompressor typ</i>	Compressore <i>Compresseur</i> Compressor <i>Kompressor</i>	Relé <i>Relais</i> Relay <i>Relais</i>	Protettore <i>Protecteur</i> Protector <i>Schutzgerat</i>	Condens. di spunto <i>Capacité/demarrage</i> Start capacitor <i>Start kondensator</i>	Condens. di marcia <i>Capacité permanence</i> Run capacitor <i>Betrieb kondensator</i>
SD125	115/60/1	-	-	-	-	-	-
SD125	230/60/1	CAJ9510Z	670099 09	620057 50	620058 81	620167 00	620167 21
SD125	230/50/1	CAJ9510Z	670099 04	620057 46	620058 78	620167 00	620167 21

**SD125 - TABELLA COMPONENTI ELETTRICI - TABLEAU COMPOSANTS ELECTRIQUE
ELECTRIC COMPONENTS CHART - ELEKTRISCHEKARTE**

Modello <i>Modele</i> Model <i>Modell</i>	Tensione <i>Volts</i> Tension <i>Spannung</i>	Pompa <i>Pompe a eau</i> Water pump <i>Wasser pumpe</i>	Motore ventilatore <i>Moteur ventilateur</i> Fan motor only <i>Lufter motor</i>	Valv. ingr. acqua <i>V.e.m. arriveé eau</i> Water inlet valve <i>Wasserein. ventil</i>	Valvola gas caldo <i>V.E.M. gaz chauds</i> Hot gas valve <i>Heissgaz ventil</i>	Timer <i>Minuterie</i> Timer <i>Timer</i>	Contattore <i>Contacteur</i> Contactor <i>Schaltenschutz</i>
SD125	115/60/1	-	-	-	-	-	-
SD125	230/60/1	620415 01	620419 04 Fan Motor 620419 35 Fan Blade	650105 54 (Air/Water)	620306 48 - Coil 620306 46 - Body	620441 00	630119 00
SD125	230/50/1	620415 00	620419 04 Fan Motor 620419 34 Fan Blade	650105 54 (Air/Water)	620306 48 - Coil 620306 46 - Body	620441 00	630119 00

SIMAG

ICE MACHINES

www.simag.it

SIMAG
via Risorgimento, 4
20017 Mazzo di Rho (MI) - Italy
Tel. +39 02 93900215 (Commerciale - Sales Dept.)
Tel. +39 02 93960357 (Assistenza - Service Dept.)
Fax +39 02 93900226 (Commerciale - Sales Dept.)
Fax +39 02 93960366 (Assistenza - Service Dept.)
e-mail: sales@simag.it
e-mail: service@simag.it

Singapore Office
SIMAG FAR EAST
627A Aljunied Road
04-04 Biztech Centre
Singapore 389842
Tel. ++65 6738 5393
Fax ++65 6738 1959
e-mail: scotsice@singnet.com.sg



Certified ISO 9001
TOTAL QUALITY

