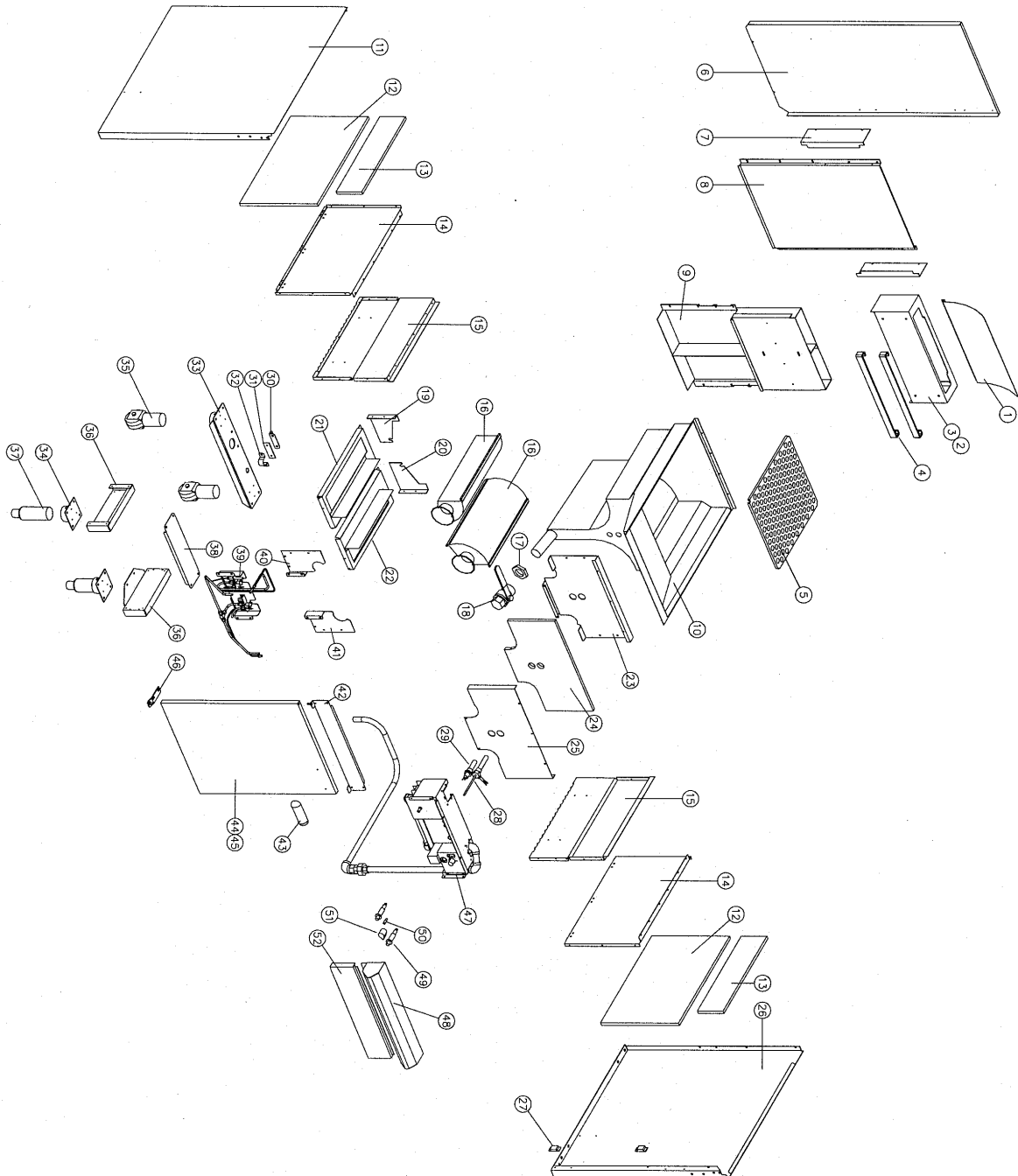


9. PARTS DIAGRAM

9.1 GT45

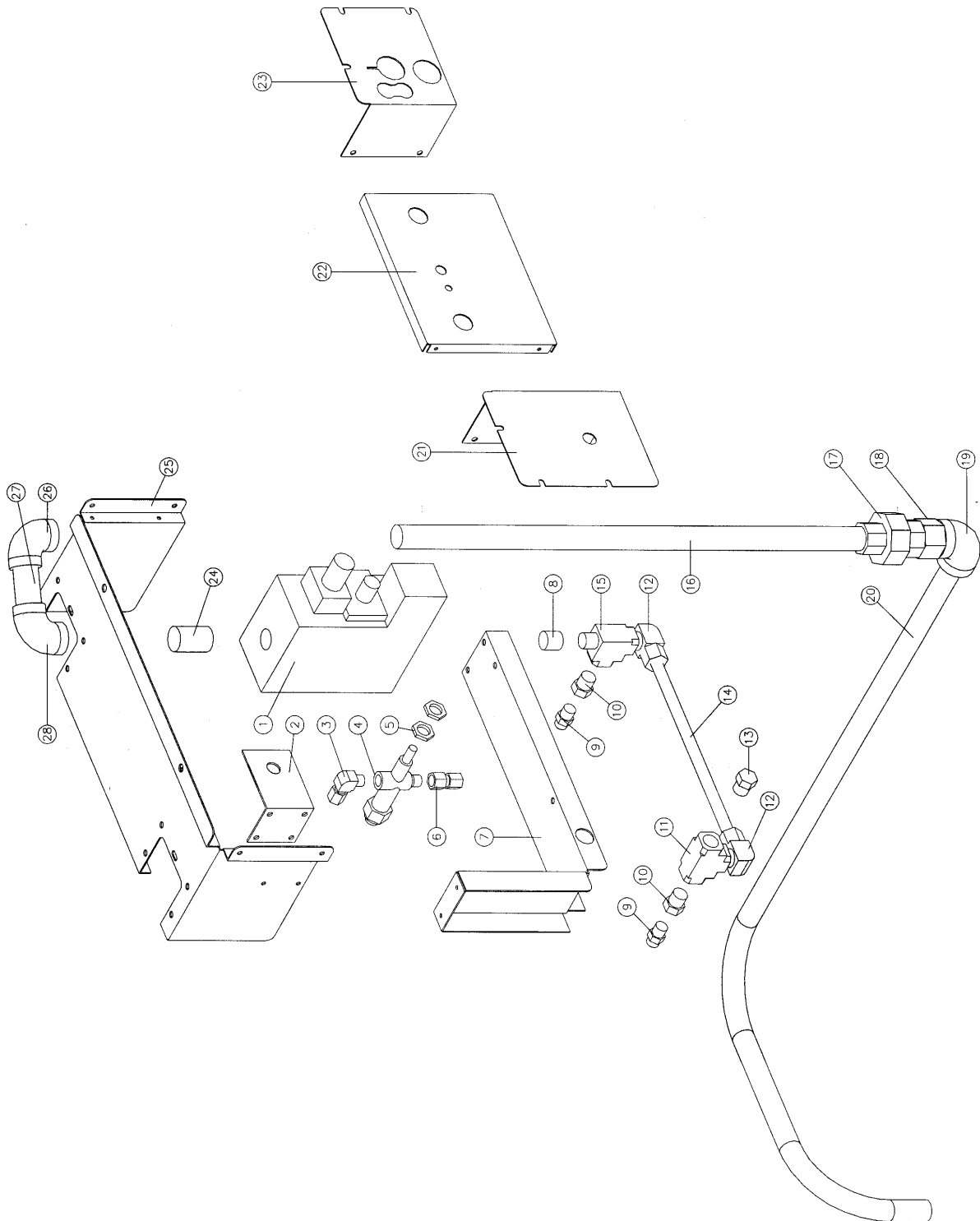
9.1.1 GT45 MAIN ASSEMBLY



Pos	Part No.	Description
1	020575	FLUE DIVERTER
2	018078	SPLASHBACK
3	018102	BASKET HANGER STIFFENER (NOT ILLUSTRATED)
4	018085	BASKET SUPPORT
5	020577	BASKET TRAY
6	018062	BACK PANEL

Pos	Part No.	Description
7	018170	FLUE INSULATION PANEL
8	018169	REAR INSULATION PANEL
9	018139	FLUE
10	004545	TANK
11	019651	CABINET SIDE - L.H
	025374	SIDE PANEL STIFFENER LH (FROM S/N 258271)
12	018167	SIDE INSULATION
13	-----	INSULATION
14	018168	SIDE INSULATION PANEL
15	018123	BURNER BOX SIDE
16	022575	BURNER KIT
17	018087	BACKNUT
18	018358	DRAIN VALVE
19	018255	BURNER SUPPORT - L.H
20	018124	BURNER SUPPORT - R.H
21	018236	BURNER BOX BASE - L.H
22	018237	BURNER BOX BASE - R.H
23	018126	BURNER BOX FRONT
24	-----	INSULATION
25	018128	INSULATION COVER
26	019652	CABINET SIDE - R.H
	025375	SIDE PANEL STIFFENER (FROM S/N 258271)
27	012172	MAGNETIC CATCH
28	018021K	THERMOSTAT
29	018022K	OVERTEMP
30	019657	PIPING SECURING BRACKET
31	011842	SPACER
32	010023	SADDLE CLAMP
33	004888	REAR FOOT CHANNEL
	004637	REAR FOOT CHANNEL (TO S/N 214535)
34	004634	FOOT MOUNTING PLATE
35	015139	CASTOR ASSEMBLY
	012776	CASTOR WHEEL ASSEMBLY
	015652	CASTOR YOKE
	011046	WHEEL - 75 mm
	014854	WHEEL PIN
36	025372	FOOT MOUNTING PLATE LH (FROM S/N 258271)
	025373	FOOT MOUNTING PLATE RH (FROM S/N 258271)
	019650	FOOT MOUNTING PLATE (TO S/N 258270)
37	014872	LEG ASSEMBLY - ADJUSTABLE
	014873	LEG TUBE
	010990	ADJUSTABLE
38	019660	FOOT BRACE
39	-----	PILOT ASSEMBLY (REFER SECTION 9.1.3)
40	020559	BURNER FRONT SUPPORT - L.H
41	020560	BURNER FRONT SUPPORT - R.H
42	020571	FRONT TOP BRACE
43	015279	HANDLE
44	018047	DOOR OUTER
45	018048	DOOR INNER (NOT ILLUSTRATED)
46	012623	BOTTOM PIVOT ASSEMBLY
47	-----	GAS CONTROL ASSEMBLY (REFER SECTION 9.1.2)
48	018053	TANK FRONT
49	020119	PIEZO IGNITOR
50	018171	THERMOSTAT STOP
51	018145	KNOB
52	004657	CONTROL COVER PANEL
NOT SHOWN		
	018019	BASKET
	018176	DRAIN STICK
	018155	LID
	023191	FISH PLATE (OPTIONAL EXTRA)

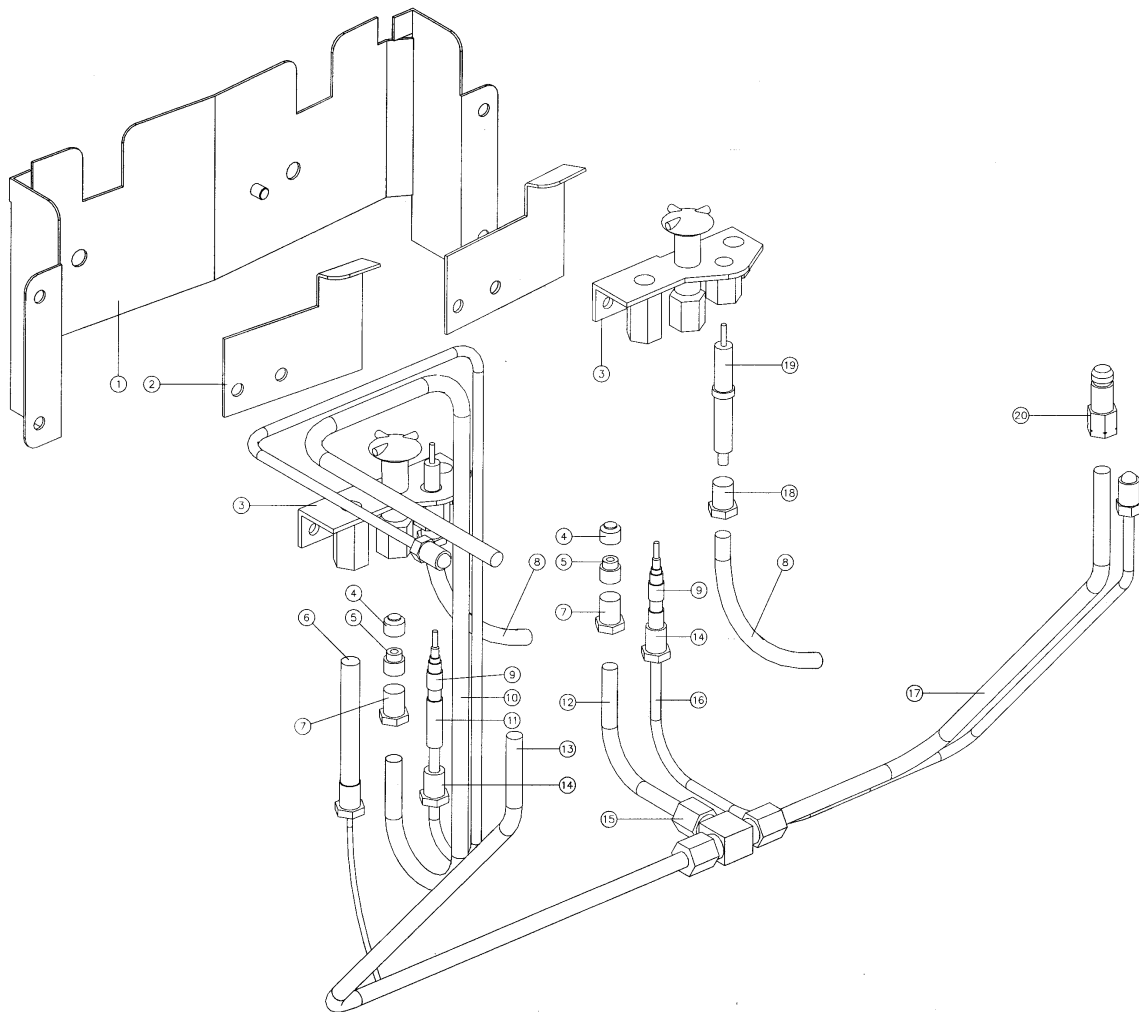
9.1.2 GT45 GAS CONTROL ASSEMBLY



Pos	Part No.	Description
1	018089K	GAS CONTROL KIT
2	018900	FLAME FAILURE VALVE BRACKET
3	013836	ELBOW - 1/8" M x 1/4" OLIVE
4	019237	FLAME FAILURE VALVE
5	018904	VALVE NUT
6	011742	CONNECTOR - 1/8" F x 1/4" OLIVE
7	018065	GAS CONTROL SUPPORT BRACKET

Pos	Part No.	Description
8	018598	REDUCER - $\frac{1}{2}$ " x $\frac{3}{8}$ "
9	032175	INJECTOR \varnothing 1.75mm - PROPANE GAS
	032300	INJECTOR \varnothing 3.00mm - NATURAL GAS
10	011601	REDUCER - $\frac{3}{8}$ " x $\frac{1}{8}$ "
11	018109	TEE - $\frac{3}{8}$ " F
12	019346	ELBOW - $\frac{3}{8}$ " M/F
13	018110	HEX PLUG - $\frac{3}{8}$ "
14	018112	SUPPLY TUBE
15	019016	TEE - $\frac{3}{8}$ " M/F
16	019654	SUPPLY PIPE
17	016044	UNION
18	011834	ADAPTOR - $\frac{1}{2}$ " x $\frac{3}{4}$ "
19	011830	ELBOW - $\frac{3}{4}$ " F/F
20	019653	SUPPLY PIPE
21	021624	CONTROL PANEL LH SIDE
22	004738	CONTROL PANEL
23	021626	CONTROL PANEL RH SIDE
24	013235	NIPPLE - $1\frac{1}{2}$ " x $\frac{1}{2}$ "
25	018063	CONTROL MOUNTING PANEL
26	015176	ELBOW - $\frac{1}{2}$ " F/F
27	018104	NIPPLE 2" x $\frac{1}{2}$ "
28	015176	ELBOW - $\frac{1}{2}$ " F/F

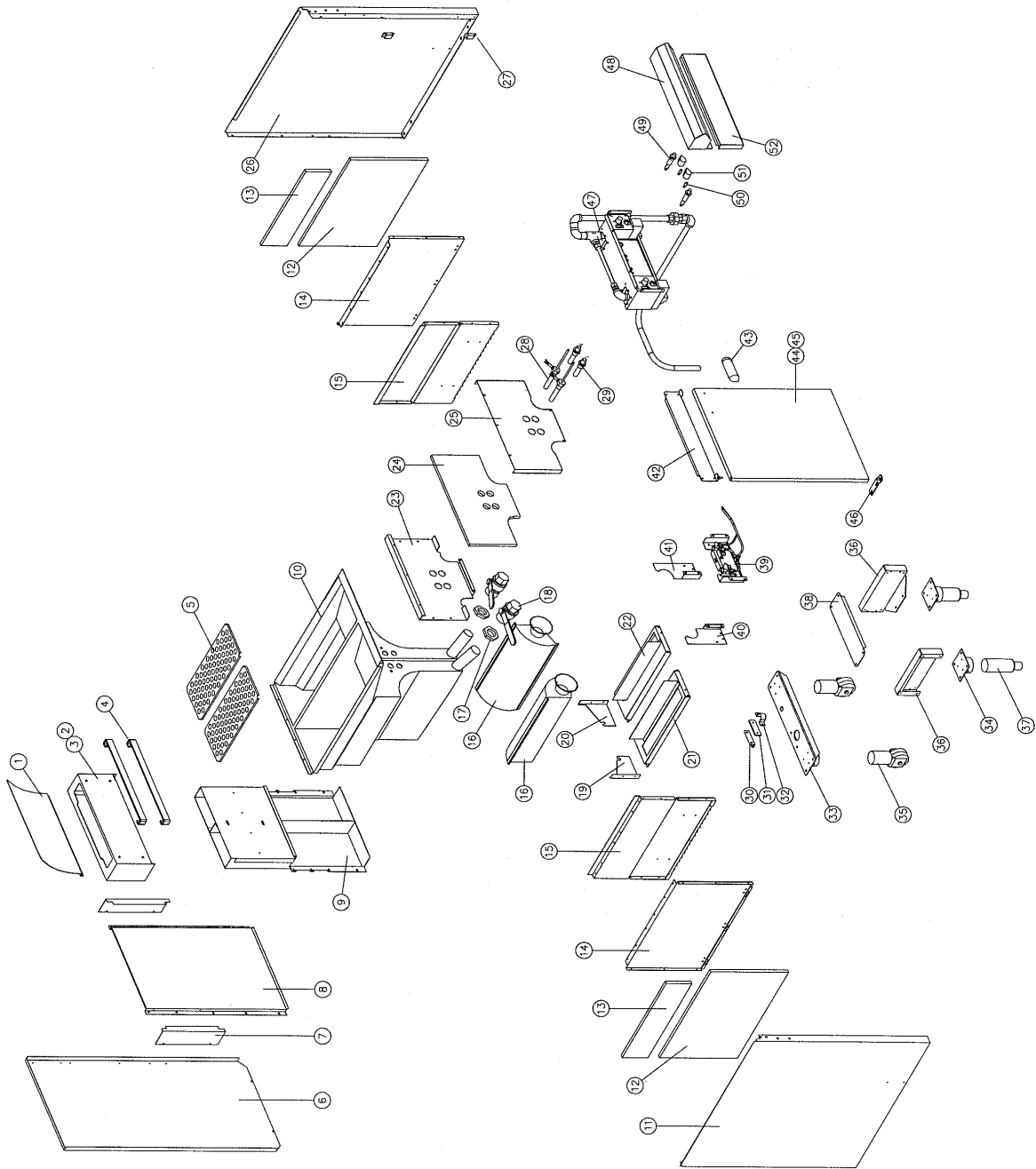
9.1.3 GT45 PILOT ASSEMBLY



Pos	Part No.	Description
1	019347	PILOT MOUNTING BRACKET
2	019661	PILOT SHIELD
3	025630K	PILOT BURNER KIT (INCLUDES ITEMS 4,5,7,14,18,19)
4	018971	PILOT INJECTOR Ø0.30mm - PROPANE GAS (INCLUDED AS PART OF ITEM 2)
	018972	PILOT INJECTOR Ø0.45mm - NATURAL GAS (INCLUDED AS PART OF ITEM 2)
5	019487	OLIVE - 1/4" COMPRESSION (INCLUDED AS PART OF ITEM 2)
6	018093	THERMOPILE
7	018740	NUT - 1/4" COMPRESSION (INCLUDED AS PART OF ITEM 2)
8	018095	H.T LEAD
9	018743	THERMOCOUPLE SPACER
10	018897	PILOT SUPPLY TUBE - L.H
11	018901	THERMOCOUPLE - L.H
12	018120	PILOT SUPPLY TUBE - BRANCH
13	018899	SAFETY SUPPLY TUBE - L.H
14	018741	THERMOCOUPLE NUT (INCLUDED AS PART OF ITEM 2)
15	018111	TEE - 1/4"
16	018094	THERMOCOUPLE - R.H
17	018898	MAIN PILOT SUPPLY
18	018742	ELECTRODE NUT (INCLUDED AS PART OF ITEM 2)
19	018744	PILOT ELECTRODE (INCLUDED AS PART OF ITEM 2)
20	018097	NUT & OLIVE

9.2 GT46

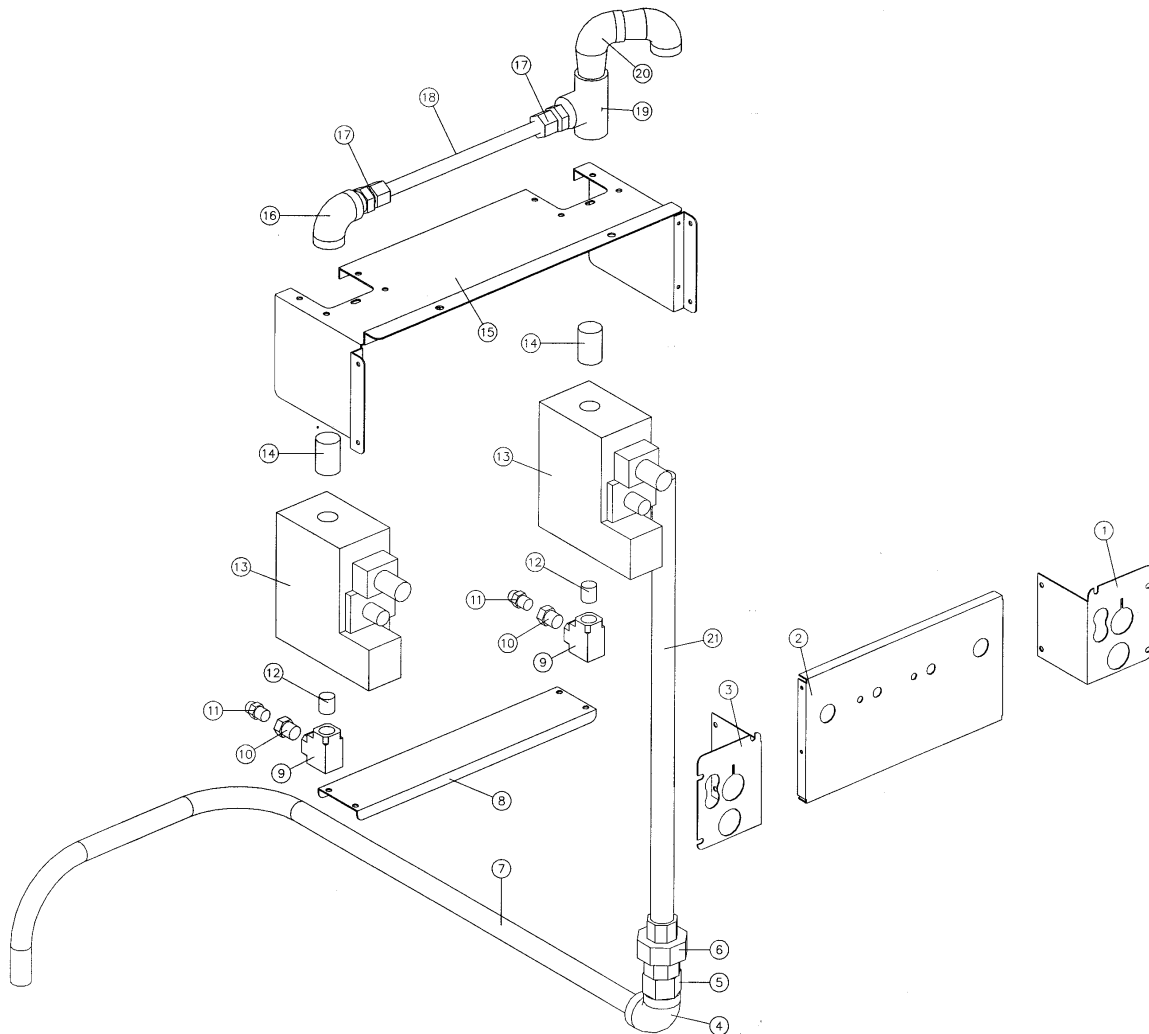
9.2.1 GT46 MAIN ASSEMBLY



Pos	Part No.	Description
1	020575	FLUE DIVERTER
2	018078	SPLASH BACK
3	018102	BASKET HANGER STIFFENER (NOT ILLUSTRATED)
4	018085	BASKET SUPPORT
5	020578	BASKET TRAY
	023191	FISH PLATE (OPTIONAL EXTRA – NOT ILLUSTRATED)
6	018062	BACK PANEL
7	018170	FLUE INSULATION PANEL
8	018169	REAR INSULATION PANEL

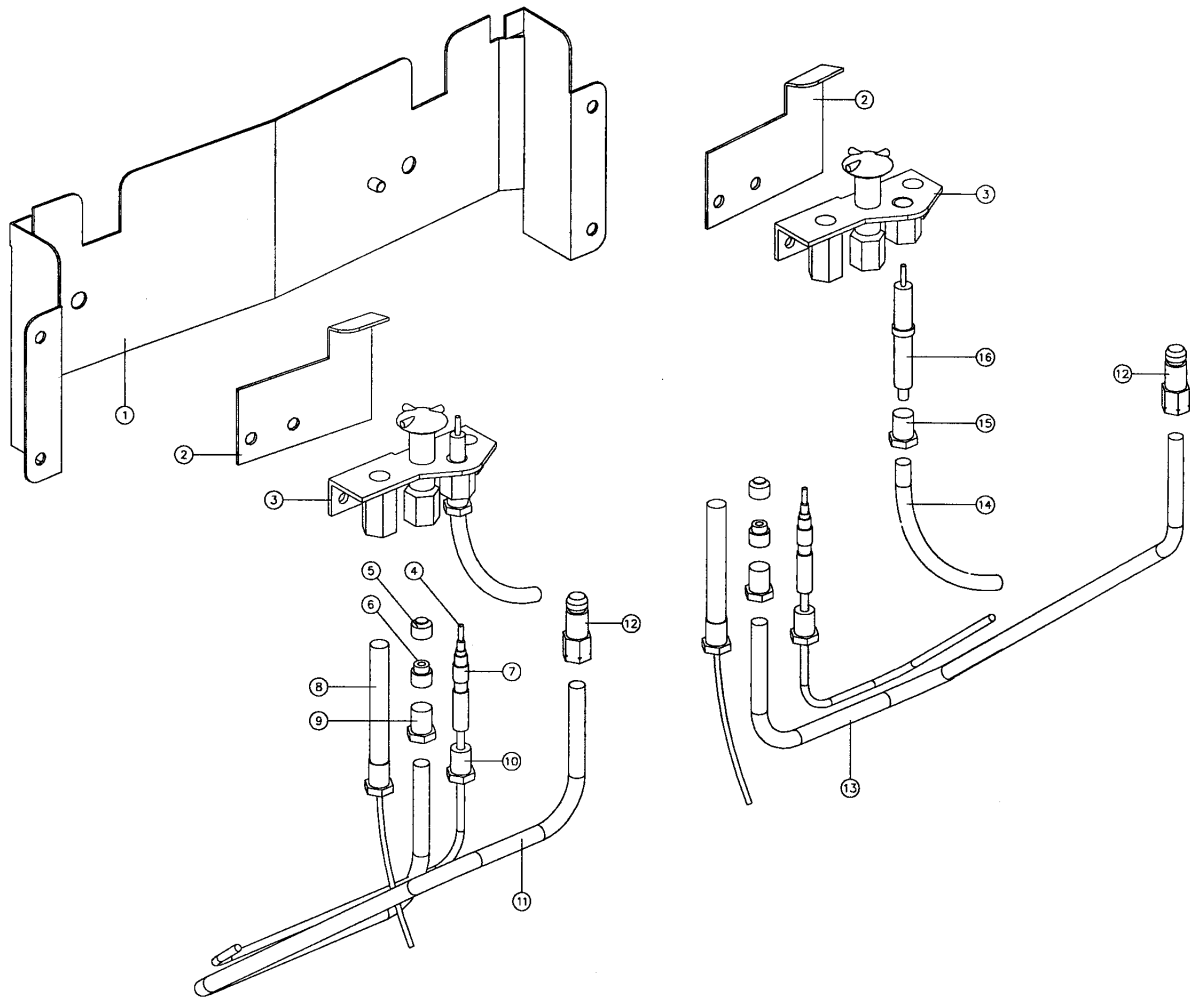
Pos	Part No.	Description
9	018139	FLUE
10	004546	TANK
11	019651	CABINET SIDE - L.H
	025374	SIDE PANEL STIFFENER LH (FROM S/N 258271)
12	018167	SIDE INSULATION
13	-----	INSULATION
14	018168	SIDE INSULATION PANEL
15	018123	BURNER BOX SIDE
16	022575	BURNER KIT
17	018087	BACKNUT
18	018358	DRAIN VALVE
19	018256	BURNER SUPPORT - L.H
20	018125	BURNER SUPPORT - R.H
21	018241	BURNER BOX BASE - L.H
22	018242	BURNER BOX BASE - R.H
23	018127	BURNER BOX FRONT
24	-----	INSULATION
25	018129	INSULATION COVER
26	019652	CABINET SIDE - R.H
27	012172	MAGNETIC CATCH
28	018021K	THERMOSTAT
29	018022K	OVERTEMP
30	019657	PIPING SECURING BRACKET
31	011842	SPACER
32	010023	SADDLE CLAMP
33	004888	REAR FOOT CHANNEL
	004637	REAR FOOT CHANNEL (TO S/N 214535)
34	004634	FOOT MOUNTING PLATE
35	015139	CASTOR ASSEMBLY
	012776	CASTOR WHEEL ASSEMBLY
	015652	CASTOR YOKE
	011046	WHEEL - 75 mm
	014854	WHEEL PIN
36	019650	FOOT MOUNTING PLATE
37	014872	LEG ASSEMBLY - ADJUSTABLE
	014873	LEG TUBE
	010990	ADJUSTABLE FOOT
38	019660	FOOT BRACE
39	-----	PILOT ASSEMBLY (REFER SECTION 9.2.3)
40	020561	BURNER FRONT SUPPORT - L.H
41	020562	BURNER FRONT SUPPORT - R.H
42	020571	FRONT TOP BRACE
43	015279	HANDLE
44	018047	DOOR OUTER
45	018048	DOOR INNER (NOT ILLUSTRATED)
46	012623	BOTTOM PIVOT ASSEMBLY
47	-----	GAS CONTROL ASSEMBLY (REFER SECTION 9.2.2)
48	018053	TANK FRONT
49	020119	PIEZO IGNITOR
50	018171	THERMOSTAT STOP
51	018145	KNOB
52	004657	CONTROL COVER PANEL

9.2.2 GT46 GAS CONTROL ASSEMBLY



Pos	Part No.	Description
1	021627	CONTROL PANEL RH END
2	004739	CONTROL PANEL
3	021625	CONTROL PANEL LH END
4	011830	ELBOW 3/4" F/F
5	011834	ADAPTOR 1/2" x 3/4"
6	016044	MACK UNION 1/2"
7	019653	SUPPLY PIPE
8	018064	GAS CONTROL SUPPORT BRACKET
9	019346	ELBOW 3/8" M/F
10	011601	REDUCER 3/8" x 1/8"
11	032175	INJECTOR - Ø1.75 mm (PROPANE GAS)
	032300	INJECTOR - Ø3.00 mm (NATURAL GAS)
12	018598	REDUCER 1/2" x 3/8"
13	018089K	GAS CONTROL KIT
14	013235	NIPPLE 1 1/2" x 1/2"
15	018063	CONTROL MOUNTING PANEL
16	015176	ELBOW 1/2" F/F
17	014408	CONNECTOR 1/2" x 1/2"
18	018113	SUPPLY TUBE
19	014407	TEE 1/2" F/F
20	013234	ELBOW 1/2" M/F
21	019655	SUPPLY PIPE

9.2.3 GT46 PILOT ASSEMBLY



Pos	Part No.	Description
1	019348	PILOT MOUNTING BRACKET
2	019661	PILOT SHIELD
3	025630K	PILOT BURNER KIT (INCLUDES ITEMS 5,6,9,10,15,16)
4	018094	THERMOCOUPLE
5	018971	PILOT INJECTOR - Ø0.30 mm - PROPANE GAS (INCLUDED AS PART OF ITEM 3)
	018972	PILOT INJECTOR - Ø0.45 mm - NATURAL GAS (INCLUDED AS PART OF ITEM 3)
6	019487	OLIVE - 1/4" COMPRESSION (INCLUDED AS PART OF ITEM 3)
7	018743	THERMOCOUPLE SPACER
8	018093	THERMOPILE
9	018740	NUT - 1/4" COMPRESSION (INCLUDED AS PART OF ITEM 3)
10	018741	THERMOCOUPLE NUT (INCLUDED AS PART OF ITEM 3)
11	018117	PILOT SUPPLY TUBE - L.H
12	018097	NUT & OLIVE
13	018118	PILOT SUPPLY TUBE - R.H
14	018095	H.T LEAD
15	018742	ELECTRODE NUT (INCLUDED AS PART OF ITEM 3)
16	018744	ELECTRODE (INCLUDED AS PART OF ITEM 3)