

Lincat

EB3, EB4 & EB6
Automatic Fill Water Boilers

**INSTALLATION, USER &
SERVICING INSTRUCTIONS**

Contents

Introduction	3
Accessories	
Warnings and Precautions	4
Installation Preparation	5
Work Surfaces and Areas	
Water Connection	
Electrical Connection	
Overflow and Drainage	
Installation	6 - 9
Work Surface Installation	
Wall Bracket Installation	
Fixing the Wall Bracket to the Boiler	
Fitting the Spillage Tray	
Connection of the Water Supply	
Overflow and Drainage	
Electricity Supply	
Commissioning the Appliance	
Note to the Installation Engineer	
User Instructions	10 - 11
Operating the Appliance	
Cleaning	
Scale	
De-scaling the Appliance	
Technical Specifications	12
Maintenance	13
Troubleshooting	
Spare Parts	14 - 15
Tank assembly	
Base assembly	
Body assembly	
Wiring and Circuit Diagrams	16 - 17
EB3 Wiring diagram	
EB4 Wiring diagram	
EB6 Wiring diagram	
Circuit diagram	
Spare Parts List	18
Replacing Parts	19 - 20
Thermostat	
Contactor	
Circuit board	
Neon	
Faucet	
Tank	
Protective device	
Service	21
Authorised service agents	
Guarantee	

Introduction

Lincat automatic fill water boilers are designed for continuous operation and should only be switched off for the purposes of maintenance or emergency.

Accessories

The new boiler is supplied with the following components and should be verified before installation.

- Approved flexible water connection hose.
- Pack of de-scaling compound.
- Spillage tray and grid.
- Instruction booklet.
- Guarantee card.

The EB3 model is supplied with a 3 pin bonded plug and lead fitted with a 13Amp fuse as standard.

The EB range of boilers is surface mounted and carries the option of being wall mounted. Wall fixing kits are an optional extra.

The EB range has a unique drainage system to allow for ease of tank evacuation during routine de-scaling of the appliance. It is not necessary to invert the appliance during the de-scaling procedure.

These instructions must be retained for safekeeping and for future reference.

Please read carefully all the instructions before commencing with the installation and commissioning of the appliance.

Warnings and Precautions

Please read the following carefully before commencing work on this equipment.

A competent installation engineer, in accordance with the installation instructions of this appliance and all relevant local and national standards including the following must install this appliance:

- Health and Safety at Works Acts
- IEE regulations
- BS Codes of Practice
- Local and National Building Regulations
- Fire Precautions Act 1971
- EN 60335-1:1994, EN 60335-2-21:1999, EN 60335-2-63:1993, EN 60529:1992 and BS 3456 part 102 section 102.21:1988

It is mandatory that all appliances are installed, commissioned and serviced by a qualified and competent person as defined by the regulations in force in the country of installation.

During normal use of the appliance certain surface areas will become hot. These areas are especially in the vicinity of the facet and spigot. Care should be taken to avoid potential injury from burns and scolding whilst operating the appliance.

Scale formation within hot water appliances is problematic and more so in hard water areas. Damage to the appliance caused by excessive scale build up may invalidate the warranty – see notes on de-scaling.

Use only the supplied parts with the appliance. Introducing foreign components not approved by the manufacturer may cause tainting of the water and may also invalidate the warranty.

Do not place foreign objects in the tank of the appliance.

Parts explosion, circuit and wiring diagrams are the sole property of Lincat and must not be reproduced without the consent of the manufacturer.

Installation Preparation

Work Surfaces and Areas

- Ensure that the work surface upon which the appliance is to be sited is capable of sustaining the working weight of the appliance.
- Consideration should be given for servicing requirements.
- Ensure that safe operational access to the appliance is unrestricted.
- Do not site the appliance directly beneath wall cupboards, other wall mounted appliances and low ceilings that are susceptible to damage from water vapour.
- Where the appliance is to be wall mounted it is recommended that the safe working height from the floor to the faucet is approximately 1400mm.

Water Connection

- Connection to the cold water supply and the appliance is made via the hose supplied. The hose can be found inside the tank of the appliance and must be removed before installation and commissioning.
- In hard water areas it is advisable to fit a filtration unit to limit scale deposits. A filter kit is available as an optional extra.

Electrical Connection

- All electrical work must comply with all relevant wiring regulations and carried out by a qualified electrician.
- EB3 models require a 13Amp-supply socket.
- EB4 models require a 20Amp supply.
- EB6 models require a 30Amp single or multi-phase supply.
- Isolation switches for the appliance must not be obstructed and be within easy reach.

Overflow and Drainage

- Due to the electronic function of the water boiler it is highly unlikely than an overflow would occur. The boiler is primarily designed so that any overflow occurrence and condensation is directly vented to the spillage tray.
- As an option the boiler overflow outlet may be connected to a drainage system.

Note: There may some steam emissions from the vent at the base of the appliance during the initial fill stages but the steam emissions will lessen as the volume of water increases in the tank. As an alternative the internal flexible hose may be redirected. See notes on Overflow and Drainage in the Installation section.

WARNING. The flexible hose connected from the over flow also acts as a vent for the appliance. **Under no circumstances should this flexible hose become blocked or restricted in any way.**

Installation

Qualified personnel must carry out all installation work.

Work Surface Installation

The work surface onto which the appliance is to be sited must have the relevant physical properties to sustain the working weight of the relevant appliance.

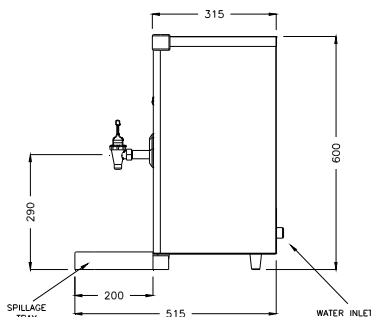
Working Weights	
EB3	30.5kg
EB4	34.5kg
EB6	46kg
EB6T	46kg

If water, electrical and drainage services are to be brought through the work surface ensure there is sufficient cable slack, movement for the flexible inlet hose and drain tubing (optional) to allow for free access maintenance and service personnel.

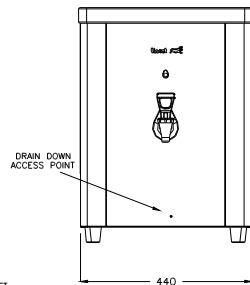
Where electrical sockets or electrical isolation points are fixed below the work surface then these points must not be able to come into contact with water. Access to electrical isolating points must not be obstructed in case of emergency. Instruction to the owner of the appliance must be given on how to isolate the appliance in case of emergency.

The work surface must have a minimum depth of 600mm.

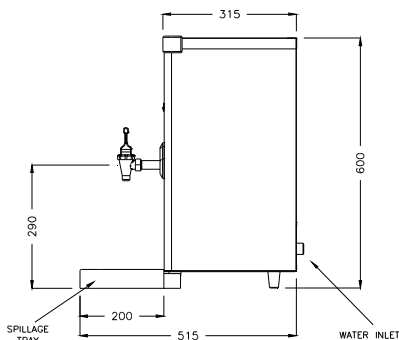
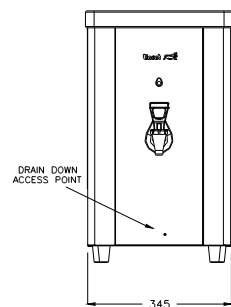
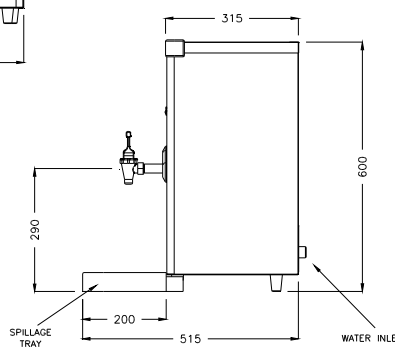
The spillage tray must be fitted with the appliance



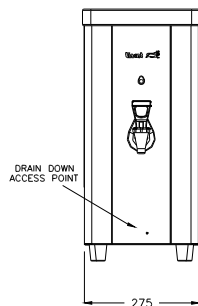
EB4 dimensional details



EB6 dimensional details



EB3 dimensional details



Wall Bracket Installation

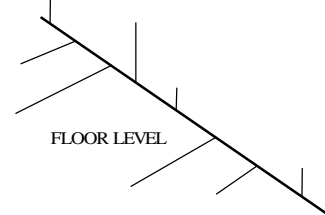
Where the appliance is to be mounted to a wall ensure the wall is constructed of a suitable material to sustain the working weight of the boiler.

- To fit the wall bracket make a centre mark on the wall at approximately 1400mm from the floor.
- In the orientation shown, align the hole in the centre rib of the wall bracket with the centre mark on the wall.
- Ensuring the wall bracket is level, mark out the remaining holes.
- Drill 4 off 7mm diameter holes using a suitable masonry drill at a depth to accommodate the wall-fixing plugs issued with the bracket.
- Fit the wall-fixing plugs and attach the wall bracket using the screws issued with the wall bracket.



Fixing the Boiler to the Wall Bracket

- Align the upper wall bracket tabs with the slots in the top of the back panel on the boiler.
- Align the lower wall bracket tabs with the slots in the base of the boiler.
- Clip the boiler into place.
- The boiler must be secured to the base of the bracket using M5 screws.



Fitting the Spillage Tray Bracket

- Remove the four feet from the base of the boiler.
- Secure the spillage tray bracket to the base of the boiler using the four feet fixing positions. The bracket is to be fitted with M5 screws issued with the bracket. Longer screws may damage components within the boiler and therefore invalidate the warranty.
- Fit the spillage tray to the bracket.

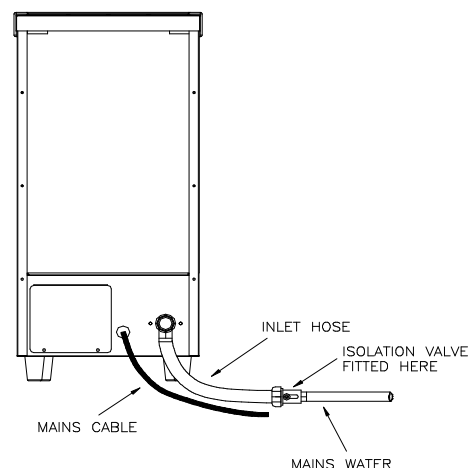
Do not attach electrical cables or water supply pipes to the wall bracket.

Connection of the Water Supply

The minimum working pressure of the appliance is 20kPa (0.2Bar).

The maximum working pressure of the appliance is 1000kPa(10Bar).

- The appliance is to be plumbed to a suitable drinking water supply that complies with national Water Bylaws.
- The recommended connection is made via the flexible hose supplied with the appliance. The fittings are 3/4" BSP.
- The main water supply must have a double check valve fitted.
- It is advisable to fit an isolation valve to the main water supply and that where possible the flexible hose is connected directly to it before connection to the appliance is made. There must be unrestricted access to the isolating valve.
- To minimise the scale build up in hard water areas the optional filter kit may be connected between the water isolating valve and the appliance.



- Connection of the appliance to the water supply must also allow for reasonable service access unless the appliance is situated in high-risk areas.

Overflow and Drainage

- The overflow from the tank is connected via a flexible tube to a vent port mounted internally of the appliance.
- The primary function of this feature is to capture the small amounts of condensed steam produced during normal operation of the appliance.
- In the unlikely event of an overflow occurrence the spillage tray has a limited capacity and should not be deemed as a safeguard against overflow.
- As an option the flexible tube can be removed from the lower internal vent and redirected through the base to a suitable drainage system.
- The drainage system to which the flexible tube is to be connected must have a continuous fall and have a greater diameter than that of the flexible tube. Alternatively, the flexible tube can be directed to a gully where no risk of contact with hot water by persons using the building can be considered as a means of safe drainage.
- The flexible tube must not be connected directly to a soil system.
- The tube from the overflow must remain connected to the overflow on the tank.
- The overflow tube must never become blocked or restricted in any way.

Electricity Supply

All appliances must be earthed.

The EB3 model is supplied with a 3 pin bonded plug and lead fitted with a 13Amp fuse as standard. The plug is to be connected to a suitable mains socket. The wiring markings are as follows: -

LIVE wire colour BROWN with terminal marked L

NEUTRAL wire colour BLUE with terminal marked N

EARTH wire colour GREEN/YELLOW with terminal marked E or 

All appliances with an electrical loading of over 3kW must be connected to the supply by a qualified electrician in accordance with Health & Safety at Works Act, IEE regulations, BS codes of practice, Building Standards, Local Authority and Building regulations etc. A suitable means of disconnecting such units from the supply must be provided, having at least 3mm contact separation at all poles.

The EB4 model should be wired to at least a 20Amp single-phase supply via an isolation switch. The isolation switch must be so positioned for immediate access in case of emergency shut down.

The EB6 model should be wired to at least a 30Amp single phase or multi-phase supply via an isolation switch. The isolation switch must be so positioned for immediate access in case of emergency shut down.

- To wire the EB4 and EB6 models remove the access panel at the rear of the appliance.
- Remove the TEST WIRES from the terminal block and cable gland.
- For EB6 models to be wired from a multi-phase supply remove the LINK wire from the terminal block.
- Introduce the new cable from the isolation switch to the appliance via the cable gland and wire to the terminal block as follows:-

LIVE wire colour BROWN with terminal marked L

NEUTRAL wire colour BLUE with terminal marked N

EARTH wire colour GREEN/YELLOW with terminal marked E or 

- Secure all wiring and connections.
- Replace the access panel.
- Electrically test the appliance.

Commissioning the Appliance

- Remove all protective plastic coating.
- Check that the drain down valve is closed.
- Ensure that the upper and lower level sensors are in a vertical position.
- Ensure that all lids are fitted correctly.
- Ensure that the faucet is in the closed position.
- With all appropriate services connected turn on the water supply.
- Switch on the electricity supply. The illumination of the green neon will signify "power on" to the appliance.
- The appliance will now begin to fill with water.
- Upon the water reaching the lower element sensor the solenoid will close and the element(s) will begin to heat the water.
- Approximate heating times for the initial fill is: -

EB3 – 12 minutes	EB4 – 9 minutes	EB6 – 9 minutes
------------------	-----------------	-----------------

- After the initial fill allow a further 5 minutes after which approximately 1liter of hot water will be available for use.
- Upon reaching maximum temperature the appliance will call for more water. This is the start of the cycle.
- The appliance will continue to cycle until the water level reaches the upper level sensor.
- Approximate fill cycle times from the lower sensor to the upper sensor are: -

EB3 – 27 minutes	EB4 – 32 minutes	EB6 – 35 minutes
------------------	------------------	------------------

- Upon the water reaching the upper level sensor the appliance will switch into standby mode.
- As hot water is drawn off, the appliance will automatically begin to cycle until the water reaches the upper level sensor.

Note to Installation Engineer

- Instruct the end user on the operating features of the appliance.
- Instruct the end user how to isolate all services in case of emergency.
- Instruct the end user on cleaning and de-scaling of the appliance.
- Advise the end user that these instructions should be retained for safekeeping.

User Instructions

- Retain these instructions for future reference.
- Ensure that the spillage tray is in the correct position before operating the appliance.
- Care should be taken to avoid injury whilst operating the appliance at the water temperature is maintained at approximately 98 °C.
- Only qualified personnel should attempt any routine or necessary maintenance work on the appliance.

Operating the Appliance

- Place a cup or suitable hot water container, central to the tap, upon the spillage tray.
- To draw off hot water, pull the faucet handle towards the user. Hot water will be dispensed at a steady flow until the water capacity is reduced to the level of the spigot. Upon releasing the faucet handle, the handle will return to the closed position.
- For larger containers the faucet handle may be pulled to the horizontal position thereby locking the faucet open. The faucet handle will then have to be manually returned to the closed position. **Warning.** Whilst the faucet handle is in the locked open position the appliance must not be left unattended.
- As hot water is drawn off the appliance will automatically begin the fill cycle. The filling cycle will continue until the appliance goes into standby mode. The length of the fill time to full capacity depends upon the volume of hot water drawn off.
- Do not remove the lids from the appliance whilst in full operation as these parts become hot.

Cleaning

To clean the appliance use only a soft damp cloth and mild detergent. Do not use abrasives on the mirror-finished surfaces as damage may result. Care should be taken when cleaning outer surfaces whilst the appliance is in full operation as certain areas become hot during normal operation.

It will be necessary from time to time during normal operation to inspect the spillage tray for water. Empty the spillage tray as and when necessary.

Warning. The appliance is not protected against the ingress of water. The appliance must not be submerged for cleaning purposes. Do not use water jet spray cleaning equipment on the appliance. The appliance is splash protected and has the code IP24B.

Scale

The formation of scale within a hot water system is common and if left unchecked may cause problems to the functioning of the appliance. In hard water areas scale formation builds up quicker than in softer water areas therefore checks on scale formation need to be more frequent. It is advisable, in order to prevent injury, the appliance be isolated and allowed to cool before inspecting for scale deposits within the tank.

Warning. Under no circumstances should this appliance be connected to the outlet of a water softener.

Please note that the manufacturer's guarantee will be void if faults arise which are due to excessive build up of scale.

To help prevent scale build up a filter system can be installed with the appliance. The filter is available as an optional extra upon request.

De-scaling the Appliance

It is recommended that the appliance be de-scaled regularly. Excessive scale deposits may become difficult to remove with some de-scaling products.

- To de-scale the appliance, isolate the appliance from the water and electricity supply.
- Allow the water to cool to prevent possible injury when removing parts.
- Remove the outer and inner lids.
- Add the de-scaling compound, a little at a time, to the cooled water. Some de-scaling compounds may cause hot water to erupt. It is advisable to follow the instructions of the manufacturers.
- Replace the inner and outer lids of the appliance.
- Turn on the water and electricity supply.
- Allow the appliance to heat and run in standby mode for approximately 30 minutes, after which, isolate the services and allow the water to cool.
- Remove the lid system and inspect the tank for scale deposits. In the case of severe scale deposits it may be necessary to repeat the de-scaling process.
- On completion of successful de-scaling, evacuate the tank via the faucet. To complete the evacuation of the tank, move, if possible, the appliance so that the leading edge of the appliance over hangs the work surface not exceeding 30mm. Place a suitable container directly below the appliance over hang to capture the discharge from the tank. If it is not possible to move the appliance on the work surface the remaining contents of the tank can be drained into the spillage tray. Note. The spillage tray has a small limited capacity. Where the appliance is wall mounted the container can be placed beneath the appliance.
- Examine the level sensor housings for scale build up and other deposits, clean as necessary. Failure to do so may incur problems with tracking from sensor housing to the tank wall thereby giving false signals to the circuit board and ultimately cause failure of the appliance.
- Insert a flat bladed screwdriver into the drain valve screw and rotate anti-clockwise to loosen the screw. Continue to rotate the screw anti-clockwise until a steady flow is observed from the valve.
- Evacuate the tank completely and close the valve by rotating the valve screw clockwise. Ensure the valve screw is fully home.
- It will be necessary to purge the tank, turn on the water and electricity supply and allow the appliance to fill. Do not fill the tank manually with water as spillage may damage the electrical components of the appliance and therefore invalidate the warranty.
- Drain the tank as described above and refill the appliance.
- If the water is free of tainting that may be caused by the use of some de-scaling compounds then the appliance is ready for use.

Technical Specifications

Dimensions

Model	Height	Width	Depth
EB3	600mm	275mm	315mm
EB4	600mm	345mm	315mm
EB6	600mm	440mm	315mm
EB6/T	600mm	440mm	315mm

Weight

Model	Dry	Working
EB3	13.5kg	30.5kg
EB4	15kg	34.5kg
EB6	18.5kg	46kg
EB6/T	18.5kg	46kg

Capacities

Model	Working	Total
EB3	10 litres	16 litres
EB4	13 litres	20.5 litres
EB6	18 litres	27.5 litres
EB6/T	18 litres	27.5 litres

Heat Up Time

Model	From empty to lower level sensor	From lower level sensor to upper level sensor
EB3	12 minutes	27 minutes
EB4	9 minutes	32 minutes
EB6	9 minutes	35 minutes
EB6/T	9 minutes	35 minutes

Rates

Model	Faucet	Rapid draw off	Recovery	Output
EB3	7.5 lmin ⁻¹	10 litres	0.4 lmin ⁻¹	22 lhour ⁻¹
EB4	7.5 lmin ⁻¹	13 litres	0.42 lmin ⁻¹	24 lhour ⁻¹
EB6	7.5 lmin ⁻¹	18 litres	0.54 lmin ⁻¹	31 lhour ⁻¹
EB6/T	15 lmin ⁻¹	18 litres	0.54 lmin ⁻¹	31 lhour ⁻¹

Note. Assuming both faucets are used simultaneously on the EB6/T

Drain Down

Model	Full to Faucet	Faucet to Empty
EB3	1.4 minutes	2 minutes
EB4	1.8 minutes	2.75 minutes
EB6	2.4 minutes	3.5 minutes
EB6/T	1.2 minutes	3.5 minutes

Note. Assuming both faucets are used simultaneously on the EB6/T

Electrical

Model	Volts	Amps	Watts
EB3	230 — 240	13.04 — 12.5	3000
EB4	230 — 240	19.56 — 18.75	4500
EB6	230 — 240	26.08 — 25	6000
EB6/T	230 — 240	26.08 — 25	6000

Maintenance

Qualified personnel must carry out all maintenance work on the appliance.

Before commencing work on the appliance the electricity and water supplies must be isolated.

When replacing parts use only parts recommended by the manufacturer.

De-scale the appliance regularly. Severe scale deposits may block the drain valve. Prodding through the tank-connector may puncture the drain hose.

Trouble-shooting

Fault	Probable Cause	Remedial Action
Will not fill	Solenoid inlet blocked.	Clean solenoid filter
	Severe scale build-up between upper and lower level sensors and the tank body.	De-scale the appliance
	Water ingress between upper and lower level sensor housings and tank body.	Clean and dry sensor housings. Replace washers as necessary.
	Circuit board relay RL1 locked open circuit.	Replace PCB
	Circuit board relay RL2 locked open circuit.	Replace PCB
Continuous boil	Severe scale build-up on thermostat bulb. Thermostat fails to sense water temperature.	De-scale the appliance
	Contactors locked on.	Replace contactor
	Thermostat failed closed circuit.	Replace thermostat
Will not heat	Loss of continuity on from circuit board to lower sensor	Check red wire for continuity, connection to lower sensor. Replace circuit board if necessary
Overflow	Thermostat failed open circuit during heating cycles.	Replace thermostat
	Circuit board relay RL1 locked closed circuit.	Replace PCB
	Solenoid locked open.	Ingress of foreign material. Replace solenoid

In the unlikely event of thermostat failure noticeable steam emissions will be observed from the base of the appliance in the vicinity of the spillage tray. In such event the appliance should be isolated from the main electrical and water supplies. A service engineer should be then contacted to facilitate repair.

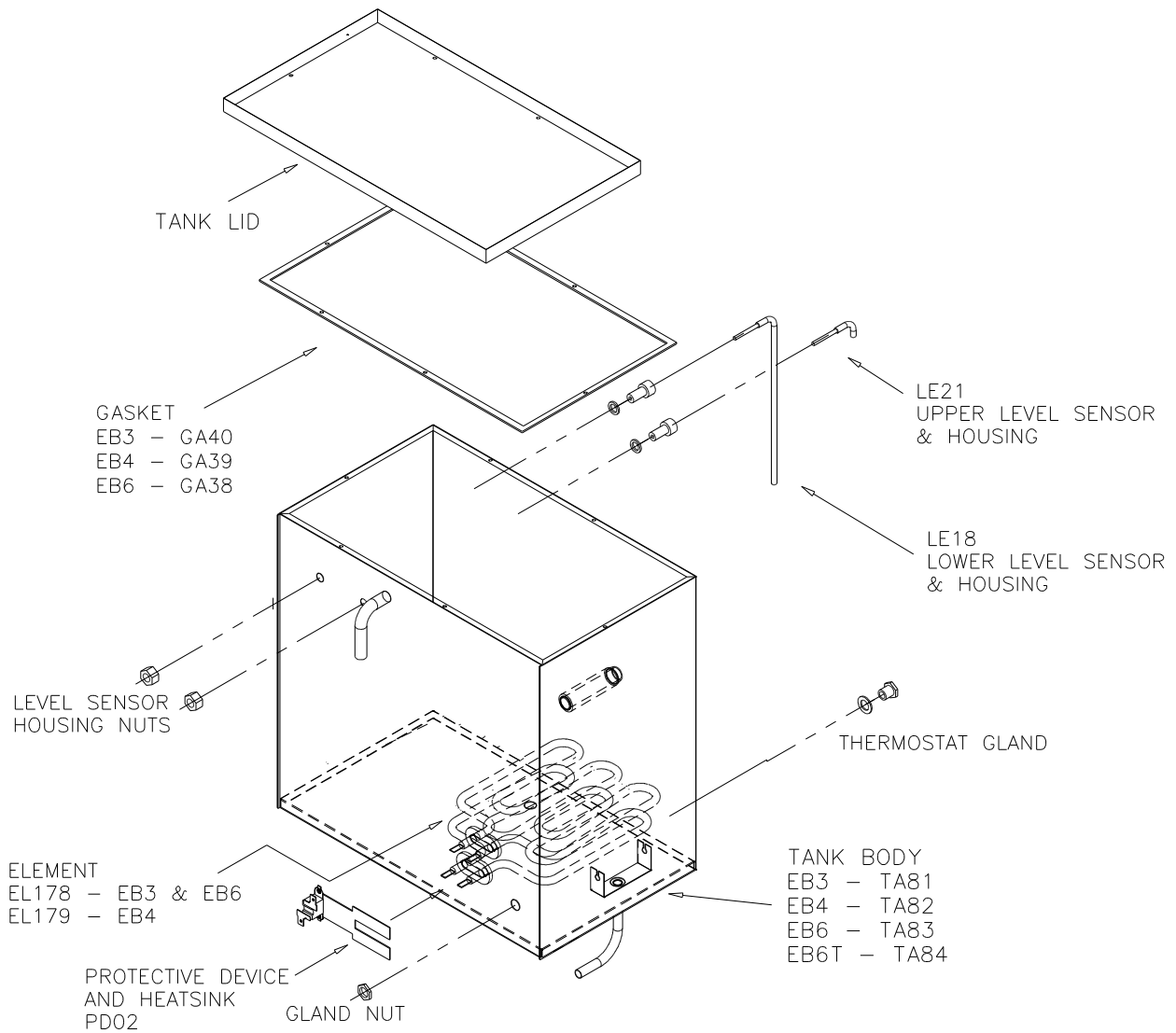
Spare Parts

Before removing and replacing any part on the appliance the appliance must be isolated from the water and electricity supply.

Replacement of parts must be parts approved by the manufacturer.

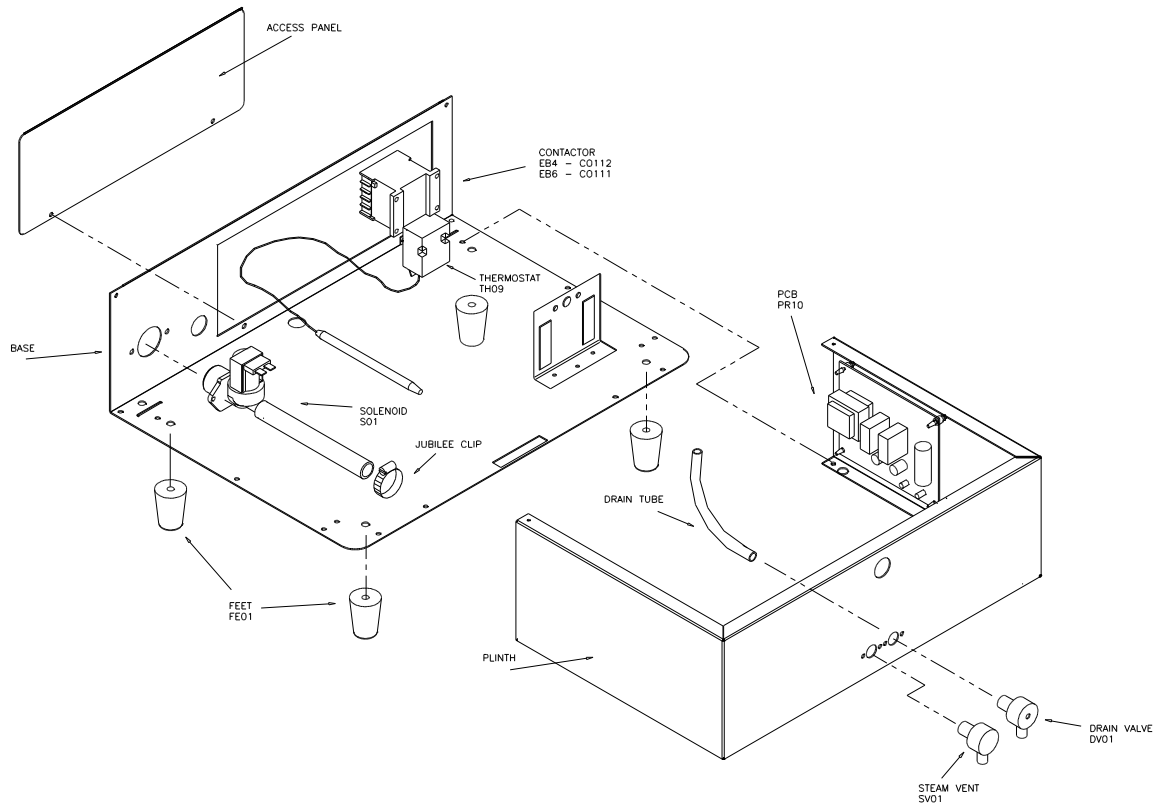
Some parts are not shown in the parts explosion diagrams, as they are non-serviceable.

Tank Assembly



Note: The tank lid is inclusive with the tank when the tank is ordered as a spare part. Tank bodies are separate from all other items detailed.

Base Assembly



Body Assembly

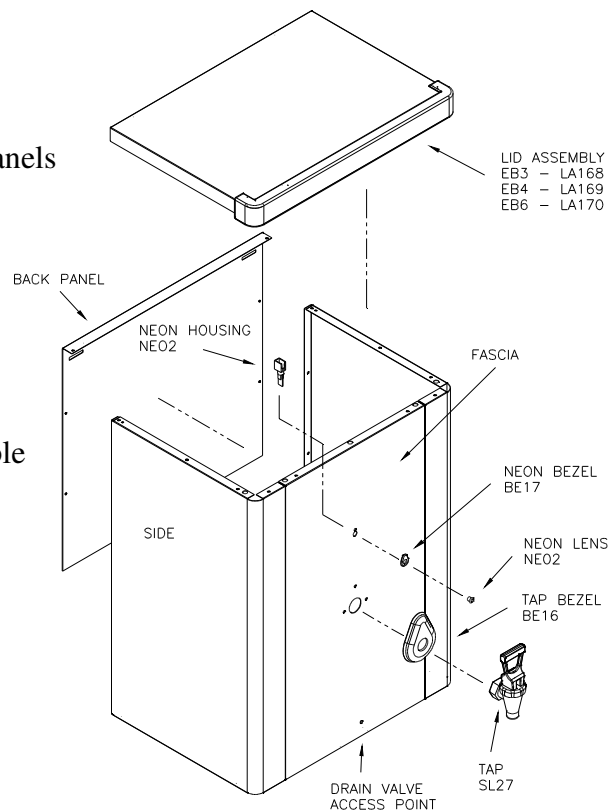
The body manufactured as a complete part, panels are not available separately.

The lid bezel is fitted to the lid; clips are required in the fitting.

The tap bezel is screwed to the bodywork.

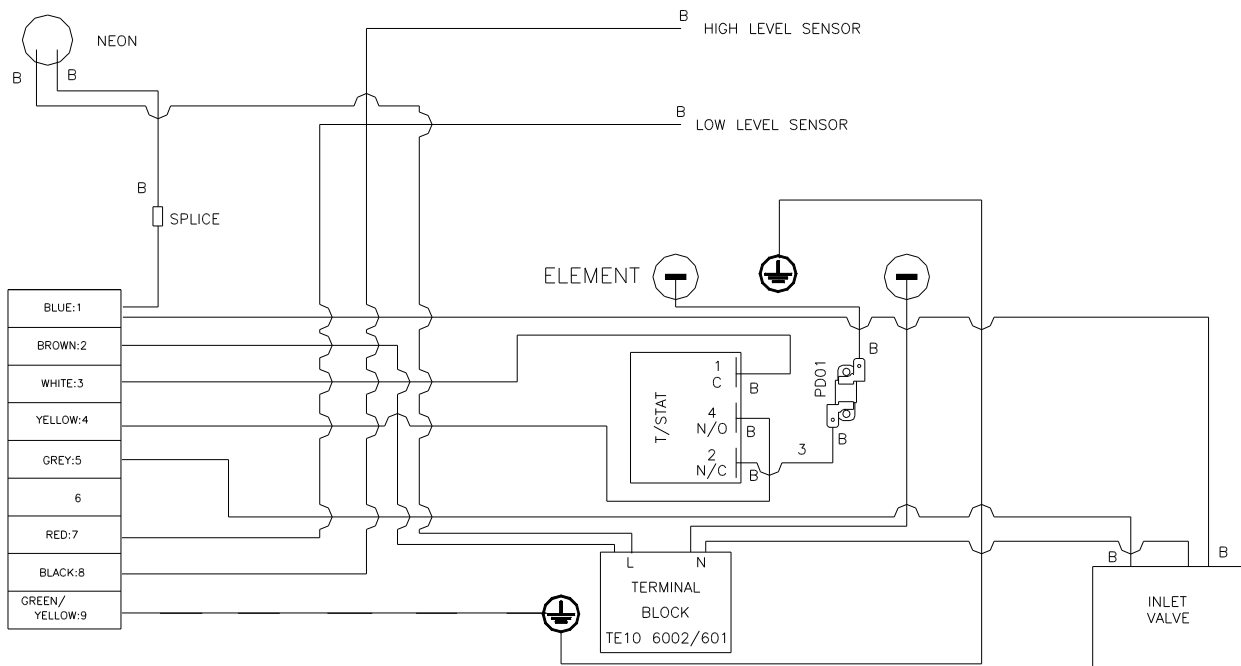
The neon lens and neon housing are serviceable parts.

Tap nut (SL20) and circlip (SL21) are not shown.

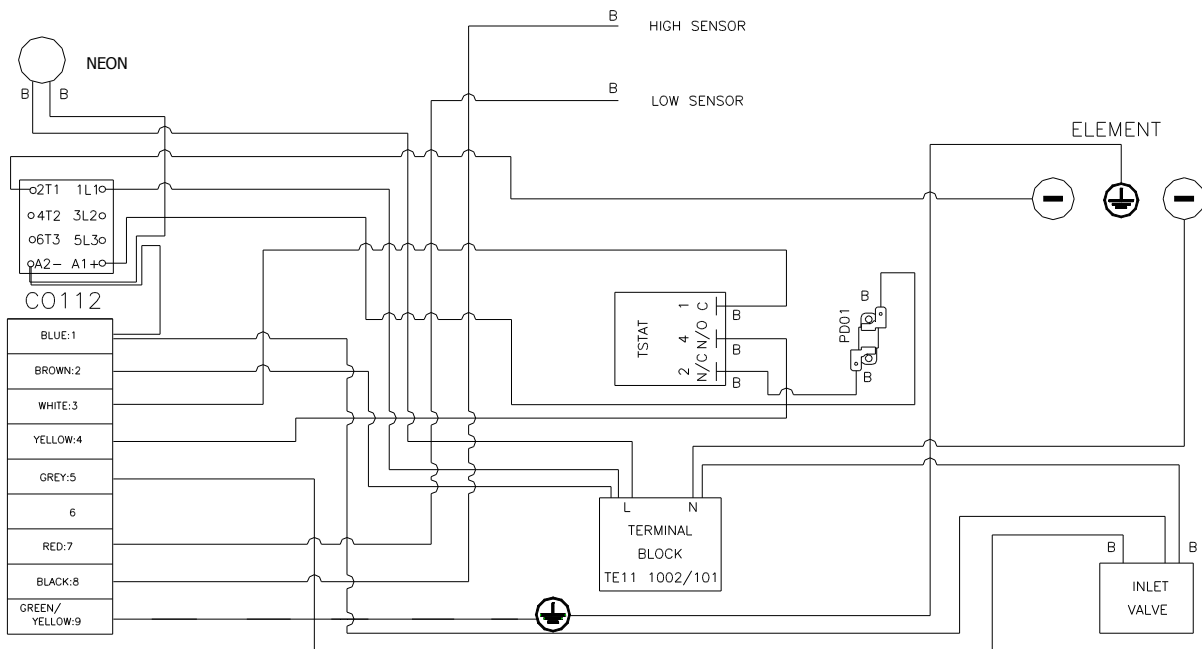


Wiring and Circuit Diagrams

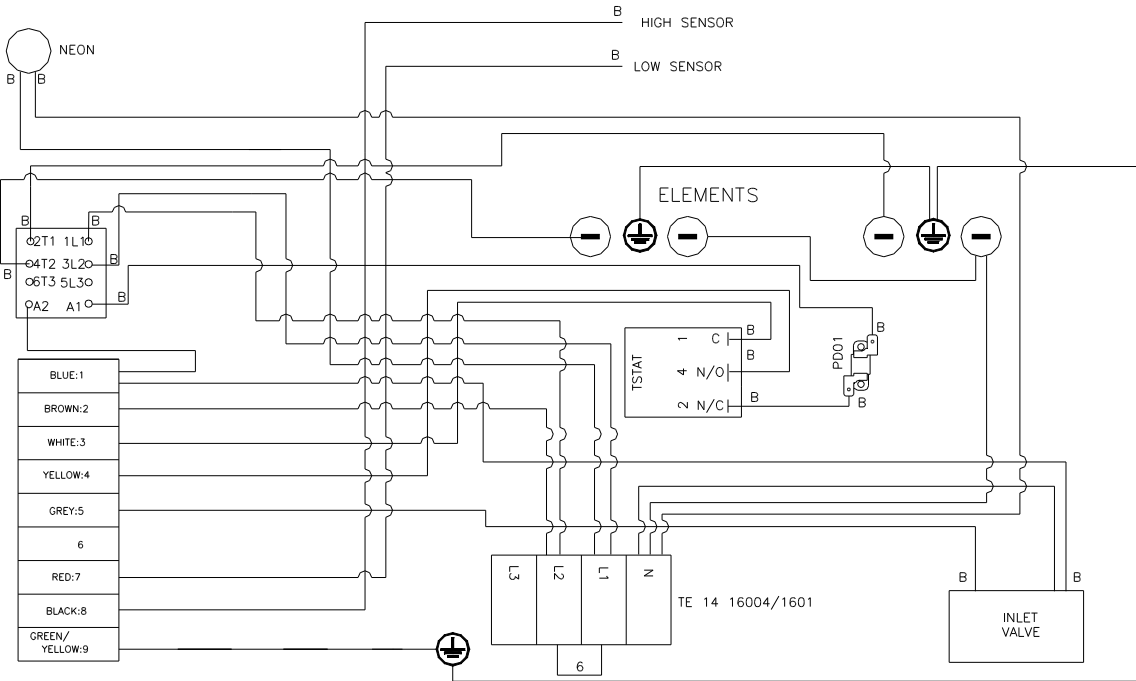
EB3 Wiring Diagram



EB4 Wiring Diagram

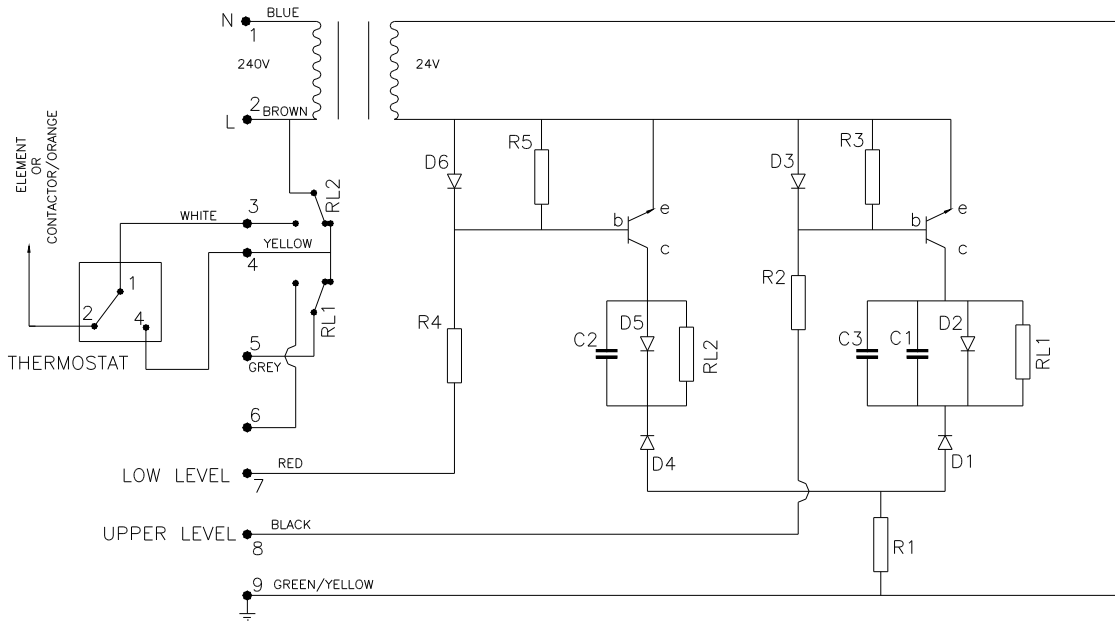


EB6 Wiring Diagram



For multi-phase wiring of the EB6, remove the link wire at L1 & L2.

Circuit Diagram



The circuit diagram above is essentially for the EB3 as the element is powered via the thermostat. For the EB4 and EB6 switching of the contactor that powers the element(s) is made via the thermostat.

Spare Parts List

Part No.	Description	Appliance
BA07	Badge	All
BE16	Tap bezel	All
BE17	Neon bezel	All
CO111	Contactator	EB6
CO112	Contactator	EB4
DV01	Drain valve	All
EL178	Element 3000W 240V	EB3 & EB6
EL179	Element 4500W 240V	EB4
FE01	Feet	All
LA168	Lid assembly	EB3
LA169	Lid assembly	EB4
LA170	Lid assembly	EB6
LE18	Lower level sensor	All
LE21	Upper level sensor	All
MS19	De-scaling compound	All
NE02	Neon housing and lens	All
PD02	Protection device and heatsink	All
PI12	Inlet connection hose	All
PL144	Cable and plug	EB3
PR10	PCB	All
SL20	Faucet retaining nut	All
SL21	Faucet circlip	All
SL27	Faucet	All
SO1	Solenoid and hose	All
SP64	PCB clip	All
STA01	Spillage tray and grid	EB3
STA02	Spillage tray and grid	EB4
STA03	Spillage tray and grid	EB6
STA04	Spillage tray and grid	EB6/T
SV01	Overflow vent	All
TA81	Tank	EB3
TA82	Tank	EB4
TA83	Tank	EB6
TA84	Tank	EB6/T
TH09	Thermostat	All
TU01	Silicone hose 0.6m & 0.14m	All

Replacing Parts

Before removing and replacing any part on the appliance the appliance must be isolated from the water and electricity supply.

Replacement of parts must be parts approved by the manufacturer.

Thermostat

- Remove the outer lid.
- Remove the retaining screws from the back panel and slide the back panel vertically upward.
- Remove the retaining screws from the access panel.
- Loosen the thermostat gland and withdraw the thermostat bulb through the union.
- Remove the wires from the thermostat terminals, noting the connections.
- Loosen the thermostat retaining screws and remove the thermostat.
- Fit the new thermostat and assemble in reverse order.
- Electrically test the appliance.

Contactor

- Remove the retaining screws from the access panel.
- Remove the wires from the contactor terminals, noting the connections.
- Spring the contactor-retaining clip to free the contactor from the bracket.
- Fit the new contactor, ensuring the contactor is fully seated on the bracket, and assemble in reverse order.
- Electrically test the appliance.

Solenoid

- Drain the tank as described earlier in the de-scaling routine.
- Remove the retaining screws from the access panel.
- Loosen the solenoid retaining screws.
- Loosen the pipe clip.
- Remove the wires from the solenoid terminals, noting the connections.
- Withdraw the solenoid. There may be a small quantity of water remaining in the hose.
- Fit the new solenoid and assemble in reverse order.
- Electrically test the appliance.

Circuit Board

- Remove the outer lid.
- Remove the retaining screws from the back panel and slide the back panel vertically upward.
- Remove the retaining screws from the access panel.
- Remove the wires from the solenoid, contactor/thermostat, neon, terminal block, and element, upper and lower sensors. Note: To free the wires from the neon, loosen the tank-retaining bracket and ease that tank backward to gain access to the neon housing.
- Free the circuit board from the mounting clips.
- Fit the new circuit board and assemble in reverse order. Attention must be given to the wiring on the level sensors.
- Electrically test the appliance.

Neon

- Remove the outer lid.
- Remove the retaining screws from the back panel and slide the back panel vertically upward.
- Remove the retaining screws from the access panel.
- Loosen the tank-retaining bracket and ease that tank backward to gain access to the neon housing. Note: Remove any additional parts as necessary in order to move the tank.
- Remove the wires from the neon terminals.
- Depress the neon housing and slide the housing free from the lens. Note: The lens will be free to be extracted from the neon bezel.
- Fit the new neon housing and assemble in reverse order.
- Electrically test the appliance.

Faucet

- Evacuate the tank to the level of the faucet. Partially drain the tank as described in the de-scaling routine.
- Loosen the faucet-retaining nut and remove the faucet. Note: To remove the faucet-retaining nut, remove the circlip.
- Fit the new faucet and assemble in reverse order.

Tank

- Drain the tank as described earlier in the de-scaling routine.
- Remove the faucet.
- Remove the outer lid.
- Remove the retaining screws from the back panel and slide the back panel vertically upward.
- Remove the retaining screws from the access panel.
- Free the contactor/thermostat from the mounting bracket and remove the tank-retaining bracket.
- Remove the middle and inner lids.
- Remove the drain hose from the tank connector.
- Remove the overflow hose from the tank vent pipe.
- Loosen the solenoid retaining screws.
- Remove the wires from the solenoid terminals, noting the connections.
- Remove the wires from the level sensors.
- Withdraw the tank.
- Remove the tank connector, level sensors and fit to the new tank.
- Fit the new tank and assemble in reverse order.
- Electrically test the appliance.

Protective Device

- Remove the back panel.
- Disconnect the wires from the protective device.
- Loosen the element retaining nuts.
- Remove the heat sink and protective device.
- Fit the new device and assemble in reverse order.
- Electrically test the appliance.

Service

LINCAT GROUP SERVICE HELP DESK

 01522 875520

AUTHORISED SERVICE AGENTS

We recommend that all servicing other than routine cleaning be carried out by our authorised service agents.

We cannot accept responsibility for work carried out by other persons.

Please quote both the model and serial numbers from the data plate attached to the unit. Give brief details of the service requirement.

If possible please quote the product code of the part number you require.

GUARANTEE STATEMENT

Lincat Ltd guarantees its equipment to be free from defects in materials and workmanship for a period of 1 (one) year commencing from the date of purchase from the dealer, by the original owner.

This guarantee is limited to the repair of defects, without charge, by a factory authorised service company or one of its service companies within normal working hours. Monday – Friday, 8am – 6pm.

We undertake to visit site within 48 hours of the service call being placed, excluding weekends and bank holidays.

This guarantee is not effective if damage occurs from; improper installation, misuse, incorrect voltage supply, wear and tear from normal usage, accidental breakage / damage or the equipment is operated contrary to the user instructions. Any expenses in connection with the installation, or cost of making adjustments on the equipment to comply with the supply at the point of installation are not covered by this guarantee.

The foregoing guarantee is in lieu of any and all other guarantees expressed or implied, and constitutes the entire guarantee.