

Title:420-EGBL

Document Type:Equipment Manual

Brand:Prince Castle

# OPERATING INSTRUCTIONS

PRINCE CASTLE INC. 



## Conveyor Toaster Model No. 420-EGBL

*Excalibur*<sup>®</sup>



Prince Castle's line of Radiant Conveyor Toasters feature compact designs with easy to use controls, and they are available in two slice and three slice models. During off-peak times, a 1/4 power stand-by switch conserves power. All models feature reliable quartz radiant elements for quick heat-up, removable crumb tray, and loading chute.

### ELECTRICAL INFORMATION

Model No.	Volts	Watts	Amps	Hz
420-EGBL	240	2800	12.8	50

### TABLE OF CONTENTS

PAGE

Installation .....	2
Operating .....	2
Cleaning .....	3
Parts List.....	4
Troubleshooting Chart .....	5
Wiring Diagram .....	6

### LIMITED WARRANTY

This product is warranted to be free from defects in material and/or workmanship for a period of two (2) years from date of original installation, not to exceed 30 months from date of shipment from our factory. (18 months for heater burnout.)

Any component which proves to be faulty in material and/or workmanship will be replaced or repaired (at the option of Prince Castle, Inc.) without cost to the customer for parts or labor.

This warranty is subject to the following exceptions/conditions:

- Use of any non-genuine Prince Castle parts voids this warranty.
- All labor shall be performed during regular work hours. Overtime premium will be charged to the buyer.
- All problems due to operation at voltages other than specified on equipment nameplates do not apply to warranty. Conversion to correct voltage must be the customers responsibility.
- Damage caused by carelessness, neglect, and/or abuse (e.g., dropping, tampering or altering parts), equipment damaged in shipment, by fire, flood or an act of God is not covered under this warranty.
- This toaster must be serviced by a Prince Castle Authorized Service Center or a Prince Castle Service Technician. Failure to do so can void this warranty.

PRINCE CASTLE INC.   
WORLDWIDE

355 East Kehoe Blvd. • Carol Stream, IL 60188

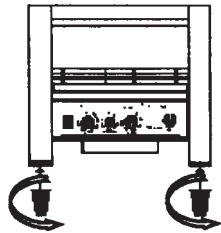
Tel: (630) 462-8800 • Fax: (630) 462-1460

Prince Castle U.K. 01355-244111

# INSTALLATION

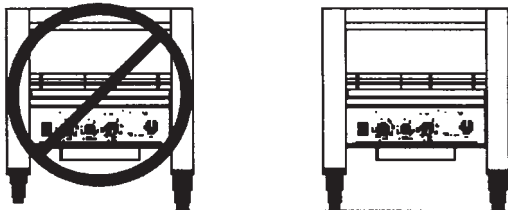
1. After you have removed the toaster from the carton, inspect the unit for signs of damage. If there is damage to the unit:
  - Notify carrier within 24 hours after delivery.
  - Save carton and packing materials for inspection purposes.
  - Contact your local Prince Castle Distributor to arrange for a replacement to be sent.
2. Verify that all parts have been received.
3. Attach (4) legs to toaster by screwing in each leg clockwise. See figure 1.

figure 1



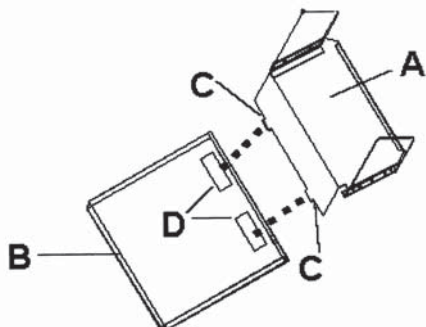
4. Make sure toaster is level. See figure 2.

figure 2



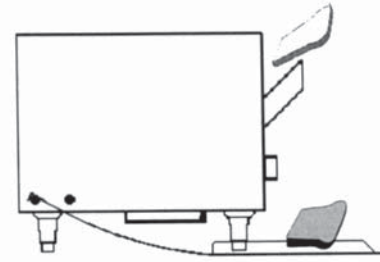
5. Attach load up tray (A in figure 3) to the crumb tray (B in figure 3) by hooking the tabs (C in figure 3) of the load up tray onto the holes (D in figure 3) of the crumb tray.

figure 3

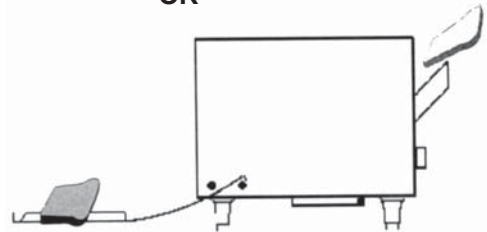


6. Attach return chute to toaster. See figure 4.

figure 4



OR



# OPERATION

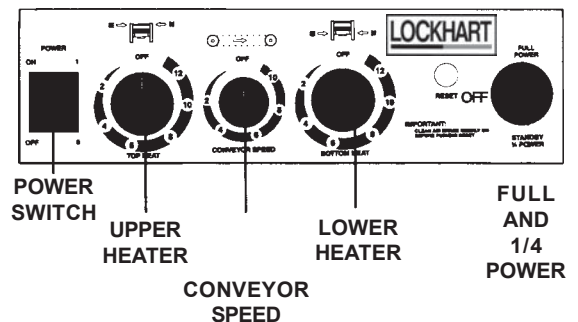
1. Plug unit into the proper voltage receptacle. See figure 5.

figure 5



2. Turn power switch to ON.
3. Select full power or 1/4 power by turning the knob on the right side of the control panel. See figure 6.

figure 6



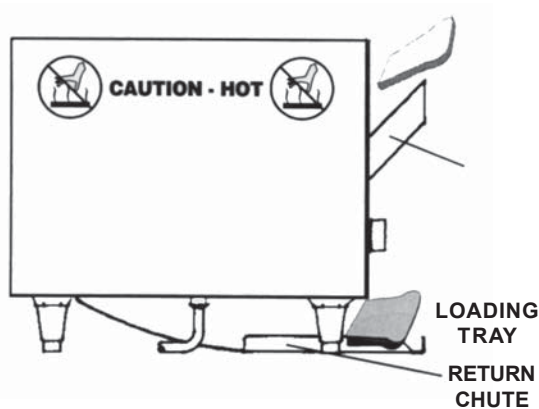
**IMPORTANT:** The 1/4 power setting should be used as an idle mode during nonuse. This saves energy and allows the unit to reach toast temperature quickly when the knob is turned to full power.

4. To toast product:
  - Switch to full power.
  - Set conveyor speed 10-fastest, 1-slowest.
  - Set upper heater 12- high, 1-low.
  - Set lower heater 12-high, 1-low.

**IMPORTANT:** For one sided toasting, upper or lower heater can be set to OFF. See figure 6.

5. Feed product into the toaster by using the loading tray. See figure 7.

figure 7



**CAUTION:** Loading tray and return chute are very hot.

6. Toasted product will fall from back of toaster via return chute.

## SUGGESTED TOASTING SETTINGS

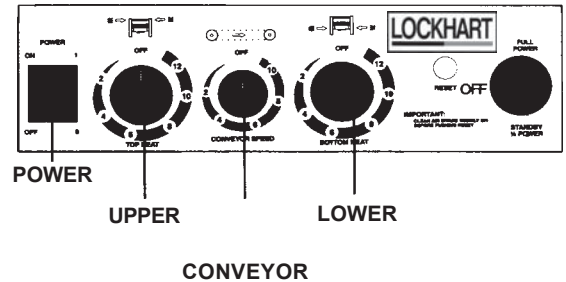
Product	Upper Heater	Lower Heater	Conveyor Speed
White Bread	12	11	6
Bagels	4	12	6
English Muffins	4	12	✓
Croissant	4	12	8
Hamburger Buns	0-2	12	6
Wheat Bread	12	8	6

## CLEANING

**CAUTION:** This appliance is not of water tight construction. Do not clean with a water jet/jet spray. Do not immerse appliance in water.

1. Turn the upper and lower heaters and conveyor speed to the OFF position. See figure 8.

Figure 8



2. Turn power switch off and allow toaster to cool down for 20 to 30 minutes.
3. Unplug toaster.
4. To remove loading tray, pull up and back on the loading tray. Unhook and pull out return chute, and slide crumb tray out for cleaning.
5. Remove air duct, from bottom of toaster and clean any debris from fan vent guard.

**IMPORTANT:** When attaching the air duct be sure to have open end facing the front of the toaster.

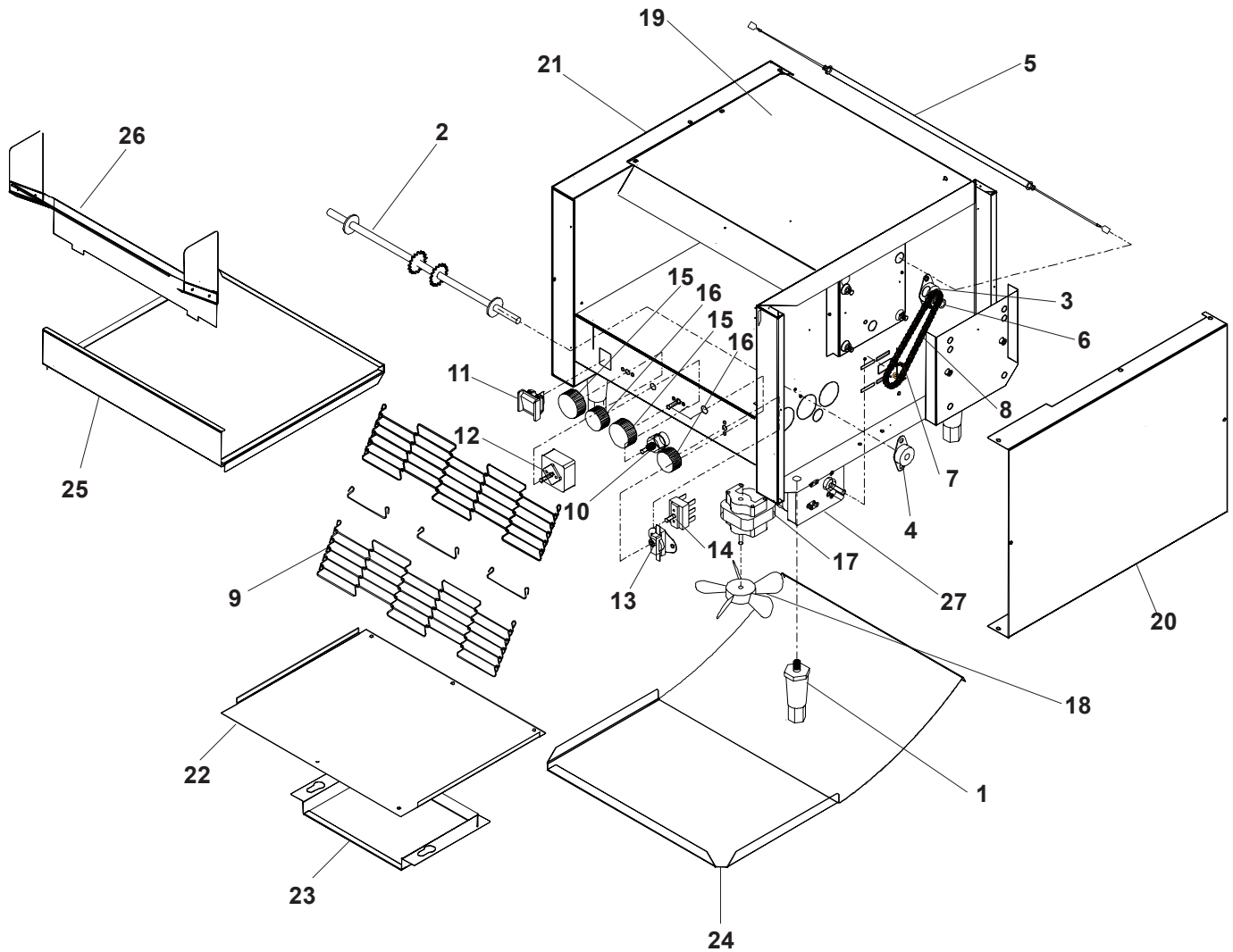
6. Wipe across the top side of the conveyor with a damp cloth.
7. Turn the conveyor on until it turns a 1/2 conveyor turn. Then turn the conveyor off and repeat step 6 for the other half of the conveyor.
8. Clean exterior of toaster with a damp cloth.

**CAUTION:** Do not wet heat tubes. This could cause a short and damage the heat tube.

**IMPORTANT:** All bun settings are based on cut side down and crust side up. Toast time will vary based on personal preference and moisture content of product.

# PARTS LIST

ITEM	PART NO.	DESCRIPTION	ITEM	PART NO.	DESCRIPTION
1	421-102	Leg	16	70-043	Speed Control Knob
2	421-088	Idler Shaft	17	87-030S	Motor, Fan
3	421-087	Drive Shaft Assy.	18	421-076	Fan Blade
4	421-286S	Teflon Bearing Kit	19	421-123	Cover
5	421-007-4S	Heater	20	421-301	Left Side Cover
6	421-071	Idler Sprocket	21	421-300	Right Side Cover (Not Shown)
7	421-072	Drive Sprocket	22	420-60	Bottom Cover
8	421-073	Drive, Chain Link	23	421-053	Air Duct Dome
9	421-089S	Conveyor	24	421-253	Return Chute
10	421-134S	Speed Control Assy.	25	421-034	Crumb Tray
11	78-172S	Power Switch	26	420-063	Loading Tray
12	78-173S	Heat Control Switch		72-305S	Power Cord Not Shown
13	421-108S	High limit thermostat	27	87-018S	Motor, Gear Not Shown
14	78-175S	Rotary Switch		65-048-10	Relay
15	70-042	Heat Control Knob		421-208S	P.C. Board, Filter



## TROUBLESHOOTING CHART

PROBLEM	CAUSE	SOLUTION
High limit reset tripped.	Toaster overheating due to blockage of airflow.	Remove fan vent guard located underneath toaster. Clean any debris from the vent that might be blocking the flow.
	Airflow fan inoperable.	Replace fan motor.
No power.	Circuit breaker tripped. Power switch inoperable.	Reset circuit breaker. Replace power switch.
	Broken wire in power cord.	Replace power cord.
Toaster conveyor not turning.	Conveyor motor inoperable.	Replace motor.
	Conveyor speed switch inoperable.	Replace speed switch. Replace fuse.
Conveyor chain binds up in operation.	Sprockets worn.	Replace sprockets.
	Excessive slack in conveyor chain.	Remove a chain link.
	Teflon Bearing Worn	Replace Bearing
Toaster overheating.	Airflow blockage.	Clean excessive debris from fan vent guard.
	Fan not working due to inoperable fan motor.	Replace fan motor. Replace fuse.
Upper and lower heat tubes not heating.	Heater switch inoperable.	Replace heater switch.
	Heater tube inoperable.	Replace heater tube.
Bread product burning.	Conveyor speed too slow. Upper or lower heater setting too high.	Adjust to proper settings (See suggested settings on page 3).
Bread product too light.	Conveyor speed too fast. Upper or lower heating too low.	Adjust to proper settings (See suggested settings on page 3).



**CAUTION:** Turn off power switch, unplug toaster from wall outlet, and let toaster cool down before doing any repairs. All repairs should be done by a qualified service technician.

# WIRING DIAGRAM

