

01786 455212

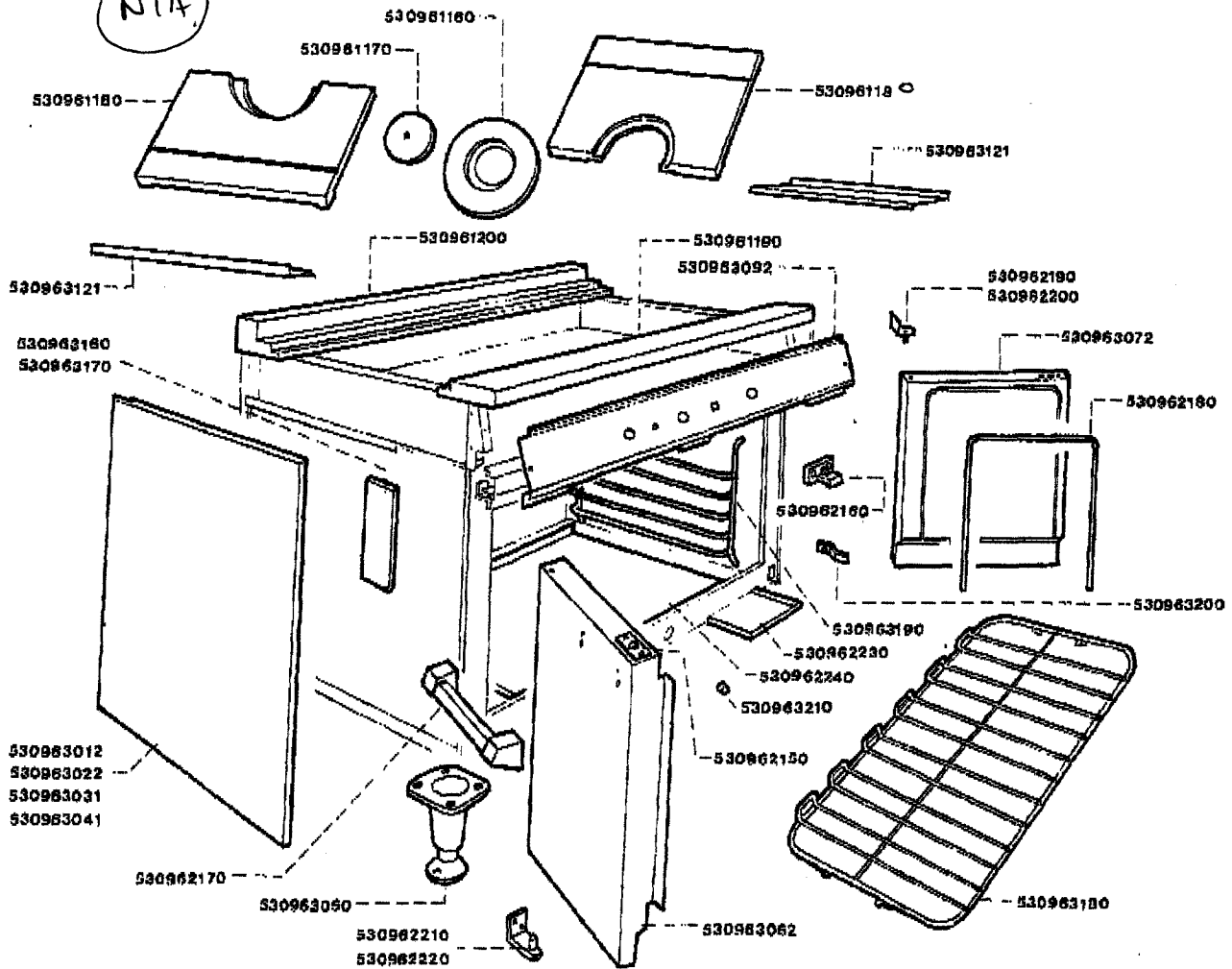
Solid Top

Range Fitments

Alternative

535400170

N/A



Code	No.	Description
10D	530961180	Ring — Solid Top
12C	530961170	Cup — Solid Top
3G	530961180	Hob Filling — Solid Top
1F	530961190	Front Hob Rail
7F	530961200	Rear Hob Rail
8B	530962150	Door Catch
8B	530962160	Door Catch Keeper
2B	530962170	Door Handle c/w Gaskets
7D	530962183	Door Seal Set
5C	530962190	Hinge — Top, Left Hand
5C	530962200	Hinge — Top, Right Hand
5C	530962210	Hinge — Bottom, Left Hand
5C	530962220	Hinge — Bottom, Right Hand
3E	530962230	Oven Drip Tray
11F	530962240	Oven Bottom Plate
5G	530963012	Outer Side — Left Hand; S/S
5G	530963022	Outer Side — Right Hand; S/S
1F	530963031	Outer Side — Left Hand; Black
1F	530963041	Outer Side — Right Hand; Black
9B	530963050	Leg c/w Adjustable Foot

Code	No.	Description
12K	530963062	Door Assembly — Left Hand
8K	530963072	Door Assembly — Right Hand
4D	530963092	Control Panel
10C	530963121	Side Drip Shed
12C	530963160	Cheek — Left Hand
12C	530963170	Cheek — Right Hand
1E	530963180	Oven Grid Shelf
10C	530963190	Oven Shelf Hanger
6A	530963200	Oven Hanger Bracket
4A	530963210	Protection Pin

530071160 Hook to lift out Bulls eye

Sheet Reference Number

G1100/1082/003

