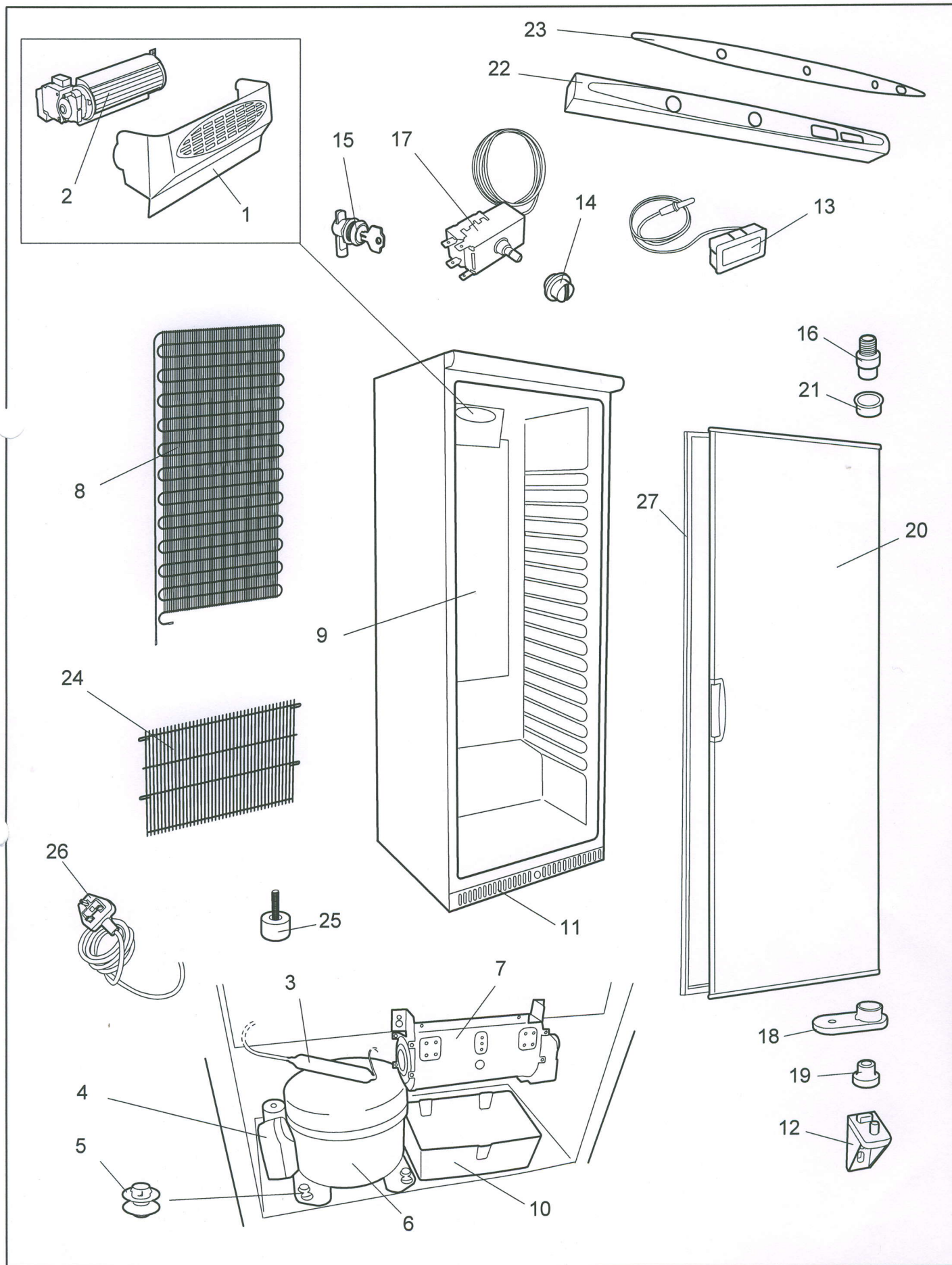


# KIC PRX 40 PENTLAND R134A ( COD. ECA1376133)



Esploso

SERVIZIO DOPO VENDITA



Technical  
draw

**KIC PRX 40 PENTLAND R134A (COD. ECA1376133)**  
AFTER SALES DEPARTMENT



Rif.	Description	Code
1	FAN COVER	1721401
2	TANGENTIAL MOTOR FAN WITH BRACKET 220-240 50/60	4022142
3	FILTER XH9 GR15	3141035
4	ACCESSORIES SET GL60PB 220/240-50	1147371
5	COMPRESSOR SHOCK ABSORBER	1521149
6	COMPRESSOR ELECT. GL60PB 220/240-50 R134A	4106095
7	CONDENSER TANGENTIAL MOTOR FAN 220-240 50/60	4022141
8	WIRE CONDENSER	4111021
9	ROLL BOND	4133007
10	CONDENSATE TRAY	1743714
11	FRONT GRID BEV./ICE40 INOX	8915437
12	LOWER HINGE DX BEV 'X2	5622077
13	DIGITAL THERMOMETER	1188017
14	THERMOSTAT KNOB	1721415
15	LOCK GIUSSANI	5601083
16	UPPER HINGE PIVOT	5601102
17	THERMOSTAT	1101028
18	LOWER HINGE BUSH D.19	M3-1721540 <del>1522302</del>
19	LOWER HINGE SPACER KIC	5601069
20	INOX DOOR KIC 40 WITH REPLACEABLE GASKET	8957934
21	HINGE BUSH CHEF R10	M3-1522302 <del>1721540</del>
22	METALIZED GREY FRONT TOP	1721449
23	SILK SCREENED FRONT TOP INSERT	1721519
24	REAR GRID BEV40 'X2	0621170
25	LEVELLING FOOT	1721695
26	POWER SUPPLY CABLE WITH PLUG UK	1127002
27	WHITE GASKET 562X1699	4612138

The manufacturer will reserve the right to make any modification without prior notice.

Version	Updated on	Written by	Approved by
1	21/02/2005	A. Angelino	G. Portalupi