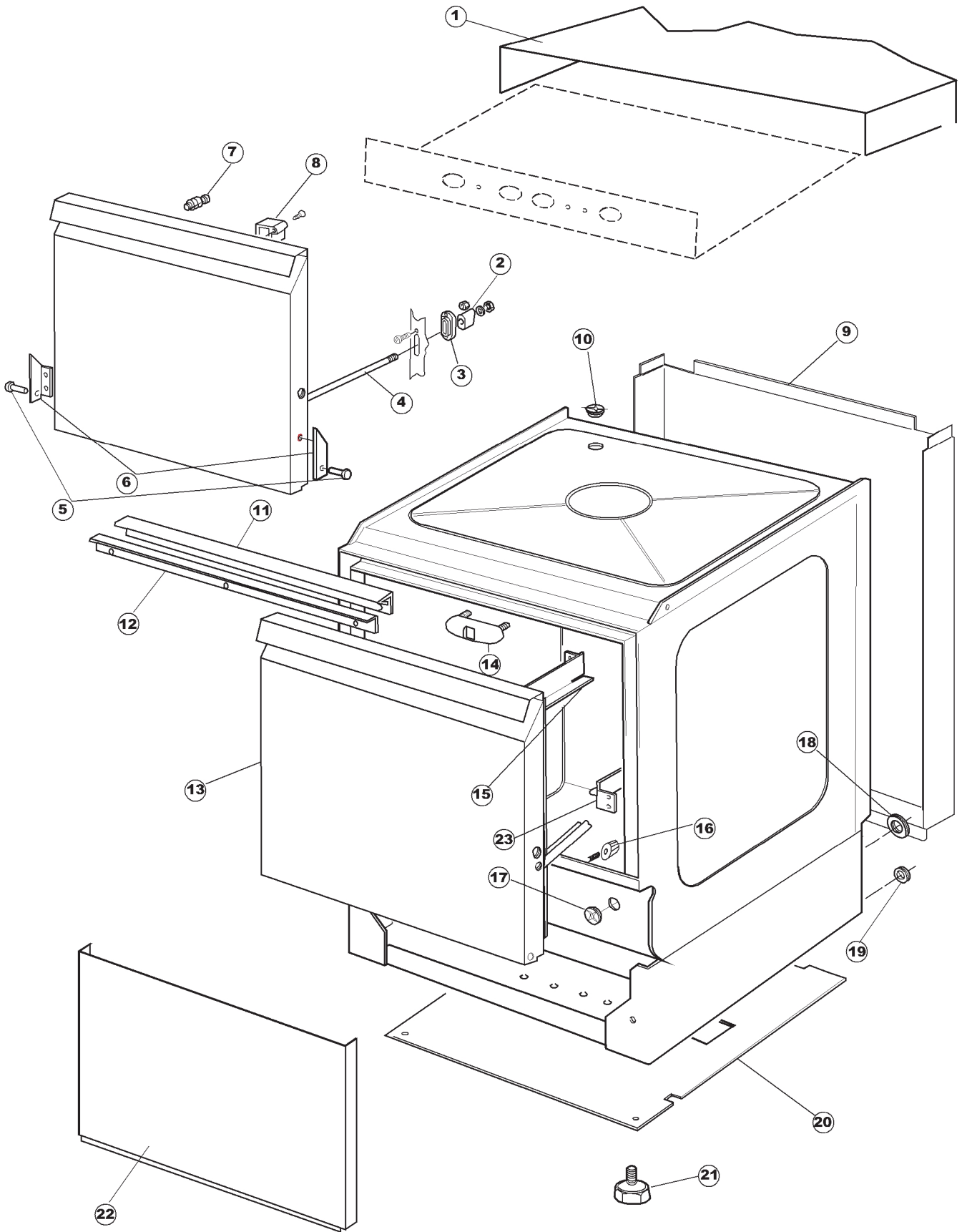
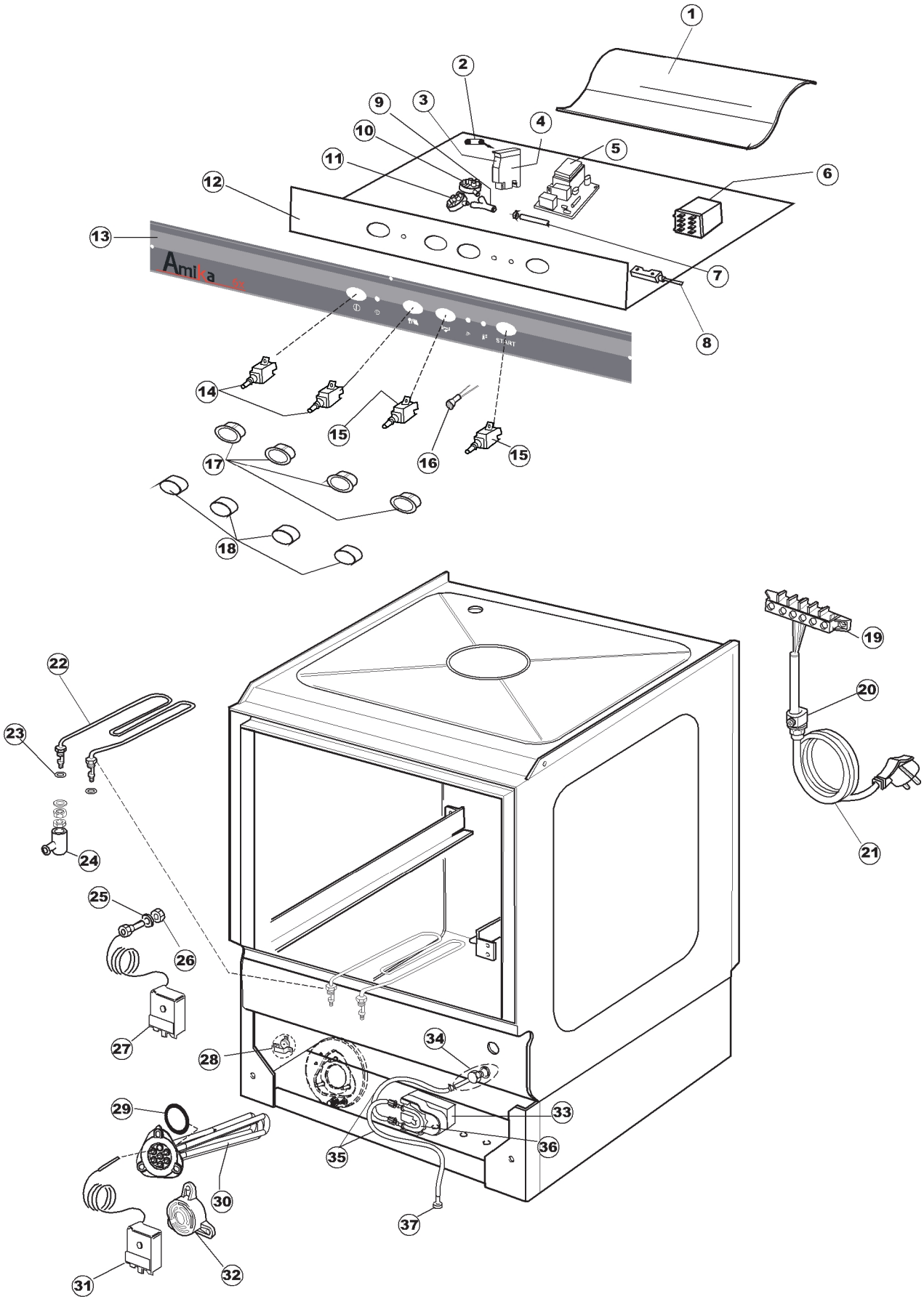


1

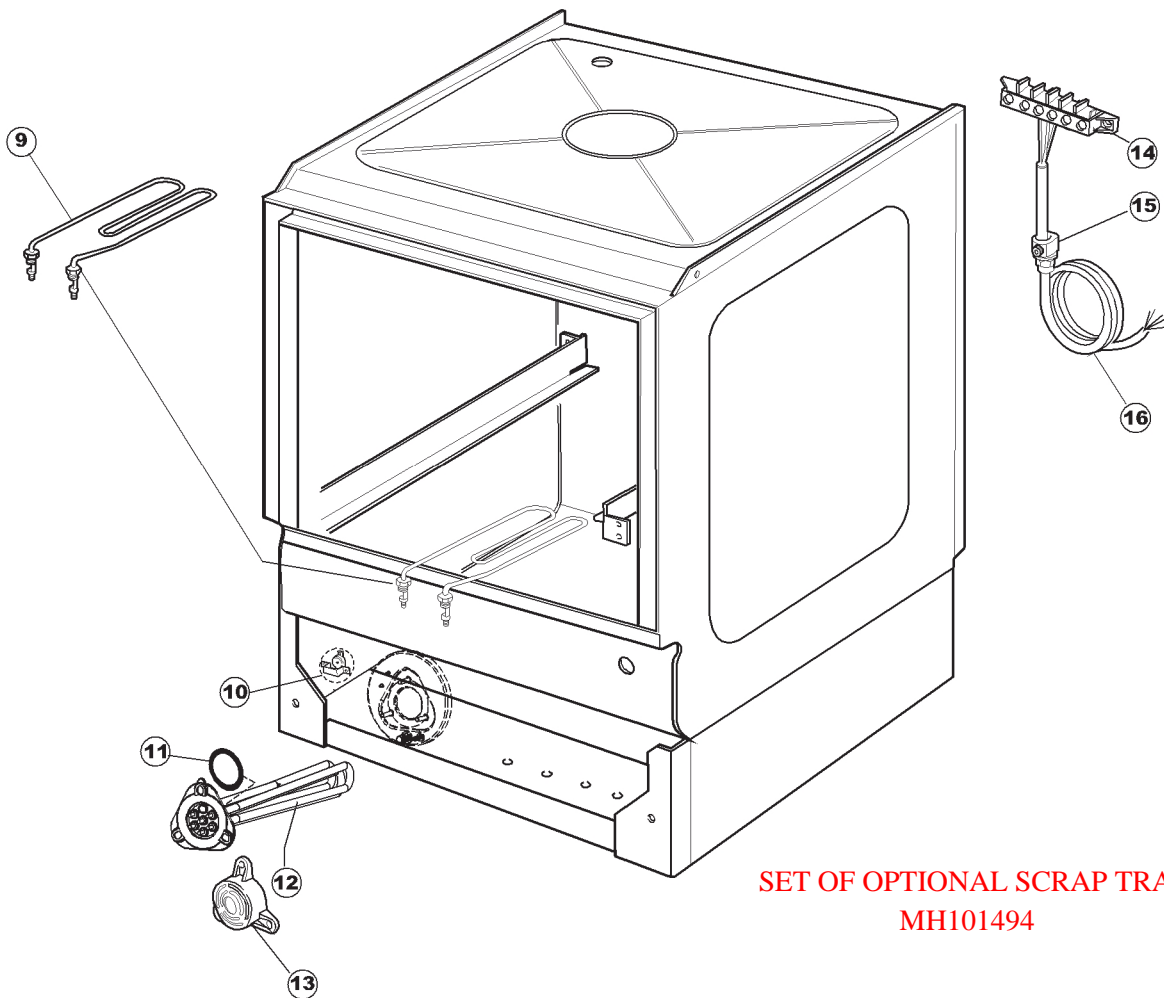
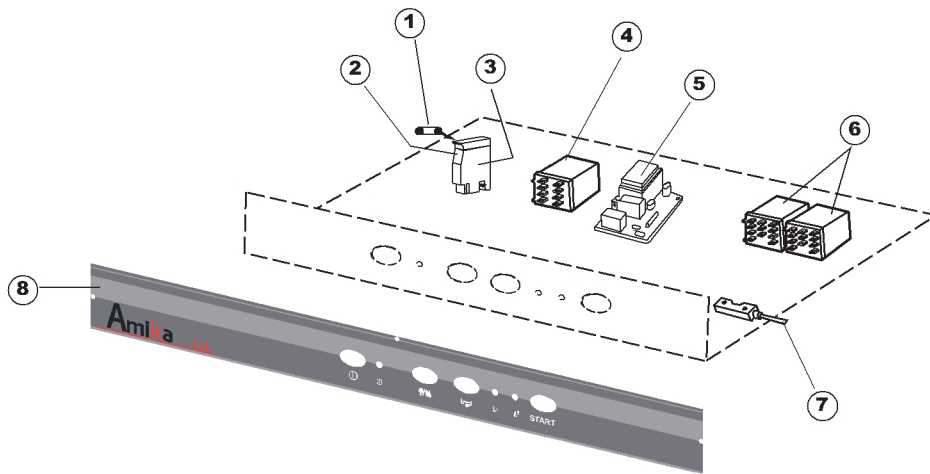


Page	Ref	Part Code	Description
1	1	MH102026	TOP PANEL
1	2	MH100472	STOP FOR DOOR GUIDE
1	3	MH100471	DOOR STAY GUIDE
1	4	MH100470	DOOR STAY
1	5	MH100468	HINGE PIN
1	6	MH100469	DOOR HINGE
1	7	MH101429	DOOR CATCH MALE
1	8	MH100449	DOOR MAGNET
1	9	MH100456	BACK PANEL
1	10	MH100063	RUBBER CAP
1	11	MH100467	DOOR GASKET
1	12	MH100465	BRACKET FOR DOOR GASKET
1	13	MH103634	DOOR HEIGHT 400mm
1	14	MH100463	DOOR CATCH INNER
1	15	MH103635	RACK SLIDE L/H
1	16	MH101030	SCRAP TRAY SUPPORT NUT
1	17	MH100461	RUBBER BUNG FOR WASH TANK
1	18	MH100457	CABLE GROMMET
1	19	MH100347	CABLE GLANG
1	20	MH100458	FLOOR PANEL
1	21	MH100459	MACHINE FOOT
1	22	MH103637	FRONT PANEL
1	23	MH103636	RACK SLIDE R/H

2

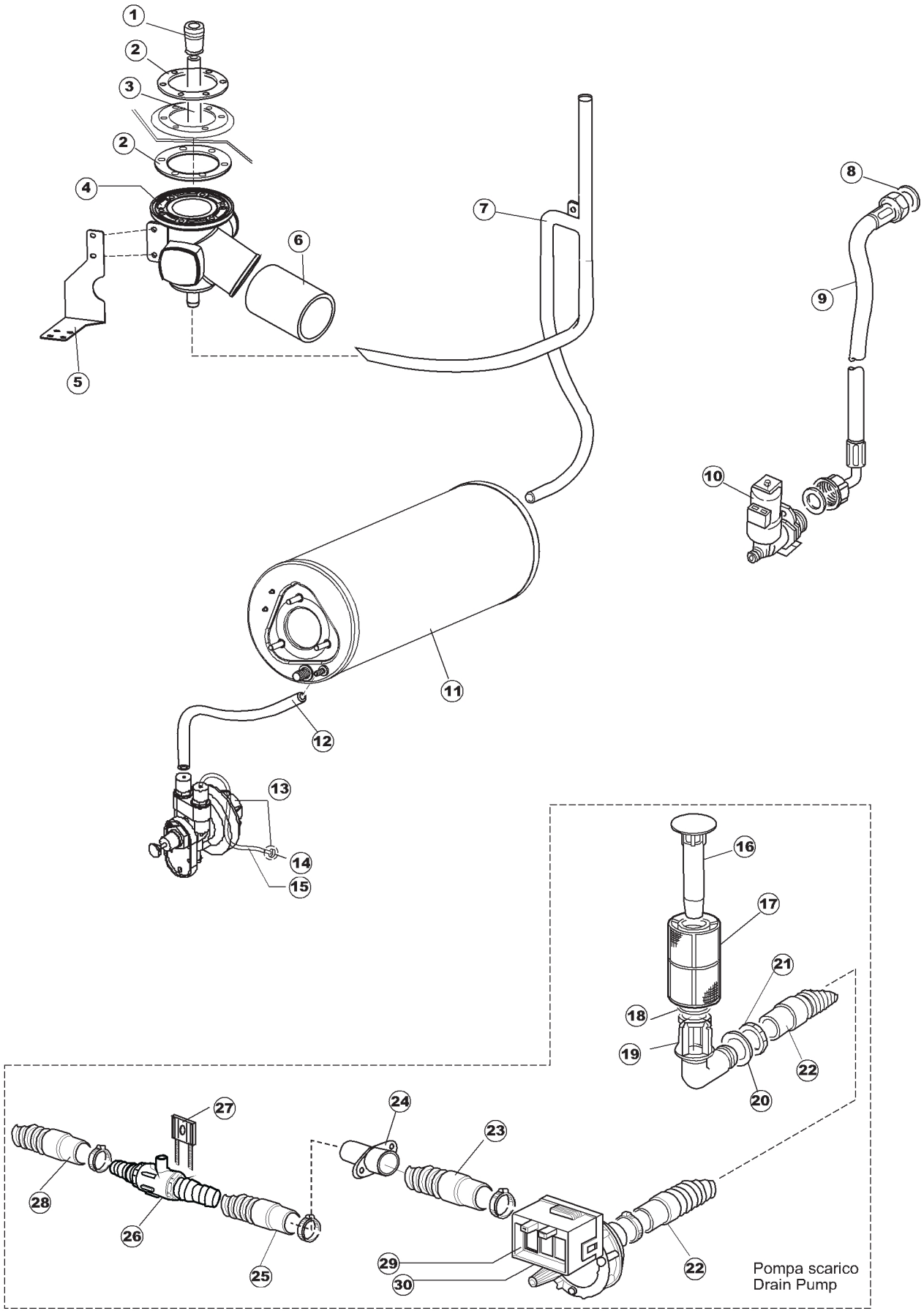


Page	Ref	Part Code	Description
2	1	MH100477	CONTROLS COVER
2	2	MH103970	FUSE 4amp
2	3	MH103967	FUSE HOLDER
2	4	MH103968	FIXING PLATE
2	5	MH104022	CONTROL PCB
2	6	MH101432	POWER RELAY AC 2NO 230V
2	7	MH104386	PVC TUBE 4x6mm (10Mtr.)
2	8	MH104286	MAGNETIC DOOR SWITCH
2	9	MH100475	'Y' PIECE FOR PRESSURE SWITCH (OPTIONAL)
2	10	MH100474	PRESSURE SWITCH 110/78 – (OPTIONAL)
2	11	MH100473	PRESSURE SWITCH 55/35
2	12	MH103649	CONTROL PANEL
2	13	MH101463	FASCIA
2	14	MH100199	SWITCH
2	15	MH101700	DRAIN PUMP SWITCH 2 POLE – (OPTIONAL)
2	16	MH102554	INDICATOR LAMP
2	17	MH104037	BUTTON HOUSING
2	18	MH104038	BUTTON
2	19	MH104263	TERMINAL BLOCK 6 POLE
2	20	MH100481	CABLE BLOCK – BLACK
2	22	MH101807	ELEMENT FOR WASH TANK 2.7Kw 240V
2	23	MH100488	O-RING
2	24	MH100366	COVER – ELEMENT CONNECTIONS
2	25	MH100487	WASHER
2	26	MH100486	THERMOSTAT PROBE NUT
2	27	MH100484	THERMOSTAT – WASH TANK
2	28	MH100368	THERMOSTAT 90deg C – CONTACT SAFETY
2	29	MH100599	O-RING – RINSE BOILER ELEMENT
2	30	MH100598	ELEMENT 6Kw 230V – BOILER
2	31	MH100364	BOILER THERMOSTAT FIXED 83deg. C
2	32	MH103639	BOILER ELEMENT PROTECTON
2	33	MH100361	DETERGENT PUMP (SEKO)
2	34	MH104266	FEED ELBOW - DETERGENT
2	35	MH104265	TUBE 4x6 (Per. Mtr.)
2	36	MH100362	INNER TUBE (SEKO)
2	36	MH103789	INNER TUBE (MICRODOS)
2	37	MH104325	BOTTLE WEIGHT & FILTER - CHEMICALS

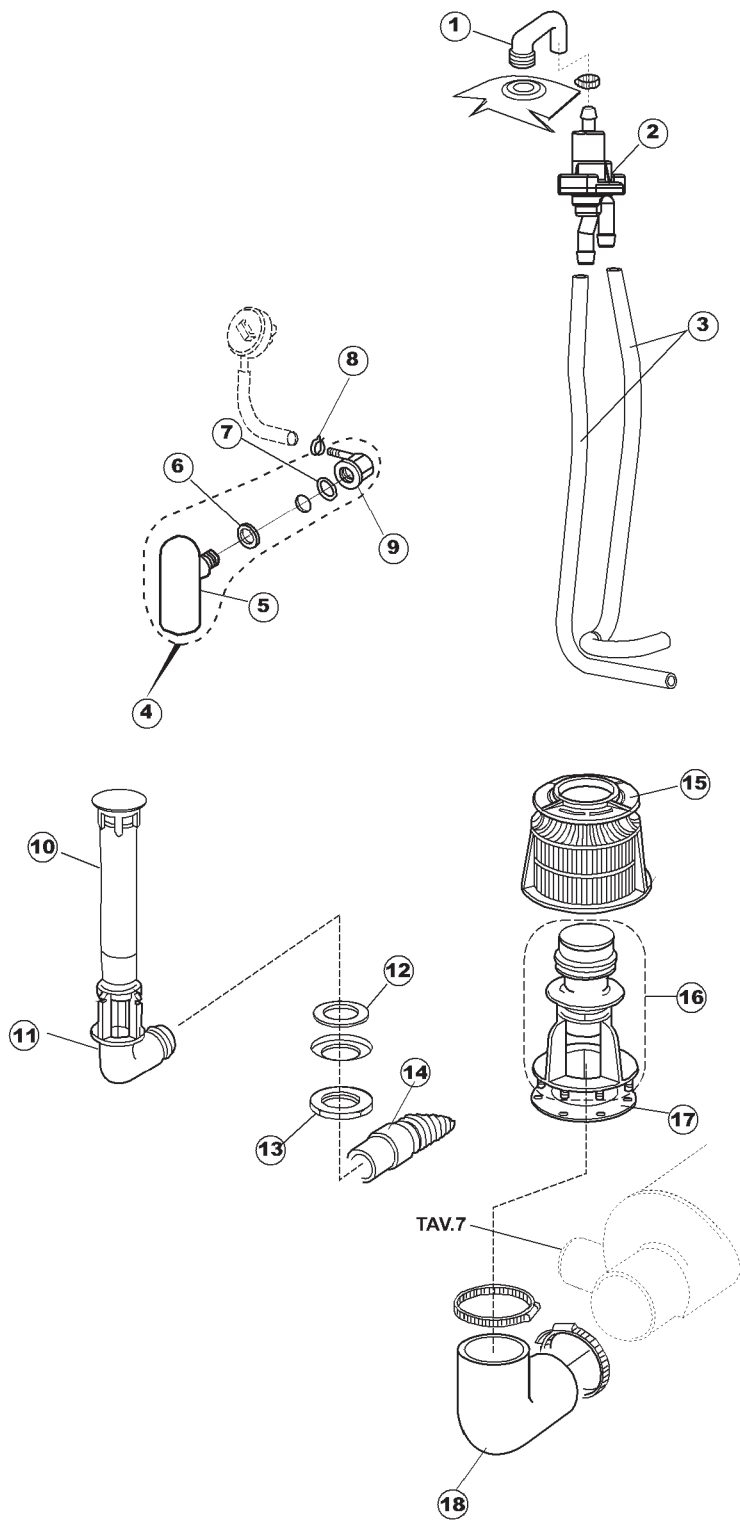


**SET OF OPTIONAL SCRAP TRAYS
MH101494**

Page	Ref	Part Code	Description
3	1	MH103970	FUSE 4amp (5x20)
3	2	MH103967	FUSE HOLDER
3	3	MH103968	FIXING PLATE
3	4	MH101432	RELAY (62.82)
3	5	MH104022	PCB MAIN BOARD
3	6	MH103907	REALY (62.83) 16amp 8 or 11 PIN
3	7	MH100377	MAGNETIC DOOR SWITCH
3	8	MH101463	ADHESIVE FASCIA
3	9	MH100489	WASH TANK ELEMENT + GASKET
3	10	MH100367	OVER HEAT THERMOSTAT – BOILER
3	11	MH100599	O-RING – RINSE BOILER ELEMENT
3	12	MH101433	ELEMENT 4900W – 230-400V
3	13	MH103639	BOILER ELEMENT PROTECTION
3	14	MH104263	TERMINAL BLOCK 6 POLE
3	15	MH100481	CABLE STOP - BLACK
3	16	X	

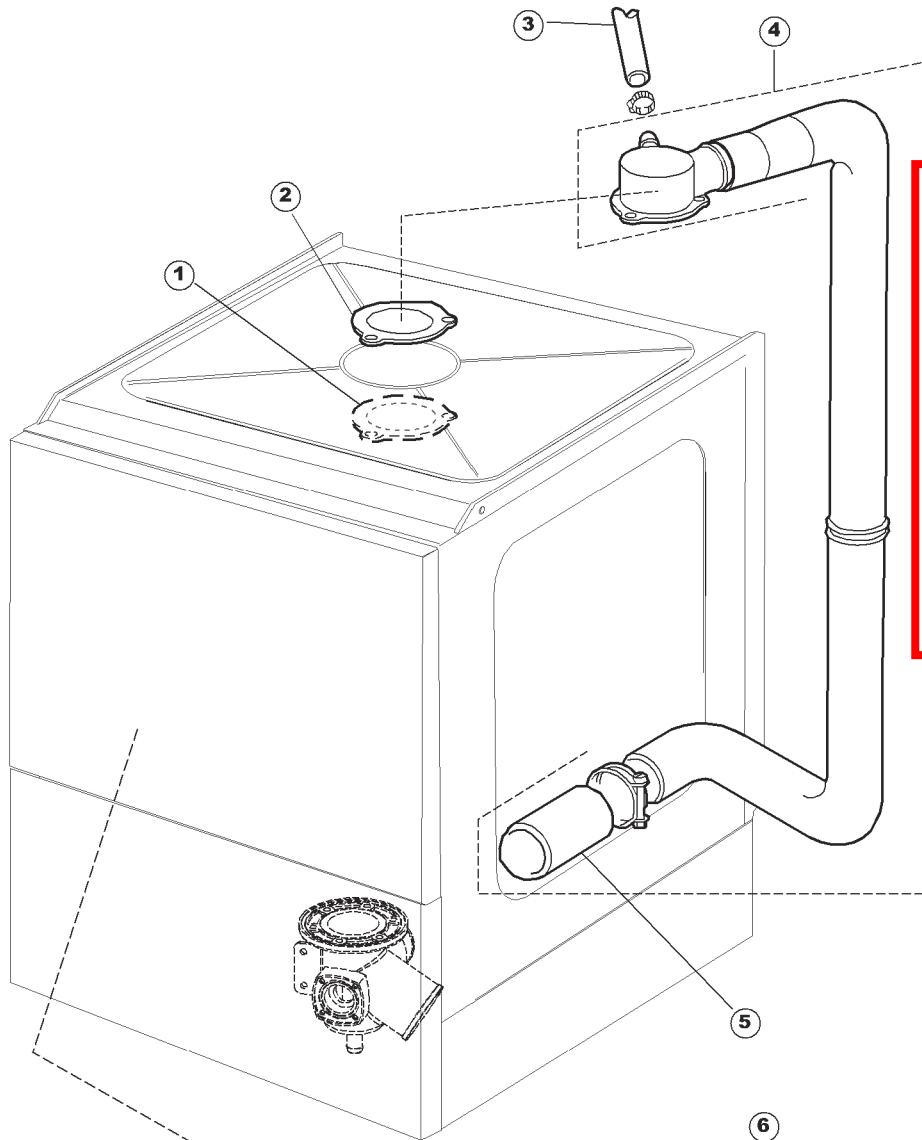


Page	Ref	Part Code	Description
4	1	MH100490	RINSE PIPE OLIVE dia 10mm
4	2	MH100491	GASKET – BOTTOM BOSS
4	3	MH100492	RINSE SUPPLY TUBE
4	4	MH104026	BOTTOM BOSS
4	5	MH100495	DRAIN PUMP BRACKET (NEW TYPE)
4	6	MH100496	CONNECTING HOSE
4	7	MH100065	RINSE FEED TUBE
4	8	MH100379	WASHER S641 EXPO
4	9	MH101390	INLET HOSE
4	10	MH100380	SINGLE SOLENOID VALVE
4	11	MH103911	BOILER
4	12	MH104388	BOILER HOSE 5x11mm
4	13	MH100597	RINSE AID PUMP DIAPHRAGM TYPE
4	14	MH104325	BOTTLE WEIGHT & FILTER - CHEMICALS
4	15	MH103969	PIPE 4x6 BLUE
4	16	MH100501	DRAIN PLUG
4	17	MH100502	FILTER DRAIN PUMP – PLASTIC
4	18	MH100514	FILTER RING
4	19	MH100513	DRAIN ELBOW – PLASTIC
4	20	MH100505	WASHER
4	21	MH100503	PLASTIC NUT 1-1/4
4	22	MH100504	DRAIN HOSE – TO PUMP
4	23	MH100512	DRAIN HOSE – PUMP TO CONNECTOR
4	24	MH100511	CONNECTOR – DRIAN PUMP HOSE
4	25	MH100507	HOSE – DRAIN PUMP TO AIR BRAKE
4	26	MH100508	NON RETURN VALVE (DRAIN PUMP)
4	27	MH100510	BRACKET FOR NON RETURN VALVE
4	28	MH100509	DRAIN HOSE 34dia 2MTRS
4	29	MH100506	DRAIN PUMP
4	30	X	



Page	Ref	Part Code	Description
5	1	MH100515	AIR VENT TUBE
5	2	MH100516	AIR BRAKE ASSEMBLY
5	3	MH100553	TUBE 10x17mm (5 METRES)
5	4	MH100372	AIR BOX ASSEMBLY
5	5	MH100373	AIR BOX
5	6	MH100374	O-RING – AIR BOX CONNEVTION
5	7	MH100375	O-RING
5	8	MH100545	HOSE CLIP
5	9	MH100376	ELBOW CONNECTOR – AIR BOX
5	10	MH100524	DRAIN PLUG
5	11	MH100513	DRAIN ELBOW – PLASTIC
5	12	MH100505	WASHER
5	13	MH100503	PLASTIC NUT 1-1/4
5	14	MH100509	DRAIN HOSE 34dia 2METRE
5	15	MH100128	WASH PUMP FILTER
5	16	MH100519	FILTER STAND
5	17	MH100520	GASKET – PUMP FILTER
5	18	MH100521	TUBE – WASH PUMP INLET

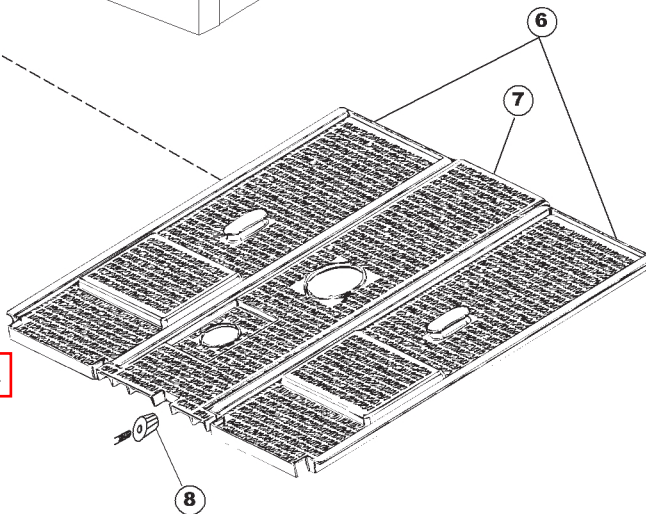
REAR WASH TUBE CHANGED
FROM S/N 2722652



Rear Wash manifold
Before
SN2726252
Use
MH100546
After
Use
MH103440

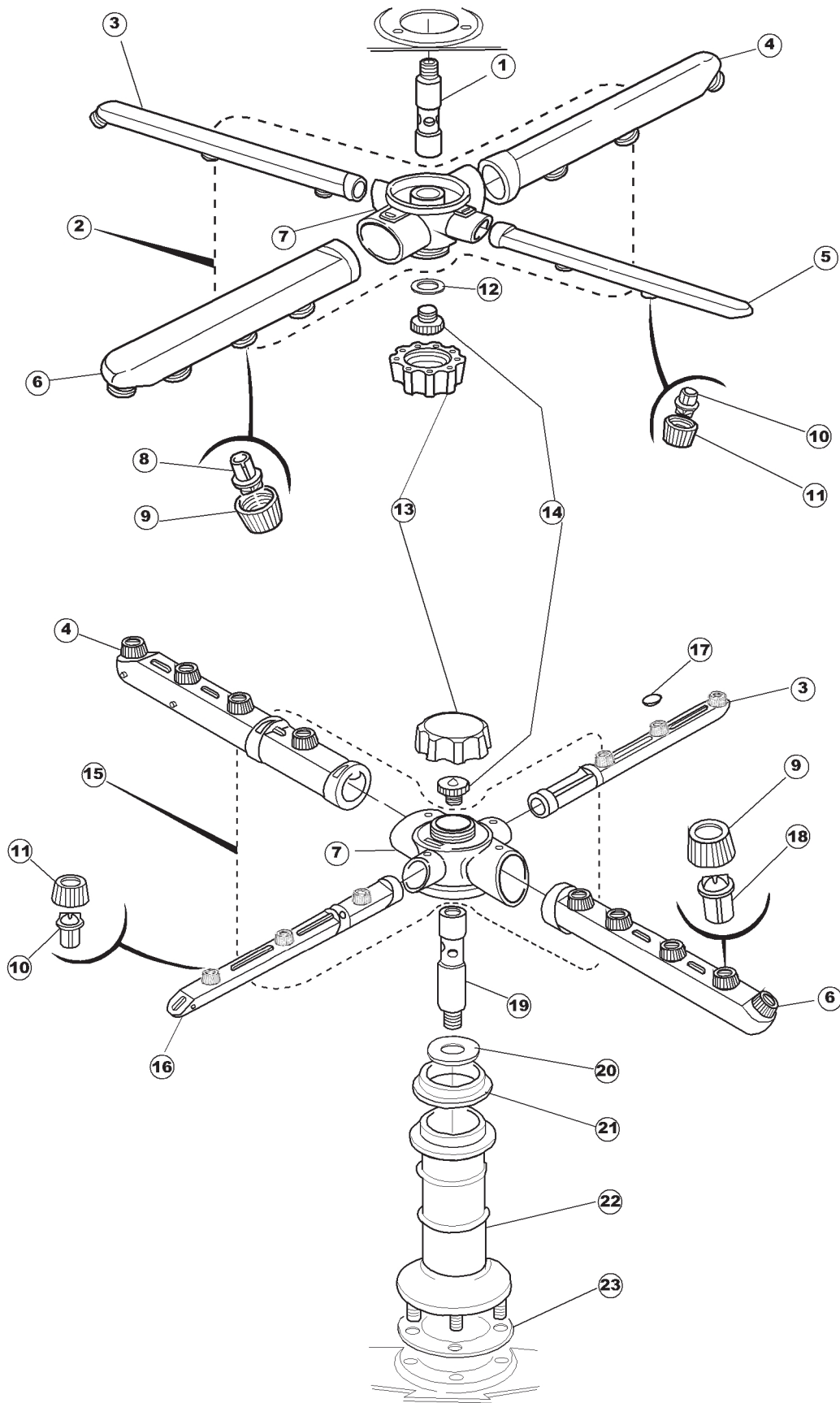
Scrap tray KIT
MH101494

OPTIONAL ON THIS MODEL



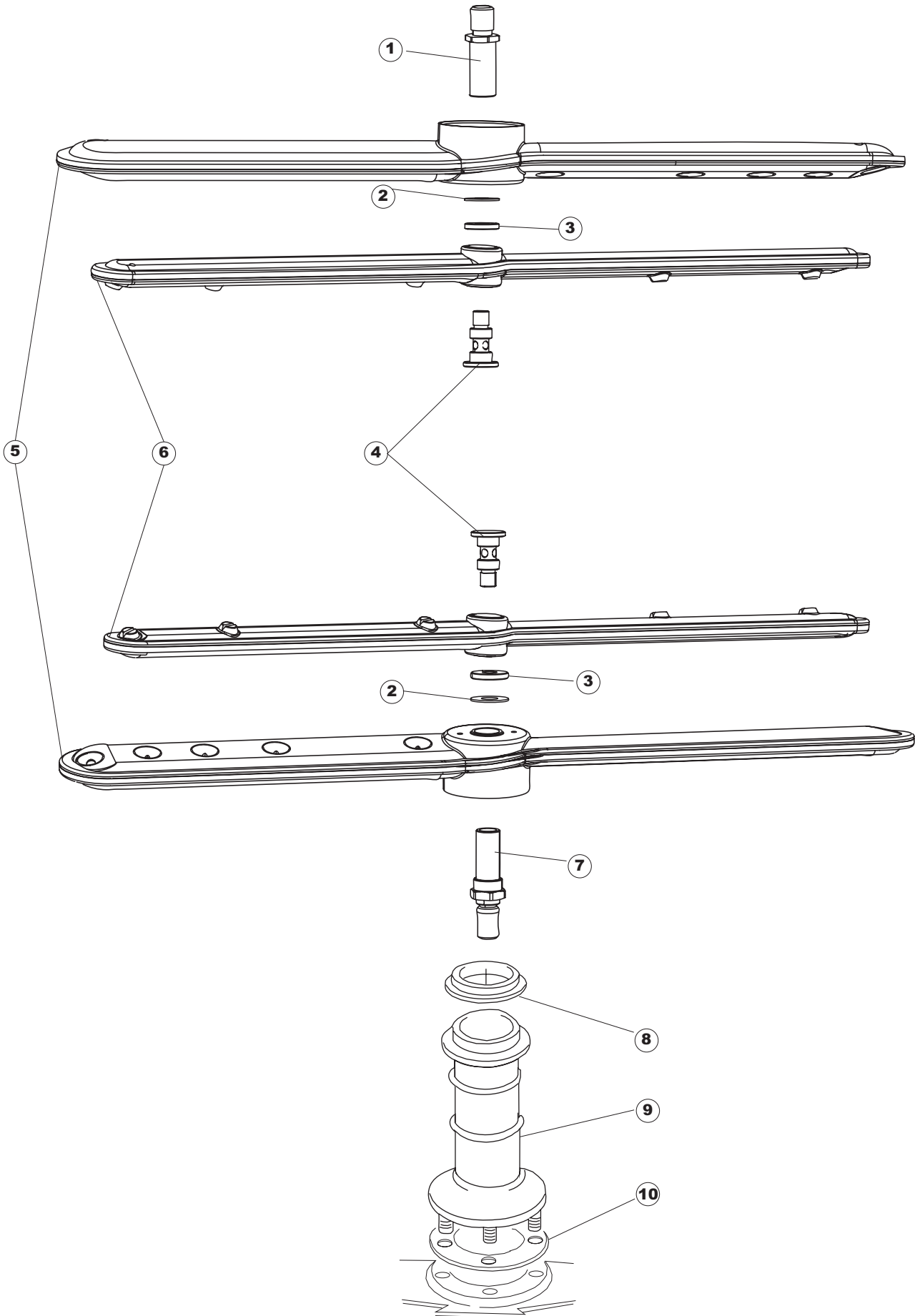
Page	Ref	Part Code	Description
5	1	MH100528	DRIP RING
5	2	MH100527	GASKET
5	3	MH100065	RINSE FEED TUBE
5	4	MH100546	REAR WASH TUBE – OVAL FITTING
5	4	MH103440	REAR WASH TUBE – OVAL FITTING from s/n 2722652
5	5	MH100529	BOTTOM WASH TUBE
5	6	MH101485	SCRAP TRAY L&R – PLASTIC
5	7	MH101484	SCRAP TRAY CENTRE SECTION PLASTIC
5	8	MH101030	STUD FOR TANK FILTER - GREY

7



Page	Ref	Part Code	Description
7	1	MH101007	BOSS SPINDLE
7	2	MH100609	UPPER WASH / RINSE ARM ASSEMBLY
7	3	MH101032	RINSE ARM R/H 3 JET
7	4	MH101035	WASH ARM 4 JET
7	5	MH101033	RINSE ARM 2 JET
7	6	MH101036	WASH ARM 5 JET
7	7	MH101009	CENTRE BOSS WASH / RINSE ARMS
7	8	MH101037	WASH JET CENTRE
7	9	MH100938	WASH JET RETAINER
7	10	MH100409	RINSE JET CENTRE
7	11	MH100408	RINSE JET RETAINER
7	12	MH103441	GASKET
7	13	MH100998	GREY FIXING KNOB
7	14	MH100999	WASH/RINSE ARM SECURING BOLT
7	15	MH102484	LOWER WASH/RINSE ARM ASSEMBLY
7	16	MH101196	RINSE ARM
7	17	MH101000	PLASTIC PLUG
7	18	MH100939	WASH JET
7	19	MH103640	SPINDLE WASH / RINSE
7	20	MH101052	SPINDLE WASHER
7	21	MH101053	DISC
7	22	MH100531	WASH BOSS
7	23	MH100491	GASKET FOR BOTTOM BOSS

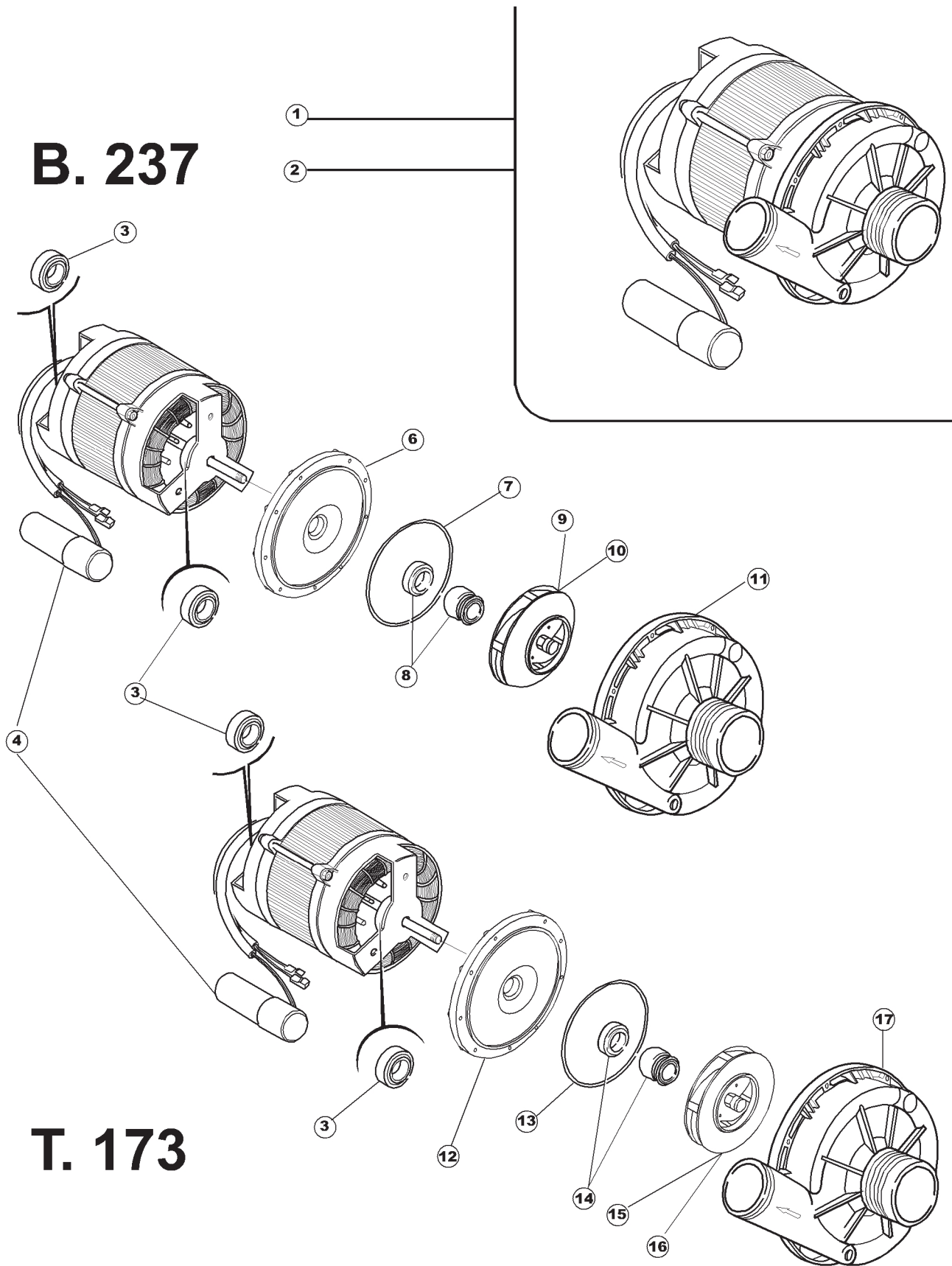
Amika 6XL New from S/N 2722652



Amika 6XL New from S/N 2722652

Ref	Part Code	Description
1	MH104376	WASH ARM SPINDLE
2	MH103844	GASKET – TEFLON
3	MH103846	THUMB NUT
4	MH104373	RINSE ARM SPINDLE
5	MH104377	WASH ARM
6	MH104378	RINSE ARM
7	MH104379	LOWER WASH ARM SPINDLE
8	MH100068	DISC – WATER FLOW REDUCER
9	MH100531	WASH BOSS
10	MH100491	GASKET – BOTTOM BOSS

B. 237



T. 173

Page	Ref	Part Code	Description
8	1	MH100533	WASH PUMP
8	2	X	
8	3	MH100534	BEARING
8	4	Q910111	CAPACITOR 16MF
8	6	MH100535	REAR IMPELLOR HOUSING B-237
8	7	MH100536	PUMP GASKET
8	8	MH100539	SHAFT SEAL
8	9	MH100537	IMPELLOR dia96 FITS B-237
8	10	X	
8	11	MH100538	PUMP FRONT HOUSING B-237
8	12	MH100541	REAR IMPELLOR COVER FITS T173
8	13	MH100542	IMPELLOR HOUSING SEAL
8	14	MH100420	MECHANICAL SEAL
8	15	MH100543	IMPELLOR dia104mm FITS T173
8	16	X	
8	17	MH100544	FRONT IMPELLOR HOUSING T173