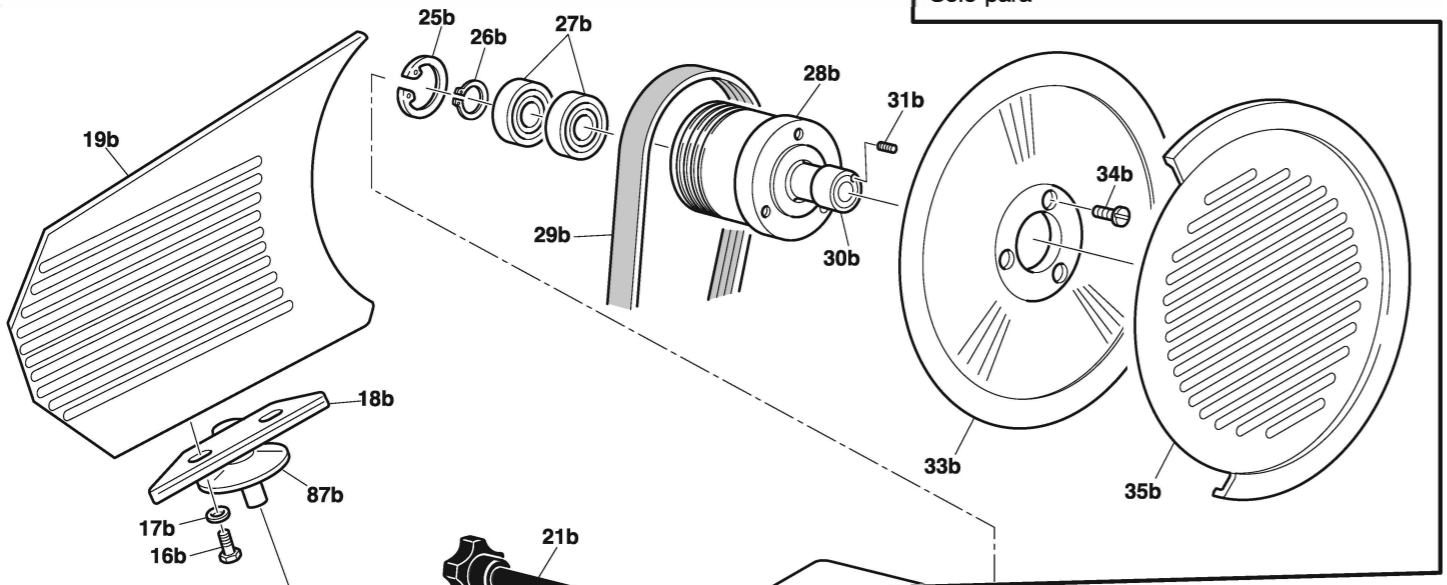
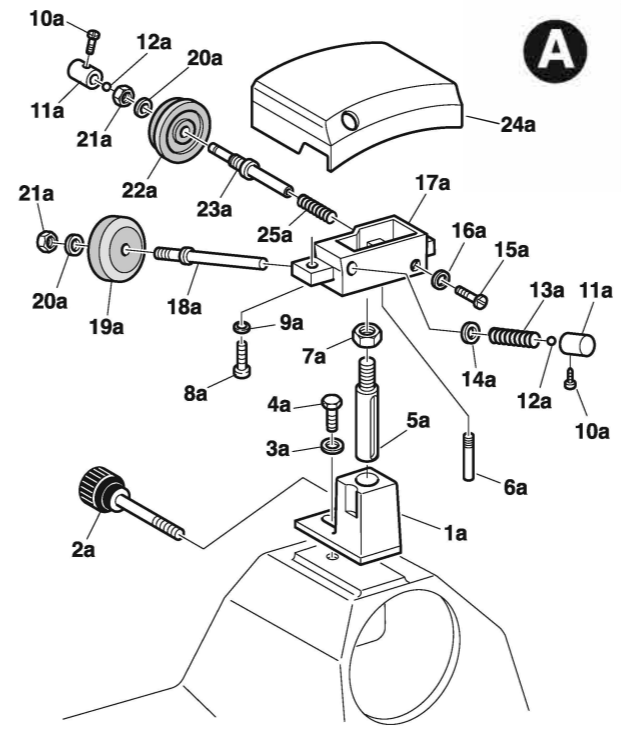


B

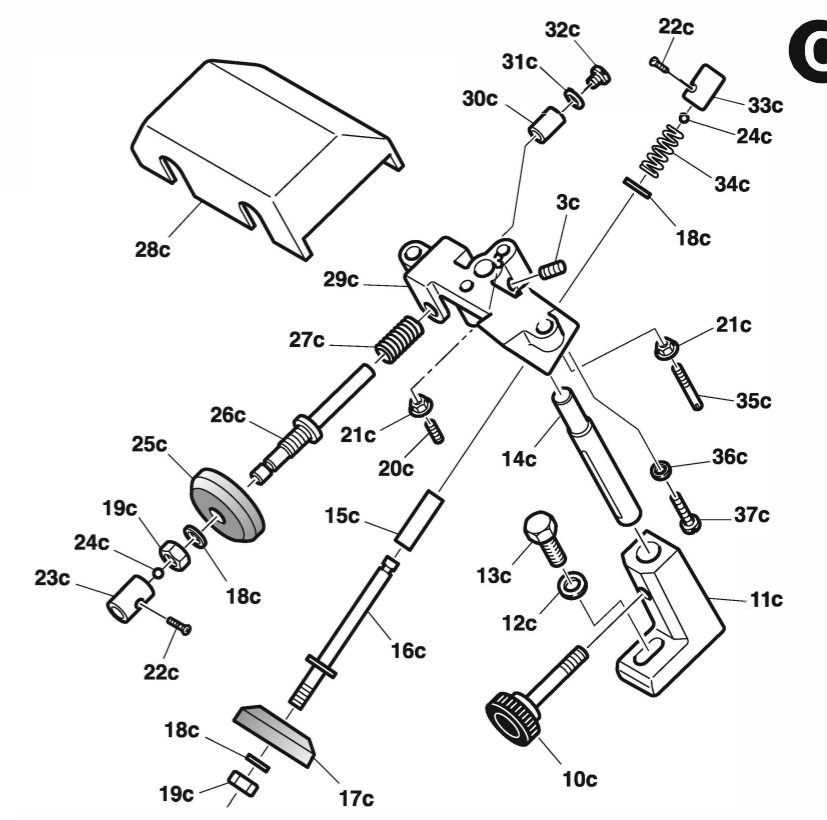
Solo per
Only for
Seulement pour
Nur für
Sólo para
S220AF - F195AF
F250E - F250R
F275E



A



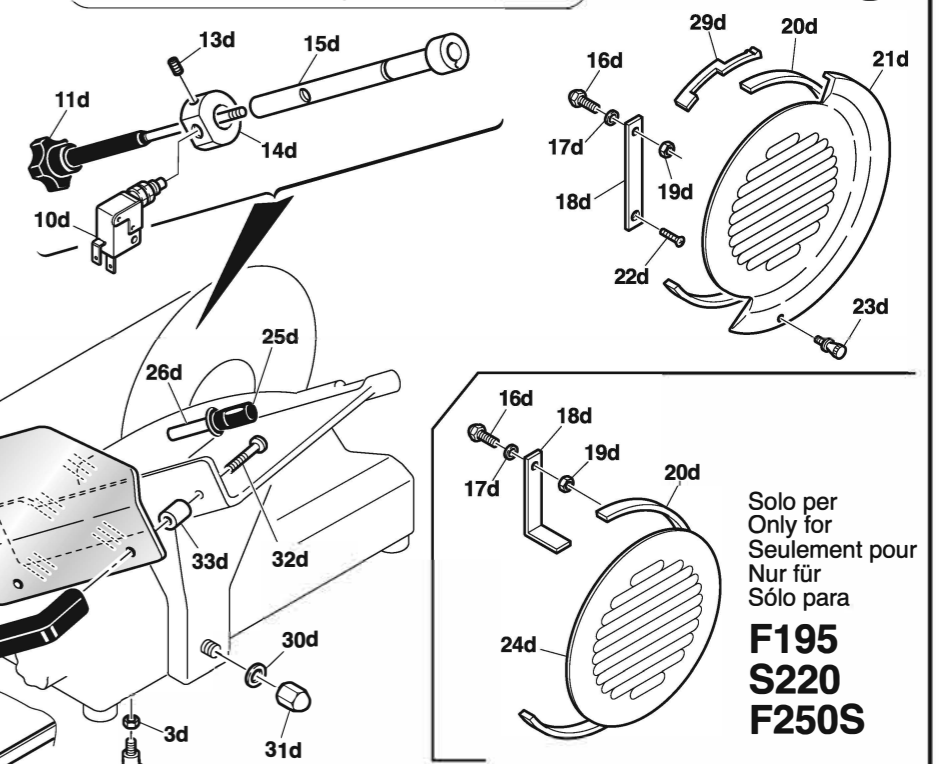
C



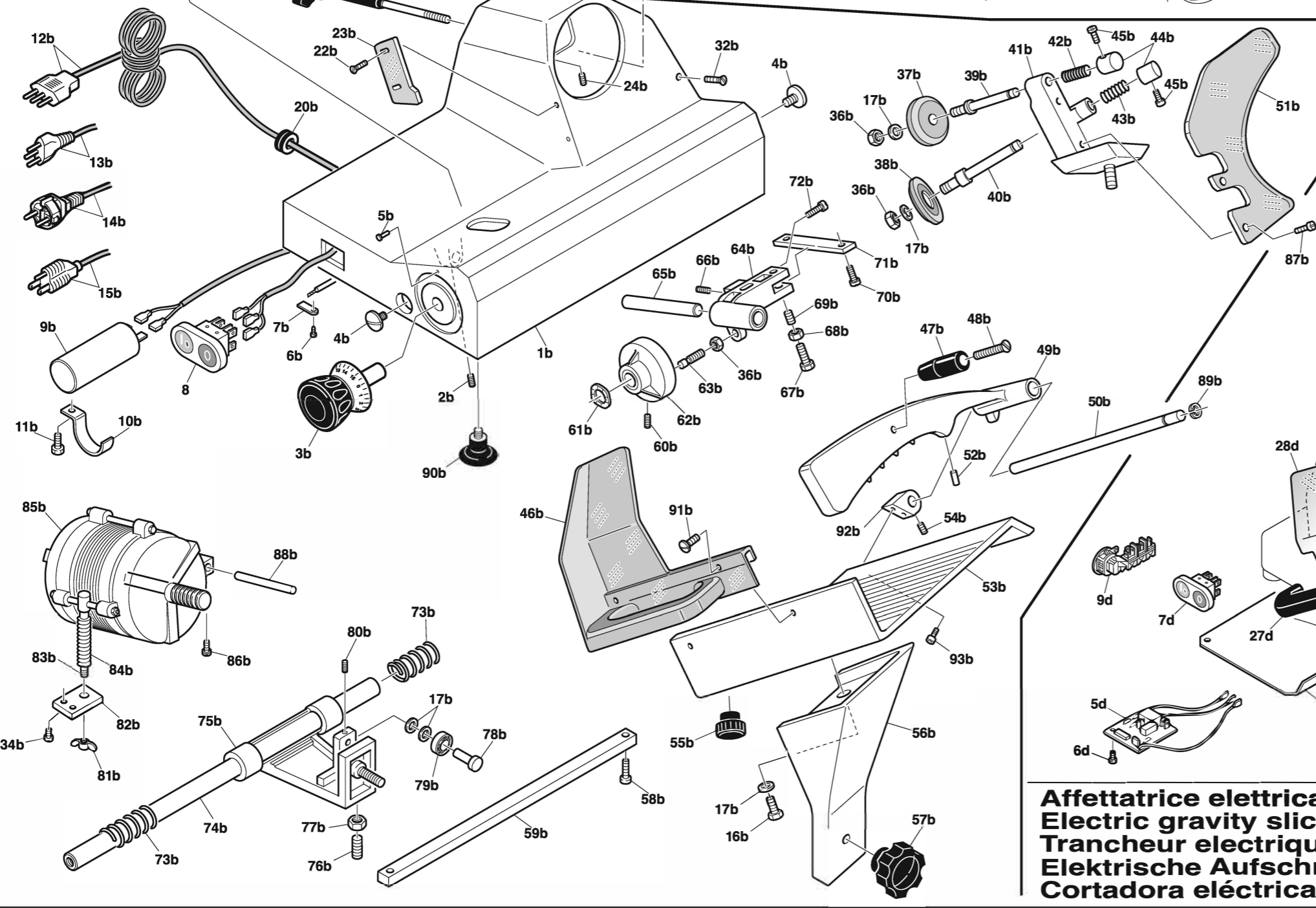
Dispositivi di sicurezza
Safety disposal
Dispositif de surete
Sicherung
Dispositivos de seguridad



D



Solo per
Only for
Seulement pour
Nur für
Sólo para
F195
S220
F250S



Affettatrice elettrica a gravità
Electric gravity slicer
Trancheur électrique par gravitation
Elektrische Aufschnittmaschine
Cortadora eléctrica de gravedad

F195 / F195AF
S220 / S220AF
F250ES / F250E
F250R / F275E

Ed. 03/2008

| Location | Description | LLK | Location | Description | LLK |
|----------|-----------------------------|---------|----------|-------------------------------|---------|
| | Blade Removal tool | F01.063 | B68 | Nut | F01.425 |
| A1 | Grinder Support | F01.371 | B69 | Grubscrew | F01.454 |
| A2 | Tie Rod For Grinder Unit | F01.236 | B70 | Bolt | F01.195 |
| A3 | Washer | F01.210 | B71 | Small Group Plate | F01.439 |
| A4 | Screw | F01.209 | B72 | Bolt | F01.195 |
| A5 | Grinder Support Rail | F01.185 | B73 | Spring | F01.235 |
| A6 | Grubscrew | F01.218 | B74 | Round Bar | F01.440 |
| A7 | Nut | F01.425 | B75 | Hopper Carriage Bracket | F01.039 |
| A8 | Bolt | F01.195 | B76 | Threaded Nylon | F01.006 |
| A9 | Washer | F01.210 | B77 | Nut | F01.425 |
| A10 | Screw | F01.331 | B78 | Pin | F01.442 |
| A11 | Sharpener Push Button | F01.332 | B79 | Bearing | F01.443 |
| A12 | Ball Bearing | F01.353 | B80 | Grubscrew | F01.218 |
| A13 | Spring | F01.253 | B81 | Nut With Wings | F01.444 |
| A14 | Washer | F01.210 | B82 | Motor Plate | F01.445 |
| A15 | Bolt | F01.195 | B83 | Motor Tie | F01.446 |
| A16 | Washer | F01.210 | B84 | Motor Spring | F01.235 |
| A17 | Grindstone Housing | F01.426 | B85 | Motor | F01.073 |
| A18 | Burrstone Bar | F01.427 | B86 | Bolt | F01.195 |
| A19 | Burrstone | F01.014 | B87 | Fence Plate Support (Plastic) | F01.294 |
| A20 | Washer | F01.210 | B88 | Motor Pin | F01.241 |
| A21 | Nut | F01.425 | B89 | Nut | F01.222 |
| A22 | Grindstone | F01.013 | B90 | Foot (Each) | F01.179 |
| A23 | Sharpener Pin | F01.427 | B91 | Bolt | F01.195 |
| A24 | Grinder Cover | F01.428 | B92 | Flat Block | F01.441 |
| A25 | Spring | F01.235 | C3 | Grubscrew | F01.218 |
| B1 | Casing | F01.447 | C10 | Handle | F01.219 |
| B2 | Grubscrew | F01.218 | C11 | Grinder Support | F01.371 |
| B3 | Thickness Indicator Knob | F01.017 | C12 | Washer | F01.210 |
| B4 | Chrome Screw | F01.429 | C13 | Screw | F01.209 |
| B5 | Bolt | F01.430 | C14 | Grinder Support Rail | F01.185 |
| B6 | Self Tapping Screw | F01.431 | C15 | Spacer | F01.452 |
| B7 | Stop Plate | F01.432 | C16 | Sharpener Pin | F01.427 |
| B8 | On/Off Switch | F01.059 | C17 | Grindstone | F01.013 |
| B9 | Condesor/Capacitor | F01.165 | C18 | Washer | F01.210 |
| B10 | Condesor/Capacitor Clamp | F01.433 | C19 | Nut | F01.425 |
| B11 | Bolt | F01.195 | C20 | Grubscrew | F01.218 |
| B16 | Screw | F01.209 | C21 | Nut | F01.425 |
| B17 | Washer | F01.210 | C22 | Screw | F01.331 |
| B18 | Fence Plate Support (Metal) | F01.292 | C23 | Sharpener Push Button | F01.332 |
| B19 | Fenceplate | F01.434 | C24 | Ball | F01.333 |
| B21 | Tie Rod | F01.208 | C25 | Burrstone | F01.014 |

| Location | Description | LLK | | Location | Description | LLK |
|----------|---------------------------|----------|--|----------|-----------------------|----------|
| B22 | Self Tapping Screw | F01.431 | | C26 | Sharpener Pin | F01.427 |
| B23 | Blade Scraper | F01.044A | | C27 | Spring | F01.235 |
| B24 | Grubscrew | F01.218 | | C28 | Grinder Cover | F01.449 |
| B25 | Circlip | F01.435 | | C29 | Body | F01.453 |
| B26 | Circlip | F01.435 | | C30 | Spacer | F01.452 |
| B27 | Bearing | F01.359 | | C31 | Washer | F01.210 |
| B28 | Pulley | F01.436 | | C32 | Bolt | F01.195 |
| B29 | Poly V Belt | F01.182A | | C33 | Sharpener Push Button | F01.332 |
| B30 | Threaded Spindle | F01.419 | | C34 | Spring | F01.235 |
| B31 | Grubscrew | F01.218 | | C35 | Grubscrew | F01.218 |
| B32 | Bolt | F01.195 | | C36 | Washer | F01.210 |
| B33 | 250mm Blade | F01.201 | | C37 | Bolt | F01.195 |
| B33 | 250mm Teflon Coated Blade | F01.203 | | D1 | Bolt | F01.195 |
| B34 | Bolt | F01.195 | | D2 | Spacer | F01.197 |
| B35 | Blade Guard | F01.004 | | D3 | Nut | F01.425 |
| B36 | Nut | F01.425 | | D4 | Base Panel | F01.174 |
| B37 | Burrstone | F01.014 | | D5 | Relay Board | F01.198 |
| B38 | Grindstone | F01.013 | | D6 | Bolt | F01.195 |
| B39 | Burrstone Bar | F01.427 | | D7 | On/Off Switch | F01.059 |
| B40 | Grindstone Bar | F01.427 | | D9 | Connecting Post Gland | F01.448 |
| B46 | Plastic Hopper Guard | F01.211 | | D10 | Microswitch Cut Out | F01.190 |
| B47 | Bush | F01.212 | | D11 | Tie Rod | F01.208 |
| B48 | Screw | F01.171 | | D12 | Grubscrew | F01.218 |
| B49 | Hopper Press Arm | F01.022 | | D13 | Grubscrew | F01.218 |
| B50 | Meat Clamp Carrier | F01.215 | | D15 | Threaded Spindle | F01.419 |
| B51 | Sharp Protection | F01.437 | | D16 | Bolt | F01.195 |
| B52 | Spacer | F01.216 | | D17 | Washer | F01.210 |
| B53 | Hopper | F01.217 | | D18 | Support Ring | F01.405 |
| B54 | Grubscrew | F01.218 | | D19 | Nut | F01.425 |
| B55 | Handle | F01.219 | | D20 | Ring | F01.406 |
| B56 | Hopper Clamp | F01.220 | | D21 | Blade Guard | F01.004 |
| B57 | Hopper Clamp Knob | F01.020 | | D22 | Bolt | F01.195 |
| B58 | Bolt | F01.195 | | D23 | Knurled Knob | F01.407 |
| B59 | Carriage Slide Bar | F01.293 | | D25 | Handle | F01.099 |
| B60 | Grubscrew | F01.218 | | D26 | Cover (Spacer) | F01.118A |
| B61 | Washer | F01.438 | | D27 | Hopper Handle | F01.098 |
| B62 | Cam | F01.450 | | D28 | Hopper Guard | F01.177 |
| B63 | Grubscrew | F01.451 | | D29 | Grinder Unit Rail | F01.178A |
| B64 | Cam Pin Slider | F01.455 | | D30 | Washer | F01.210 |
| B65 | Small Group Pin | F01.442 | | D31 | Nut | F01.425 |
| B66 | Grubscrew | F01.218 | | D32 | Bolt | F01.195 |
| B67 | Bolt | F01.195 | | D33 | Spacer | F01.205 |