
Spare Parts Manual

P200

Serial number:
162028

Service address:

Manufacturer:

MULTIVAC
Sepp Haggenmüller GmbH & Co. KG
Bahnhofstraße 4
D-87787 Wolfertschwenden
Tel.: +49 (0) 8334 601-0
www.multivac.com

Date: 23.08.2012

Table of Contents

P200_162028	4
housing	6
bottom section	8
lock	10
bottom plate	12
lid	14
Spares package	16
sealing bar	18
set of signs	20
Pneumatic installation parts	22
valve	24
accessories	26
electrical system	28
pneumatics	30
nozzle	32
cylinder	34
valve unit	36
valve	38
pressure regulator	40
rapid vent valve	42

keine Zeichnung vorhanden
no drawing available

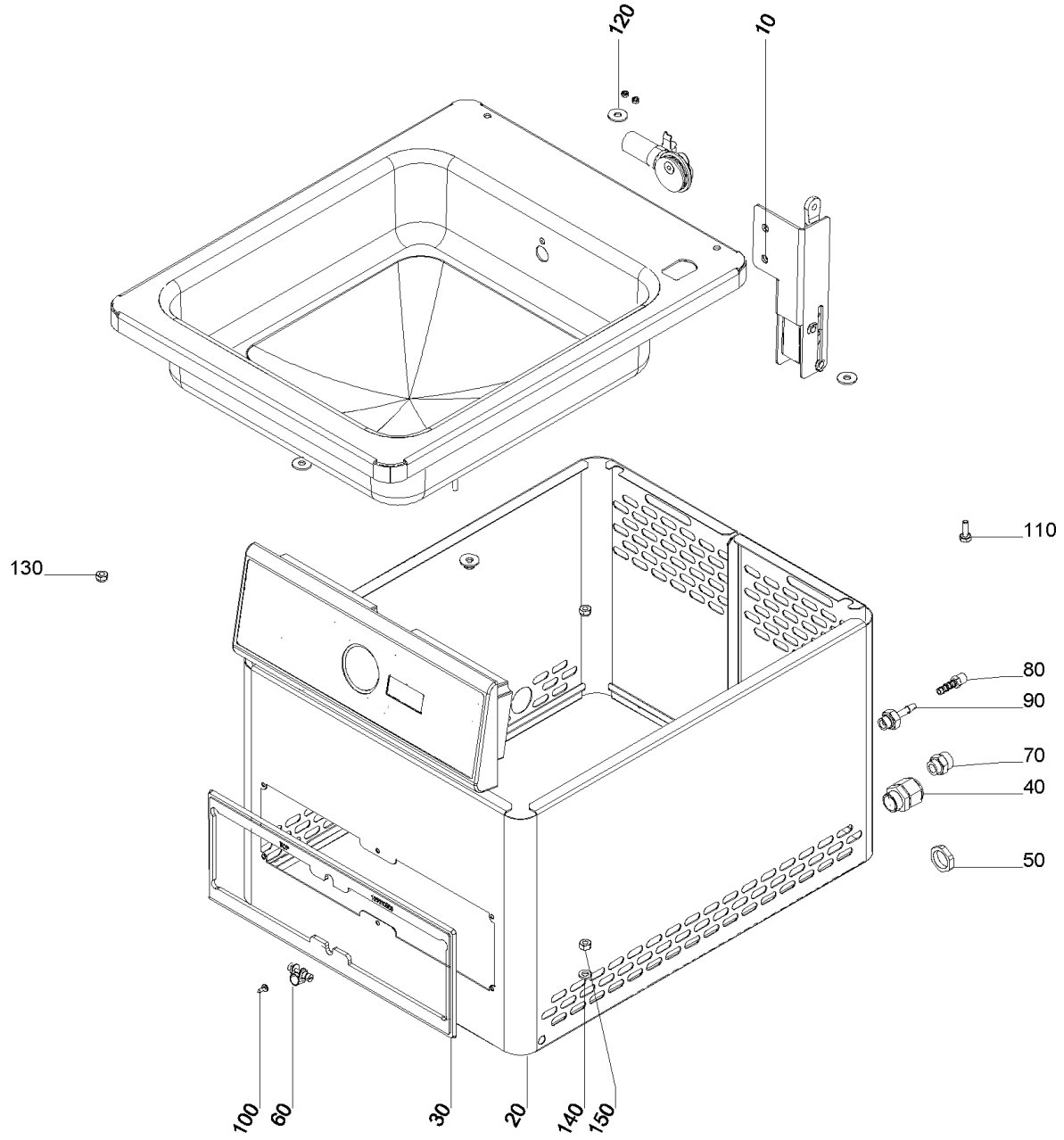
CDCSID-20100824-121638

P200_162028

pos	material	document	version	description	quantity	quantity unit	SPC
10	106596192	16000232590	0	housing	1,000	PC	N
20	106596237	16000232572	B	bottom plate	1,000	PC	N
30	106527330	16000220311	A	lid	1,000	PC	N
40	106521584	16000217966	A	sealing bar	1,000	PC	N
50	106524529	16000218517	A	set of signs	1,000	PC	9
60	106596244			L-bracket	1,000	PC	N
70	106473630			filling plate	2,000	PC	N
80	11191782180			diagonal insert	1,000	PC	N
90	106582672			vacuum pump	1,000	PC	N
91	106601613	16000233712	0	Pneumatic installation parts	1,000	PC	N
100	106684412	16000253108	0	accessories	1,000	PC	N
4000	106505794			electrical system	1,000	PC	N
5000	106454308	16000209751	B	pneumatics	1,000	PC	N
5001	106601647	16000233698	A	valve unit	1,000	PC	N

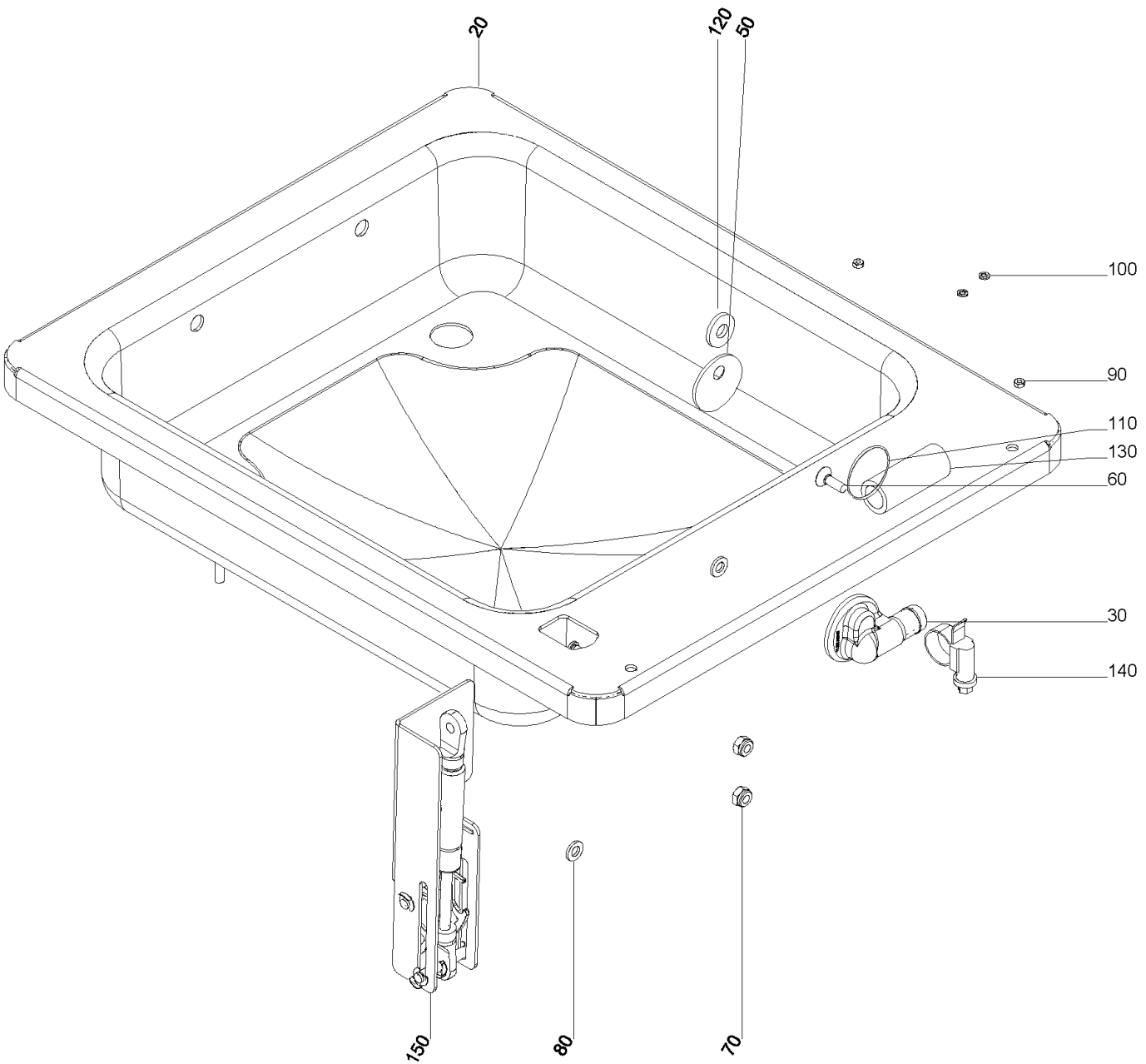
P200_162028_1030997

©23.08.2012 MULLTIVAC Sepp Hagenmüller GmbH & Co. KG



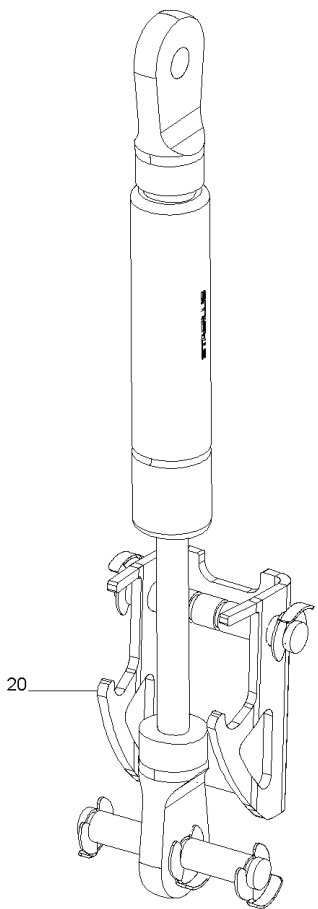
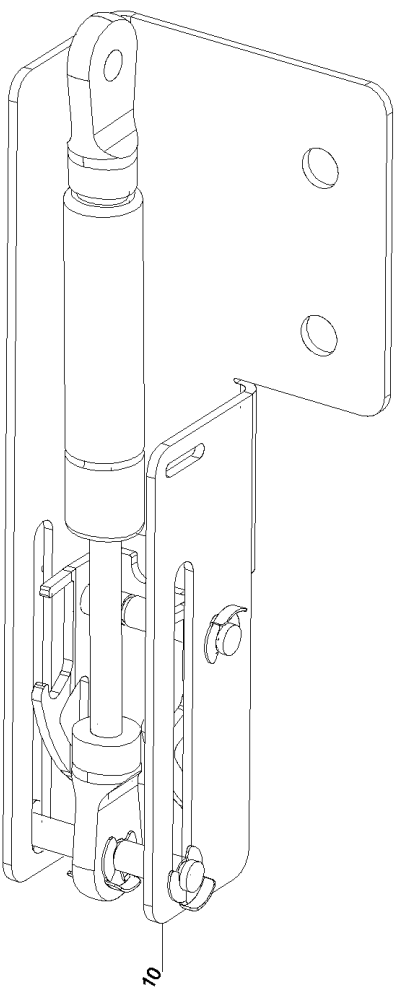
106596192 housing							
pos	material	document	version	description	quantity	quantity unit	SPC
10	106453600	16000209659	B	bottom section	1,000	PC	N
20	106436858			housing	1,000	PC	N
30	106480503			seal	1,000	PC	N
40	85131114912			screwed cable gland	1,000	PC	N
50	85131102023			nut	1,000	PC	N
60	81190110122			hose clamp	1,000	PC	9
70	81141807902			reducer bell	1,000	PC	9
80	81141213120			threaded socket	1,000	PC	9
90	19101100800			threaded socket	1,000	PC	9
100	75085020202			oval head tapping screw	6,000	PC	9
110	75001061116			hexagon-head bolt	2,000	PC	9
120	75211030602			disk	4,000	PC	9
130	75200200602			hexagon nut	3,000	PC	9
140	75211010602			disk	1,000	PC	9
150	75200000602			hexagon nut	1,000	PC	9

P200 162028 1030997



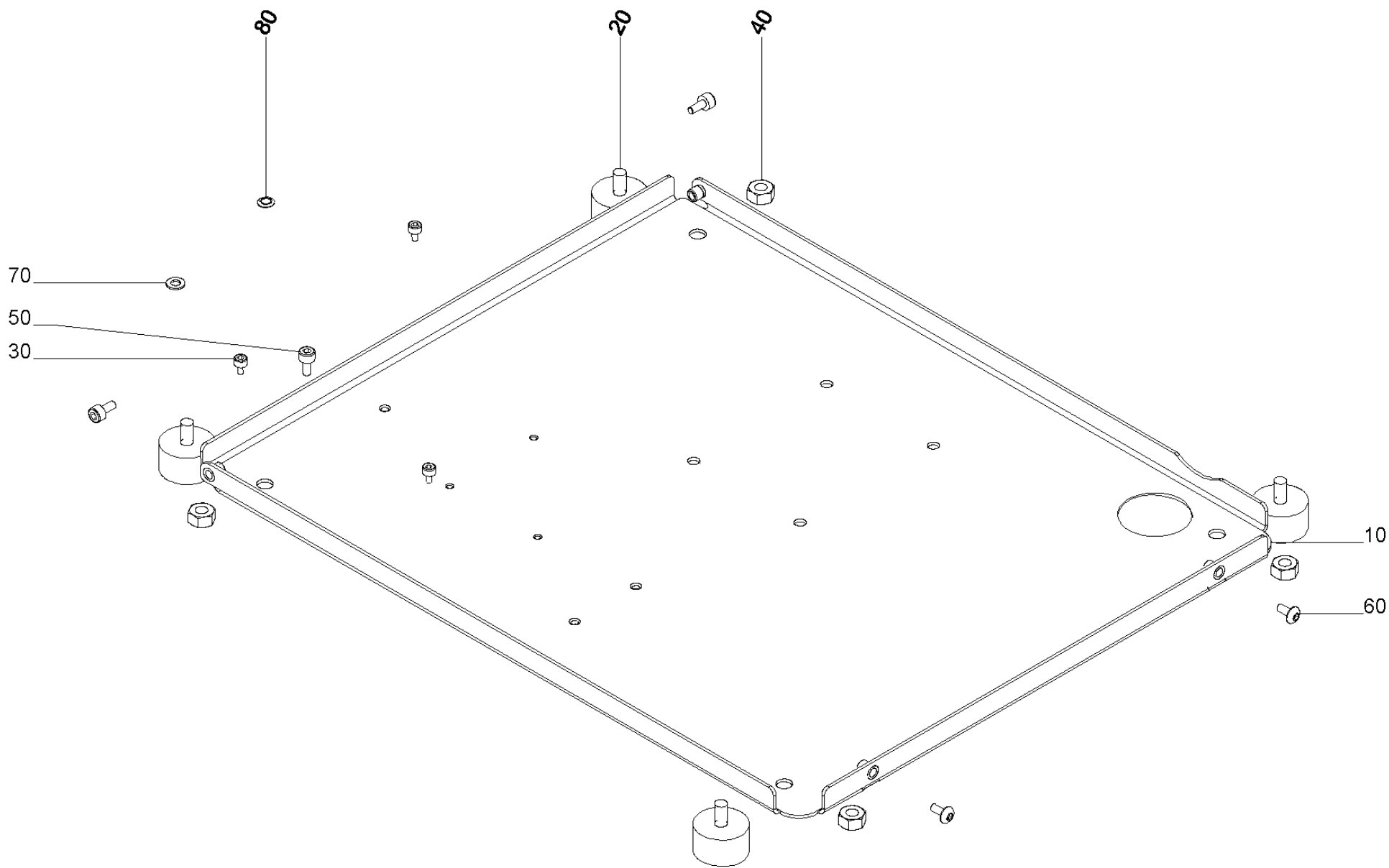
106453600

106453600 bottom section							
pos	material	document	version	description	quantity	quantity unit	SPC
20	106450424			bottom section	1,000	PC	N
30	11181755503			connecting block	1,000	PC	N
50	106384176			disk	1,000	PC	N
60	75020061102			countersunk flat head screw	1,000	PC	9
70	75200200602			hexagon nut	2,000	PC	9
90	75200000302			hexagon nut	2,000	PC	9
110	78301030200			o-ring	1,000	PC	1
120	75212082002			disk	1,000	PC	9
130	81817101050			spiral hose	0,700	M	9
140	81190180010			hose clamp	1,000	PC	9
150	106527340	16000221816	0	lock	1,000	PC	N



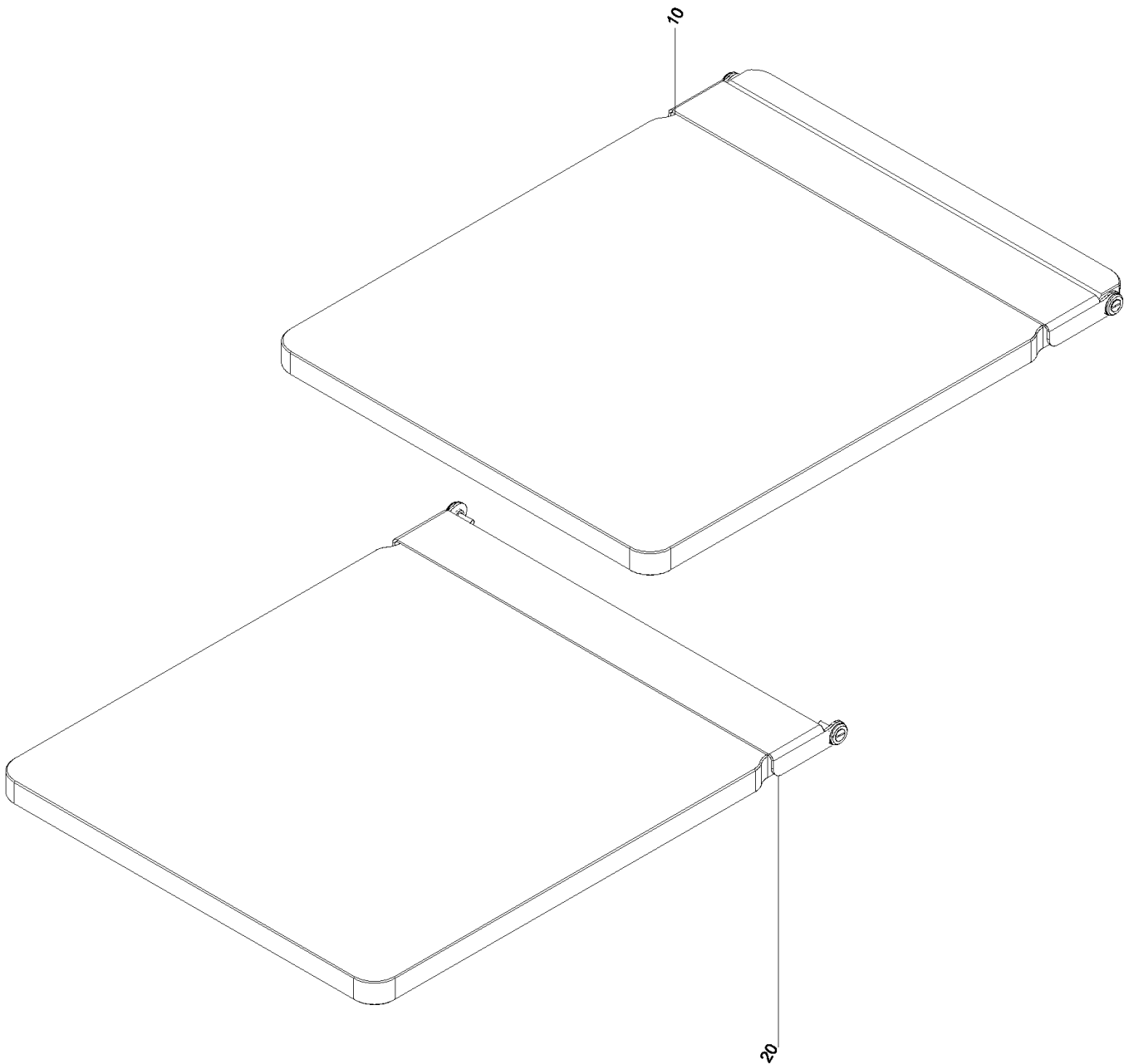
106527340

106527340 lock							
pos	material	document	version	description	quantity	quantity unit	SPC
10	106505190			lock	1,000	PC	N
20	106527360			Spares package	1,000	PC	3



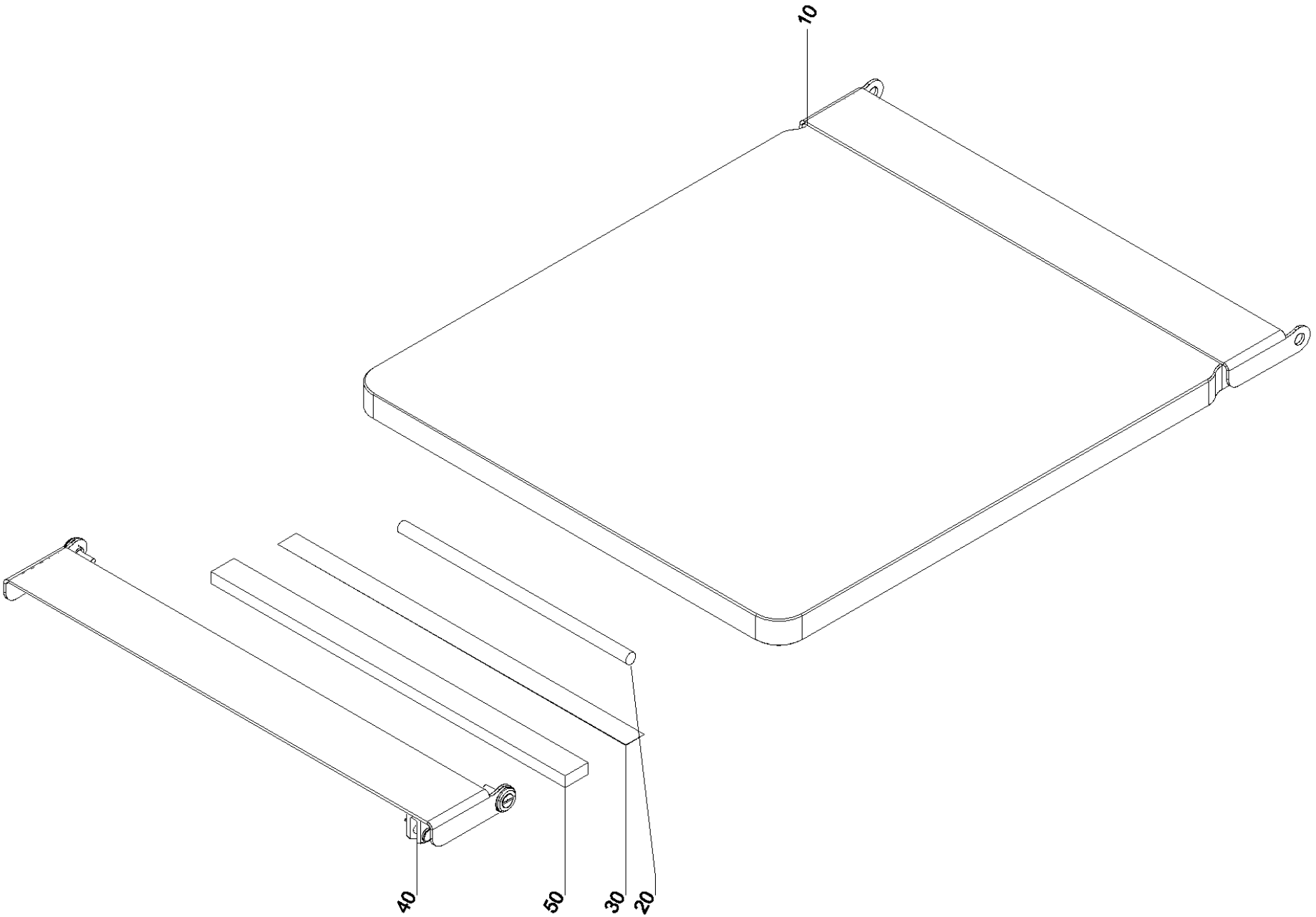
P200 162028 1030997

106596237							
bottom plate							
pos	material	document	version	description	quantity	quantity unit	SPC
10	106415720			bottom plate	1,000	PC	N
20	81932111330			rubber metal cushion	4,000	PC	N
30	75010040402			cylindrical screw	3,000	PC	9
40	75200000802			hexagon nut	4,000	PC	9
50	75010050802			cylindrical screw	3,000	PC	9
60	75028050802			lens head screw	2,000	PC	9
70	75211010502			disk	1,000	PC	9
80	75210070502			thrust washer	1,000	PC	9



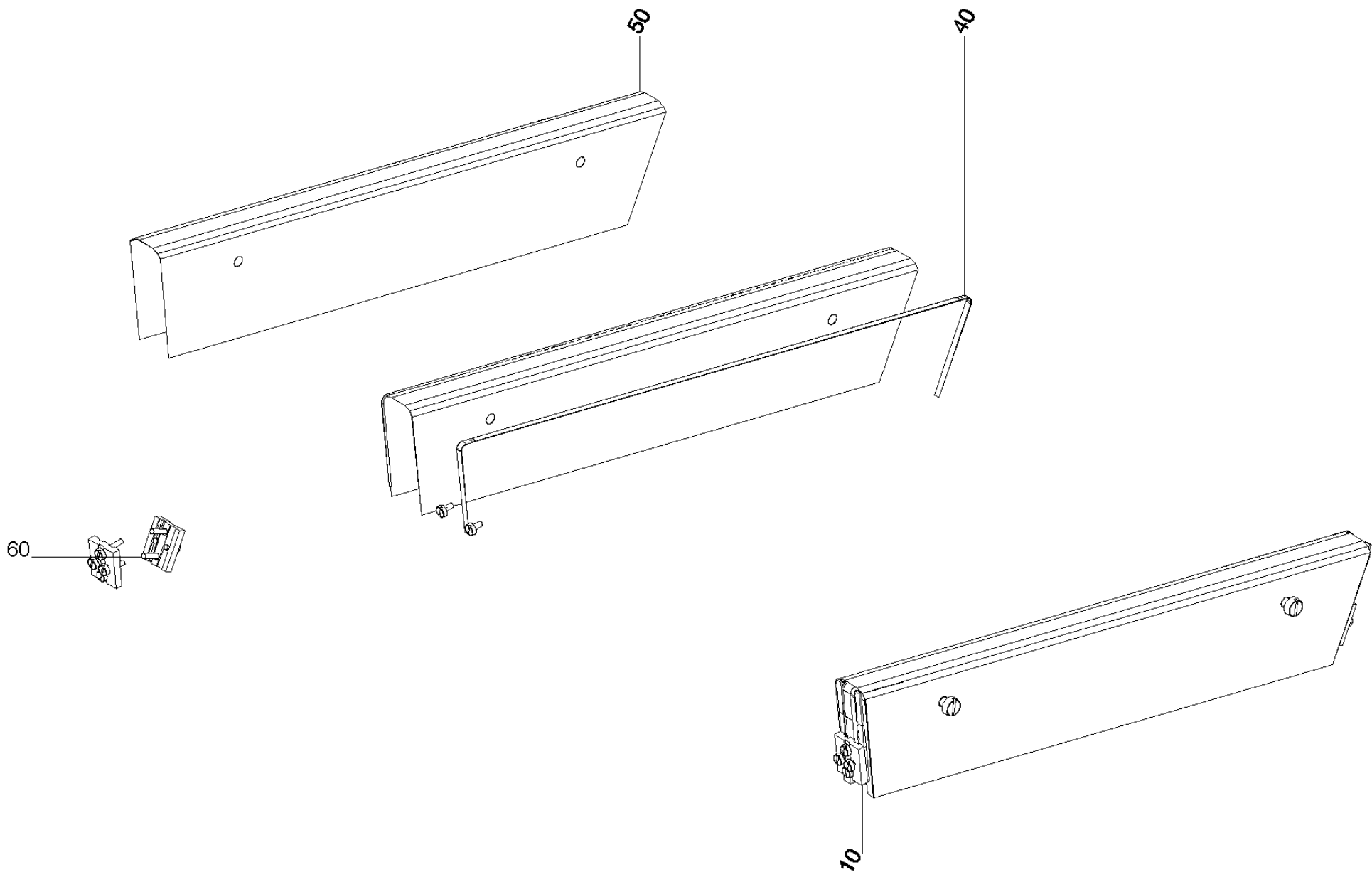
106527330

106527330					lid		
pos	material	document	version	description	quantity	quantity unit	SPC
10	106521041			lid	1,000	PC	N
20	106535610	16000222149	0	Spares package	1,000	PC	5



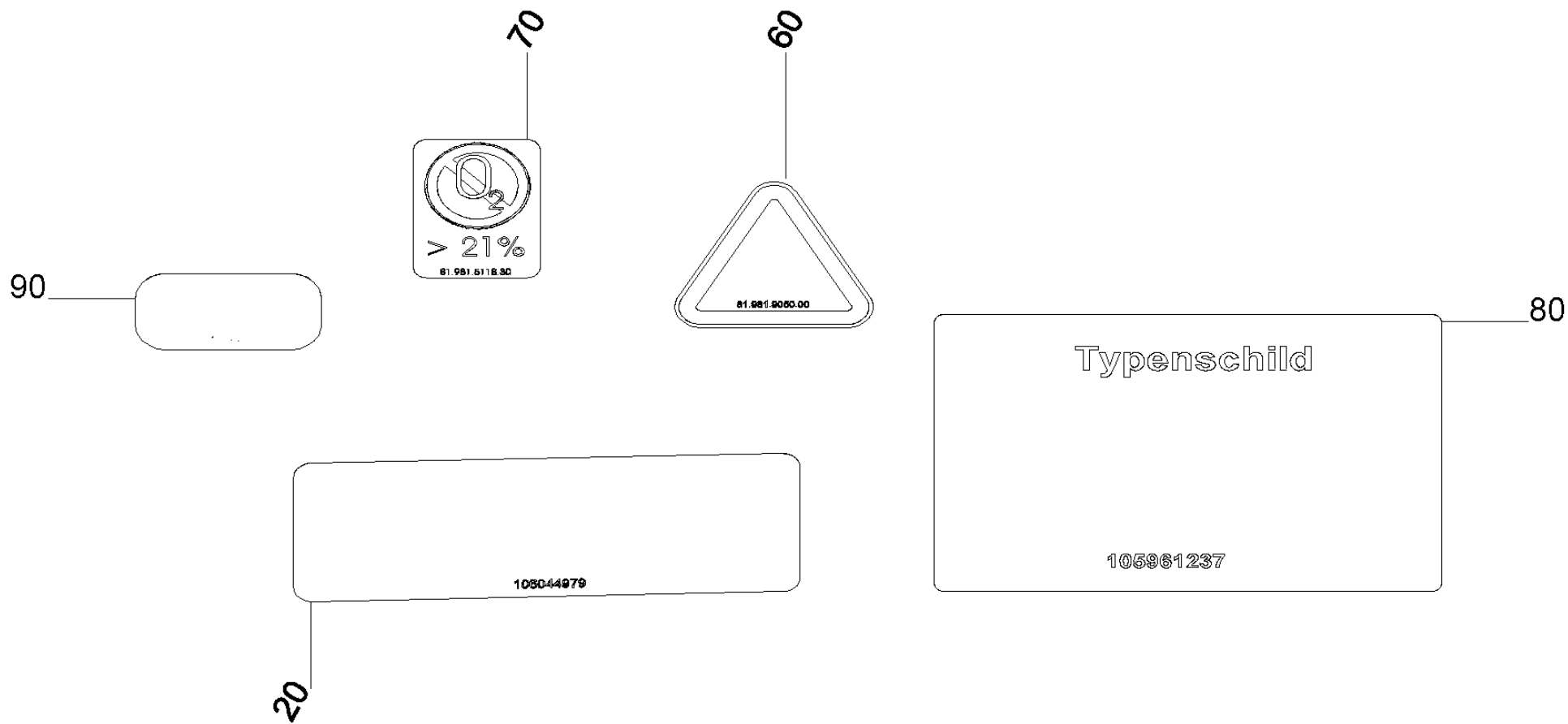
106535610

106535610 Spares package							
pos	material	document	version	description	quantity	quantity unit	SPC
10	106449349			lid	1,000	PC	N
20	105893127			toroidal seal	1,400	M	3
30	81848121001			Teflon tape	2,000	M	1
40	106527286			wearing part set	1,000	PC	1
50	106527294			wearing part set	1,000	PC	1

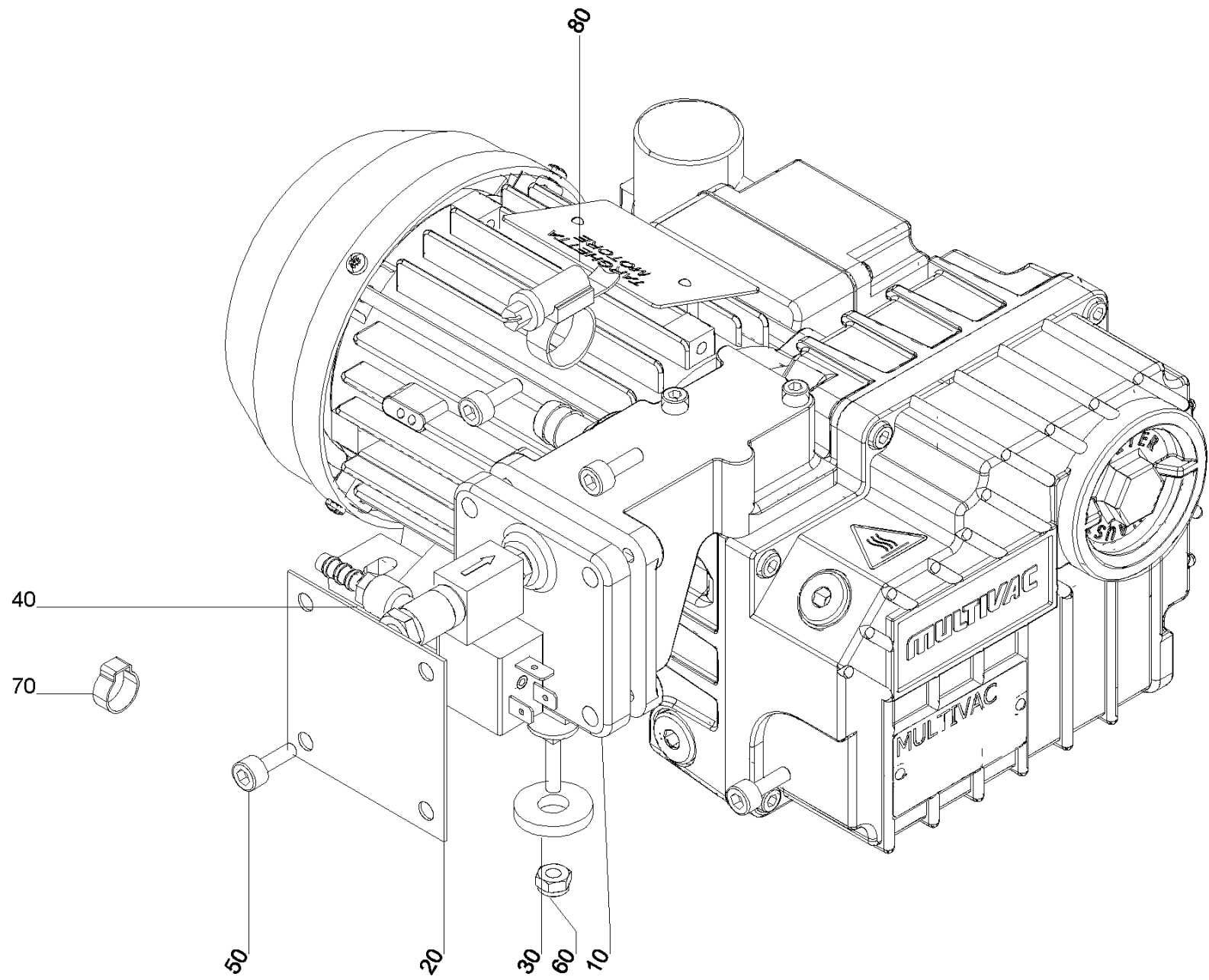


106521584

106521584								sealing bar	
pos	material	document	version	description	quantity	quantity unit	SPC		
10	106521582			sealing bar	1,000	PC	N		
40	106521583			repair kit	1,000	PC	9		
50	105311871			Teflon tape	1,800	M	1		
60	106535403			Spares package	1,000	PC	9		



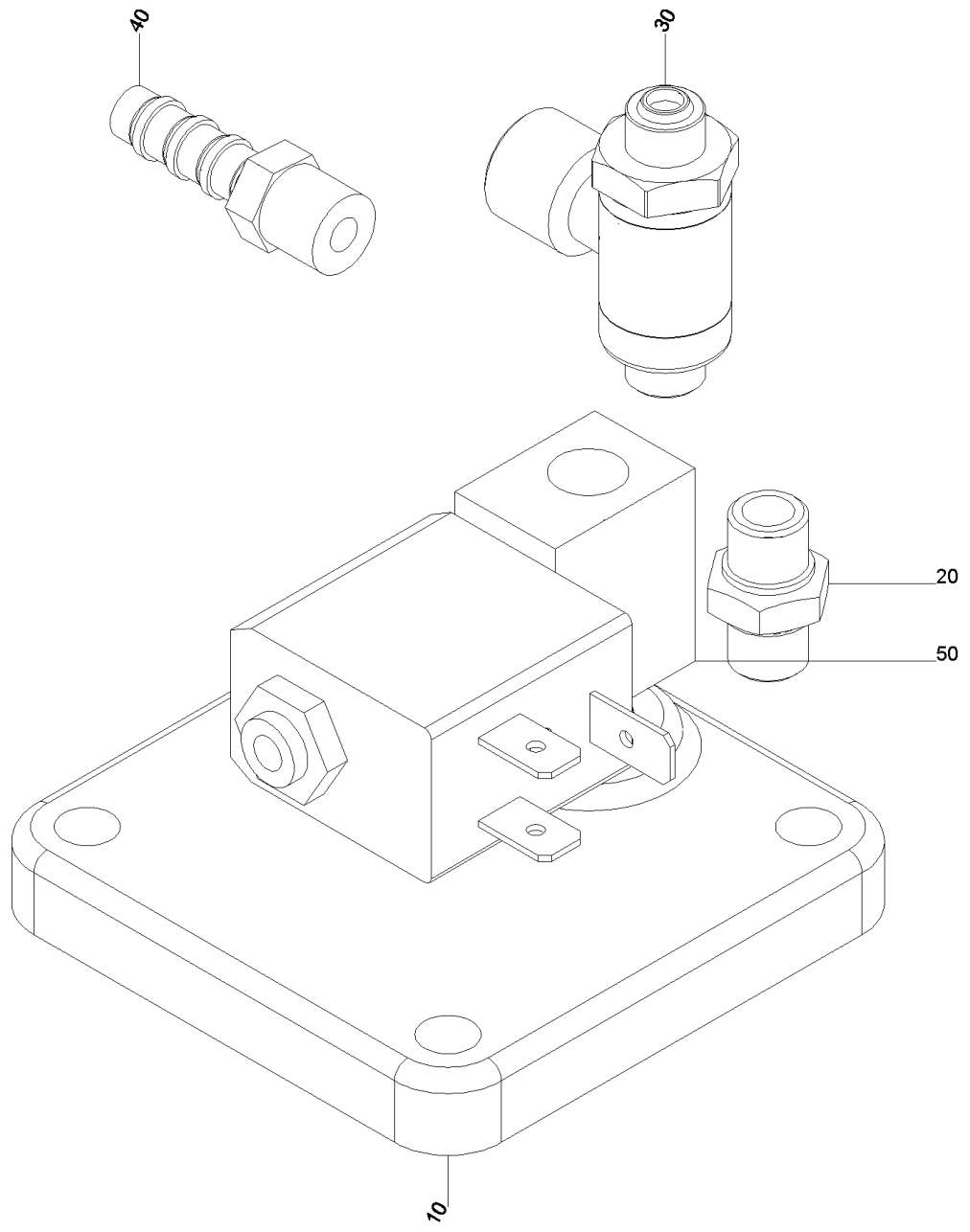
106524529		set of signs					
pos	material	document	version	description	quantity	quantity unit	SPC
20	106044979			plate	1,000	PC	N
60	81981905000			warning sign	1,000	PC	N
70	81981511830			information sign	1,000	PC	N
80	105961237			type plate	1,000	PC	N
90	106647247			mark of conformity	1,000	PC	N



P200 162028 1030997

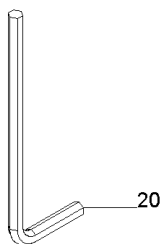
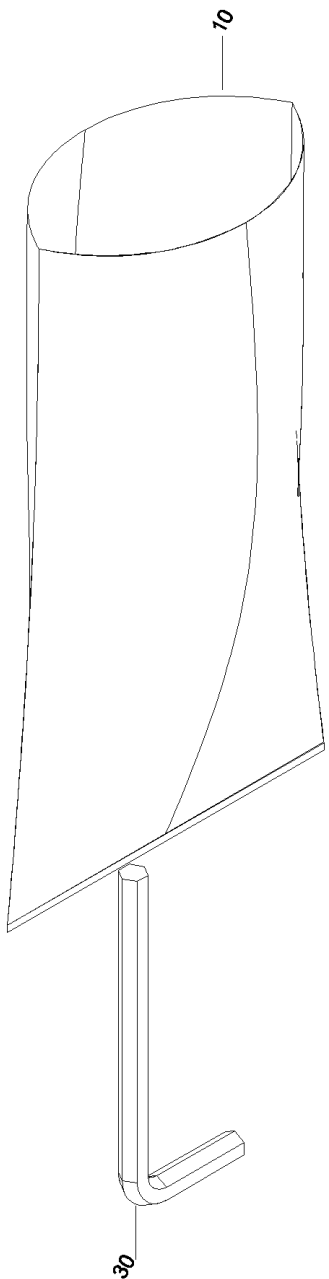
106601613

106601613 Pneumatic installation parts							
pos	material	document	version	description	quantity	quantity unit	SPC
10	106452351	16000206140	0	valve	1,000	PC	N
20	11181798040			diaphragm	1,000	PC	3
30	19717110150			disk	4,000	PC	N
40	75070061502			flat-head bolt	4,000	PC	N
50	75010061116			cylindrical screw	4,000	PC	9
60	75200200602			hexagon nut	4,000	PC	9
70	81190200621			hose clamp	2,000	PC	9
80	81190180010			hose clamp	1,000	PC	9



106452351

106452351 valve							
pos	material	document	version	description	quantity	quantity unit	SPC
10	11181756500			valve bonnet	1,000	PC	5
20	81141807001			barrel nipple	1,000	PC	9
30	80271111010			throttle valve	1,000	PC	5
40	81141213120			threaded socket	1,000	PC	9
50	80260112003			3/2 valve	1,000	PC	3

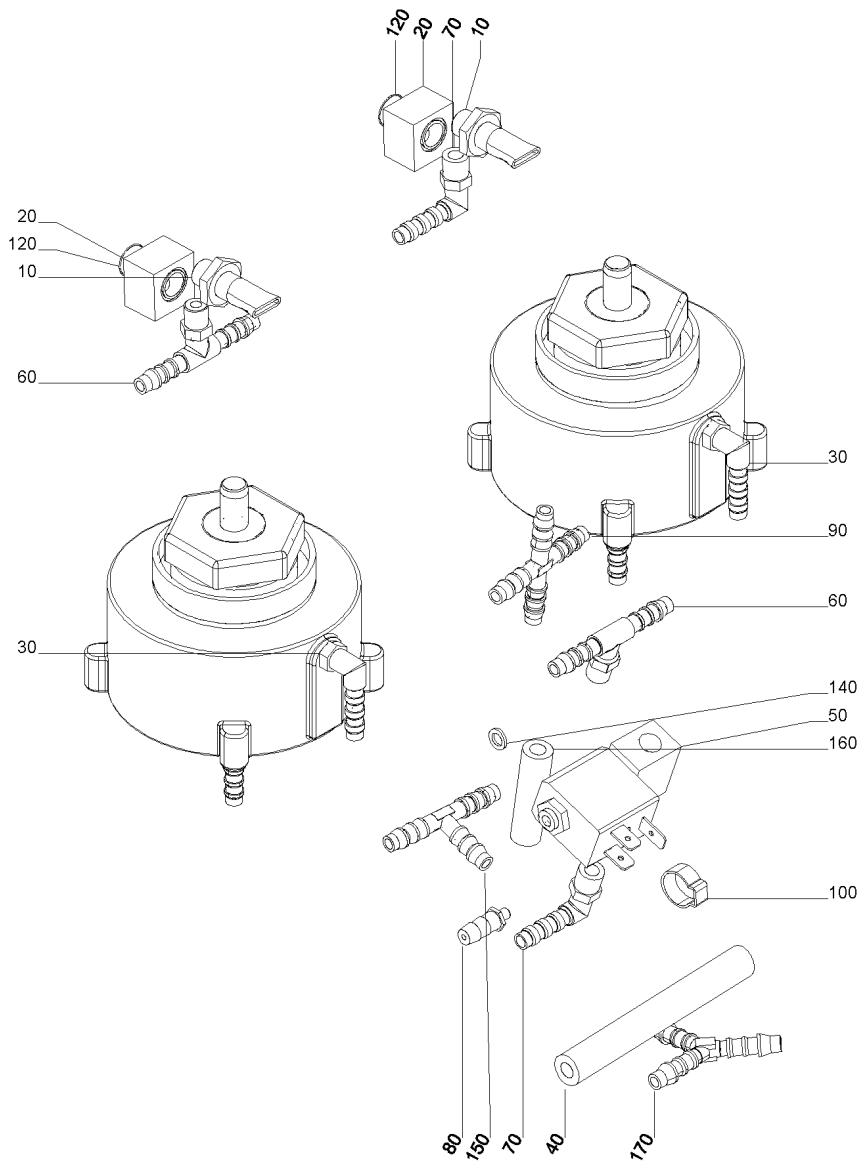


106684412

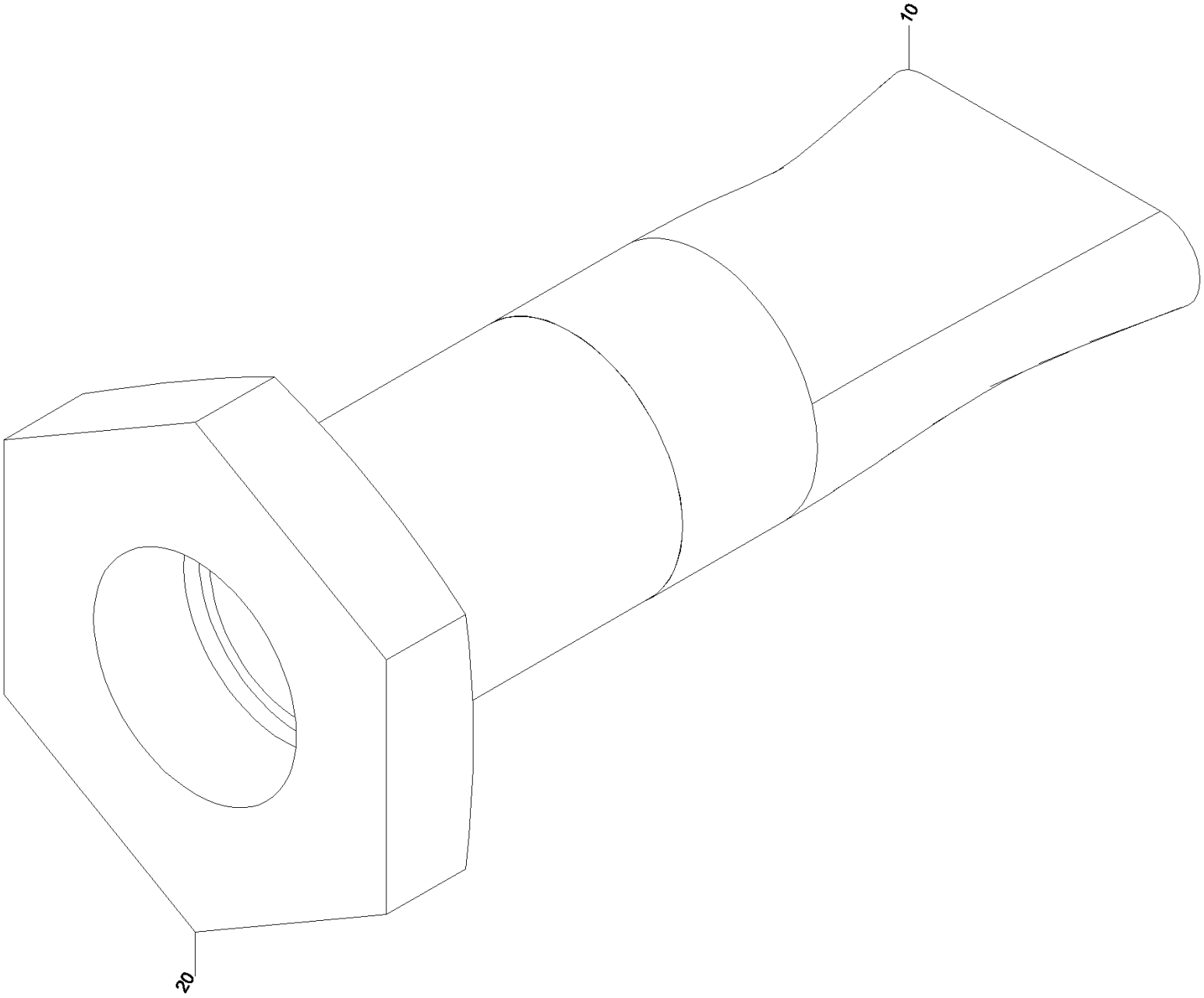
106684412 accessories							
pos	material	document	version	description	quantity	quantity unit	SPC
10	81897205101			pouch	1,000	PC	N
20	96607000007			Allen key	1,000	PC	N
30	96607000013			Allen key	1,000	PC	N

keine Zeichnung vorhanden
no drawing available

106505794 electrical system							
pos	material	document	version	description	quantity	quantity unit	SPC
10	106505791			Electro-particle	1,000	PC	N
30	85463101601			magnetic reed switch	1,000	PC	3
110	85211050080			earthing contact lead	1,000	PC	N
180	106505627			control unit	1,000	PC	N
200	106542356			transformer	1,000	PC	N

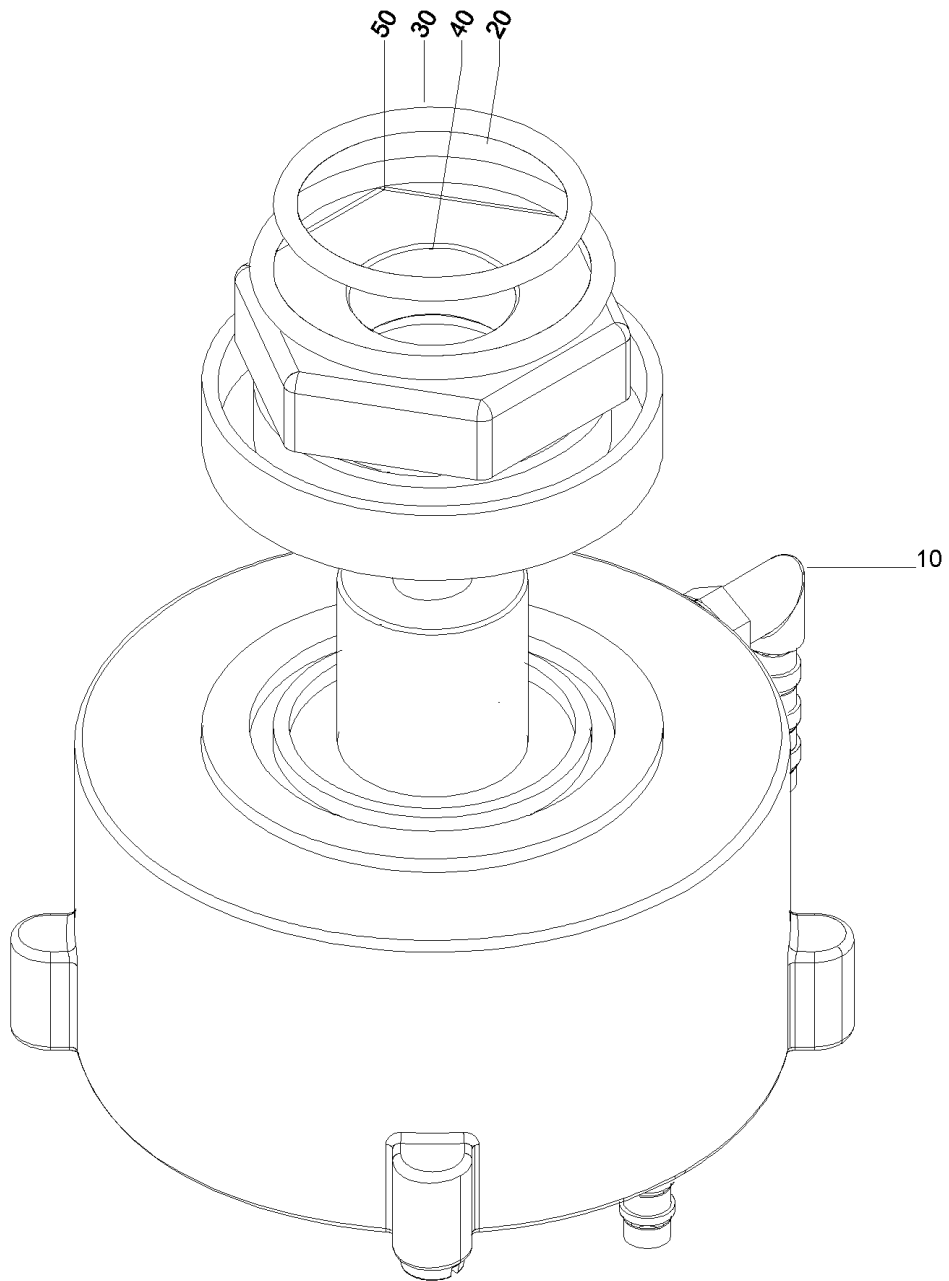


106454308		pneumatics					
pos	material	document	version	description	quantity	quantity unit	SPC
10	106450638	16000201871	0	nozzle	2,000	PC	N
20	106450712			holding block	2,000	PC	N
30	106564645	16000227957	A	cylinder	2,000	PC	N
40	81811120610			fabric hose	4,370	M	9
50	80260112003			3/2 valve	1,000	PC	3
60	81141213180			threaded socket	2,000	PC	9
70	81141213210			threaded socket	2,000	PC	9
80	81141153010			threaded socket	1,000	PC	9
90	81141293162			hose connector	1,000	PC	9
100	81190200621			hose clamp	20,000	PC	9
120	106393587			o-ring	2,000	PC	1
140	75290000500			sealing ring	1,000	PC	1
150	81141293122			hose connector	1,000	PC	9
160	81811130620			spiral hose	0,150	M	9
170	81141293142			hose connector	1,000	PC	9



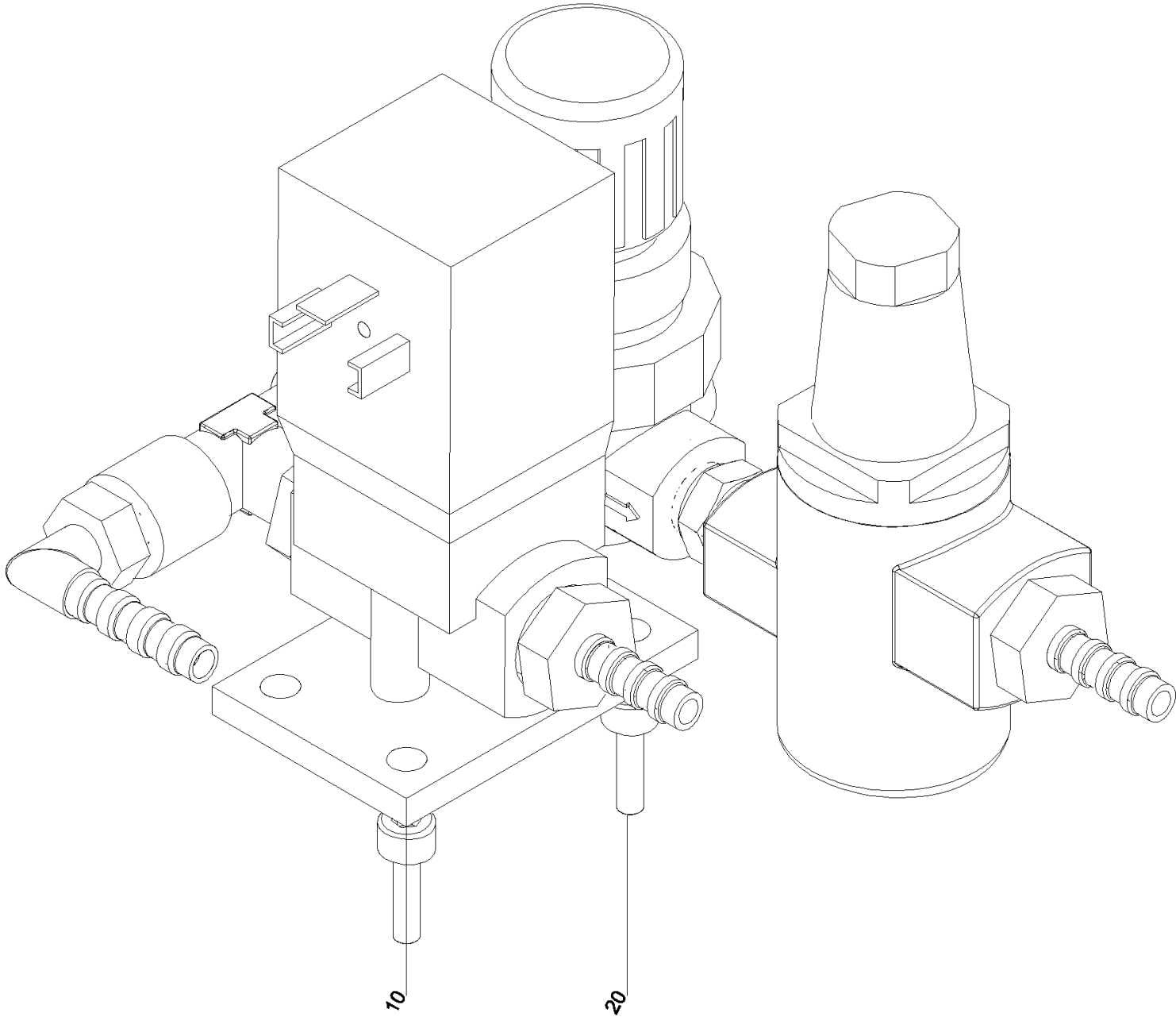
106450638

106450638 nozzle							
pos	material	document	version	description	quantity	quantity unit	SPC
10	106450563			nozzle	1,000	PC	1
20	106243765			nut	1,000	PC	N



106564645

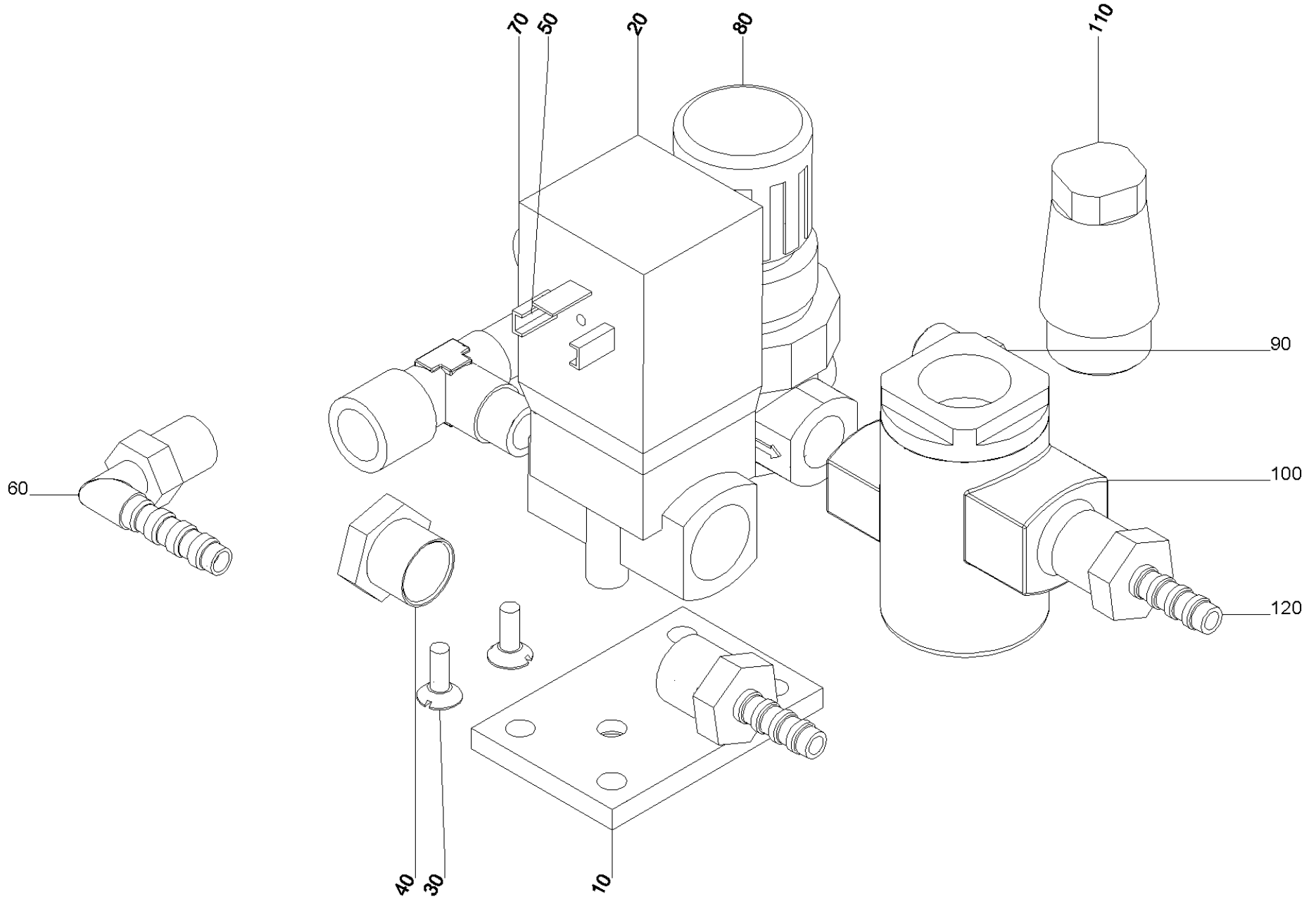
106564645								cylinder	
pos	material	document	version	description	quantity	quantity unit	SPC		
10	106399954			cylinder	1,000	PC	5		
20	106564607			sealing ring	1,000	PC	N		
30	106564608			sealing ring	1,000	PC	N		
40	106564587			spacer	1,000	PC	N		
50	106564582			hexagon nut	1,000	PC	9		



106601647

106601647								valve unit	
pos	material	document	version	description	quantity	quantity unit	SPC		
10	106473252	16000206325	A	valve	1,000	PC	3		
20	75010051102			cylindrical screw	2,000	PC	9		

P200 162028 1030997



106473252

106473252 valve							
pos	material	document	version	description	quantity	quantity unit	SPC
10	11181860004			plate	1,000	PC	N
20	106473198			2/2 valve	1,000	PC	3
30	75021050902			countersunk flat head screw	2,000	PC	9
40	81141807705			reducing nipple	1,000	PC	9
50	81141808402			T-piece	1,000	PC	9
60	81141213211			threaded socket	1,000	PC	9
70	81141808202			L-bracket	1,000	PC	9
80	80278111010	16000010430	0	pressure regulator	1,000	PC	5
90	81141192202			barrel nipple	1,000	PC	9
100	80275111100	101835620	0	rapid vent valve	1,000	PC	3
110	80291114130			sound absorber	1,000	PC	3
120	81141213155			threaded socket	2,000	PC	9

keine Zeichnung vorhanden
no drawing available

80278111010 pressure regulator							
pos	material	document	version	description	quantity	quantity unit	SPC
2	80278111012			angle bracket	1,000	PC	3
3	80278111020			knurled nut	1,000	PC	3

keine Zeichnung vorhanden
no drawing available

8027511100 rapid vent valve							
pos	material	document	version	description	quantity	quantity unit	SPC
1	80275111499			diaphragm	1,000	PC	3
2	80275111402			gasket set	1,000	PC	3