

SERVICE MANUAL

HOT DELI 3/4/5/7 MERCHANDISERS

MODELS

Premium curved and square
Essential curved and square
Self-Service curved and square



HD 5 curved on underframe



HD 5 square on underframe

- NOTICE -

This manual is prepared for the use of trained Service Technicians and should not be used by those not properly qualified. If you have attended a training for this product, you may be qualified to perform all the procedures in this manual.

This manual is not intended to be all encompassing. If you have not attended training for this product, you should read, in its entirety, the repair procedure you wish to perform to determine if you have the necessary tools, instruments and skills required to perform the procedure. Procedures for which you do not have the necessary tools, instruments and skills should be performed by a trained technician.

Reproduction or other use of this Manual, without the express written consent of Fri-Jado, is prohibited.

EMPTY PAGE

Versions		
Version	Issue date dd/mm/yy	Remarks
06/2014	01/06/2014	Textual changes. Model updating.
05/2015	01/05/2015	Curved models adapted. Square models added.
03/2017	01/03/2017	New ERC 211 thermostat added. New blower added. New electric diagrams. Various updates.
04/2017	08/05/2017	Pos 1-21 added in exploded views

INDEX

Index	4
General technical data	6
Technical data	6
Programming instructions	7
Display Essential and Self Service model	7
Display Essential and Self Service model till serial number 100080408.....	8
Display Premium model.....	9
Display Humidified model (Continued).....	10
Removal and replacement of parts	11
Panels left and right back side.....	11
Fuse and fuse holder	11
Contactor.....	12
Water level control, electronic.....	12
Blower, left hand side.....	12
Heating element, left hand side	13
PT 1000 sensor	13
Ring core transformer 230-208V.....	13
Water level sensor	14
Heating element water tray.....	14
I/O Board	15
Display board	15
Keypad.....	16
Thermostat Danfoss EKC 102A or ERC 211.....	17
Sensor thermostat.....	18
Tumble switch light and heating	18
Blower right hand side	19
Heating element right hand side.....	19
Front grip magnets curved model	20
Curved glass	20
Curved glass (alternative procedure when torques key is not available)	21
Gas spring curved model	22
Lamp holder	22
Ceramic element.....	23
Blower in top	24
Profile sliding door in top	24
Gas spring square model.....	25
Front glass door square model	26
Protection profile in front (bumper)	27
Side plate left and right, front side.....	27
Drain.....	27
Changing Danfoss EKC to ERC thermostat.....	28

Electrical tests and service procedures	30
PT 1000 sensor test Premium (Humidified version)	30
Heating element test.....	31
Adjusting Danfoss ERC 211 thermostat.....	32
Danfoss ERC 211 Settings	33
Adjusting Danfoss EKC 102A thermostat till serial number 100080408.....	34
Danfoss EKC 102A Settings till serial number 100080408	35
Product temperature probe settings Danfoss ERC 211	36
Product Temperature probe settings Danfoss EKC 102A	37
till serial number 100080408.....	37
Control location Essential (full serve) and self serve	38
Control location Essential and self serve till serial number 100080408	39
Control panel Premium (humidified)	39
Troubleshooting	40
Hot Deli 3/4/5/7 Essential (Full serve) & self serve	40
Hot Deli 3/4/5/7 Premium: Humidified/automatic water filling	41
Exploded views & partlists	42
Hot Deli 3-4-5 Self Service Assembly drawing.....	42
Hot Deli 3-4-5 Self Service Components drawing	46
Hot Deli 3-4-5 Essential (Full Service) Assembly drawing	48
Hot Deli 3-4-5 Essential (Full Service) Component drawing.....	52
Hot Deli 3-4-5 Premium (Humidified) Assembly drawing	54
Hot Deli 3-4-5 Premium (Humidified) Components drawing.....	58
Exploded views & partlists	62
Hot Deli 3-4-5 Self Service Square Assembly drawing	62
Hot Deli 3-4-5 Self Service Square Components drawing	66
Hot Deli 3-4-5 Essential Square (Full Service) Assembly drawing	68
Hot Deli 3-4-5 Essential Square (Full Service) Component drawing	72
Hot Deli 3-4-5 Premium Square (Humidified) Assembly drawing.....	74
Hot Deli 3-4-5 Premium Square (Humidified) Components drawing	78
Electrical diagrams	82
Circuit diagram HD 3 Essential (Full service) & self service	82
Circuit diagram HD 3 Essential (Full service) & self service till serial number 100080408.....	83
Wiring diagram HD 3 Essential (Full service) & self service	84
Wiring diagram HD 3 Essential (Full service) & self service till serial nr. 100080408.....	85
Circuit diagram HD 3 Premium (Humidified)	86
Wiring diagram HD 3 Premium (Humidified)	87
Circuit diagram HD 3 Premium (Humidified), automatic water filling	88
Wiring diagram HD 3 Premium (Humidified), automatic water filling.....	89
Circuit diagram HD 3 Premium (Humidified) with probe	90
Circuit diagram HD 3 Premium (Humidified) with probe, autom. water filling.....	91
Circuit diagram HD 4 Essential (Full service) & self service.....	92
Circuit diagram HD 4 Essential (Full service) & self service till serial number 100080408	93
Wiring diagram HD 4 Essential (Full service) & self service	94
Wiring diagram HD 4 Essential (Full service) & self service till serial number 100080408.....	95
Circuit diagram HD 4 Premium (Humidified)	96
Wiring diagram HD 4 Premium (Humidified)	97
Circuit diagram HD 4 Premium (Humidified), automatic water filling	98
Wiring diagram HD 4 Premium (Humidified), automatic water filling.....	99
Circuit diagram HD 4 Premium (Humidified) with probe	100
Circuit diagram HD 4 Premium (Humidified) with probe, autom. water filling.....	101

Circuit diagram HD 5 Essential (Full service) & self service.....	102
Circuit diagram HD 5 Essential (Full service) & self service till serial number 100080408	103
Wiring diagram HD 5 Essential (Full service) & self service	104
Wiring diagram HD 5 Essential (Full service) & self service till serial number 100080408.....	105
Circuit diagram HD 5 Premium (Humidified)	106
Wiring diagram HD 5 Premium (Humidified)	107
Circuit diagram HD 5 Premium (Humidified), automatic water filling	108
Wiring diagram HD 5 Premium (Humidified), automatic water filling.....	109
Circuit diagram HD 5 Premium (Humidified) with probe	110
Circuit diagram HD 5 Premium (Humidified) with probe, autom. water filling.....	111
Circuit diagram HD 7 Essential (Full service)	112
Wiring diagram HD 7 Essential (Full service).....	113
Circuit diagram HD 7 Premium (Humidified)	114
Wiring diagram HD 7 Premium (Humidified)	115
Circuit diagram HD 7 Premium (Humidified), automatic water filling	116
Wiring diagram HD 7 Premium (Humidified), automatic water filling.....	117
Circuit diagram HD 7 Premium (Humidified) with probe	118
Circuit diagram HD 7 Premium (Humidified) with probe, autom. water filling.....	119

EMPTY PAGE

GENERAL TECHNICAL DATA

This manual covers the Hot Deli Merchandisers in the models curved and square. The Merchandisers are available in 4 sizes to build-in into an existing counter. Merchandisers will also be delivered on an underframe.

The Merchandisers come in 3 models.

- Premium = Full service with humidification.
- Essential = Full service.
- Self-Serve = Self service.

All of the information, illustrations and specifications contained in this manual are based on the latest product information available at the time of printing.

TECHNICAL DATA

Type	HD 3	HD 4	HD 5	HD 7
Power (W) Premium	4600	4900	5100	8600
Power (W) Essential	3700	4000	4200	7700
Power (W) Self Service	3700	4000	4200	-
Fuses needed with power connection 400V, 3N~50...60Hz (3 phases with zero)	3x 16 A	3x 16 A	3x 16 A	3x 16 A
Fuses needed with power connection 230V, 3~50...60Hz (3 phases without zero)	3x 16 A	3x 16 A	3x 16 A	3x 20 A
Fuses needed with power connection 230V, 1N~50...60Hz (1 phase with zero)	32 A	32 A	32 A	50 A
Standard plug from factory CEE-form 5-pole	16 A	16 A	16 A	16 A
Net weight Premium (kg)	157	210	240	272
Net weight Essential (kg)	142	195	225	257
Net weight Self Service (kg)	136	188	217	-
Gross weight Premium (kg)	212	275	315	355
Gross weight Essential (kg)	197	260	300	340
Gross weight Self Service (kg)	191	253	292	-
Height (mm)	960	960	960	960
Width (mm)	1086	1419	1752	2505
Depth (mm)	1058	1058	1058	1058

Tools

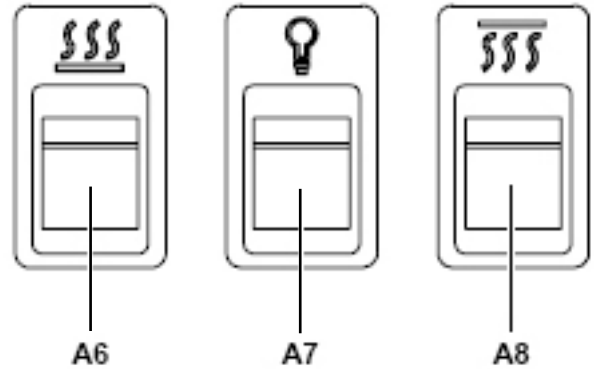
- Standard set of tools.
- Metric wrenches, sockets and hex socket key wrenches.
- Multi meter and AC current clamp meter.
- Temperature tester.
- Insulation value tester (Megger).
- Field Service Grounding Kit.

PROGRAMMING INSTRUCTIONS

DISPLAY ESSENTIAL AND SELF SERVICE MODEL

Switch on

1. Switch on the heater with switch A6.
2. Switch on the lighting with switch A7.
3. Also switch on the IR emitters with switch A8 if required.



Switch off

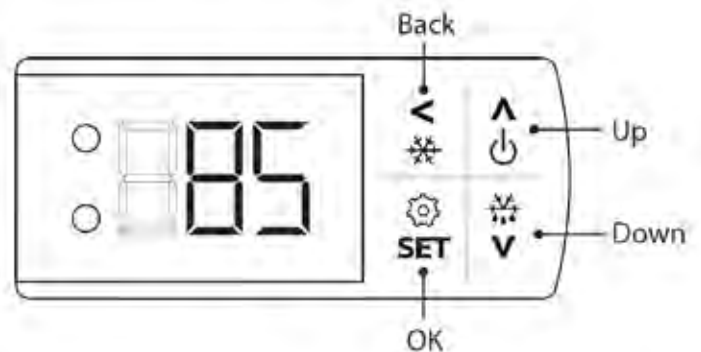
1. Switch off the IR emitter with switch A8.
2. Switch off the lighting with switch A7.
3. Switch off the heating with switch A6.

Check set temperature

The temperature in the warmer is shown on the display during use.

1. Press SET key.





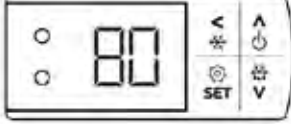


The set temperature will be shown on the display. The measured temperature in the warmer will again be shown after 10 seconds.



Adjusting Danfoss ERC211 thermostat

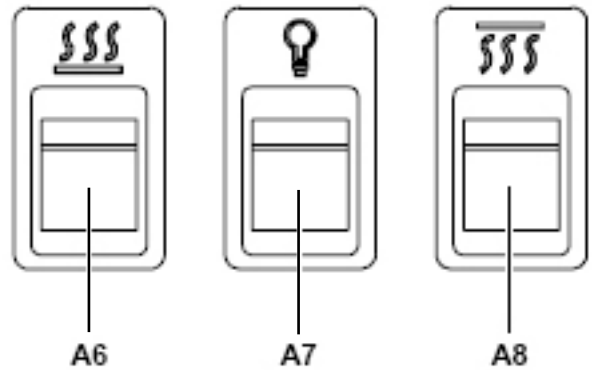
Changing temperature setpoint

Example screens

<p>1. Press  to access setpoint mode</p>	
<p>2. Change value with  or </p>	
<p>3. Press  to confirm</p>	
<p>When no key is pressed after last confirmation, the system goes back to normal operation after 10 seconds</p>	

DISPLAY ESSENTIAL AND SELF SERVICE MODEL TILL SERIAL NUMBER 100080408
Switch on

1. Switch on the heater with switch A6.
2. Switch on the lighting with switch A7.
3. Also switch on the IR emitters with switch A8 if required.


Switch off

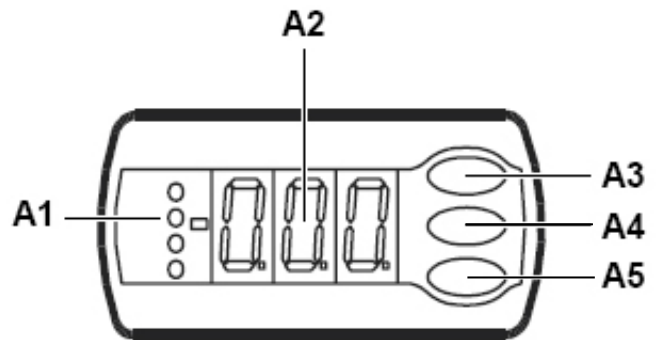
1. Switch off the IR emitter with switch A8.
2. Switch off the lighting with switch A7.
3. Switch off the heating with switch A6.

Check set temperature

The temperature in the warmer is shown on display A2 during use.

1. Press centre key A4.

The set temperature will be shown on the display. The measured temperature in the warmer will again be shown after 20 seconds.


Set the temperature

1. Press centre key A4. The set value will be shown on the display.
2. Set the required temperature using the top (A3) and bottom (A5) keys.
3. Press centre key A4 to save.

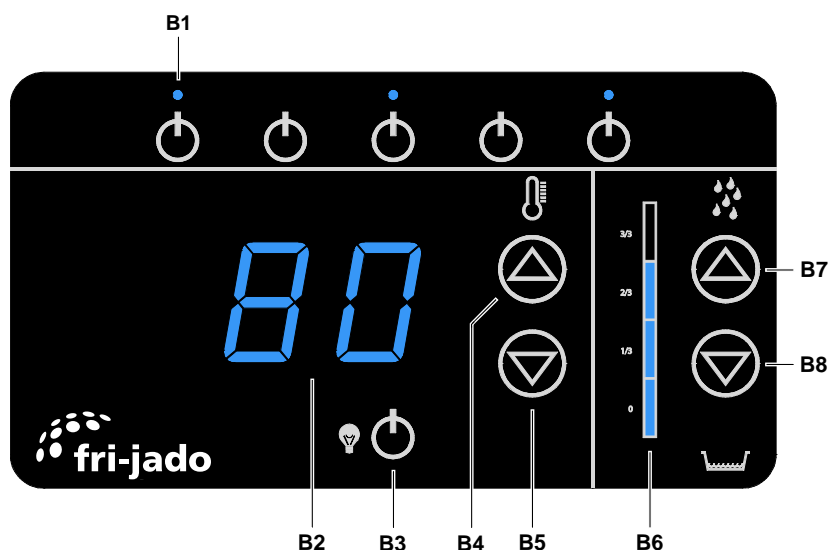
DISPLAY PREMIUM MODEL

Switch on

1. Keep keys B3 and B4 pressed simultaneously for 2 seconds.
2. Switch on the lighting with key B3.
3. Switch on the required IR emitters with keys B1.

Switch off

1. Keep keys B3 and B5 pressed simultaneously for 2 seconds.



Check set temperature

The temperature in the warmer is shown on the display B2 during use.

1. Press key B4 or B5 for a short time.

The set temperature will be shown on the display. The measured temperature in the warmer will be shown again after 10 seconds.

Set the temperature

The temperature is set on 80°C and limited between 30°C and 90°C as standard.

1. Press key B4 or B5 for a short time. The set value will be shown on the display with a dot behind the value.
2. Wait 5 seconds; you cannot immediately change the setting.
3. Set the required temperature with keys B4 and B5.
4. Wait until the display jumps back to the measured temperature in the warmer. The adjustment has now been saved.

Topping up the steam tray

You hear a signal as soon as the steam tray requires topping up. Humidification will be automatically switched off.

1. Press key B7 or B8 to stop the beep signal.
2. Fill the steam tray by three quarters (approx. 6,5 L.) with hot water to prevent large temperature differences.

Humidification will restart automatically based on the previously set adjustment after topping up. You do not have to set it again.

DISPLAY HUMIDIFIED MODEL (CONTINUED)

Set the humidifier

Water consumption will amount to approx. 1.2 liter per hour in relation to the maximum setting. Indication bar B6 indicates the humidification degree.

- 3/3, humidification 100%.
 - 2/3, humidification 67%.
 - 1/3, humidification 33%.
 - 0, humidification switched off. The bottom segment of the indication bar will flash every 10 seconds.
1. Set the required humidification level with the keys B7 and B8.

Set the IR emitters

1. Press keys B1 for a short time to switch on or off the related IR emitter. The indication light on top of the key will light up if the emitter is switched on.

Set the Offset

With the offset you only change the temperature indication on the display. The set point will not be changed.

1. Press both temperature keys (B4 and B5) for 5 sec.
2. The offset temperature now appears on the screen with a flashing dot behind the value.
3. Use the temperature keys B4 and B5 to change the offset temperature.
4. After 5 seconds of no keys being pressed the system will return to normal operation.

REMOVAL AND REPLACEMENT OF PARTS

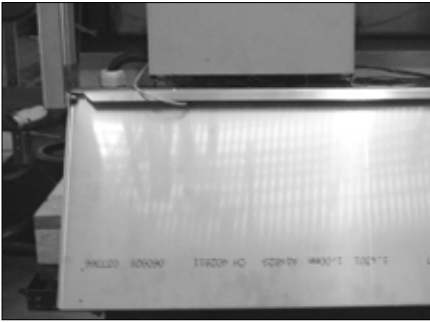
WARNING: Disconnect the electrical power to the machine at the main circuit box. Place a tag on the circuit box indicating the circuit is being serviced.

PANELS LEFT AND RIGHT BACK SIDE

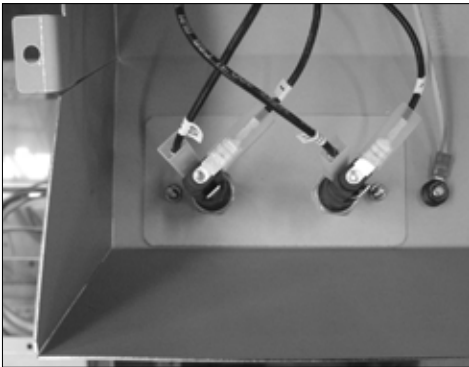


1. Remove the socket head screws that secure the panel to the frame.
2. Turn panel towards yourself.
3. Reverse the procedure to install.

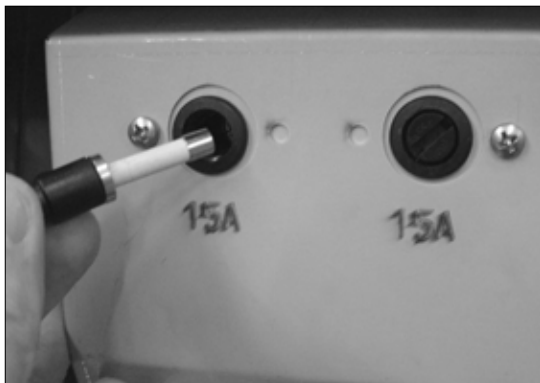
Note: The panels can be lifted out from the hinges. First lift out the hinge on the middle panel.



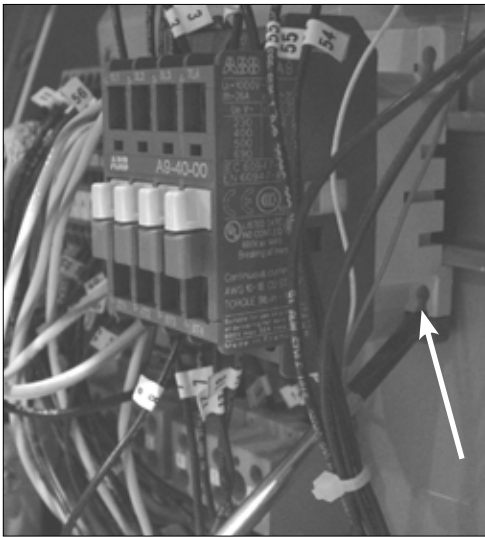
FUSE AND FUSE HOLDER



1. Remove the left side panel according prior procedure.
2. Remove the screws that secure the cover plate and turn cover plate towards yourself.
3. Disconnect the wiring from the fuse housing.
4. Remove the flat nut that secures the housing of the fuse and remove the housing.
5. Reverse the procedure to install.

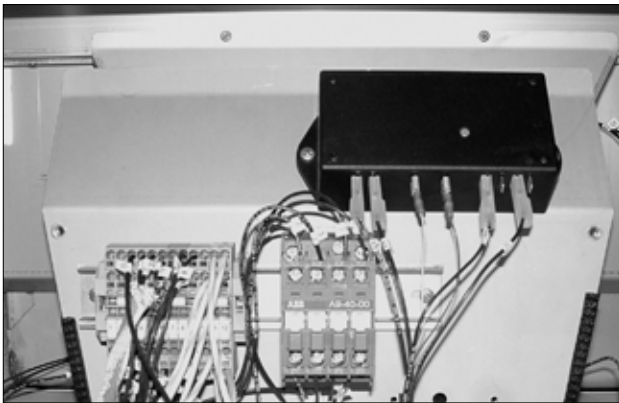


CONTACTOR



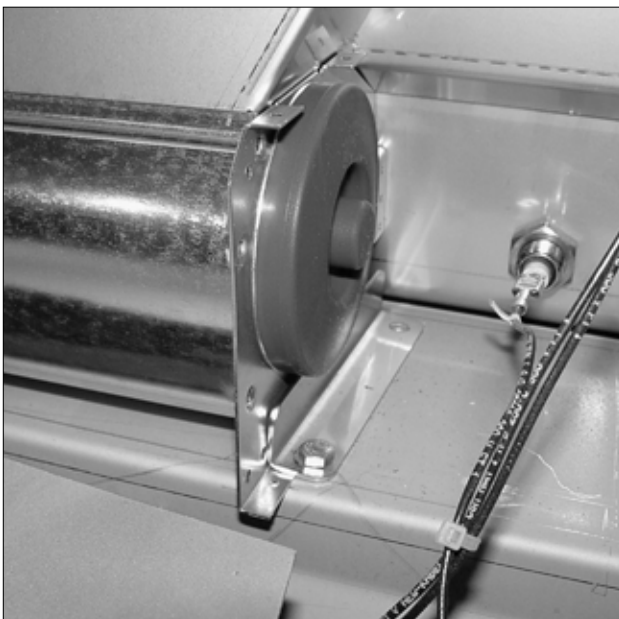
1. Remove the left side panel and the cover plate according prior procedure.
2. Disconnect the lead wires to the contactor.
3. Push the locking tab down with a screwdriver (see arrow) and lift out to remove the contactor from the mounting bracket.
4. Reverse the procedure to install.

WATER LEVEL CONTROL, ELECTRONIC



1. Remove the left side panel and the cover plate according prior procedure.
2. Disconnect the wiring of the electronic control.
3. Remove the 2 screws that secure the control and remove the control.
4. Reverse the procedure to install.

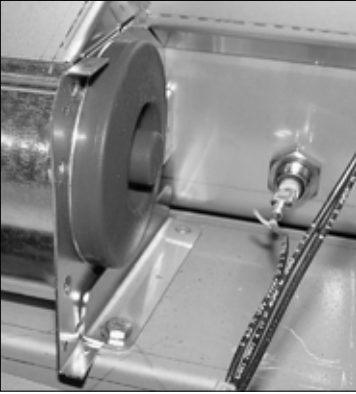
BLOWER, LEFT HAND SIDE



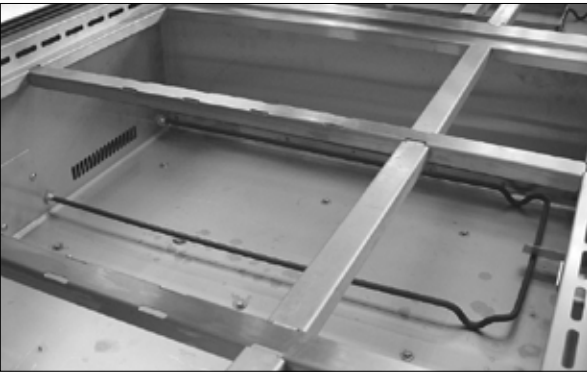
1. Remove the left side panel and the cover plate according prior procedure.
2. Remove the bolt that secures the electric panel and remove this panel.
3. Cut the wiring of the blower.
4. Remove the bolts that secure the clamping profiles on the blower and remove the profiles.
5. Remove the blower by sliding this towards yourself.
6. Reverse the procedure to install.

Note: you have to connect the wiring again with a butt splice.

HEATING ELEMENT, LEFT HAND SIDE



1. Remove the left side panel and the cover plate according prior procedure.
2. Disconnect the wiring from the element.
3. Remove the pans and frame out of the cabinet.
4. Remove the 2 nuts and rings that secure the element and remove the element.
5. Reverse the procedure to install.



PT 1000 SENSOR



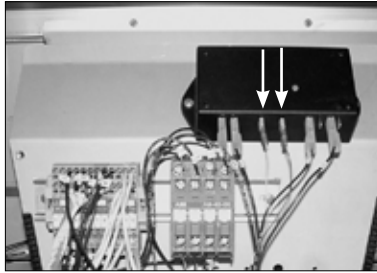
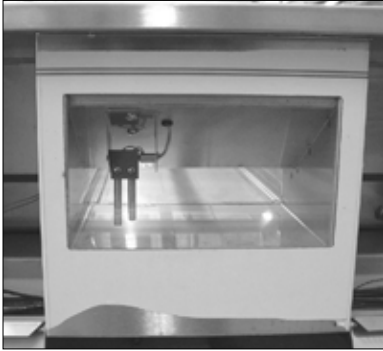
1. Remove the left side panel and the cover plate according prior procedure.
2. Remove the bolt that secures the sensor and remove the sensor.
3. Disconnect the wiring.
4. Reverse the procedure to install.

RING CORE TRANSFORMER 230-208V



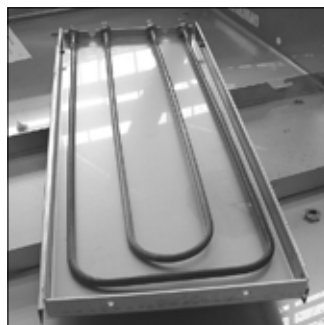
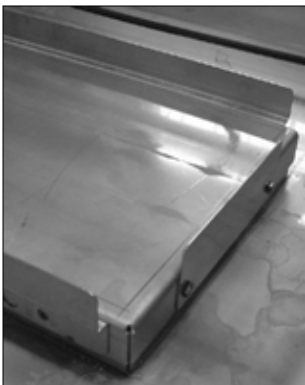
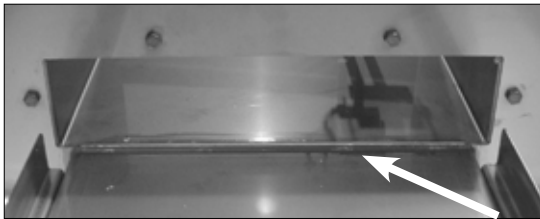
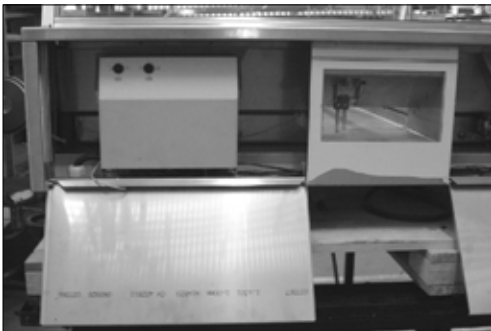
1. Remove the left side panel and the cover plate according prior procedure.
2. Remove the wiring of the transformer.
3. Remove the screw that secures the transformer and remove the transformer.
4. Reverse the procedure to install.

WATER LEVEL SENSOR



1. Remove the left side panel and the cover plate according prior procedure.
2. Remove the water tray door and the water tray.
3. Disconnect the wiring of the sensor on the electronic water level control (2 middle pins).
4. Remove the 2 nuts and screws that secure the sensor bracket and remove the sensor.
5. Reverse the procedure to install.

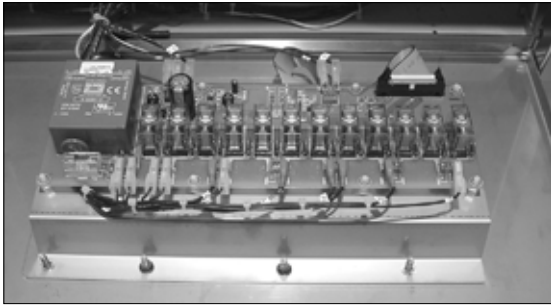
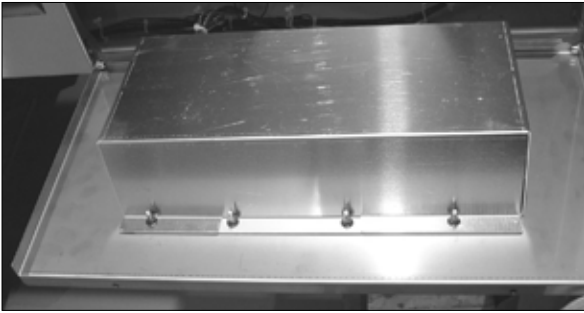
HEATING ELEMENT WATER TRAY



1. Remove the water tray door, the water tray and the pans and frame inside the cabinet.
2. Remove the left and right hand panel on the backside according prior procedures.
3. Disconnect the wiring from the elements.
4. Cut the sealant between cover housing and the inside back plate in the cabinet see arrow).
5. Remove the 2 bolts that secure the cover housing of the elements.
6. Slide the cover housing towards customer side and lift it out.
7. Remove the nuts and rings that secure the heating elements and remove the element(s).
8. Reverse the procedure to install.

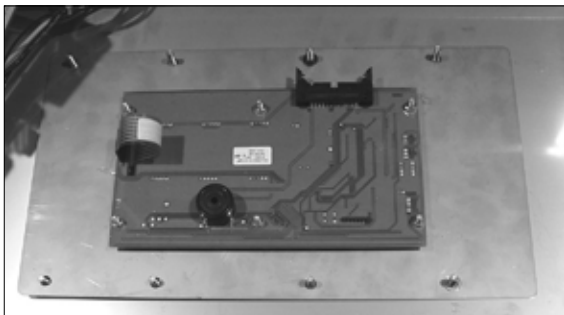
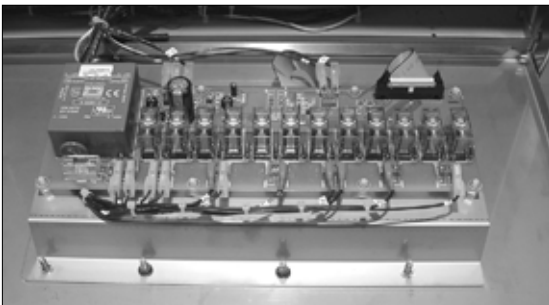
Note: Apply sealant between cover housing and the inside back plate in the cabinet.

I/O BOARD



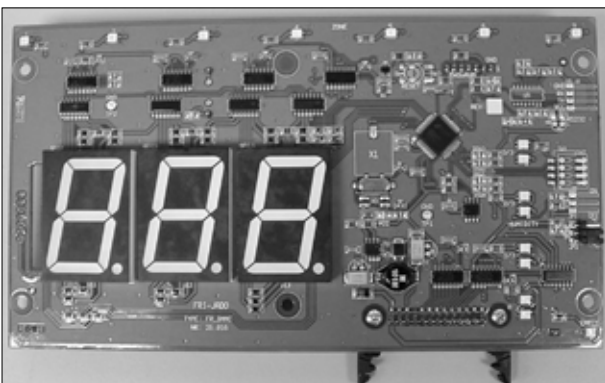
1. Remove the right side panel according prior procedure.
2. Remove the nuts that secure the cover plate and remove the cover plate.
3. Disconnect all wiring and the flat cable.
4. Remove the board from the clips by squeezing the clips together.
5. Reverse the procedure to install.

DISPLAY BOARD



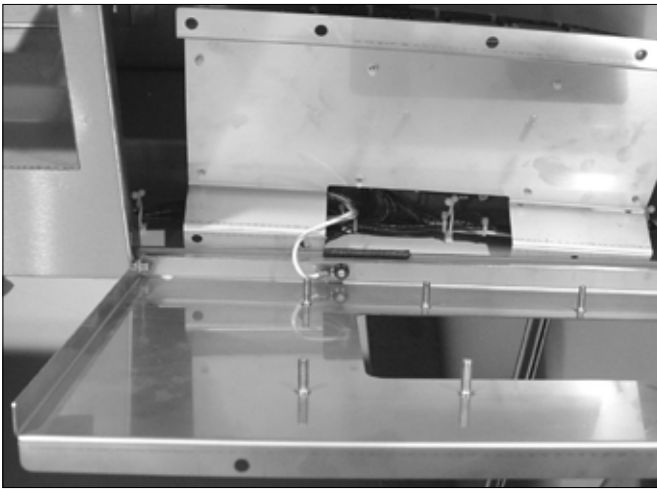
1. Remove the right side panel according prior procedure.
2. Remove the nuts that secure the cover plate and remove this plate.
3. Remove the nuts that secure the mounting plate and remove this plate.
4. Disconnect the grey flat cable and the flat cable from the keypad.
5. Remove the nuts that secure the board and remove the board.
6. Reverse the procedure to install.

Note: When installing a new board, ensure that the jumper on the new board is set the same as on the old board (°C/°F).



jumper

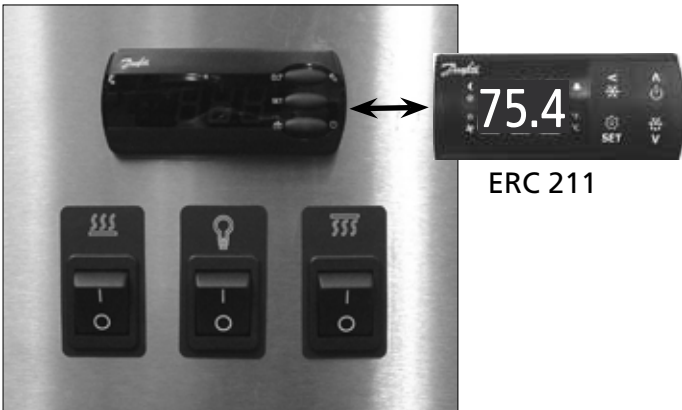
KEYPAD



1. Remove the right side panel according prior procedure.
2. Remove the nuts that secure the cover plate and remove this plate.
3. Remove the nuts that secure the mounting plate and remove this plate.
4. Remove the grey flat cable and the flat cable from the keypad.
5. Remove the nuts that secure the display board and remove the board.
6. Remove the nut that secures the earth cable on the panel and remove the cable.
7. Remove the back panel by lifting it out of the hinges.
8. Remove the nut that secures the back plate of the keypad and remove this plate.
9. Remove the keypad and clean the surface with a degreaser.
10. Fasten the back plate back on the panel and apply the keypad.
11. Apply acid free sealant around the green flat cable.
12. Reverse the procedure to install.

Note: It is also possible to order a complete back plate with keypad.

THERMOSTAT DANFOSS ERC 102A OR ERC 211

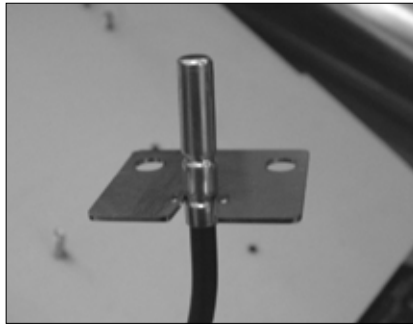


1. Remove the left and right hand panel according to prior procedures.
2. Remove the left and right back panel by lifting them out of the hinges.
3. Remove the socket screws that secure the middle panel and turn the panel towards yourself.
4. Loosen the blocking clips on the sides of the thermostat and remove the thermostat.
5. Disconnect the wiring.
6. Reverse the procedure to install.

Note: Set all parameters in the new thermostat.



SENSOR THERMOSTAT



1. Remove the middle panel according prior procedures.
2. Disconnect the wiring of the sensor on the thermostat.
3. Remove the socket head screws that secure the sensor holder and remove the holder.
4. Remove sensor from holder.
5. Reverse the procedure to install.

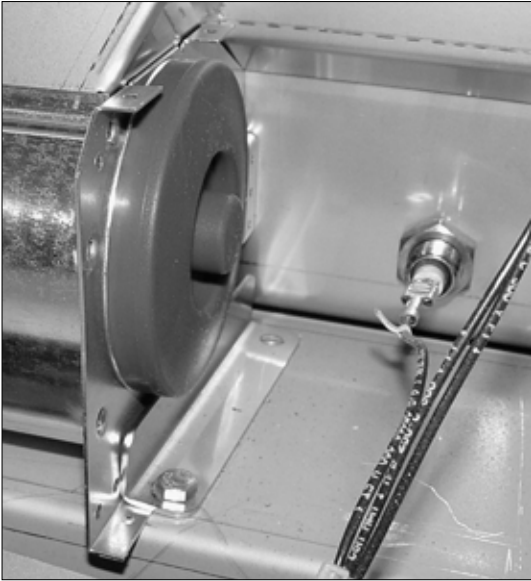
Note: The place of the sensor is the same for the Essential and self service models.

TUMBLE SWITCH LIGHT AND HEATING



1. Remove the middle panel according prior procedures.
2. Disconnect the wiring.
3. Remove the switch by pushing the clamps on both sides.
4. Reverse the procedure to install.

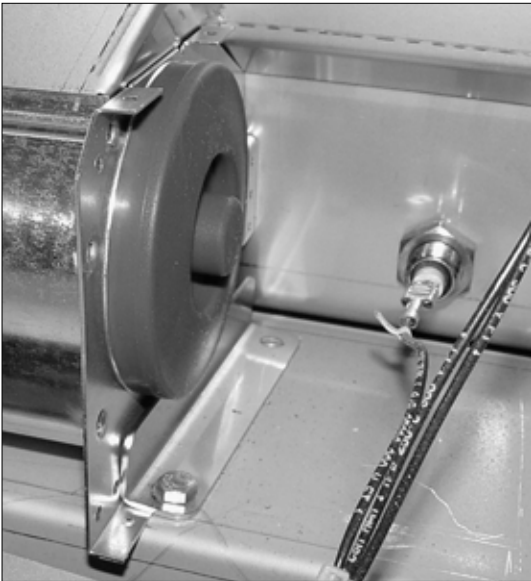
BLOWER RIGHT HAND SIDE



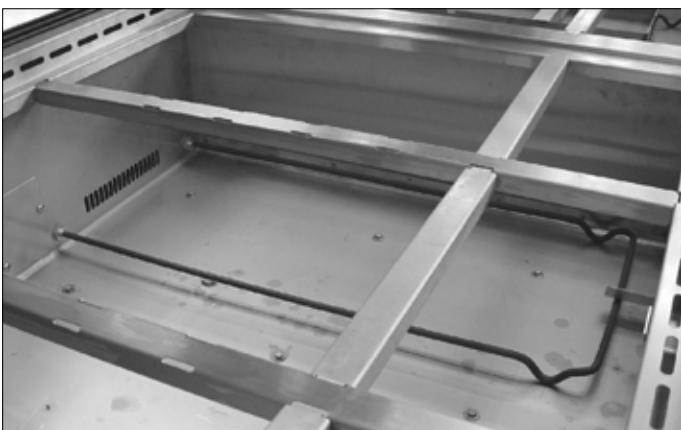
1. Remove the right side panel according prior procedure.
2. Cut the wiring of the blower.
3. Remove the bolts that secure the clamping profiles on the blower and remove the profiles.
4. Remove the blower by sliding this towards yourself.
5. Reverse the procedure to install.

Note: you have to connect the wiring again with a butt splice.

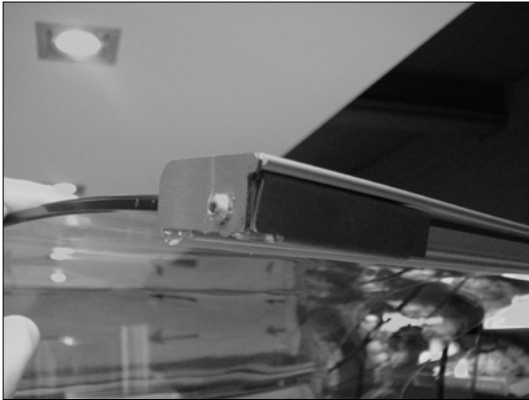
HEATING ELEMENT RIGHT HAND SIDE



1. Remove the right side panel according prior procedure.
2. Disconnect the wiring from the element.
3. Remove the pans and frame out of the cabinet.
4. Remove the 2 nuts and rings that secure the element and remove the element.
5. Reverse the procedure to install.



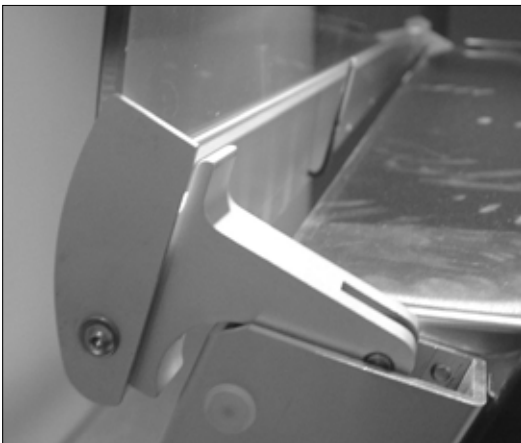
FRONT GRIP MAGNETS CURVED MODEL



1. Remove the screw securing the side plate of the grip.
2. Remove the magnet holder by sliding it outwards, a controlled knock with a hammer might be necessary to remove the magnet holder.
3. Reverse procedure to install

Note: the appliance has two separate sets of magnet holders, another set is located inside the front profile.

CURVED GLASS



1. Turn the curved glass to the top position.
2. Remove the cover plates on the mounting profile (if necessary).
3. Loosen the adjusting screws that secure the glass with the special torques key TX15.
4. Remove the curved glass.
5. Remove the frontgrip magnets according to prior procedure
6. Place the new glass with the plastic protection profile.
7. Reverse the procedure to install.

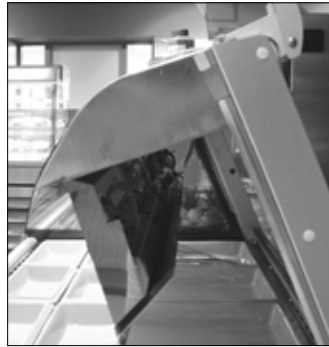
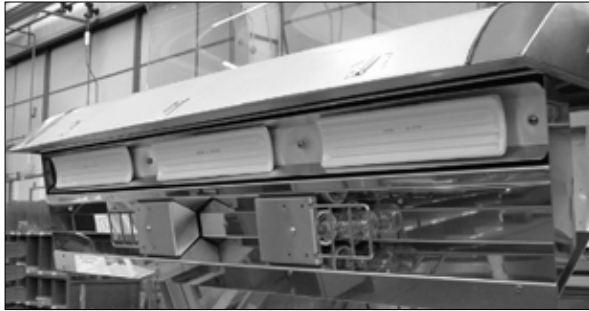
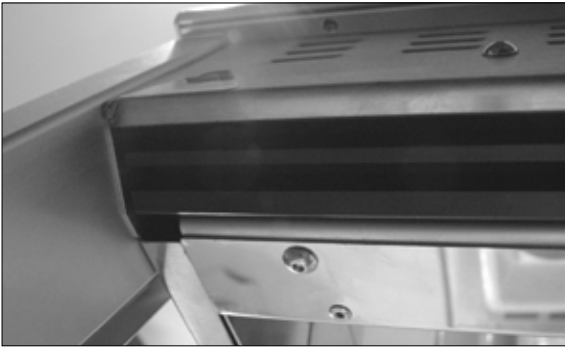


Note 1: The cover plates are fixed with high temperature resistant sealant.

Note 2: Special torques key (TX15) is supplied with the delivery of a new curved glass.



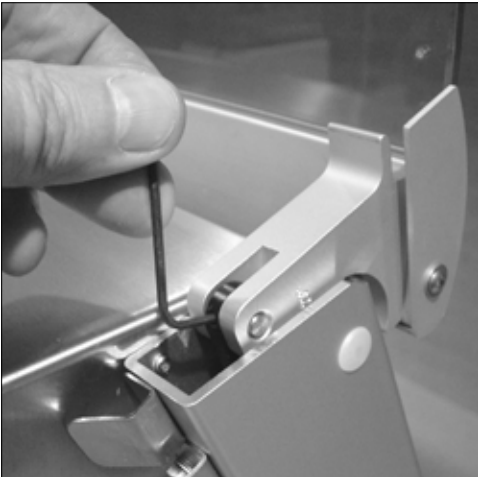
CURVED GLASS (ALTERNATIVE PROCEDURE WHEN TORQUES KEY IS NOT AVAILABLE)



1. Turn curved glass to top position.
2. Remove the socket head screws that secure the reflector and turn the reflector downwards.
3. Remove on left and right top side the upper bolts that secure the light fixture to the console (see arrow).
4. Loosen the lower bolts on left and right top side.
5. Turn the light fixture downwards, to create extra space for a regular allen key or torques key.
6. Loosen the adjusting screws that secure the glass.
7. Remove the curved glass.
8. Place the new glass with the plastic protection profile.
9. Reverse the procedure to install.

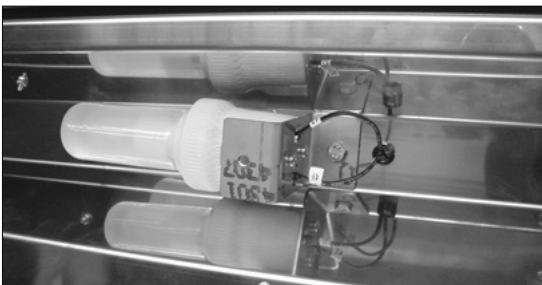
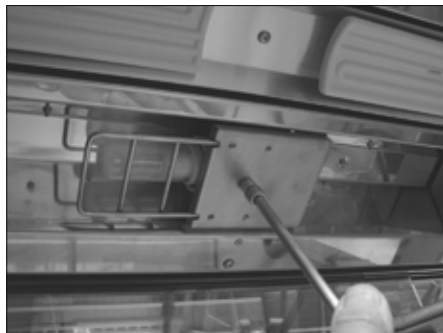
Note: When replacing the curved glass also transfer the frontgrip magnets from the old glass to the new glass.

GAS SPRING CURVED MODEL



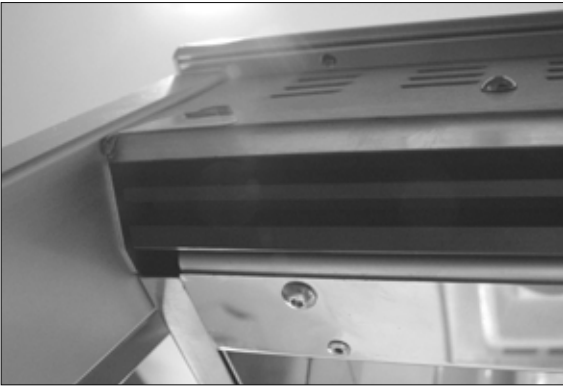
1. Turn the curved glass to the top position.
2. Loosen the adjusting screw on the gas spring.
3. Remove the pin out of the gas spring. Be aware of supporting the glass.
4. Remove the gas spring.
5. Reverse the procedure to install.

LAMP HOLDER

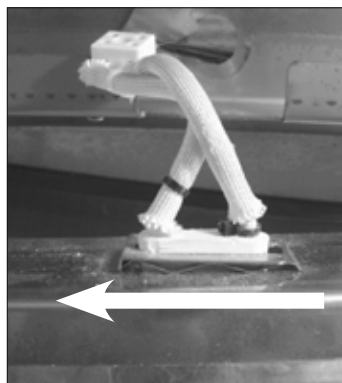
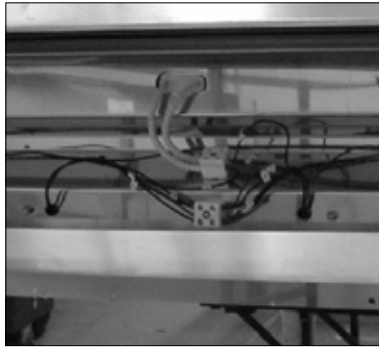


1. Remove the socket screws that secure the reflector and turn the reflector downwards.
2. Remove the bolt, or wingscrew, that secures the protection of the lamp and remove the protection.
3. Remove the bolt and nut that secures the bracket on the lamp holder and remove the bracket.
4. Disconnect the wiring.
5. Remove the screws that secure the lamp holder and remove the holder.
6. Reverse the procedure to install.

CERAMIC ELEMENT



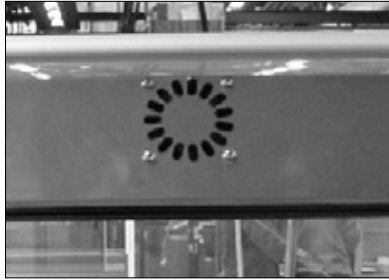
1. Remove the socket head screws that secure the reflector and turn the reflector downwards.
2. Remove the wiring from the element.
3. Remove the socket head screws and nuts that secure the mounting plate of the elements and lower this plate.
4. Remove the ceramic element from the plate by sliding off the clip.
5. Reverse the procedure to install.



BLOWER IN TOP

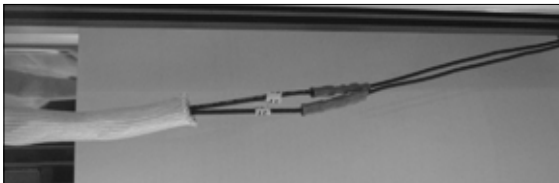


1. Remove the socket head screws that secure the reflector and turn the reflector downwards.
2. Slide the gasket from the wiring and cut the wiring of the blower.
3. Remove the 4 socket head screws that secure the blower and remove the blower.
4. Reverse the procedure to install.



Note 1: You have to tap 4x M5 thread in the new blower housing.

Note 2: You have to connect the wiring again with a butt splice and pull the heat resistant sleeve over the wiring.



PROFILE SLIDING DOOR IN TOP



1. Remove the sliding doors.
2. Remove the socket head screws that secure the clamping profile and remove this profile together with the profile of the sliding door.
3. Reverse the procedure to install.

GAS SPRING SQUARE MODEL



1. Turn the front glass to the top position.
2. Remove the screw on the bottom side of the gas spring.
3. Remove the pin out of the gas spring. Be aware of supporting the glass.
4. Loosen the adjusting screw on the top side of the gas spring.
5. Remove the pin out of the gas spring.
6. Remove the gas spring.
7. Reverse the procedure to install.



FRONT GLASS DOOR SQUARE MODEL



1. Turn the front glass to the top position.
2. Remove the screw on the bottom side of the gas spring.
3. Remove the pin out of the gas spring. Be aware of supporting the glass.
4. Remove the 2 screws on the top side and remove the gas spring.
5. Also remove the gas spring on the other side.
6. Take out the front glass and place this on a table.
7. Loosen the screws that secure the front glass and remove the glass.
8. Reverse the procedure to install.

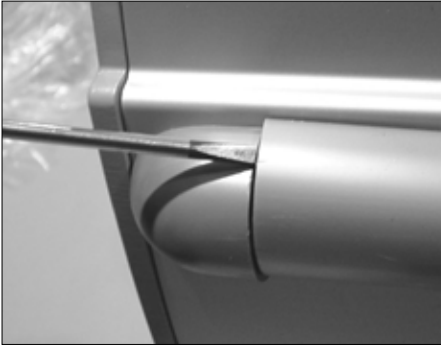


Note 1: It is advisable to replace the glass door with the assist of a second person.

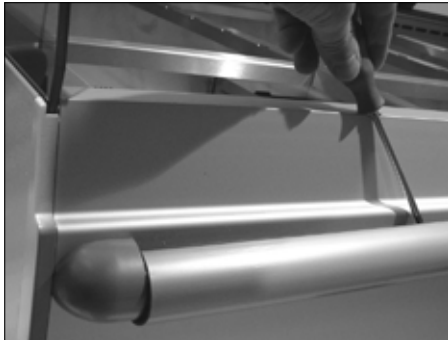
Note 2: Be sure that the black gasket is between the glass and alluminium profile.



PROTECTION PROFILE IN FRONT (BUMPER)



1. Remove the profile with a screw driver. Slide screw driver over the length to remove the profile.
2. Install new profile.



SIDE PLATE LEFT AND RIGHT, FRONT SIDE



1. Remove the side glass.
2. Remove the bolts on the bottom side that secure the side plate and remove this plate.
3. Loosen the bolts and rivets on the front bottom side that secure the aluminium front and remove this front.
4. Remove the side plate.
5. Reverse the procedure to install.

DRAIN

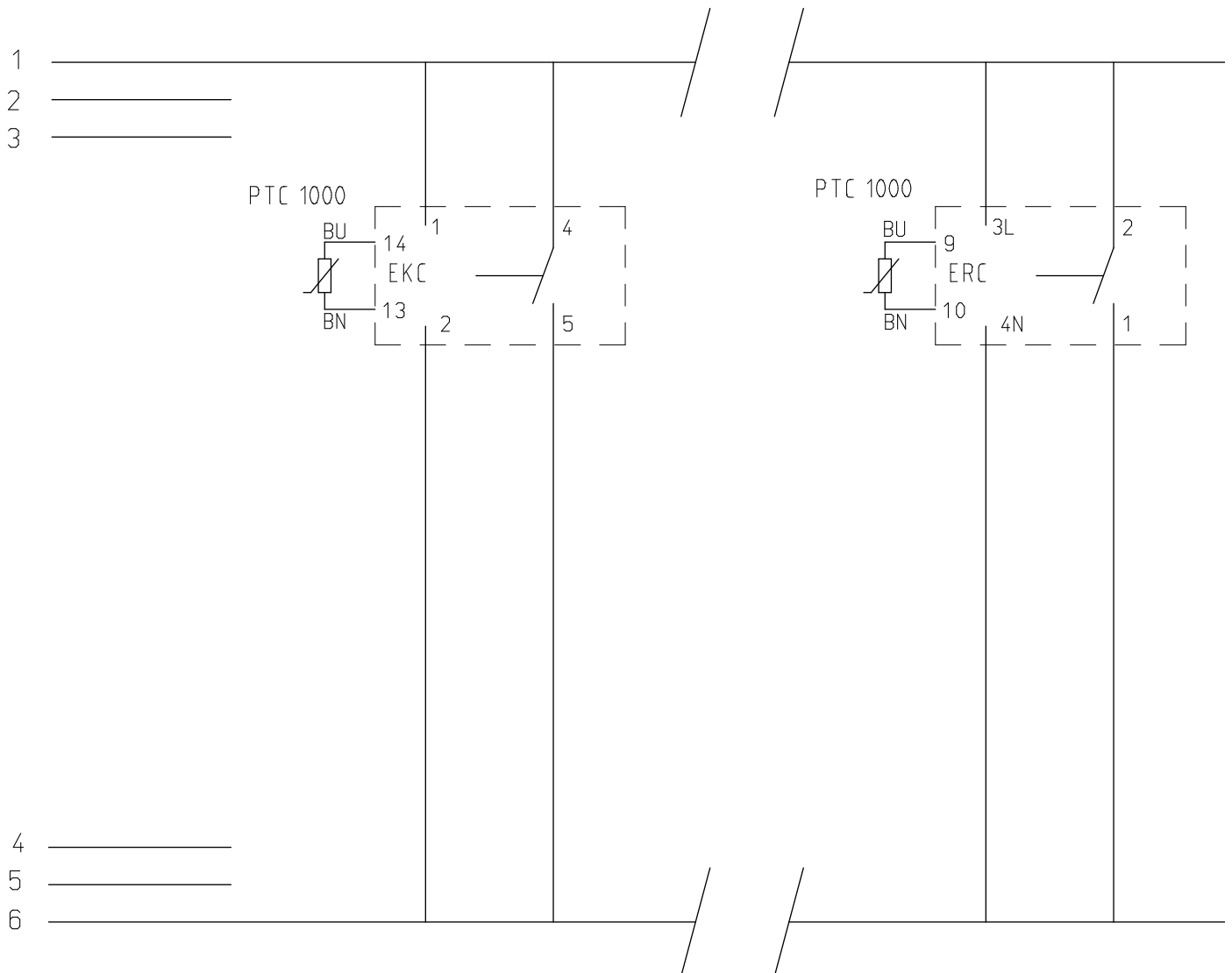


1. Remove the pans and frame out of the cabinet.
2. Remove the nut inside the cabinet that secures the drain and remove the drain.
3. Reverse the procedure to install.

CHANGING DANFOSS EKC TO ERC THERMOSTAT

Instructions for exchanging Danfoss EKC to ERC thermostat

The wiring connection numbers 1-4-2-5-13-14 on the Danfoss EKC thermostat are different than the wiring connections 3L-2-4N-1-9-10 on the ERC thermostat. Keep this in mind when you change the EKC for the ERC thermostat. See also the drawing below.



For adjusting instructions and parameter settings see electrical tests on pages 34 - 35 and 38.

EMPTY PAGE

ELECTRICAL TESTS AND SERVICE PROCEDURES

WARNING: Disconnect the electrical power to the machine at the main circuit box. Place a tag on the circuit box indicating the circuit is being serviced.

PT 1000 SENSOR TEST PREMIUM (HUMIDIFIED VERSION)

1. Remove the right side panel according prior procedure.
2. Remove the wiring from the sensor.
3. Connect a temperature sensor to the probe for comparison.
4. Test the probe with an Ohmmeter.

Temperature		Resistance Ω
$^{\circ}\text{F}$	$^{\circ}\text{C}$	± 5 Ohms
60	16	1062
70	21	1082
80	27	1106
90	32	1124
100	38	1148
125	52	1202
150	65	1252
200	94	1362
250	121	1464
350	177	1674
450	233	1880

PTC 1K SENSOR TEST (ESSENTIAL AND SELF SERVICE VERSION)

Temperature		Resistance
$^{\circ}\text{F}$	$^{\circ}\text{C}$	± 10 Ohms
60	16	930
70	21	970
80	27	1016
90	32	1056
100	38	1107
125	52	1227
150	65	1347
200	94	1636
250	121	1935

1. Remove the right side panel according prior procedure.
2. Remove the wiring from the sensor.
3. Connect a temperature sensor to the probe for comparison.
4. Test the probe with an Ohmmeter.

HEATING ELEMENT TEST


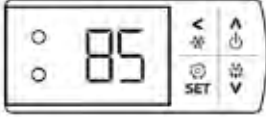




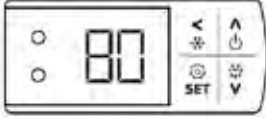
Note: When testing the resistance of the element remove the wiring.







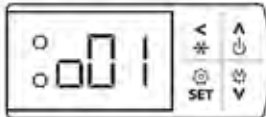


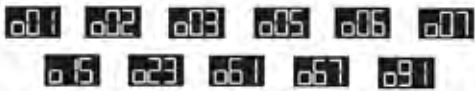






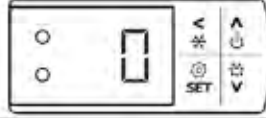


Type	Wattage/Voltage	Resistance Ω -5% + 10%	Current A
HD All models	1500 / 230	35.3	6.5
	1500 / 208	28.8	7.2
HD Premium Humidified	600 / 230	88.5	2.6
	600 / 208	71.5	2.9
	300 / 230	177.0	1.3
	300 / 208	144.5	1.4
HD All models	150 / 230	352.0	0.6

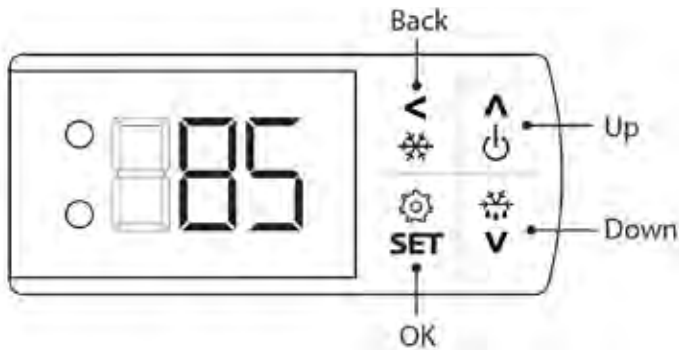
ADJUSTING DANFOSS ERC 211 THERMOSTAT

In order to adjust the thermostat, first open the panel on the backside with the key.

Adjusting Danfoss ERC211 thermostat

Changing temperature setpoint	Example screens
1. Press  to access setpoint mode	
2. Change value with  or 	
3. Press  to confirm	
When no key is pressed after last confirmation, the system goes back to normal operation after 10 seconds	

Programming menu	Example screens
1. Press  for 3 seconds to access the menu	
2. Scroll through parameter groups with  and 	
3. Select parameter group with 	
4. Scroll through parameter names with  and 	
5. Press  to read out the value	
6. Change value with  and 	
7. Press  to confirm	
8. Press  to select the next parameter and follow instruction 3 to 7	
Use  to go back in the parameter groups and once more to leave the programming menu	



DANFOSS ERC 211 SETTINGS

Note! Change parameter r03 first!

r00	Temperature set point	80	°C
r01	Differential	1	K
r02	Min set point limitation	0	°C
r03	Max set point limitation	99	°C
r04	Display offset	0	°C
r05	Display unit (°C/°F)	°C	
r09	Calibration of Sair	-1.5	°C
r12	Main switch	1	
r13	Night set back	0	
r40	Thermostat reference displacement	0	
r96	Pull-down duration	0	
r97	Pull-down limit temperature	0	
A03	Delay for temperature alarm (normal conditions)	30	min
A12	Delay for temperature alarm (pull down/start-up/defrost)	60	min
A13	High temperature alarm limit	100	°C
A14	Low temperature alarm limit	-30	°C
A27	DI1 delay	30	min
A37	Condenser high alarm limit	80	°C
A54	Condenser high block limit	85	°C
A72	Voltage protection enable	no	
A73	Minimum cut-in voltage	0	V
A74	Minimum cut-out voltage	0	V
A75	Maximum voltage	270	V
d01	Defrost method (no=no defrost, nAt=natural)	no	
d02	Defrost stop temperature	6	°C
d03	Defrost Interval	8	hr.
d04	Max. defrost time	30	min
d05	Defrost delay at power up	0	min
d06	Drip delay	0	min

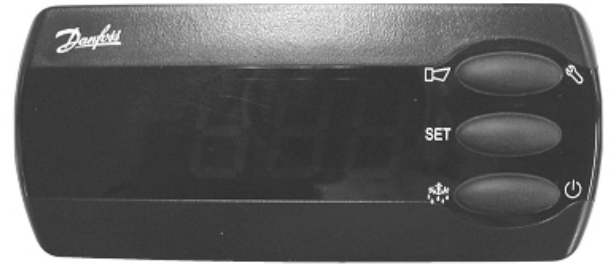
d10	Defrost stop sensor (non-time, Air-Sair)	non	
d18	Compressor accumulated	0	hr.
d30	Defrost delay after pull-down	0	min
c01	Compressor minimum ON time	0	min
c02	Compressor minimum OFF-time	0	min
c04	Compressor OFF delay	0	sec
c70	Zero crossing selection	yES	
o01	Delay of outputs	0	sec
o02	DI1 configuration	oFF	
o03	Serial address	0	
o05	Password	no	
o06	Sensor type selection (n5=NTC5 K, n10=NTC10 K, Ptc=PTC, Pt1=Pt1000)	Ptc	
o07	Cooling/heating (rE=refrigeration / Ht=heat)	Ht	
o15	Display resolution (°C)	0.1	
o23	Relay counter	0	
o61	Predefined applications	AP0	
o67	Save settings as factory	no	
o91	Display at defrost	d	
P73	DI1 input polarity	no	
P76	Keyboard lock enable	no	
u01	Air temperature (Sair)	-	°C
u02	Read the present regulation refer- ence	-	
u10	DI1 input	-	
u13	Status of night operation	-	
u58	Compressor relay status	-	-
u80	Firmware version readout	-	

ADJUSTING DANFOSS EKC 102A THERMOSTAT TILL SERIAL NUMBER 100080408

In order to adjust the thermostat, first remove the thermostat according prior procedure.

Changing set point

1. Press the middle button until the temperature value is shown.
2. Change value with upper or lower button.
3. Press the middle button to confirm.



Setting internal parameters

1. Press the upper button for 3 seconds. In display the first parameter appears (r01).
2. Press the middle button to read out value.
3. Change value with upper or lower button.
4. Press the middle button to confirm.
5. Press the lower button for the next parameter. Follow instructions 2 to 4.

When no key is pressed after last confirmation, system goes back to normal operation mode after 20 seconds.

Replacing of thermostat

When you install a new thermostat, then always change parameter r05 first to 0 (°C) and change parameter o07 to HE. Otherwise some other parameters cannot be changed to the desired value. You can run through the parameters with the up or down keys, once you are inside the parameter settings.

Options

1. Return to factory settings. Turn the power off. Press and hold the upper and lower button and switch the power on at the same time.
2. Actual temperature of sensor 1 (Thermostat). Press up key shortly 2 times.

Error codes on display

E1: Fault in controller.

E29: Cabinet sensor broken or wiring problem sensor.

DANFOSS EKC 102A SETTINGS TILL SERIAL NUMBER 100080408

	DANFOSS EKC 102A		HD 3-4-5 Self service (till May 2007)	HD 3-4-5 Self service	HD 3-4-5-7 Essential Full Service
	Setpoint	°C	62,5	80	80
r01	Differential	°C	1	1	1
r02	Higher setpoint limit	°C	65	99	99
r03	Lower setpoint limit	°C	60	0	0
r04	Off-set temperature indication	°C	17,5	0	0
r05	Temperature unit (°C / °F)	°C	°C	°C	°C
r09	Correction of signal from air output	°C	0	0	0
r12	Start / stop of temperature control		1	1	1
c01	Minimum "ON" time compressor	min	0	0	0
c02	Minimum "OFF" time compressor	min	0	0	0
c30	Reversed function of relay contact		OFF	OFF	OFF
d01	Defrost method (0=none)		0	0	0
d02	Defrost end temperature	°C	6	6	6
d03	Defrost interval	hour	8	8	8
d04	Maximum defrost time	min	45	45	45
d05	"ON" delay after defrost	min	0	0	0
d10	Defrost sensor (0=time, 1=air)		0	0	0
d13	Defrost at start up		no	no	no
o01	Output delay after start up	sec	0	0	0
o05	Access code all settings		0	0	0
o06	Sensor type		Ptc	Ptc	Ptc
o07	Warm (HE) / cold (rE)		HE	HE	HE
o15	Step value display (yes = 0.5°C / no = 1°C)		no	no	no
o65	Store parameters under number		0	0	0
o66	Restore parameters as stored		0	0	0
o67	Store current parameter as factory default		OFF	OFF	OFF
u58	Status relay 1		-	-	-

PRODUCT TEMPERATURE PROBE SETINGS DANFOSS ERC 211

r00	Temperature set point	2	°C
r01	Differential	2	K
r02	Min set point limitation	0	°C
r03	Max set point limitation	99	°C
r04	Display offset	0	°C
r05	Display unit (°C/°F)	°C	
r09	Calibration of Sair	-1.5	°C
r12	Main switch	1	
r13	Night set back	0	
r40	Thermostat reference displacement	0	
r96	Pull-down duration	0	
r97	Pull-down limit temperature	0	
A03	Delay for temperature alarm (normal conditions)	30	min
A12	Delay for temperature alarm (pull down/start-up/defrost)	60	min
A13	High temperature alarm limit	100	°C
A14	Low temperature alarm limit	-30	°C
A27	DI1 delay	30	min
A37	Condenser high alarm limit	80	°C
A54	Condenser high block limit	85	°C
A72	Voltage protection enable	No	
A73	Minimum cut-in voltage	0	V
A74	Minimum cut-out voltage	0	V
A75	Maximum voltage	270	V
d01	Defrost method (no=no defrost, nAI=natural)	No	
d02	Defrost stop temperature	6	°C
d03	Defrost Interval	8	hr.
d04	Max. defrost time	30	min
d05	Defrost delay at power up	0	min
d06	Drip delay	0	min

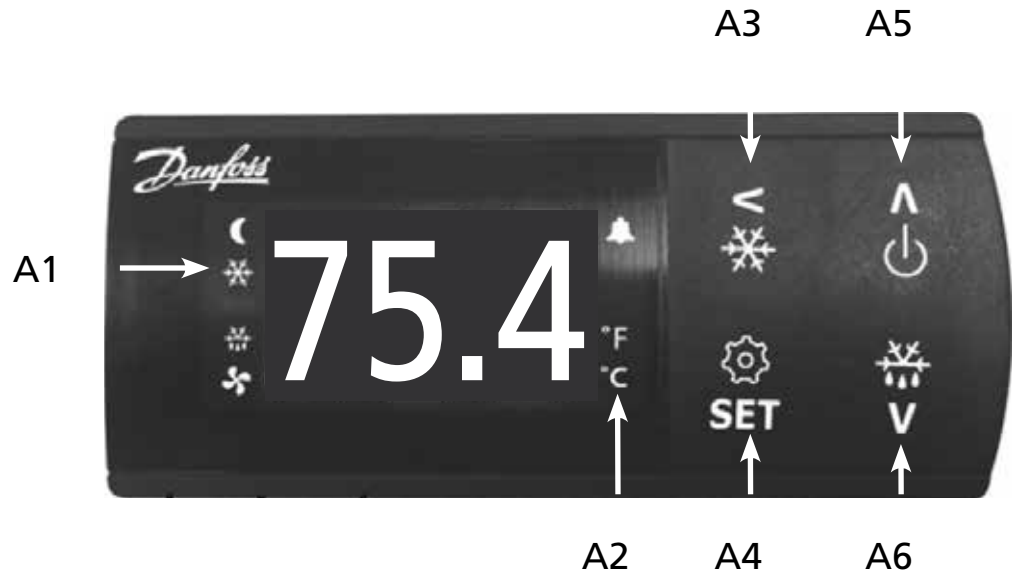
d10	Defrost stop sensor (non=time, Air=Sair)	non	
d18	Compressor accumulated	0	hr.
d30	Defrost delay after pull-down	0	min
c01	Compressor minimum ON time	0	min
c02	Compressor minimum OFF-time	0	min
c04	Compressor OFF delay	0	sec
c70	Zero crossing selection	yES	
o01	Delay of outputs	5	sec
o02	DI1 configuration	oFF	
o03	Serial address	0	
o05	Password	no	
o06	Sensor type selection (n5=NTC5 K, n10=NTC10 K, Ptc=PTC, Pt1=Pt1000)	Pt	
o07	Cooling/heating (rE=refrigeration / Ht=heat)	rE	
o15	Display resolution (°C)	0.1	
o23	Relay counter	0	
o61	Predefined applications	AP0	
o67	Save settings as factory	no	
o91	Display at defrost	d	
P73	DI1 input polarity	no	
P76	Keyboard lock enable	no	
u01	Air temperature (Sair)	-	°C
u02	Read the present regulation refer- ence	-	
u10	DI1 input	-	
u13	Status of night operation	-	
u58	Compressor relay status	-	
u80	Firmware version readout	-	

PRODUCT TEMPERATURE PROBE SETTINGS DANFOSS EKC 102A TILL SERIAL NUMBER 100080408

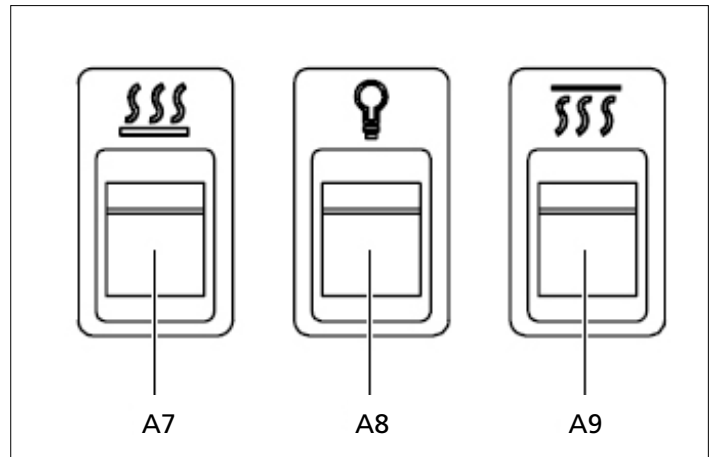
	DANFOSS EKC 102A		Temperature probe HD 3-4-5-7
	Setpoint	°C	2
r01	Differential	°C	2
r02	Higher setpoint limit	°C	99
r03	Lower setpoint limit	°C	0
r04	Off-set temperature indication	°C	0
r05	Temperature unit (°C / °F)	°C	°C
r09	Correction of signal from air output	°C	0
r12	Start / stop of temperature control		1
c01	Minimum "ON" time compressor	min	0
c02	Minimum "OFF" time compressor	min	0
c30	Reversed function of relay contact		OFF
d01	Defrost method (0=none)		0
d02	Defrost end temperature	°C	6
d03	Defrost interval	hour	8
d04	Maximum defrost time	min	45
d05	"ON" delay after defrost	min	0
d10	Defrost sensor (0=time, 1=air)		0
d13	Defrost at start up		no
o01	Output delay after start up	sec	5
o05	Access code all settings		0
o06	Sensor type		Pt
o07	Warm (HE) / cold (rE)		RE
o15	Step value display (yes = 0.5°C / no = 1°C)		no
o65	Store parameters under number		0
o66	Restore parameters as stored		0
o67	Store current parameter as factory default		OFF
u58	Status relay 1		-

A6 Heating switch
A7 Lighting switch
A8 IR emitter switch

If the elements are switched on, the indicator lamp A1 will go on.

CONTROL LOCATION ESSENTIAL (FULL SERVE) AND SELF SERVE


- A1 Heating on/off
- A2 Indication °C or °F
- A3 Back key
- A4 OK/set key
- A5 Up key
- A6 Down key
- A7 Heating switch
- A8 Lighting switch
- A9 IR emitter switch



If the elements are switched on, the indicator lamp A1 will go on.

Error codes on display:

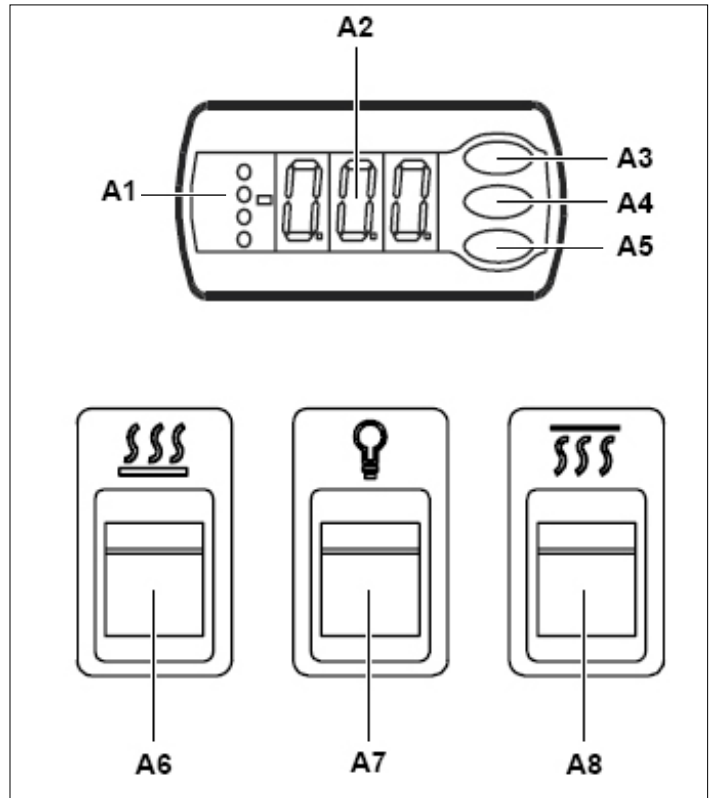
- E29: PT sensor broken or wiring problem sensor.
- A01: High temperature alarm.
- A02: Low temperature alarm.
- A99: High voltage alarm.
- AA1: Low voltage alarm.
- oFF: Main switch alarm. Check parameter r12.
- Wrong temperature displayed: Wrong type of sensor selected. Check o06.

When reporting error codes the unit is switched in stand-by mode and cannot be used until the problem is resolved.

CONTROL LOCATION ESSENTIAL AND SELF SERVE TILL SERIAL NUMBER 100080408

- A1 Indicator ON
- A2 Display temperature
- A3 Up key
- A4 SET key
- A5 DOWN key
- A6 Heating switch
- A7 Lighting switch
- A8 IR emitter switch

If the elements are switched on, the indicator lamp A1 will go on.



CONTROL PANEL PREMIUM (HUMIDIFIED)

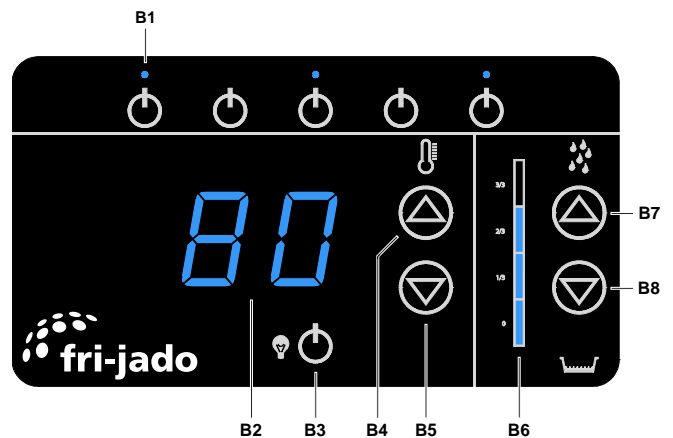
- B1 IR emitter keys
- B2 Temperature reading
- B3 Lighting key
- B4 Increase temperature
- B5 Reduce temperature
- B6 Humidification level reading
- B7 Increase humidification
- B8 Reduce humidification

The B1 keys switch the IR emitters in the light cover individually. The sequence of the keys is the same as the sequence of the emitters seen from the operating side of the warmer.

Error codes on display:

- E1: PT Sensor shows open connection
- E2: PT Sensor short circuit.

When reporting error codes E1 and E2 the unit is switched in stand-by mode and cannot be used until the problem is resolved.



TROUBLESHOOTING

HOT DELI 3/4/5/7 ESSENTIAL (FULL SERVE) & SELF SERVE

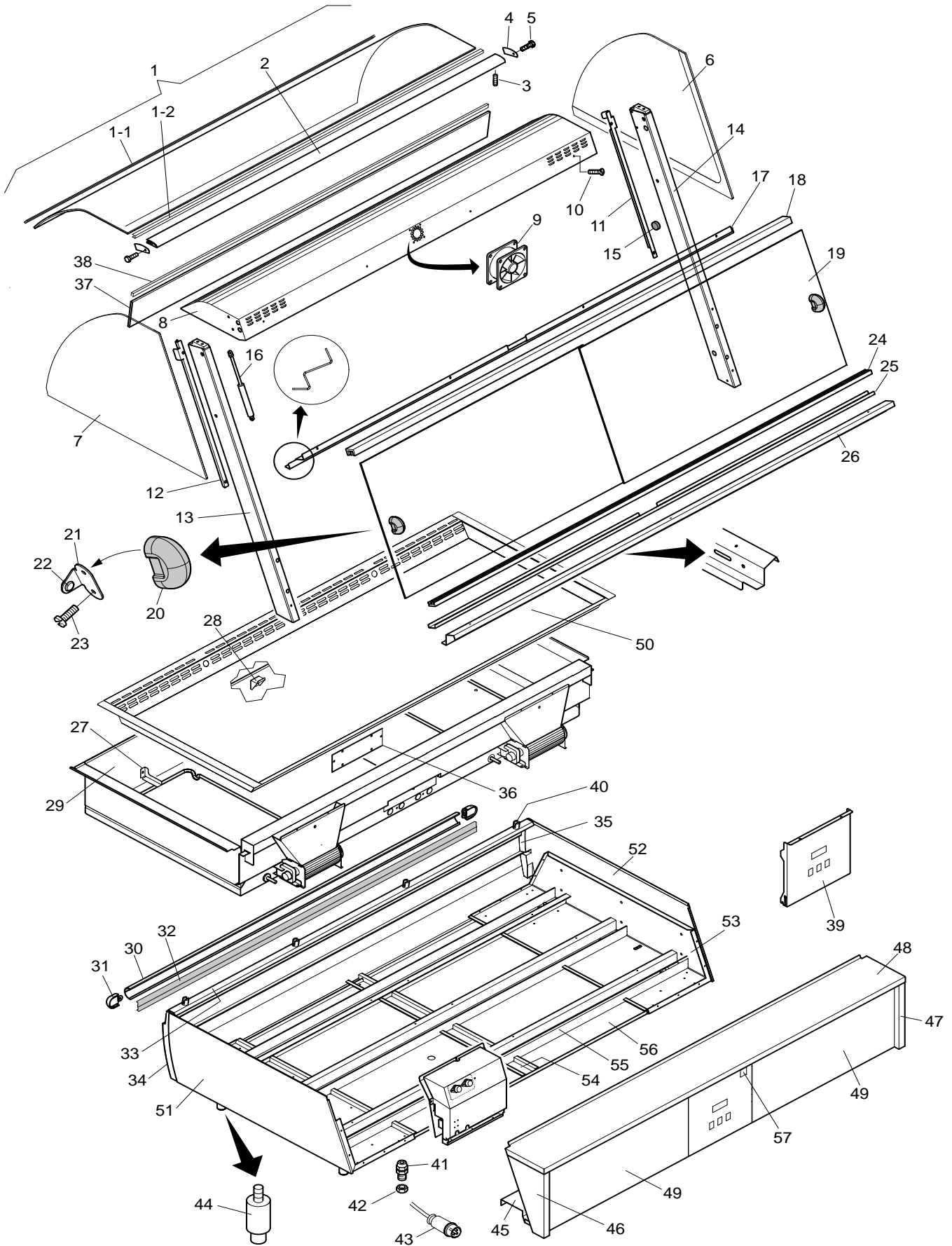
Symptom	Possible causes
No power to warmer controls.	<ol style="list-style-type: none"> 1. Main breaker open. 2. Fuse F1 burned. 3. Tumble switch malfunction. 4. Wiring loose.
No indication on electronic thermostat.	<ol style="list-style-type: none"> 1. Tumble switch heating malfunction. 2. Fuse F1 burned. 3. Electronic thermostat malfunction. 4. Wiring loose.
Display does not reach desired temperature.	<ol style="list-style-type: none"> 1. Incorrect line voltage. 2. PTC-1000 sensor malfunction. 3. Heater(s) inoperative. 4. Blower motor(s) inoperative. 5. Contactor inoperative. 6. Check parameters electronic thermostat.
Display temperature gets too high.	<ol style="list-style-type: none"> 1. PTC-1000 sensor malfunction. 2. Contactor inoperative.
Ceramic element(s) do not work.	<ol style="list-style-type: none"> 1. Tumble switch ceramics malfunction. 2. Ceramic element(s) inoperative. 3. Wiring loose.
No lighting.	<ol style="list-style-type: none"> 1. Incorrect line voltage. 2. Tumble switch lighting malfunction. 3. Wiring loose. 4. Bad contact on lamp holders.

HOT DELI 3/4/5/7 PREMIUM: HUMIDIFIED/AUTOMATIC WATER FILLING

Symptom	Possible causes
No power to warmer controls.	<ol style="list-style-type: none"> 1. Main breaker open. 2. Fuse F1 burned. 3. Wiring loose. 4. Loose flat cable display / I.O. board
Display does not reach desired temperature.	<ol style="list-style-type: none"> 1. Incorrect line voltage. 2. PT-1000 sensor malfunction. 3. Heater(s) inoperative. 4. Contactor inoperative. 5. Power and I/O board malfunction.
Display temperature gets too high.	<ol style="list-style-type: none"> 1. PT-1000 sensor malfunction. 2. Contactor inoperative. 3. Blower motor(s) inoperative. 4. Relay on power and I/O board malfunction (x9) 5. Power and I/O board malfunction.
Buzzer alarm sounds, but water tray is filled.	<ol style="list-style-type: none"> 1. Scaling on water level sensor. 2. Electronic waterlevel control malfunction. 3. Wiring loose.
No heating of water tray.	<ol style="list-style-type: none"> 1. Heater(s) inoperative. 2. Relay on power and I/O board malfunction (x11-x12) 3. Wiring loose.
Water keeps flowing.	<ol style="list-style-type: none"> 1. Scaling on water level sensor. 2. Water level control malfunction. 3. Relay malfunction. 4. Solenoid water valve malfunction. 5. Too much pressure on water supply (valve does not close).
No water supply.	<ol style="list-style-type: none"> 1. No pressure on water supply. 2. Water tube blocked. 3. Water level sensor malfunction. 4. Wiring loose. 5. Electronic water level control malfunction. 6. Relay malfunction. 7. Solenoid water valve malfunction.
No display and/or keypad does not function.	<ol style="list-style-type: none"> 1. Loose flat cable display / I.O. board 2. Fuse F4 (125mA) burned 3. Fuse F1 or F2 burned. 4. Display and/or power and I/O board malfunction
No lighting.	<ol style="list-style-type: none"> 1. Incorrect line voltage. 2. Relay on power and I/O board malfunction (x10) 3. Wiring loose. 4. Power and I/O board malfunction.
No buzzer alarm when water level in water tray is low.	<ol style="list-style-type: none"> 1. Scaling on water level sensor. 2. Water level sensor malfunction. 3. Water level control malfunction. 4. CPU board malfunction (buzzer broken). 5. Humidification setting on the keypad is on zero.
Products dry out too fast.	<ol style="list-style-type: none"> 1. No water in water tray. 2. Temperature setting too high.

EXPLODED VIEWS & PARTLISTS

HOT DELI 3-4-5 SELF SERVICE ASSEMBLY DRAWING

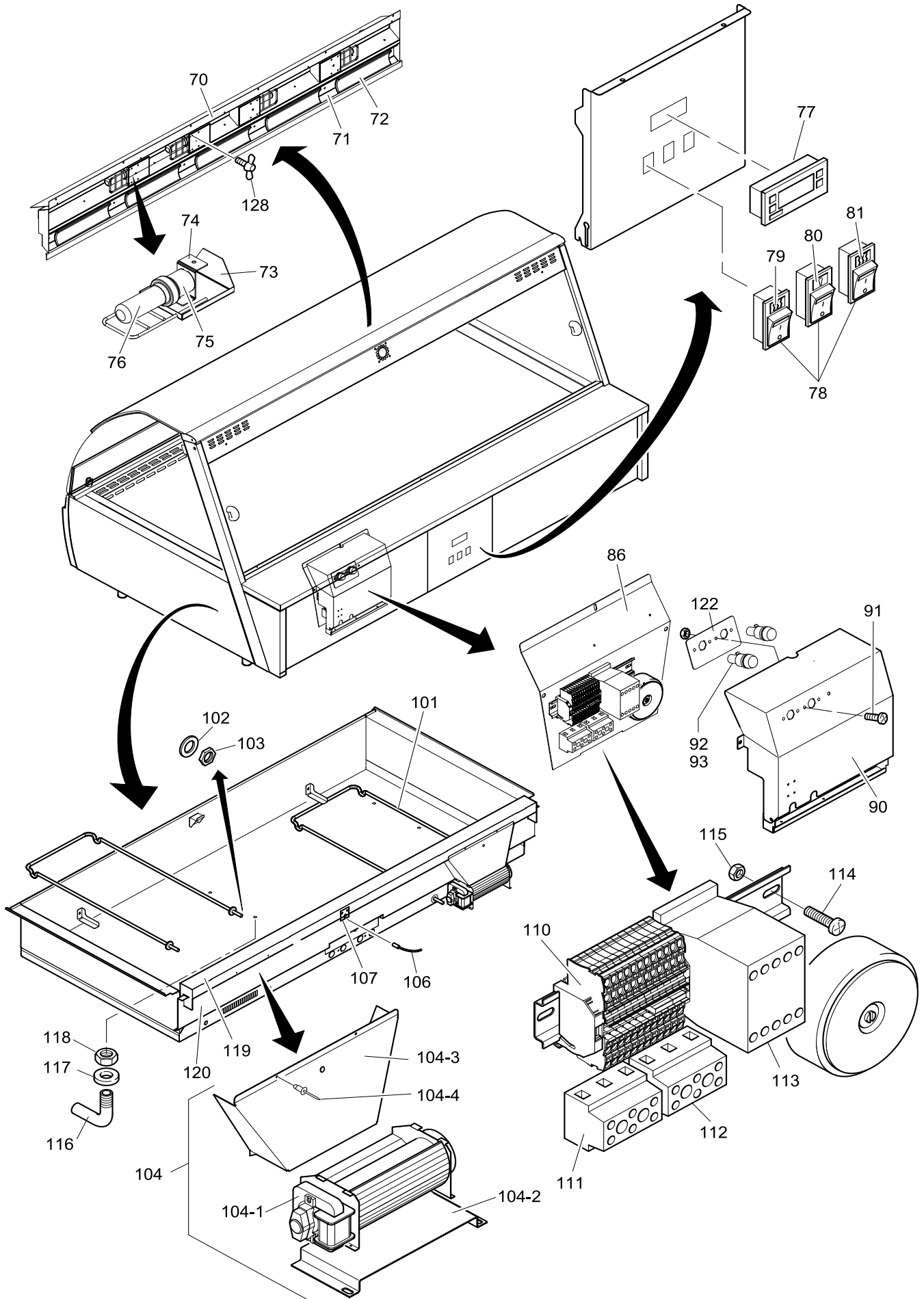


Item	Part number	Model	Qty	Description	Item	Part number	Model	Qty	Description
1	9262042S	HD 3	1	Glass, top, complete with plastic profiles	24	9262033	HD 3	1	Profile, sliding door, bottom
1	9262041S	HD 4	1	Glass, top, complete with plastic profil	24	9262031	HD 4	1	Profile, sliding door, bottom
1	9262040S	HD 5	1	Glass, top, complete with plastic profil	24	9262029	HD 5	1	Profile, sliding door, bottom
1-1	9263049	HD 3	2	Protection profile (plastic)	25	9264070	HD 3	1	Holder, sliding door profile
1-1	9263055	HD 4	2	Protection profile (plastic)	25	9264065	HD 4	1	Holder, sliding door profile
1-1	9263056	HD 5	2	Protection profile (plastic)	25	9264056	HD 5	1	Holder, sliding door profile
1-2	9261024	HD 3	1.1 mtr	Protection profile (plastic)	26	9264045	HD 3	1	Airsuction profile
1-2	9261024	HD 4	1.5 mtr	Protection profile (plastic)	26	9264039	HD 4	1	Airsuction profile
1-2	9261024	HD 5	1.8 mtr	Protection profile (plastic)	26	9264022	HD 5	1	Airsuction profile
2	9263010	HD 3	1	Mounting profile, glass	27	9264017	All models	2	Bracket, heating element
2	9263005	HD 4	1	Mounting profile, glass	28	9264018	All models	1	Support, tray frame
2	9263001	HD 5	1	Mounting profile, glass	29	9260420	HD 3	1	Inner housing
3	9261027	All models		Socket set screw M6x8, Torx, stainless steel	29	9260415	HD 4	1	Inner housing
4	9262034	All models	2	Cover plate	29	9260410	HD 5	1	Inner housing
5	4288324	All models	2	Screw M 4x8, SS socket button head	30	9263040	HD 3	1	Protection profile (plastic)
6	9262022S	All models	1	Sideglass right	30	9263041	HD 4	1	Protection profile (plastic)
7	9262023S	All models	1	Sideglass left	30	9263042	HD 5	1	Protection profile (plastic)
8	9264071	HD 3	1	Light fixture	31	8071036	All models	2	Plug, end
8	9264066	HD 4	1	Light fixture	32	9263045	HD 3	1	Mounting profile
8	9264057	HD 5	1	Light fixture	32	9263046	HD 4	1	Mounting profile
9	9261011	All models	1	Blower	32	9263047	HD 5	1	Mounting profile
10	4288322	All models	8	Screw M5 x 10, SS socket button head	33	9263013	HD 3	1	Front, aluminium
11	9264062	All models	1	Profile, sideglass right	33	9263008	HD 4	1	Front, aluminium
12	9264063	All models	1	Profile, sideglass left	33	9263004	HD 5	1	Front, aluminium
13	9262005	All models	1	Console left, ass.	34	9264112	All models	1	Side-plate, left front
14	9262004	All models	1	Console right, ass.	35	9264111	All models	1	Side-plate, right front
15	9241000	All models	2	Bumper, console (20 pieces)	36	9264200	All models	1	Cover plate, inner housing
16	9261020	HD 3	1	Gas spring 100 N	37	9262101S	HD 3	1	Lower window
16	9261020	HD 4	2	Gas spring 100 N	37	9262103S	HD 4	1	Lower window
16	9261020	HD 5	2	Gas spring 100 N	37	9262105S	HD 5	1	Lower window
17	9264073	HD 3	1	Clamping profile	38	9261024	HD 3	1.1 mtr	Protection profile (plastic)
17	9264068	HD 4	1	Clamping profile	38	9261024	HD 4	1.5 mtr	Protection profile (plastic)
17	9264059	HD 5	1	Clamping profile	38	9261024	HD 5	1.8 mtr	Protection profile (plastic)
18	9262032	HD 3	1	Profile, sliding door, top	39	9264204	All models	1	Operation panel
18	9262030	HD 4	1	Profile, sliding door, top	40	9263030	HD 3	3	Glass holder
18	9262028	HD 5	1	Profile, sliding door, top	40	9263030	HD 4	4	Glass holder
19	9262026S	HD 3	2	Glass, sliding door	40	9263030	HD 5	5	Glass holder
19	9262025S	HD 4	2	Glass, sliding door	41	3701067	All models	1	Strain relief M32x1,5
19	9262024S	HD 5	2	Glass, sliding door	42	3701068	All models	1	Nut, relief strain M32x1,5
20	8065038	All models	2	Door handle	43	9070028	All models	1	Connecting cable with plug
21	9184253	All models	2	Bumper profile	44	9181030	All models	4	Adjustable leg
22	9086207	All models	2	Bumper					
23	0147674	All models	4	Screw M 4x25, SS cross recess head (philips)					

Item	Part number	Model	Qty	Description
45	9264090	HD 3	1	Cover profile, inner housing
45	9264085	HD 4	1	Cover profile, inner housing
45	9264075	HD 5	1	Cover profile, inner housing
46	9264084	All models	1	Side-plate, left
47	9264083	All models	1	Side-plate, right
48	9264091	HD 3	1	Panel, service side
48	9264086	HD 4	1	Panel, service side
48	9264076	HD 5	1	Panel, service side
49	9260240	HD 3	2	Back panel
49	9260242	HD 4	2	Back panel
49	9260244	HD 5	2	Back panel
50	9264223	HD 3	1	Plateau
50	9264213	HD 4	1	Plateau
50	9264205	HD 5	1	Plateau
51	9265017	All models	1	Side panel, left
52	9265018	All models	1	Side panel, right
53	9264000	All models	2	Side panel, frame
54	9264002	All models	1	Support
55	9264007	HD 3	3	Support, frame
55	9264005	HD 4	3	Support, frame
55	9264001	HD 5	3	Support, frame
56	9264008	HD 3	1	Cover plate
56	9264006	HD 4	1	Cover plate
56	9264004	HD 5	1	Cover plate
57	9110810	All models	1	Indication plate

EMPTY PAGE

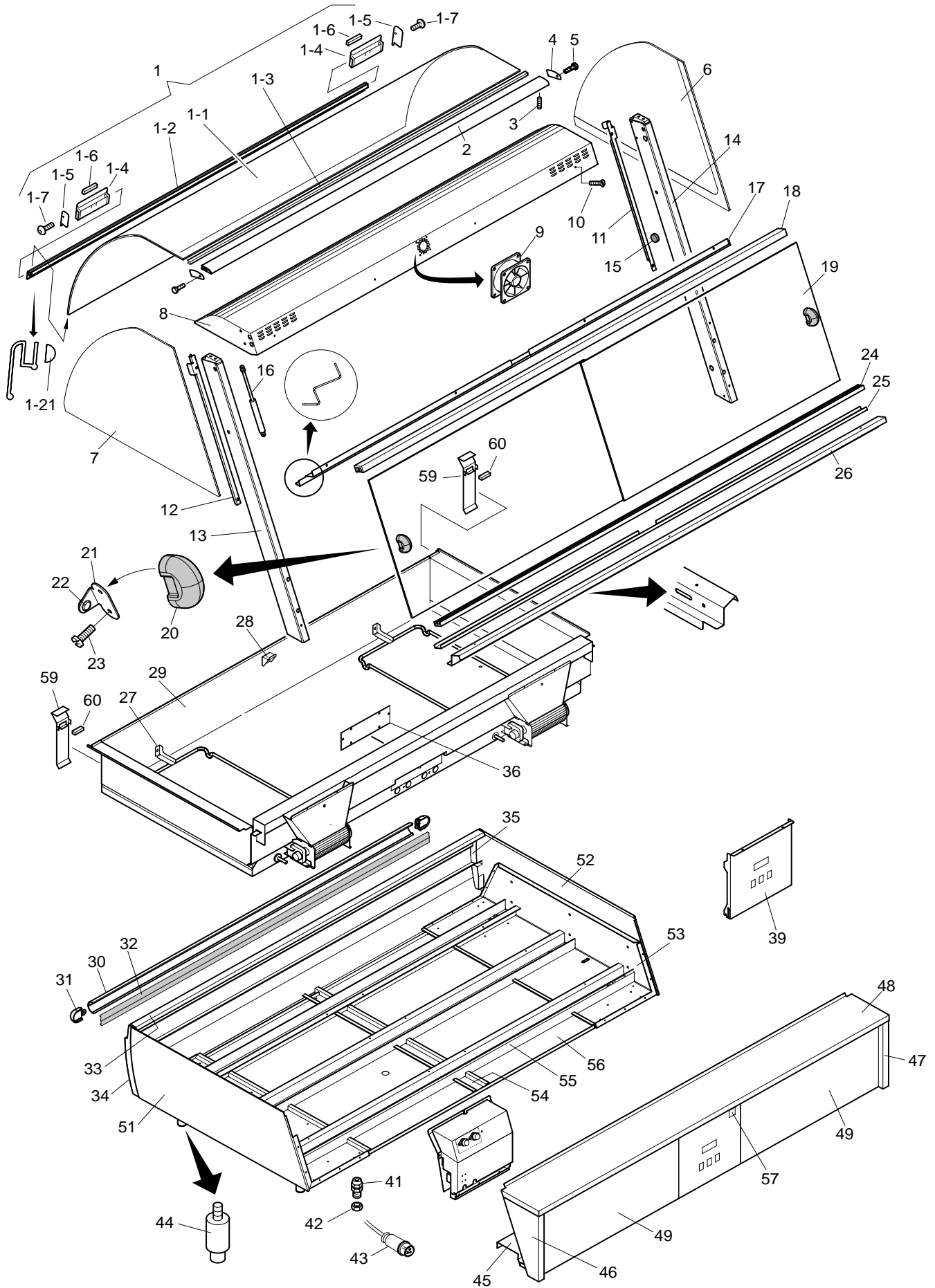
HOT DELI 3-4-5 SELF SERVICE COMPONENTS DRAWING



Item	Part number	Model	Qty	Description	Item	Part number	Model	Qty	Description
70	9264072	HD 3	1	Reflector	110	9262070	All models	1	Terminal block with bracket
70	9264067	HD 4	1	Reflector	111	9044564	All models	1	Connecting block, 1,2,3
70	9264058	HD 5	1	Reflector	112	9044572	All models	1	Connecting block, 4,5,6
71	9265022	HD 3	1	Mounting plate, ceramic element	113	3500069	All models	1	Contactora
71	9265021	HD 4	1	Mounting plate, ceramic element	114	0141204	All models	2	Screw M 4x16, SS cross recess head (philips)
71	9265020	HD 5	1	Mounting plate, ceramic element	115	0142307	All models	2	Nut M 4 SS
72	9181065	HD 3	3	Heating element, Ceramic, 150 W	116	9263020	All models	1	Drain pipe
72	9181065	HD 4	4	Heating element, Ceramic, 150 W	117	9182065	All models	1	Seal ring
72	9181065	HD 5	5	Heating element, Ceramic, 150 W	118	9008542	All models	1	Nut M 12 SS
73	9262045	HD 3	2	Protection, lamp	119	9260421	HD 3	1	Air deflector
73	9262045	HD 4	3	Protection, lamp	119	9260416	HD 4	1	Air deflector
73	9262045	HD 5	4	Protection, lamp	119	9260411	HD 5	1	Air deflector
74	9264060	HD 3	2	Bracket, lamp holder	120	9264044	HD 3	1	Protection plate
74	9264060	HD 4	3	Bracket, lamp holder	120	9264038	HD 4	1	Protection plate
74	9264060	HD 5	4	Bracket, lamp holder	120	9264019	HD 5	1	Protection plate
75	9211016	HD 3	2	Lamp holder	122	9264099	All models	1	Fastening plate, fuse holder
75	9211016	HD 4	3	Lamp holder	126	9261029	HD 3	2	Wingscrew M5x10, SS
75	9211016	HD 5	4	Lamp holder	126	9261029	HD 4	3	Wingscrew M5x10, SS
76	9261002	HD 3	2	Lamp, Halogen 100 W	126	9261029	HD 5	4	Wingscrew M5x10, SS
76	9261002	HD 4	3	Lamp, Halogen 100 W					
76	9261002	HD 5	4	Lamp, Halogen 100 W					
77	92211095	All models	1	Thermostat, Danfoss ERC 211					
78	9181008	All models	3	Switch, tumble					
79	9181070	All models	1	Sticker, upper heating					
80	9181071	All models	1	Sticker, lighting					
81	9181072	All models	1	Sticker, lower heating					
86	9264100	All models	1	Mounting plate, electrical components					
90	9264101	All models	1	Cover plate, electric components					
91	0141204	All models	2	Screw M 4x16, SS cross recess head (philips)					
92	9261019	All models	2	Fuse holder					
93	9261018	All models	2	Fuse 6,3x32, ceramic T15A					
94	9262080	All models	1	Ring core transformer 230-208 V					
101	9182000	All models	2	Heating element, 1500 W					
102	0169197	All models	4	Gasket, heating element					
103	0169189	All models	4	Nut, heating element					
104	92610625	All models	2	Blower set					
104-1	9261062	All models	2	Blower					
104-2	9264180	All models	2	Mounting bracket					
104-3	9264181	All models	2	Intake duct					
104-4	3701027	All models	4	Blind rivet 3.2x6,4					
106	9221011	All models	1	Temperature sensor					
107	9224121	All models	1	Sensor holder					

Note on item 104! The Merchandisers till serial number 100075098 have different blowers, mounting brackets and intake ducts. Therefore you need the whole blower set 926.... if you need to change the blower.

HOT DELI 3-4-5 ESSENTIAL (FULL SERVICE) ASSEMBLY DRAWING



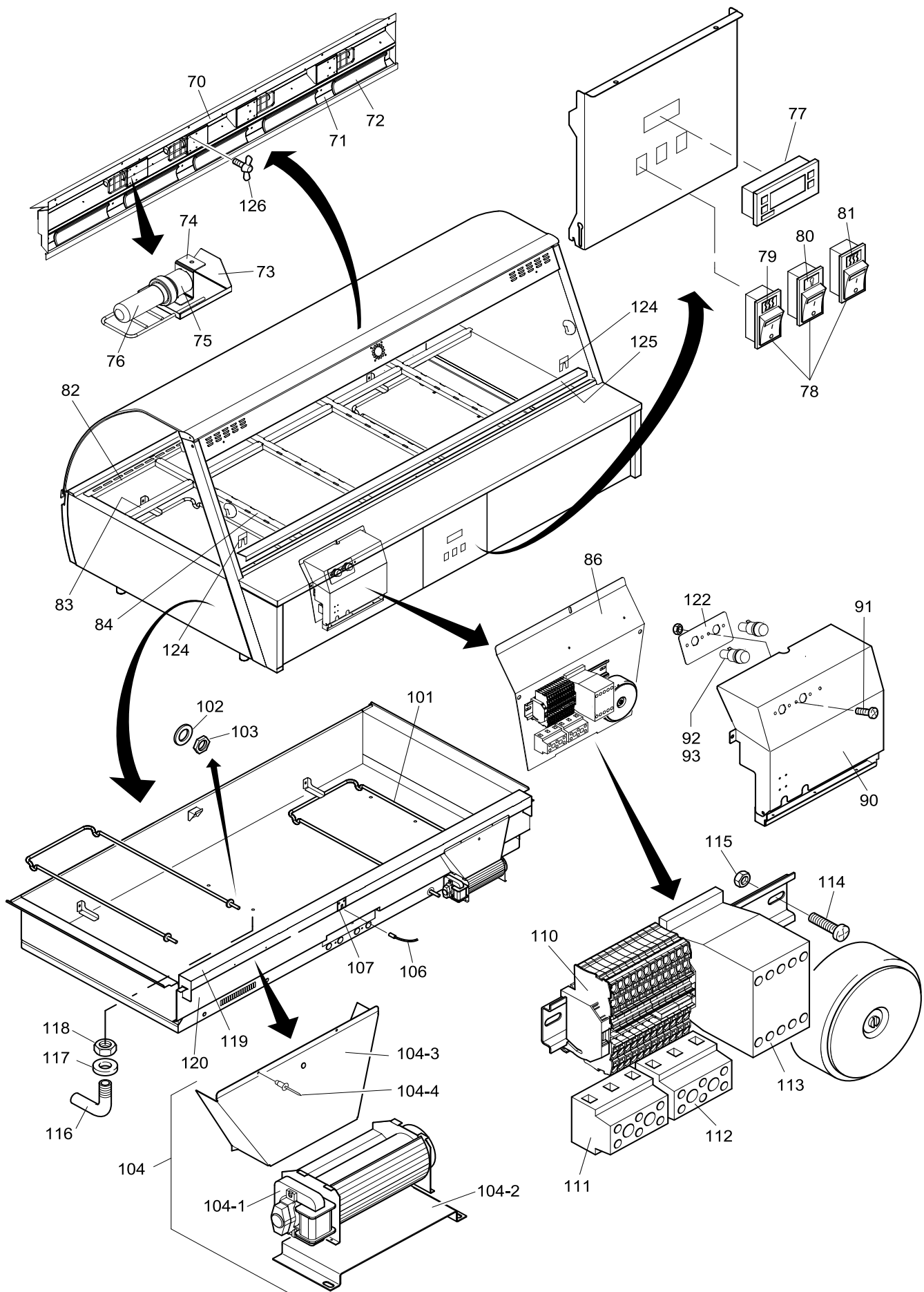
Item	Part number	Model	Qty	Description
1	9260230S	HD 3	1	Glass, bended, complete with profiles
1	9260231S	HD 4	1	Glass, bended, complete with profiles
1	9260232S	HD 5	1	Glass, bended, complete with profiles
1-1	HD 3	1	Glass, bended, without profiles
1-1	HD 4	1	Glass, bended, without profiles
1-1	HD 5	1	Glass, bended, without profiles
1-2	9263011	HD 3	1	Glass handle
1-2	9263006	HD 4	1	Glass handle
1-2	9263002	HD 5	1	Glass handle
1-21	9262460	HD 3	1,1 mtr	Foam rubber
1-21	9262460	HD 4	1,5 mtr	Foam rubber
1-21	9262460	HD 5	1,8 mtr	Foam rubber
1-3	9261024	HD 3	1.1 mtr	Protection profile (plastic)
1-3	9261024	HD 4	1.5 mtr	Protection profile (plastic)
1-3	9261024	HD 5	1.8 mtr	Protection profile (plastic)
1-4	9264595	All models	2	Magnet holder
1-5	9264596	All models	2	Cover plate
1-6	9191182	All models	2	Magnet block
1-7	4288324	All models	2	Screw M 4x8, SS socket button head
2	9263010	HD 3	1	Mounting profile, glass
2	9263005	HD 4	1	Mounting profile, glass
2	9263001	HD 5	1	Mounting profile, glass
3	9261027	All models		Socket set screw M6x8, Torx, stainless steel
4	9262034	All models	2	Cover plate
5	4288324	All models	2	Screw M 4x8, SS socket button head
6	9262022S	All models	1	Sideglass right
7	9262023S	All models	1	Sideglass left
8	9264071	HD 3	1	Light fixture
8	9264066	HD 4	1	Light fixture
8	9264057	HD 5	1	Light fixture
9	9261011	All models	1	Blower
10	4288322	All models	8	Screw M5 x 10, SS socket button head
11	9264062	All models	1	Profile, sideglass right
12	9264063	All models	1	Profile, sideglass left
13	9262005	All models	1	Console left, ass.
14	9262004	All models	1	Console right, ass.
15	9241000	All models	2	Bumper, console (20 pieces)
16	8031843	HD 3	2	Gas spring 500 N

Item	Part number	Model	Qty	Description
16	9261021	HD 4	2	Gas spring 700 N
16	8031819	HD 5	2	Gas spring 850 N
17	9264073	HD 3	1	Clamping profile
17	9264068	HD 4	1	Clamping profile
17	9264059	HD 5	1	Clamping profile
18	9262032	HD 3	1	Profile, sliding door, top
18	9262030	HD 4	1	Profile, sliding door, top
18	9262028	HD 5	1	Profile, sliding door, top
19	9262026S	HD 3	2	Glass, sliding door
19	9262025S	HD 4	2	Glass, sliding door
19	9262024S	HD 5	2	Glass, sliding door
20	8065038	All models	2	Door handle
21	9184253	All models	2	Bumper profile
22	9086207	All models	2	Bumper
23	0147674	All models	4	Screw M 4x25, SS cross recess head (philips)
24	9262033	HD 3	1	Profile, sliding door, bottom
24	9262031	HD 4	1	Profile, sliding door, bottom
24	9262029	HD 5	1	Profile, sliding door, bottom
25	9264070	HD 3	1	Holder, sliding door profile
25	9264065	HD 4	1	Holder, sliding door profile
25	9264056	HD 5	1	Holder, sliding door profile
26	9264045	HD 3	1	Airsuction profile
26	9264039	HD 4	1	Airsuction profile
26	9264022	HD 5	1	Airsuction profile
27	9264017	All models	2	Bracket, heating element
28	9264018	All models	1	Support, tray frame
29	9260420	HD 3	1	Inner housing
29	9260415	HD 4	1	Inner housing
29	9260410	HD 5	1	Inner housing
30	9263040	HD 3	1	Protection profile (plastic)
30	9263041	HD 4	1	Protection profile (plastic)
30	9263042	HD 5	1	Protection profile (plastic)
31	8071036	All models	2	Plug, end
32	9263045	HD 3	1	Mounting profile
32	9263046	HD 4	1	Mounting profile
32	9263047	HD 5	1	Mounting profile
33	9263012	HD 3	1	Front, aluminium
33	9263007	HD 4	1	Front, aluminium
33	9263003	HD 5	1	Front, aluminium
34	9264112	All models	1	Side-plate, left front
35	9264111	All models	1	Side-plate, right front
36	9264200	All models	1	Cover plate, inner housing
39	9264204	All models	1	Operation panel

Item	Part number	Model	Qty	Description
41	3701067	All models	1	Strain relief M32x1,5
42	3701068	All models	1	Nut, relief strain M32x1,5
43	9070028	All models	1	Connecting cable with plug
44	9181030	All models	4	Adjustable leg
45	9264090	HD 3	1	Cover profile, inner housing
45	9264085	HD 4	1	Cover profile, inner housing
45	9264075	HD 5	1	Cover profile, inner housing
46	9264084	All models	1	Side-plate, left
47	9264083	All models	1	Side-plate, right
48	9264091	HD 3	1	Panel, service side
48	9264086	HD 4	1	Panel, service side
48	9264076	HD 5	1	Panel, service side
49	9260240	HD 3	2	Back panel
49	9260242	HD 4	2	Back panel
49	9260244	HD 5	2	Back panel
51	9265017	All models	1	Side panel, left
52	9265018	All models	1	Side panel, right
53	9264000	All models	2	Side panel, frame
54	9264002	All models	1	Support
55	9264007	HD 3	3	Support, frame
55	9264005	HD 4	3	Support, frame
55	9264001	HD 5	3	Support, frame
56	9264008	HD 3	1	Cover plate
56	9264006	HD 4	1	Cover plate
56	9264004	HD 5	1	Cover plate
57	9110810	All models	1	Indication plate
59	9264594	All models	2	Magnet holder
60	9191182	All models	2	Magnet block

EMPTY PAGE

HOT DELI 3-4-5 ESSENTIAL (FULL SERVICE) COMPONENT DRAWING

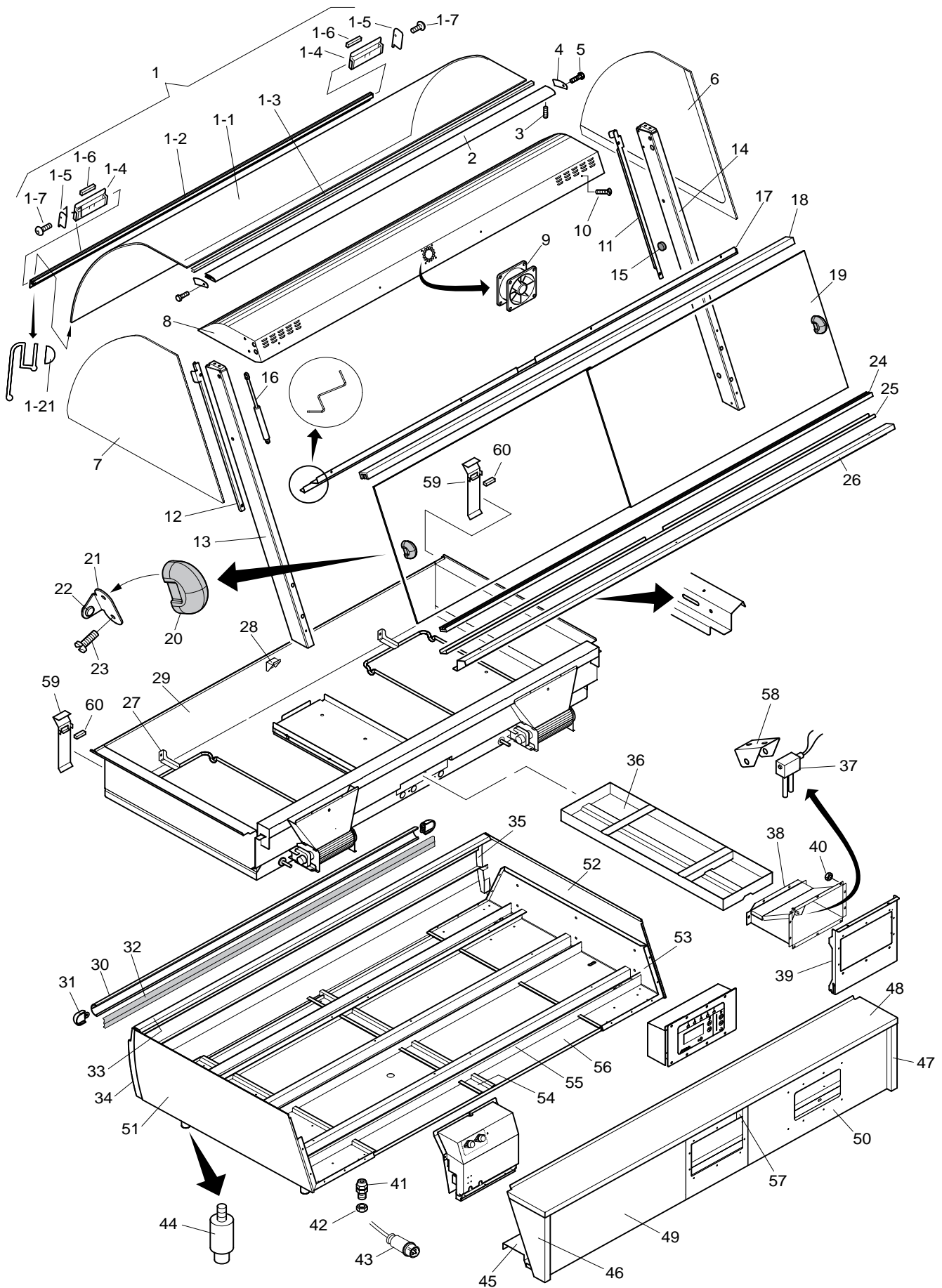


Note on item 104! The Merchandisers till serial number 100075098 have different blowers, mounting brackets and intake ducts. Therefore you need the whole blower set 926.... if you need to change the blower.

Item	Part number	Model	Qty	Description
70	9264072	HD 3	1	Reflector
70	9264067	HD 4	1	Reflector
70	9264058	HD 5	1	Reflector
71	9265022	HD 3	1	Mounting plate, ceramic element
71	9265021	HD 4	1	Mounting plate, ceramic element
71	9265020	HD 5	1	Mounting plate, ceramic element
72	9181065	HD 3	3	Heating element, Ceramic, 150 W
72	9181065	HD 4	4	Heating element, Ceramic, 150 W
72	9181065	HD 5	5	Heating element, Ceramic, 150 W
73	9262045	HD 3	2	Protection, lamp
73	9262045	HD 4	3	Protection, lamp
73	9262045	HD 5	4	Protection, lamp
74	9264060	HD 3	2	Bracket, lamp holder
74	9264060	HD 4	3	Bracket, lamp holder
74	9264060	HD 5	4	Bracket, lamp holder
75	9211016	HD 3	2	Lamp holder
75	9211016	HD 4	3	Lamp holder
75	9211016	HD 5	4	Lamp holder
76	9261002	HD 3	2	Lamp, Halogen 100 W
76	9261002	HD 4	3	Lamp, Halogen 100 W
76	9261002	HD 5	4	Lamp, Halogen 100 W
77	9221109S	All models	1	Thermostat, Danfoss ERC 211
78	9181008	All models	3	Switch, tumble
79	9181070	All models	1	Sticker, upper heating
80	9181071	All models	1	Sticker, lighting
81	9181072	All models	1	Sticker, lower heating
82	9264046	HD 3	1	Exhaust profile
82	9264040	HD 4	1	Exhaust profile
82	9264023	HD 5	1	Exhaust profile
83	9264025	HD 3	3	Profile, tray frame, small
83	9264025	HD 4	4	Profile, tray frame, small
83	9264025	HD 5	5	Profile, tray frame, small
84	9264024	HD 3	2	Profile, tray frame, long
84	9264024	HD 4	3	Profile, tray frame, long
84	9264024	HD 5	4	Profile, tray frame, long
86	9264100	All models	1	Mounting plate, electrical components
90	9264101	All models	1	Cover plate, electric components
91	0141204	All models	2	Screw M 4x16, SS cross recess head (philips)

Item	Part number	Model	Qty	Description
92	9261019	All models	2	Fuse holder
93	9261018	All models	2	Fuse 6,3x32, ceramic T15A
94	9262080	All models	1	Ring core transformer 230-208 V
101	9182000	All models	2	Heating element, 1500 W
102	0169197	All models	4	Gasket, heating element
103	0169189	All models	4	Nut, heating element
104	9261062S	All models	2	Blower set
104-1	9261062	All models	2	Blower
104-2	9264180	All models	2	Mounting bracket
104-3	9264181	All models	2	Intake duct
104-4	3701027	All models	4	Blind rivet 3.2x6,4
106	9221011	All models	1	Temperature sensor
107	9224121	All models	1	Sensor holder
110	9262070	All models	1	Terminal block with bracket
111	9044564	All models	1	Connecting block, 1,2,3
112	9044572	All models	1	Connecting block, 4,5,6
113	3500069	All models	1	Contactora
114	0141204	All models	2	Screw M 4x16, SS cross recess head (philips)
115	0142307	All models	2	Nut M 4 SS
116	9263020	All models	1	Drain pipe
117	9182065	All models	1	Seal ring
118	9008542	All models	1	Nut M 12 SS
119	9260421	HD 3	1	Air deflector
119	9260416	HD 4	1	Air deflector
119	9260411	HD 5	1	Air deflector
120	9264044	HD 3	1	Protection plate
120	9264038	HD 4	1	Protection plate
120	9264019	HD 5	1	Protection plate
122	9264099	All models	1	Fastening plate, fuse holder
124	9264493	All models	4	Bracket
125	9264494	HD 3	1	Cover profile
125	9264497	HD 4	1	Cover profile
125	9264498	HD 5	1	Cover profile
126	9261029	HD 3	2	Wingscrew M5x10, SS
126	9261029	HD 4	3	Wingscrew M5x10, SS
126	9261029	HD 5	4	Wingscrew M5x10, SS

HOT DELI 3-4-5 PREMIUM (HUMIDIFIED) ASSEMBLY DRAWING

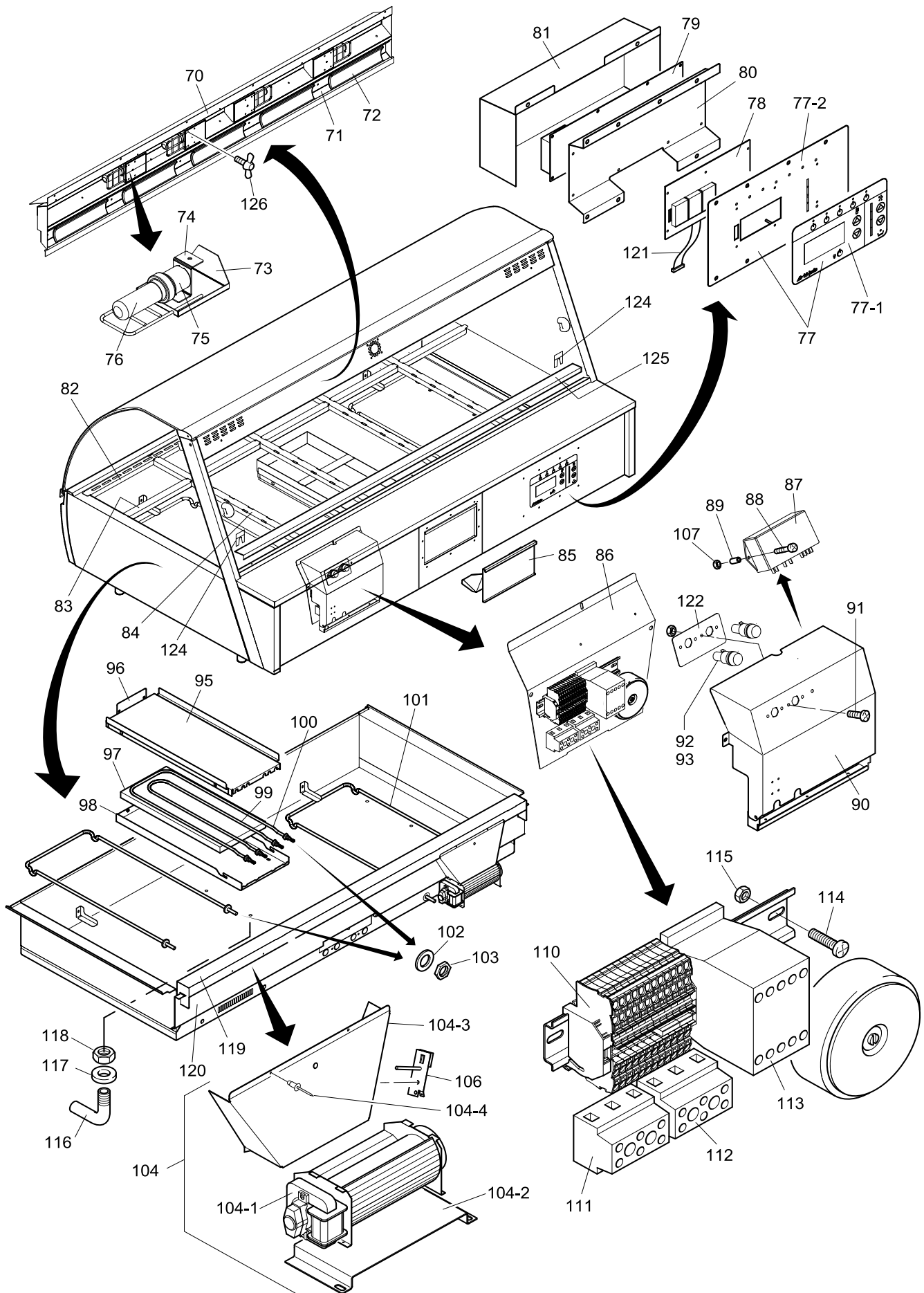


Item	Part number	Model	Qty	Description	Item	Part number	Model	Qty	Description
1	9260230S	HD 3	1	Glass, bended, complete with profiles	16	9261021	HD 4	2	Gas spring 700 N
1	9260231S	HD 4	1	Glass, bended, complete with profiles	16	8031819	HD 5	2	Gas spring 850 N
1	9260232S	HD 5	1	Glass, bended, complete with profiles	17	9264073	HD 3	1	Clamping profile
1-1	HD 3	1	Glass, bended, without profiles	17	9264068	HD 4	1	Clamping profile
1-1	HD 4	1	Glass, bended, without profiles	17	9264059	HD 5	1	Clamping profile
1-1	HD 5	1	Glass, bended, without profiles	18	9262032	HD 3	1	Profile, sliding door, top
1-2	9263011	HD 3	1	Glass handle	18	9262030	HD 4	1	Profile, sliding door, top
1-2	9263006	HD 4	1	Glass handle	18	9262028	HD 5	1	Profile, sliding door, top
1-2	9263002	HD 5	1	Glass handle	19	9262026S	HD 3	2	Glass, sliding door
1-21	9262460	HD 3	1,1 mtr	Foam rubber	19	9262025S	HD 4	2	Glass, sliding door
1-21	9262460	HD 4	1,5 mtr	Foam rubber	19	9262024S	HD 5	2	Glass, sliding door
1-21	9262460	HD 5	1,8 mtr	Foam rubber	20	8065038	All models	2	Door handle
1-3	9261024	HD 3	1.1 mtr	Protection profile (plastic)	21	9184253	All models	2	Bumper profile
1-3	9261024	HD 4	1.5 mtr	Protection profile (plastic)	22	9086207	All models	2	Bumper
1-3	9261024	HD 5	1.8 mtr	Protection profile (plastic)	23	0147674	All models	4	Screw M 4x25, SS cross recess head (philips)
1-4	9264595	All models	2	Magnet holder	24	9262033	HD 3	1	Profile, sliding door, bottom
1-5	9264596	All models	2	Cover plate	24	9262031	HD 4	1	Profile, sliding door, bottom
1-6	9191182	All models	2	Magnet block	24	9262029	HD 5	1	Profile, sliding door, bottom
1-7	4288324	All models	2	Screw M 4x8, SS socket button head	25	9264070	HD 3	1	Holder, sliding door profile
2	9263010	HD 3	1	Mounting profile, glass	25	9264065	HD 4	1	Holder, sliding door profile
2	9263005	HD 4	1	Mounting profile, glass	25	9264056	HD 5	1	Holder, sliding door profile
2	9263001	HD 5	1	Mounting profile, glass	26	9264045	HD 3	1	Airsuction profile
3	9261027	All models		Socket set screw M6x8, Torx, stainless steel	26	9264039	HD 4	1	Airsuction profile
4	9262034	All models	2	Cover plate	26	9264022	HD 5	1	Airsuction profile
5	4288324	All models	2	Screw M 4x8, SS socket button head	27	9264017	All models	2	Bracket, heating element
6	9262022S	All models	1	Sideglass right	28	9264018	All models	1	Support, tray frame
7	9262023S	All models	1	Sideglass left	29	9260420	HD 3	1	Inner housing
8	9264071	HD 3	1	Light fixture	29	9260415	HD 4	1	Inner housing
8	9264066	HD 4	1	Light fixture	29	9260410	HD 5	1	Inner housing
8	9264057	HD 5	1	Light fixture	30	9263040	HD 3	1	Protection profile (plastic)
9	9261011	All models	1	Blower	30	9263041	HD 4	1	Protection profile (plastic)
10	4288322	All models	8	Screw M5 x 10, SS socket button head	30	9263042	HD 5	1	Protection profile (plastic)
11	9264062	All models	1	Profile, sideglass right	31	8071036	All models	2	Plug, end
12	9264063	All models	1	Profile, sideglass left	32	9263045	HD 3	1	Mounting profile
13	9262005	All models	1	Console left, ass.	32	9263046	HD 4	1	Mounting profile
14	9262004	All models	1	Console right, ass.	32	9263047	HD 5	1	Mounting profile
15	9241000	All models	2	Bumper, console (20 pieces)	33	9263012	HD 3	1	Front, aluminium
16	8031843	HD 3	2	Gas spring 500 N	33	9263007	HD 4	1	Front, aluminium
					33	9263003	HD 5	1	Front, aluminium
					34	9264112	All models	1	Side-plate, left front
					35	9264111	All models	1	Side-plate, right front
					36	9260401	All models	1	Water drawer
					37	9262048	All models	1	Water level sensor, ass.
					38	9260403	All models	1	Middle section
					39	9264078	All models	1	Back panel, middle
					40	9087570	All models	10	Nut M 5, serrated

Item	Part number	Model	Qty	Description
41	3701067	All models	1	Strain relief M32x1,5
42	3701068	All models	1	Nut, relief strain M32x1,5
43	9070028	All models	1	Connecting cable with plug
44	9181030	All models	4	Adjustable leg
45	9264090	HD 3	1	Cover profile, inner housing
45	9264085	HD 4	1	Cover profile, inner housing
45	9264075	HD 5	1	Cover profile, inner housing
46	9264084	All models	1	Side-plate, left
47	9264083	All models	1	Side-plate, right
48	9264091	HD 3	1	Panel, service side
48	9264086	HD 4	1	Panel, service side
48	9264076	HD 5	1	Panel, service side
49	9260240	HD 3	1	Back panel
49	9260242	HD 4	1	Back panel
49	9260244	HD 5	1	Back panel
50	9260241	HD 3	1	Back panel, right
50	9260243	HD 4	1	Back panel, right
50	9260245	HD 5	1	Back panel, right
51	9265017	All models	1	Side panel, left
52	9265018	All models	1	Side panel, right
53	9264000	All models	2	Side panel, frame
54	9264002	All models	1	Support
55	9264007	HD 3	3	Support, frame
55	9264005	HD 4	3	Support, frame
55	9264001	HD 5	3	Support, frame
56	9264008	HD 3	1	Cover plate
56	9264006	HD 4	1	Cover plate
56	9264004	HD 5	1	Cover plate
57	9110810	All models	1	Indication plate
58	9264031	All models	1	Bracket, level sensor
59	9264594	All models	2	Magnet holder
60	9191182	All models	2	Magnet block

EMPTY PAGE

HOT DELI 3-4-5 PREMIUM (HUMIDIFIED) COMPONENTS DRAWING



Item	Part number	Model	Qty	Description	Item	Part number	Model	Qty	Description
70	9264072	HD 3	1	Reflector	79	9262067	All models	1	Power & I/O board
70	9264067	HD 4	1	Reflector	80	9264081	All models	1	Mounting plate
70	9264058	HD 5	1	Reflector	81	9264082	All models	1	Cover
71	9265022	HD 3	1	Mounting plate, ceramic element	82	9264046	HD 3	1	Exhaust profile
71	9265021	HD 4	1	Mounting plate, ceramic element	82	9264040	HD 4	1	Exhaust profile
71	9265020	HD 5	1	Mounting plate, ceramic element	82	9264023	HD 5	1	Exhaust profile
72	9181065	HD 3	3	Heating element, Ceramic, 150 W	83	9264025	HD 3	3	Profile, tray frame, small
72	9181065	HD 4	4	Heating element, Ceramic, 150 W	83	9264025	HD 4	4	Profile, tray frame, small
72	9181065	HD 5	5	Heating element, Ceramic, 150 W	83	9264025	HD 5	5	Profile, tray frame, small
73	9262045	HD 3	2	Protection, lamp	84	9264024	HD 3	2	Profile, tray frame, long
73	9262045	HD 4	3	Protection, lamp	84	9264024	HD 4	3	Profile, tray frame, long
73	9262045	HD 5	4	Protection, lamp	84	9264024	HD 5	4	Profile, tray frame, long
74	9264060	HD 3	2	Bracket, lamp holder	85	9260404	All models	1	Door, water drawer
74	9264060	HD 4	3	Bracket, lamp holder	86	9264100	All models	1	Mounting plate, electrical components
74	9264060	HD 5	4	Bracket, lamp holder	87	9262072	All models	1	Water level control, electronic
75	9211016	HD 3	2	Lamp holder	88	0141204	All models	2	Screw M 4x16, SS cross recess head (philips)
75	9211016	HD 4	3	Lamp holder	89	9040659	All models	2	Spacing pin, nylon
75	9211016	HD 5	4	Lamp holder	90	9264101	All models	1	Cover plate, electric components
76	9261002	HD 3	2	Lamp, Halogen 100 W	91	0141204	All models	2	Screw M 4x16, SS cross recess head (philips)
76	9261002	HD 4	3	Lamp, Halogen 100 W	92	9261019	All models	2	Fuse holder
76	9261002	HD 5	4	Lamp, Halogen 100 W	93	9261018	All models	2	Fuse 6,3x32, ceramic T15A
77	9260233	HD 3	1	Keypad + backplate	94	9262080	All models	1	Ring core transformer 230-208 V
77	9260234	HD 4	1	Keypad + backplate	95	9260402	All models	1	Cover, housing heating elements
77	9260235	HD 5	1	Keypad + backplate	96	9264030	All models	1	End plate, water drawer
77	9260236	HD 7	1	Keypad + backplate	97	9264029	All models	1	Cover plate
77-1	9262010	HD 3	1	Keypad	98	9264026	All models	1	Housing, heating elements
77-1	9262011	HD 4	1	Keypad	99	9182083	All models	1	Heating element, 300 W
77-1	9262012	HD 5	1	Keypad	100	9182082	All models	1	Heating element, 600 W
77-1	9260213	HD 7	1	Keypad	101	9182000	All models	2	Heating element, 1500 W
77-2	9264095	All models	1	Backplate	102	0169197	All models	8	Gasket, heating element
78	9262057	All models	1	CPU/display board	103	0169189	All models	8	Nut, heating element
					104	9261062S	All models	2	Blower set
					104-1	9261062	All models	2	Blower
					104-2	9264180	All models	2	Mounting bracket
					104-3	9264181	All models	2	Intake duct
					104-4	3701027	All models	4	Blind rivet 3.2x6,4
					106	9172310	All models	1	Temperature sensor PT 1000
					107	0142307	All models	2	Nut M 4 SS
					110	9262070	All models	1	Terminal block with bracket
					111	9044564	All models	1	Connecting block, 1,2,3
					112	9044572	All models	1	Connecting block, 4,5,6
					113	3500069	All models	1	Contacto

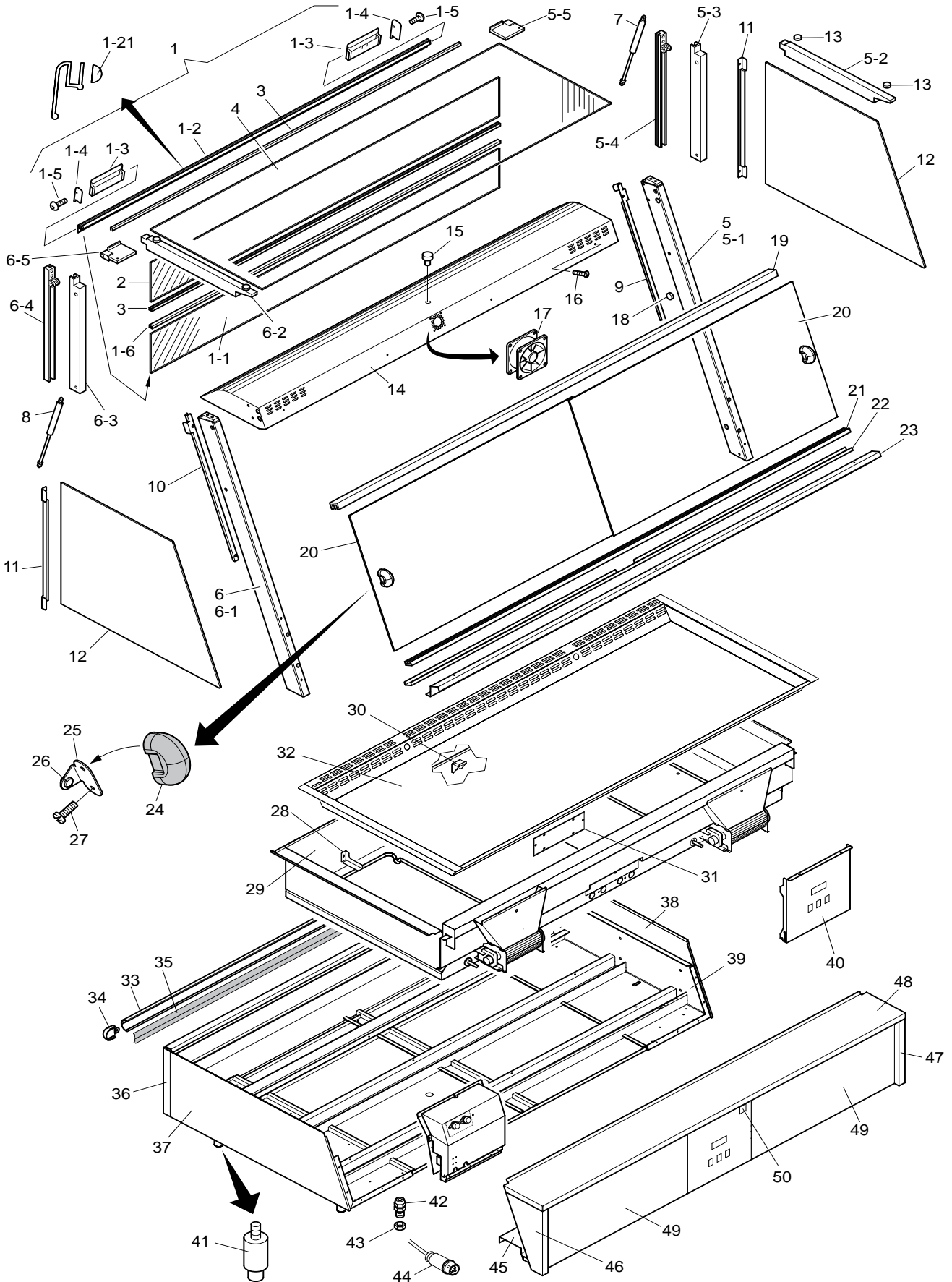
Note on item 104! The Merchandisers till serial number 100075098 have different blowers, mounting brackets and intake ducts. Therefore you need the whole blower set 926.... if you need to change the blower.

Item	Part number	Model	Qty	Description
114	0141204	All models	2	Screw M 4x16, SS cross recess head (philips)
115	0142307	All models	2	Nut M 4 SS
116	9263020	All models	1	Drain pipe
117	9182065	All models	1	Seal ring
118	9008542	All models	1	Nut M 12 SS
119	9260421	HD 3	1	Air deflector
119	9260416	HD 4	1	Air deflector
119	9260411	HD 5	1	Air deflector
120	9264044	HD 3	1	Protection plate
120	9264038	HD 4	1	Protection plate
120	9264019	HD 5	1	Protection plate
121	9262027	All models	1	Flatcable
122	9264099	All models	1	Fastening plate, fuse holder
124	9264493	All models	4	Bracket
125	9264494	HD 3	1	Cover profile
125	9264497	HD 4	1	Cover profile
125	9264498	HD 5	1	Cover profile
126	9261029	HD 3	2	Wingscrew M5x10, SS
126	9261029	HD 4	3	Wingscrew M5x10, SS
126	9261029	HD 5	4	Wingscrew M5x10, SS

EMPTY PAGE

EXPLODED VIEWS & PARTLISTS

HOT DELI 3-4-5 SELF SERVICE SQUARE ASSEMBLY DRAWING

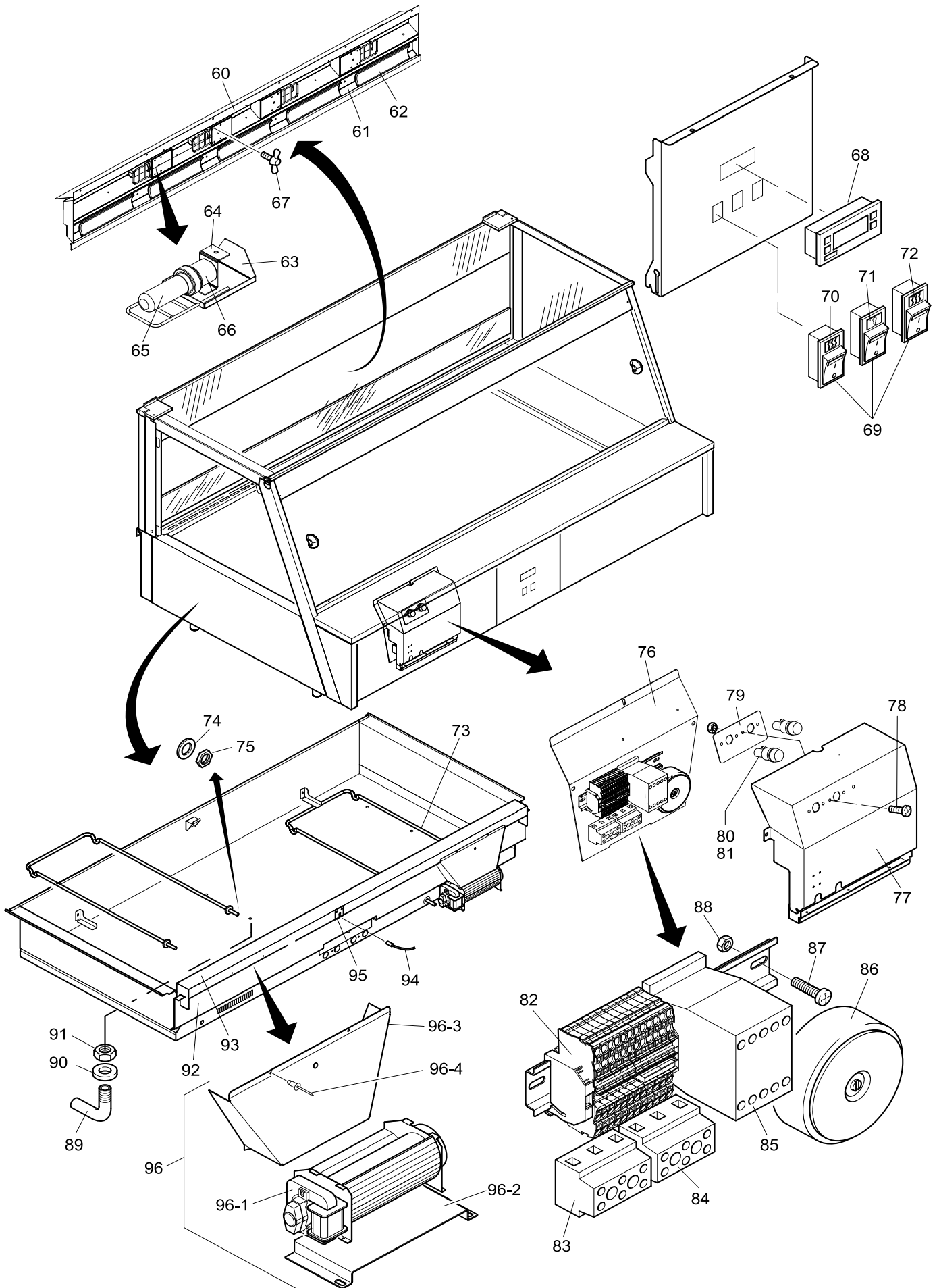


Item	Part number	Model	Qty	Description	Item	Part number	Model	Qty	Description
1	926....S	HD 3	1	Glass, front bottom side, complete with profiles	14	9264066	HD 4	1	Light fixture
1	926....S	HD 4	1	Glass, front bottom side, complete with profiles	14	9264057	HD 5	1	Light fixture
1	926....S	HD 5	1	Glass, front bottom side, complete with profiles	15	9263022	All models	1	Plug, top glass
1-1	HD 3	1	Glass, front bottom side, without profiles	16	4288322	All models	8	Screw M5 x 10, SS socket button head
1-1	HD 4	1	Glass, front bottom side, without profiles	17	9261011	All models	1	Blower
1-1	HD 5	1	Glass, front bottom side, without profiles	18	9241000	All models	2	Bumper, console (20 pieces)
1-2	9263011	HD 3	1	Glass handle	19	9262032	HD 3	1	Profile, sliding door, top
1-2	9263006	HD 4	1	Glass handle	19	9262030	HD 4	1	Profile, sliding door, top
1-2	9263002	HD 5	1	Glass handle	19	9262028	HD 5	1	Profile, sliding door, top
1-21	9262460	HD 3	1,1 mtr	Foam rubber	20	9262026S	HD 3	2	Glass, sliding door
1-21	9262460	HD 4	1,5 mtr	Foam rubber	20	9262025S	HD 4	2	Glass, sliding door
1-21	9262460	HD 5	1,8 mtr	Foam rubber	20	9262024S	HD 5	2	Glass, sliding door
1-3	9264595	All models	2	Magnet holder	21	9262033	HD 3	1	Profile, sliding door, bottom
1-4	9264596	All models	2	Cover plate	21	9262031	HD 4	1	Profile, sliding door, bottom
1-5	4288324	All models	2	Screw M 4x8, SS socket button head	21	9262029	HD 5	1	Profile, sliding door, bottom
1-6	9263049	HD 3	1	Protection profile (plastic)	22	9264070	HD 3	1	Holder, sliding door profile
1-6	9263055	HD 4	1	Protection profile (plastic)	22	9264065	HD 4	1	Holder, sliding door profile
1-6	9263056	HD 5	1	Protection profile (plastic)	22	9264056	HD 5	1	Holder, sliding door profile
2	9262431	HD 3	1	Glass, front top side	23	9264045	HD 3	1	Airsuction profile
2	9262435	HD 4	1	Glass, front top side	23	9264039	HD 4	1	Airsuction profile
2	9262433	HD 5	1	Glass, front top side	23	9264022	HD 5	1	Airsuction profile
3	9263049	HD 3	2	Protection profile (plastic)	24	8065038	All models	2	Door handle
3	9263055	HD 4	2	Protection profile (plastic)	25	9184253	All models	2	Bumper profile
3	9263056	HD 5	2	Protection profile (plastic)	26	9086207	All models	2	Bumper
4	9262150	HD 3	1	Glass, top side	27	0147674	All models	4	Screw M 4x25, SS cross recess head (philips)
4	9262153	HD 4	1	Glass, top side	28	9264017	All models	2	Bracket, heating element
4	9262157	HD 5	1	Glass, top side	29	9260420	HD 3	1	Inner housing
5	9263204	All models	1	Console right, ass.	29	9260415	HD 4	1	Inner housing
5-6	9268365	All models	set	Various fastening materials for consoles	29	9260410	HD 5	1	Inner housing
6	9263205	All models	1	Console left, ass.	30	9264018	All models	1	Support, tray frame
6-6	9268365	All models	set	Various fastening materials for consoles	31	9264200	All models	1	Cover plate, inner housing
7	9262159	HD 3	1	Gas spring 100 N	32	9264223	HD 3	1	Plateau
7	9262159	HD 4	1	Gas spring 100 N	32	9264213	HD 4	1	Plateau
7	9262161	HD 5	1	Gas spring 300 N	32	9264205	HD 5	1	Plateau
8	9262160	HD 3	1	Gas spring 200 N	33	9263040	HD 3	1	Protection profile (plastic)
8	9262160	HD 4	1	Gas spring 200 N	33	9263041	HD 4	1	Protection profile (plastic)
8	9262161	HD 5	1	Gas spring 300 N	33	9263042	HD 5	1	Protection profile (plastic)
9	9265105	All models	1	Holder, sideglass right	34	8071036	All models	2	Plug, end
10	9265104	All models	1	Holder, sideglass left	35	9263045	HD 3	1	Mounting profile
11	9265111	All models	2	Holder, sideglass front	35	9263046	HD 4	1	Mounting profile
12	9262152S	All models	1	Sideglass	35	9263047	HD 5	1	Mounting profile
13	9261056	All models	4	Protection cap	36	9265108	HD 3	1	Front panel
14	9264071	HD 3	1	Light fixture	36	9265109	HD 4	1	Front panel
					36	9265110	HD 5	1	Front panel

Item	Part number	Model	Qty	Description
37	9265102	All models	1	Side panel, left
38	9265103	All models	1	Side panel, right
39	9264000	All models	2	Side panel, frame
40	9264204	All models	1	Operation panel
41	9181030	All models	4	Adjustable leg
42	3701067	All models	1	Strain relief M32x1,5
43	3701068	All models	1	Nut, relief strain M32x1,5
44	9070028	All models	1	Connecting cable with plug
45	9264090	HD 3	1	Cover profile, inner housing
45	9264085	HD 4	1	Cover profile, inner housing
45	9264075	HD 5	1	Cover profile, inner housing
46	9264084	All models	1	Side-plate, left
47	9264083	All models	1	Side-plate, right
48	9264091	HD 3	1	Panel, service side
48	9264086	HD 4	1	Panel, service side
48	9264076	HD 5	1	Panel, service side
49	9260240	HD 3	2	Back panel
49	9260242	HD 4	2	Back panel
49	9260244	HD 5	2	Back panel
50	9110917	All models	1	Indication plate

EMPTY PAGE

HOT DELI 3-4-5 SELF SERVICE SQUARE COMPONENTS DRAWING

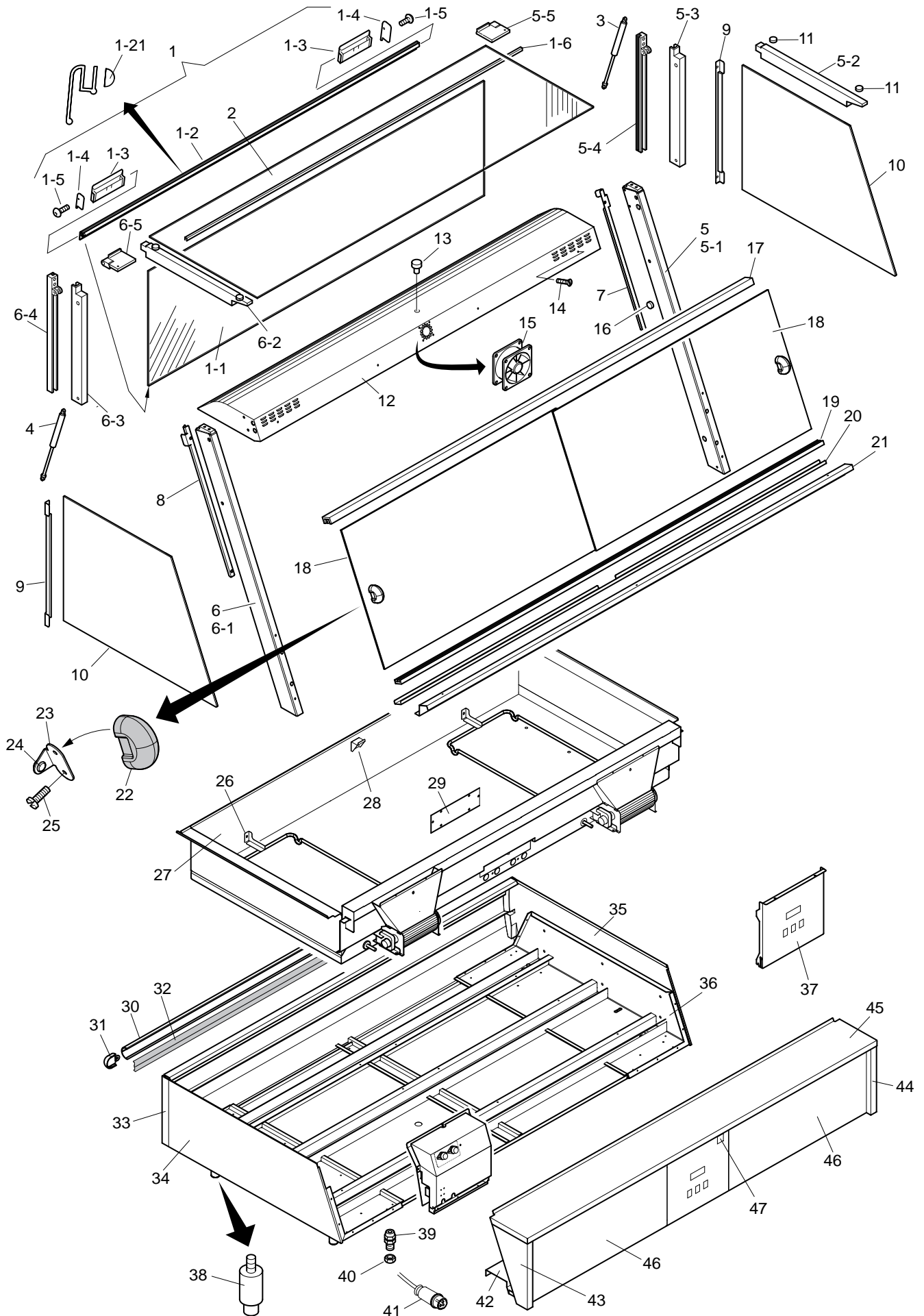


Item	Part number	Model	Qty	Description
60	9264072	HD 3	1	Reflector
60	9264067	HD 4	1	Reflector
60	9264058	HD 5	1	Reflector
61	9265022	HD 3	1	Mounting plate, ceramic element
61	9265021	HD 4	1	Mounting plate, ceramic element
61	9265020	HD 5	1	Mounting plate, ceramic element
62	9181065	HD 3	3	Heating element, Ceramic, 150 W
62	9181065	HD 4	4	Heating element, Ceramic, 150 W
62	9181065	HD 5	5	Heating element, Ceramic, 150 W
63	9262045	HD 3	2	Protection, lamp
63	9262045	HD 4	3	Protection, lamp
63	9262045	HD 5	4	Protection, lamp
64	9264060	HD 3	2	Bracket, lamp holder
64	9264060	HD 4	3	Bracket, lamp holder
64	9264060	HD 5	4	Bracket, lamp holder
65	9261002	HD 3	2	Lamp, Halogen 100 W
65	9261002	HD 4	3	Lamp, Halogen 100 W
65	9261002	HD 5	4	Lamp, Halogen 100 W
66	9211016	HD 3	2	Lamp holder
66	9211016	HD 4	3	Lamp holder
66	9211016	HD 5	4	Lamp holder
67	9261029	HD 3	2	Wingscrew M5x10, SS
67	9261029	HD 4	3	Wingscrew M5x10, SS
67	9261029	HD 5	4	Wingscrew M5x10, SS
68	92211095	All models	1	Thermostat, Danfoss ERC 211
69	9181008	All models	3	Switch, tumble
70	9181070	All models	1	Sticker, upper heating

Item	Part number	Model	Qty	Description
71	9181071	All models	1	Sticker, lighting
72	9181072	All models	1	Sticker, lower heating
73	9182000	All models	2	Heating element, 1500 W
74	0169197	All models	4	Gasket, heating element
75	0169189	All models	4	Nut, heating element
76	9264100	All models	1	Mounting plate, electrical components
77	9264113	All models	1	Cover plate, electric components
78	0141204	All models	2	Screw M 4x16, SS cross recess head (philips)
79	9264120	All models	1	Fastening plate, fuse holder
80	9261019	All models	2	Fuse holder
81	9261018	All models	2	Fuse 6,3x32, ceramic T15A
82	9262070	All models	1	Terminal block with bracket
83	9044564	All models	1	Connecting block, 1,2,3
84	9044572	All models	1	Connecting block, 4,5,6
85	3500069	All models	1	Contactora
86	9262080	All models	1	Ring core transformer 230-208 V
87	0141204	All models	2	Screw M 4x16, SS cross recess head (philips)
88	0142307	All models	2	Nut M 4 SS
89	9263020	All models	1	Drain pipe
90	9182065	All models	1	Seal ring
91	9008542	All models	1	Nut M 12 SS
92	9264044	HD 3	1	Protection plate
92	9264038	HD 4	1	Protection plate
92	9264019	HD 5	1	Protection plate
93	9260421	HD 3	1	Air deflector
93	9260416	HD 4	1	Air deflector
93	9260411	HD 5	1	Air deflector
94	9221011	All models	1	Temperature sensor
95	9224121	All models	1	Sensor holder
96	9261062S	All models	2	Blower set
96-1	9261062	All models	2	Blower
96-2	9264180	All models	2	Mounting bracket
96-3	9264181	All models	2	Intake duct
96-4	3701027	All models	4	Blind rivet 3.2x6,4

Note on item 96! The Merchandisers till serial number 100075098 have different blowers, mounting brackets and intake ducts. Therefore you need the whole blower set 926.... if you need to change the blower.

HOT DELI 3-4-5 ESSENTIAL SQUARE (FULL SERVICE) ASSEMBLY DRAWING

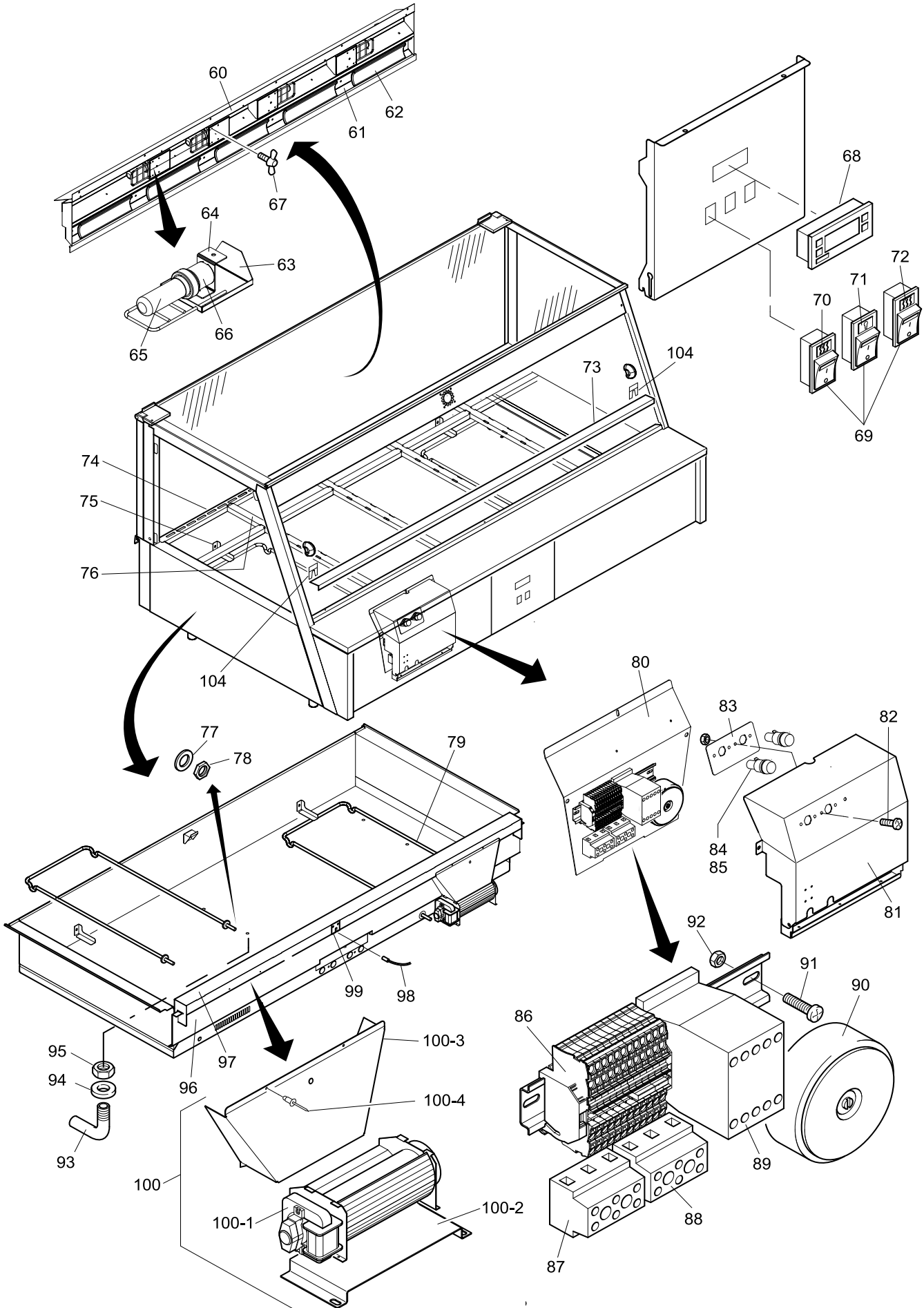


Item	Part number	Model	Qty	Description	Item	Part number	Model	Qty	Description
1	92621515	HD 3	1	Glass, front, complete with profiles	16	9241000	All models	2	Bumper, console (20 pieces)
1	92621545	HD 4	1	Glass, front, complete with profiles	17	9262032	HD 3	1	Profile, sliding door, top
1	92621565	HD 5	1	Glass, front, complete with profiles	17	9262030	HD 4	1	Profile, sliding door, top
1-1	HD 3	1	Glass, front, without profiles	17	9262028	HD 5	1	Profile, sliding door, top
1-1	HD 4	1	Glass, front, without profiles	18	92620265	HD 3	2	Glass, sliding door
1-1	HD 5	1	Glass, front, without profiles	18	92620255	HD 4	2	Glass, sliding door
1-2	9263011	HD 3	1	Glass handle	18	92620245	HD 5	2	Glass, sliding door
1-2	9263006	HD 4	1	Glass handle	19	9262033	HD 3	1	Profile, sliding door, bottom
1-2	9263002	HD 5	1	Glass handle	19	9262031	HD 4	1	Profile, sliding door, bottom
1-21	9262460	HD 3	1,1 mtr	Foam rubber	19	9262029	HD 5	1	Profile, sliding door, bottom
1-21	9262460	HD 4	1,5 mtr	Foam rubber	20	9264070	HD 3	1	Holder, sliding door profile
1-21	9262460	HD 5	1,8 mtr	Foam rubber	20	9264065	HD 4	1	Holder, sliding door profile
1-3	9264595	All models	2	Magnet holder	20	9264056	HD 5	1	Holder, sliding door profile
1-4	9264596	All models	2	Cover plate	21	9264045	HD 3	1	Airsuction profile
1-5	4288324	All models	2	Screw M 4x8, SS socket button head	21	9264039	HD 4	1	Airsuction profile
1-6	9263049	HD 3	1	Protection profile (plastic)	21	9264022	HD 5	1	Airsuction profile
1-6	9263055	HD 4	1	Protection profile (plastic)	22	8065038	All models	2	Door handle
1-6	9263056	HD 5	1	Protection profile (plastic)	23	9184253	All models	2	Bumper profile
2	92621505	HD 3	1	Glass, top side	24	9086207	All models	2	Bumper
2	92621535	HD 4	1	Glass, top side	25	0147674	All models	4	Screw M 4x25, SS cross recess head (philips)
2	92621575	HD 5	1	Glass, top side	26	9264017	All models	2	Bracket, heating element
3	9262161	HD 3	1	Gas spring 300 N	27	9260420	HD 3	1	Inner housing
3	9262161	HD 4	1	Gas spring 300 N	27	9260415	HD 4	1	Inner housing
3	9262162	HD 5	1	Gas spring 400 N	27	9260410	HD 5	1	Inner housing
4	9262161	HD 3	1	Gas spring 300 N	28	9264018	All models	1	Support, tray frame
4	9262162	HD 4	1	Gas spring 400 N	29	9264200	All models	1	Cover plate, inner housing
4	9262162	HD 5	1	Gas spring 400 N	30	9263040	HD 3	1	Protection profile (plastic)
5	9262304	All models	1	Console right, ass.	30	9263041	HD 4	1	Protection profile (plastic)
5-6	9268365	All models	set	Various fastening materials for consoles	30	9263042	HD 5	1	Protection profile (plastic)
6	9262305	All models	1	Console left, ass.	31	8071036	All models	2	Plug, end
6-6	9268365	All models	set	Various fastening materials for consoles	32	9263045	HD 3	1	Mounting profile
7	9265105	All models	1	Holder, sideglass right	32	9263046	HD 4	1	Mounting profile
8	9265104	All models	1	Holder, sideglass left	32	9263047	HD 5	1	Mounting profile
9	9265111	All models	2	Holder, sideglass front	33	9265108	HD 3	1	Front panel
10	92621525	All models	2	Side glass	33	9265109	HD 4	1	Front panel
11	9261056	All models	4	Protection cap	33	9265110	HD 5	1	Front panel
12	9264071	HD 3	1	Light fixture	34	9265102	All models	1	Side panel, left
12	9264066	HD 4	1	Light fixture	35	9265103	All models	1	Side panel, right
12	9264057	HD 5	1	Light fixture	36	9264000	All models	2	Side panel, frame
13	9263022	All models	1	Plug, top glass	37	9264204	All models	1	Operation panel
14	4288322	All models	8	Screw M5 x 10, SS socket button head	38	9181030	All models	4	Adjustable leg
15	9261011	All models	1	Blower					

Item	Part number	Model	Qty	Description
39	3701067	All models	1	Strain relief M32x1,5
40	3701068	All models	1	Nut, relief strain M32x1,5
41	9070028	All models	1	Connecting cable with plug
42	9264090	HD 3	1	Cover profile, inner housing
42	9264085	HD 4	1	Cover profile, inner housing
42	9264075	HD 5	1	Cover profile, inner housing
43	9264084	All models	1	Side-plate, left
44	9264083	All models	1	Side-plate, right
45	9264091	HD 3	1	Panel, service side
45	9264086	HD 4	1	Panel, service side
45	9264076	HD 5	1	Panel, service side
46	9260240	HD 3	2	Back panel
46	9260242	HD 4	2	Back panel
46	9260244	HD 5	2	Back panel
47	9110917	All models	1	Indication plate

EMPTY PAGE

HOT DELI 3-4-5 ESSENTIAL SQUARE (FULL SERVICE) COMPONENT DRAWING

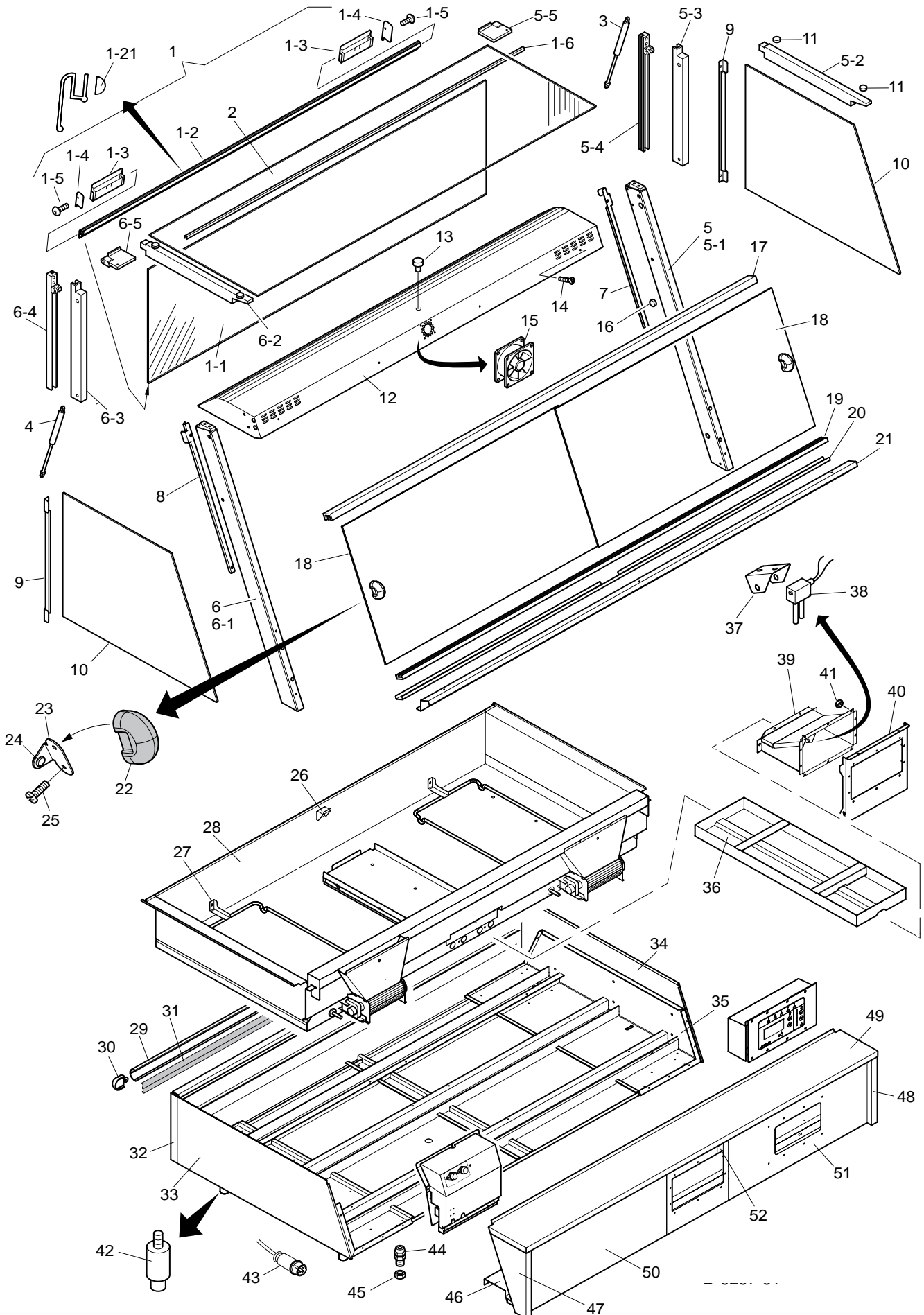


Item	Part number	Model	Qty	Description
60	9264072	HD 3	1	Reflector
60	9264067	HD 4	1	Reflector
60	9264058	HD 5	1	Reflector
61	9265022	HD 3	1	Mounting plate, ceramic element
61	9265021	HD 4	1	Mounting plate, ceramic element
61	9265020	HD 5	1	Mounting plate, ceramic element
62	9181065	HD 3	3	Heating element, Ceramic, 150 W
62	9181065	HD 4	4	Heating element, Ceramic, 150 W
62	9181065	HD 5	5	Heating element, Ceramic, 150 W
63	9262045	HD 3	2	Protection, lamp
63	9262045	HD 4	3	Protection, lamp
63	9262045	HD 5	4	Protection, lamp
64	9264060	HD 3	2	Bracket, lamp holder
64	9264060	HD 4	3	Bracket, lamp holder
64	9264060	HD 5	4	Bracket, lamp holder
65	9261002	HD 3	2	Lamp, Halogen 100 W
65	9261002	HD 4	3	Lamp, Halogen 100 W
65	9261002	HD 5	4	Lamp, Halogen 100 W
66	9211016	HD 3	2	Lamp holder
66	9211016	HD 4	3	Lamp holder
66	9211016	HD 5	4	Lamp holder
67	9261029	HD 3	2	Wingscrew M5x10, SS
67	9261029	HD 4	3	Wingscrew M5x10, SS
67	9261029	HD 5	4	Wingscrew M5x10, SS
68	9221109S	All models	1	Thermostat, Danfoss ERC 211
69	9181008	All models	3	Switch, tumble
70	9181070	All models	1	Sticker, upper heating
71	9181071	All models	1	Sticker, lighting
72	9181072	All models	1	Sticker, lower heating
73	9264494	HD 3	1	Cover profile
73	9264497	HD 4	1	Cover profile
73	9264498	HD 5	1	Cover profile

Item	Part number	Model	Qty	Description
74	9264046	HD 3	1	Exhaust profile
74	9264040	HD 4	1	Exhaust profile
74	9264023	HD 5	1	Exhaust profile
75	9264025	HD 3	3	Profile, tray frame, small
75	9264025	HD 4	4	Profile, tray frame, small
75	9264025	HD 5	5	Profile, tray frame, small
76	9264024	HD 3	2	Profile, tray frame, long
76	9264024	HD 4	3	Profile, tray frame, long
76	9264024	HD 5	4	Profile, tray frame, long
77	0169197	All models	4	Gasket, heating element
78	0169189	All models	4	Nut, heating element
79	9182000	All models	2	Heating element, 1500 W
80	9264100	All models	1	Mounting plate, electrical components
81	9264113	All models	1	Cover plate, electric components
82	0141204	All models	2	Screw M 4x16, SS cross recess head (philips)
83	9264120	All models	1	Fastening plate, fuse holder
84	9261019	All models	2	Fuse holder
85	9261018	All models	2	Fuse 6,3x32, ceramic T15A
86	9262070	All models	1	Terminal block with bracket
87	9044564	All models	1	Connecting block, 1,2,3
88	9044572	All models	1	Connecting block, 4,5,6
89	3500069	All models	1	Contacto
90	9262080	All models	1	Ring core transformer 230-208 V
91	0141204	All models	2	Screw M 4x16, SS cross recess head (philips)
92	0142307	All models	2	Nut M 4 SS
93	9263020	All models	1	Drain pipe
93	9182065	All models	1	Seal ring
95	9008542	All models	1	Nut M 12 SS
96	9264044	HD 3	1	Protection plate
96	9264038	HD 4	1	Protection plate
96	9264019	HD 5	1	Protection plate
97	9260421	HD 3	1	Air deflector
97	9260416	HD 4	1	Air deflector
97	9260411	HD 5	1	Air deflector
89	9221011	All models	1	Temperature sensor
99	9224121	All models	1	Sensor holder
100	9261062S	All models	2	Blower set
100-1	9261062	All models	2	Blower
100-2	9264180	All models	2	Mounting bracket
100-3	9264181	All models	2	Intake duct
100-4	3701027	All models	4	Blind rivet 3.2x6,4
104	9264493	All models	4	Bracket

Note on item 100! The Merchandisers till serial number 100075098 have different blowers, mounting brackets and intake ducts. Therefore you need the whole blower set 926.... if you need to change the blower.

HOT DELI 3-4-5 PREMIUM SQUARE (HUMIDIFIED) ASSEMBLY DRAWING

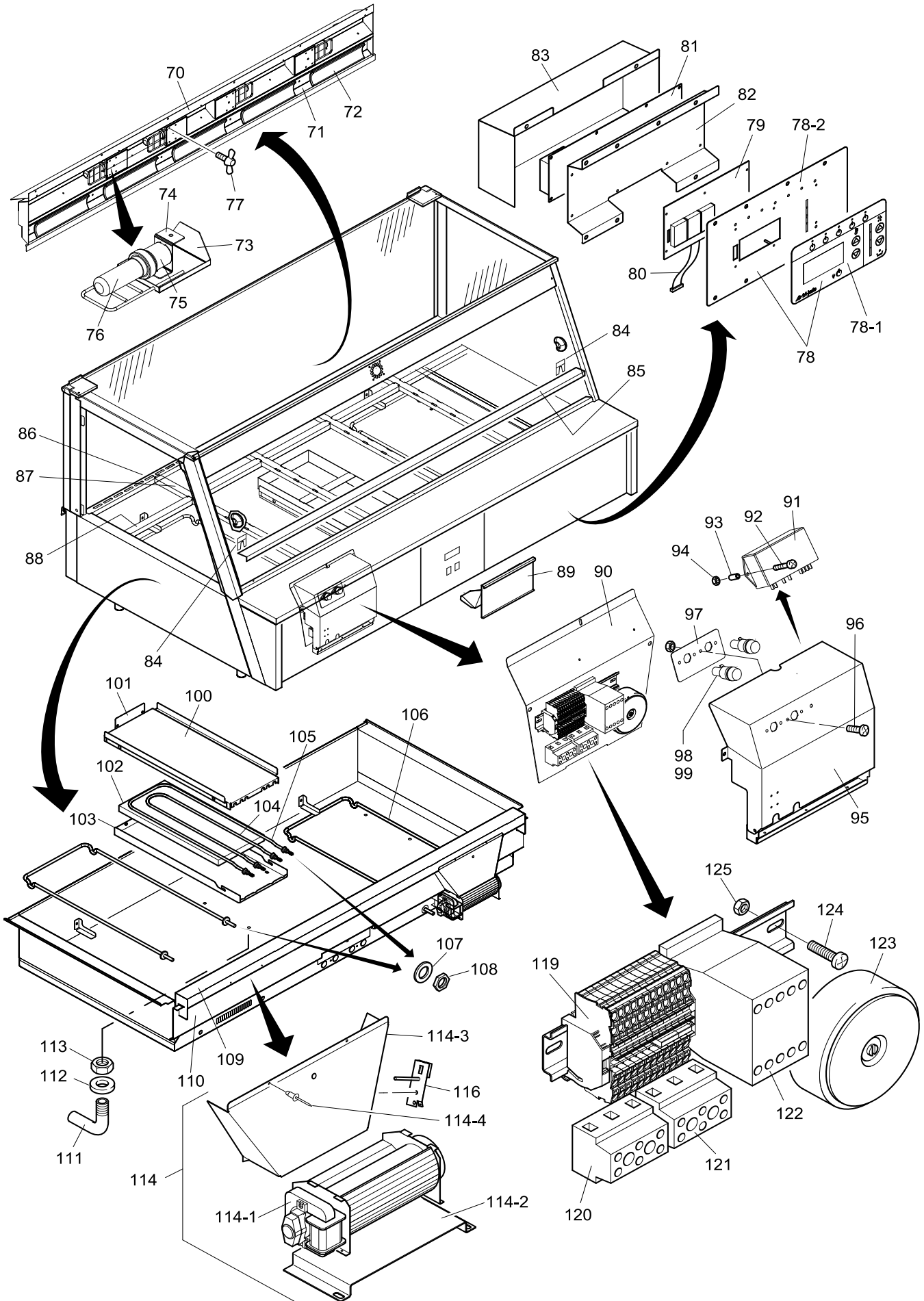


Item	Part number	Model	Qty	Description	Item	Part number	Model	Qty	Description
1	92621515	HD 3	1	Glass, front, complete with profiles	15	9261011	All models	1	Blower
1	92621545	HD 4	1	Glass, front, complete with profiles	16	9241000	All models	2	Bumper, console (20 pieces)
1	92621565	HD 5	1	Glass, front, complete with profiles	17	9262032	HD 3	1	Profile, sliding door, top
1-1	HD 3	1	Glass, front, without profiles	17	9262030	HD 4	1	Profile, sliding door, top
1-1	HD 4	1	Glass, front, without profiles	17	9262028	HD 5	1	Profile, sliding door, top
1-1	HD 5	1	Glass, front, without profiles	18	92620265	HD 3	2	Glass, sliding door
1-2	9263011	HD 3	1	Glass handle	18	92620255	HD 4	2	Glass, sliding door
1-2	9263006	HD 4	1	Glass handle	18	92620245	HD 5	2	Glass, sliding door
1-2	9263002	HD 5	1	Glass handle	19	9262033	HD 3	1	Profile, sliding door, bottom
1-21	9262460	HD 3	1,1 mtr	Foam rubber	19	9262031	HD 4	1	Profile, sliding door, bottom
1-21	9262460	HD 4	1,5 mtr	Foam rubber	19	9262029	HD 5	1	Profile, sliding door, bottom
1-21	9262460	HD 5	1,8 mtr	Foam rubber	20	9264070	HD 3	1	Holder, sliding door profile
1-3	9264595	All models	2	Magnet holder	20	9264065	HD 4	1	Holder, sliding door profile
1-4	9264596	All models	2	Cover plate	20	9264056	HD 5	1	Holder, sliding door profile
1-5	4288324	All models	2	Screw M 4x8, SS socket button head	21	9264045	HD 3	1	Airsuction profile
1-6	9263049	HD 3	1	Protection profile (plastic)	21	9264039	HD 4	1	Airsuction profile
1-6	9263055	HD 4	1	Protection profile (plastic)	21	9264022	HD 5	1	Airsuction profile
1-6	9263056	HD 5	1	Protection profile (plastic)	22	8065038	All models	2	Door handle
2	92621505	HD 3	1	Glass, top side	23	9184253	All models	2	Bumper profile
2	92621535	HD 4	1	Glass, top side	24	9086207	All models	2	Bumper
2	92621575	HD 5	1	Glass, top side	25	0147674	All models	4	Screw M 4x25, SS cross recess head (philips)
3	9262161	HD 3	1	Gas spring 300 N	26	9264018	All models	1	Support, tray frame
3	9262161	HD 4	1	Gas spring 300 N	27	9264017	All models	2	Bracket, heating element
3	9262162	HD 5	1	Gas spring 400 N	28	9260420	HD 3	1	Inner housing
4	9262161	HD 3	1	Gas spring 300 N	28	9260415	HD 4	1	Inner housing
4	9262162	HD 4	1	Gas spring 400 N	28	9260410	HD 5	1	Inner housing
4	9262162	HD 5	1	Gas spring 400 N	29	9263040	HD 3	1	Protection profile (plastic)
5	9262304	All models	1	Console right, ass.	29	9263041	HD 4	1	Protection profile (plastic)
5-6	9268365	All models	set	Various fastening materials for consoles	29	9263042	HD 5	1	Protection profile (plastic)
6	9262305	All models	1	Console left, ass.	30	8071036	All models	2	Plug, end
6-6	9268365	All models	set	Various fastening materials for consoles	31	9263045	HD 3	1	Mounting profile
7	9265105	All models	1	Holder, sideglass right	31	9263046	HD 4	1	Mounting profile
8	9265104	All models	1	Holder, sideglass left	31	9263047	HD 5	1	Mounting profile
9	9265111	All models	2	Holder, sideglass front	32	9265108	HD 3	1	Front panel
10	92621525	All models	2	Side glass	32	9265109	HD 4	1	Front panel
11	9261056	All models	4	Protection cap	32	9265110	HD 5	1	Front panel
12	9264071	HD 3	1	Light fixture	33	9265102	All models	1	Side panel, left
12	9264066	HD 4	1	Light fixture	34	9265103	All models	1	Side panel, right
12	9264057	HD 5	1	Light fixture	35	9264000	All models	2	Side panel, frame
13	9263022	All models	1	Plug, top glass	36	9260401	All models	1	Water drawer
14	4288322	All models	8	Screw M5 x 10, SS socket button head	37	9264031	All models	1	Bracket, level sensor
					38	9262048	All models	1	Water level sensor, ass.
					39	9260403	All models	1	Middle section
					40	9264078	All models	1	Back panel, middle

Item	Part number	Model	Qty	Description
41	9087570	All models	10	Nut M 5, serrated
42	9181030	All models	4	Adjustable leg
43	9070028	All models	1	Connecting cable with plug
44	3701067	All models	1	Strain relief M32x1,5
45	3701068	All models	1	Nut, relief strain M32x1,5
46	9264090	HD 3	1	Cover profile, inner housing
46	9264085	HD 4	1	Cover profile, inner housing
46	9264075	HD 5	1	Cover profile, inner housing
47	9264084	All models	1	Side-plate, left
48	9264083	All models	1	Side-plate, right
49	9264091	HD 3	1	Panel, service side
49	9264086	HD 4	1	Panel, service side
49	9264076	HD 5	1	Panel, service side
50	9260240	HD 3	1	Back panel
50	9260242	HD 4	1	Back panel
50	9260244	HD 5	1	Back panel
51	9260241	HD 3	1	Back panel, right
51	9260243	HD 4	1	Back panel, right
51	9260245	HD 5	1	Back panel, right
52	9110917	All models	1	Indication plate

EMPTY PAGE

HOT DELI 3-4-5 PREMIUM SQUARE (HUMIDIFIED) COMPONENTS DRAWING



Item	Part number	Model	Qty	Description	Item	Part number	Model	Qty	Description
70	9264072	HD 3	1	Reflector	85	9264494	HD 3	1	Cover profile
70	9264067	HD 4	1	Reflector	85	9264497	HD 4	1	Cover profile
70	9264058	HD 5	1	Reflector	85	9264498	HD 5	1	Cover profile
71	9265022	HD 3	1	Mounting plate, ceramic element	86	9264046	HD 3	1	Exhaust profile
71	9265021	HD 4	1	Mounting plate, ceramic element	86	9264040	HD 4	1	Exhaust profile
71	9265020	HD 5	1	Mounting plate, ceramic element	86	9264023	HD 5	1	Exhaust profile
72	9181065	HD 3	3	Heating element, Ceramic, 150 W	87	9264024	HD 3	2	Profile, tray frame, long
72	9181065	HD 4	4	Heating element, Ceramic, 150 W	87	9264024	HD 4	3	Profile, tray frame, long
72	9181065	HD 5	5	Heating element, Ceramic, 150 W	87	9264024	HD 5	4	Profile, tray frame, long
73	9262045	HD 3	2	Protection, lamp	88	9264025	HD 3	3	Profile, tray frame, small
73	9262045	HD 4	3	Protection, lamp	88	9264025	HD 4	4	Profile, tray frame, small
73	9262045	HD 5	4	Protection, lamp	88	9264025	HD 5	5	Profile, tray frame, small
74	9264060	HD 3	2	Bracket, lamp holder	89	9260404	All models	1	Door, water drawer
74	9264060	HD 4	3	Bracket, lamp holder	90	9264100	All models	1	Mounting plate, electrical components
74	9264060	HD 5	4	Bracket, lamp holder	91	9262072	All models	1	Water level control, electronic
75	9211016	HD 3	2	Lamp holder	92	0141204	All models	2	Screw M 4x16, SS cross recess head (philips)
75	9211016	HD 4	3	Lamp holder	93	9040659	All models	2	Spacing pin, nylon
75	9211016	HD 5	4	Lamp holder	94	0142307	All models	2	Nut M 4 SS
76	9261002	HD 3	2	Lamp, Halogen 100 W	95	9264113	All models	1	Cover plate, electric components
76	9261002	HD 4	3	Lamp, Halogen 100 W	96	0141204	All models	2	Screw M 4x16, SS cross recess head (philips)
76	9261002	HD 5	4	Lamp, Halogen 100 W	97	9264120	All models	1	Fastening plate, fuse holder
77	9261029	HD 3	2	Wingscrew M5x10, SS	98	9261019	All models	2	Fuse holder
77	9261029	HD 4	3	Wingscrew M5x10, SS	99	9261018	All models	2	Fuse 6,3x32, ceramic T15A
77	9261029	HD 5	4	Wingscrew M5x10, SS	100	9260402	All models	1	Cover, housing heating elements
78	9260233	HD 3	1	Keypad + backplate	101	9264030	All models	1	End plate, water drawer
78	9260234	HD 4	1	Keypad + backplate	102	9264029	All models	1	Cover plate
78	9260235	HD 5	1	Keypad + backplate	103	9264026	All models	1	Housing, heating elements
78	9260236	HD 7	1	Keypad + backplate	104	9182083	All models	1	Heating element, 300 W
78-1	9262010	HD 3	1	Keypad	105	9182082	All models	1	Heating element, 600 W
78-1	9262011	HD 4	1	Keypad	106	9182000	All models	2	Heating element, 1500 W
78-1	9262012	HD 5	1	Keypad	107	0169197	All models	8	Gasket, heating element
78-1	9262013	HD 7	1	Keypad	108	0169189	All models	8	Nut, heating element
78-2	9264095	All models	1	Backplate	109	9260421	HD 3	1	Air deflector
79	9262057	All models	1	CPU/display board	109	9260416	HD 4	1	Air deflector
80	9262027	All models	1	Flatcable	109	9260411	HD 5	1	Air deflector
81	9262067	All models	1	Power & I/O board	110	9264044	HD 3	1	Protection plate
82	9264081	All models	1	Mounting plate	110	9264038	HD 4	1	Protection plate
83	9264082	All models	1	Cover	110	9264019	HD 5	1	Protection plate
84	9264493	All models	4	Bracket	111	9263020	All models	1	Drain pipe
					112	9182065	All models	1	Seal ring
					113	9008542	All models	1	Nut M 12 SS
					114	9261062S	All models	2	Blower set
					114-1	9261062	All models	2	Blower
					114-2	9264180	All models	2	Mounting bracket
					114-3	9264181	All models	2	Intake duct
					114-4	3701027	All models	4	Blind rivet 3.2x6,4

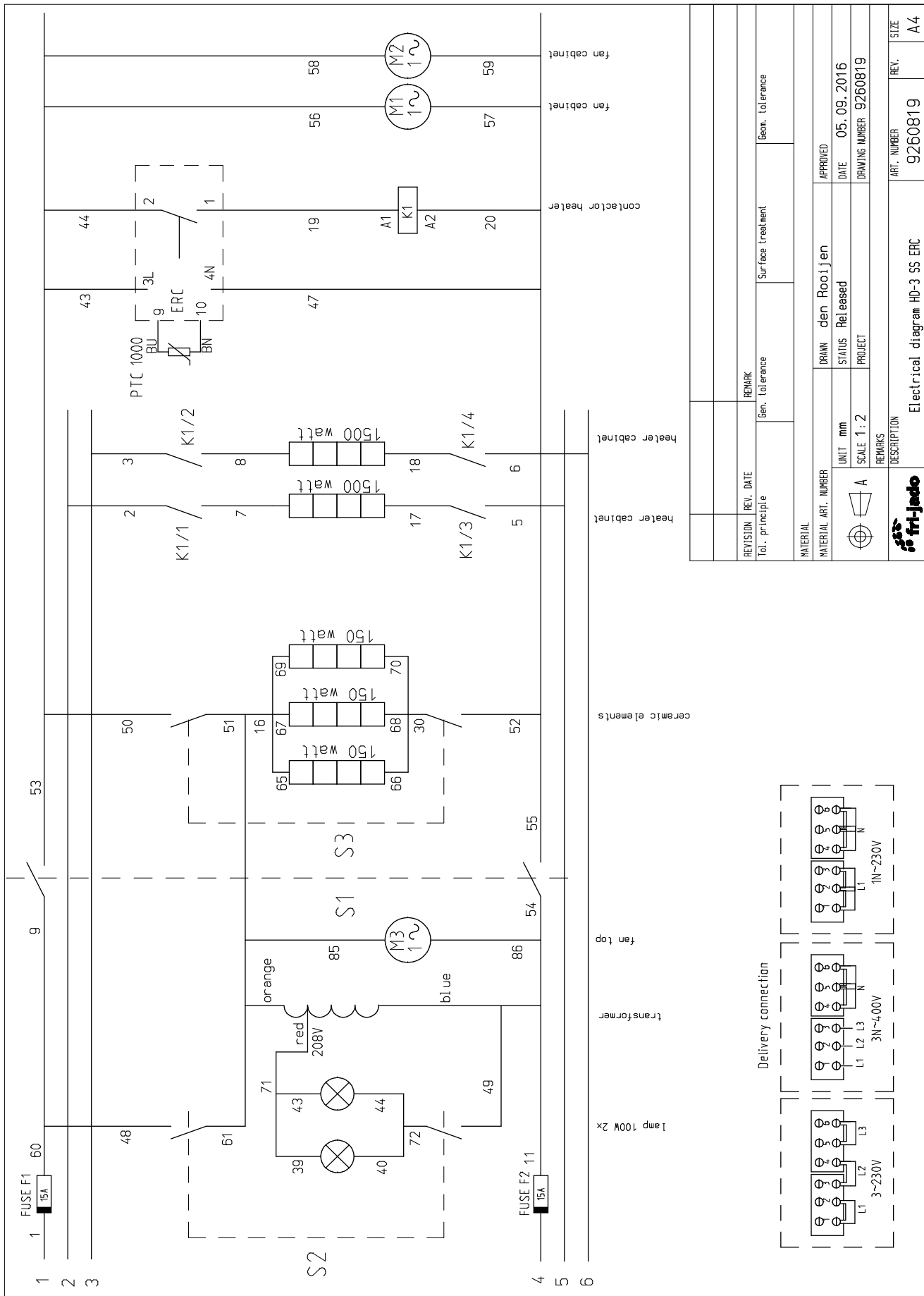
Note on item 114! The Merchandisers till serial number 100075098 have different blowers, mounting brackets and intake ducts. Therefore you need the whole blower set 926.... if you need to change the blower.

Item	Part number	Model	Qty	Description
115	3701027	All models	6	Pop rivet 3,2 mm SS
116	9172310	All models	1	Temperature sensor PT 1000
117	9264021	All models	4	Clamping profile
118	9053000	All models	2	Blower
119	9262070	All models	1	Terminal block with bracket
120	9044564	All models	1	Connecting block, 1,2,3
121	9044572	All models	1	Connecting block, 4,5,6
122	3500069	All models	1	Contactora
123	9262080	All models	1	Ring core transformer 230-208 V
124	0141204	All models	2	Screw M 4x16, SS cross recess head (philips)
125	0142307	All models	2	Nut M 4 SS

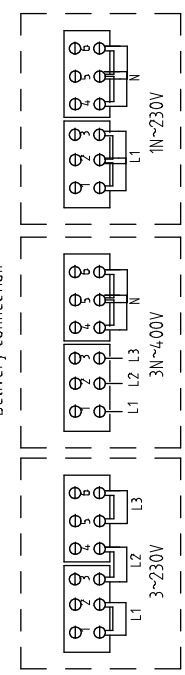
EMPTY PAGE

ELECTRICAL DIAGRAMS

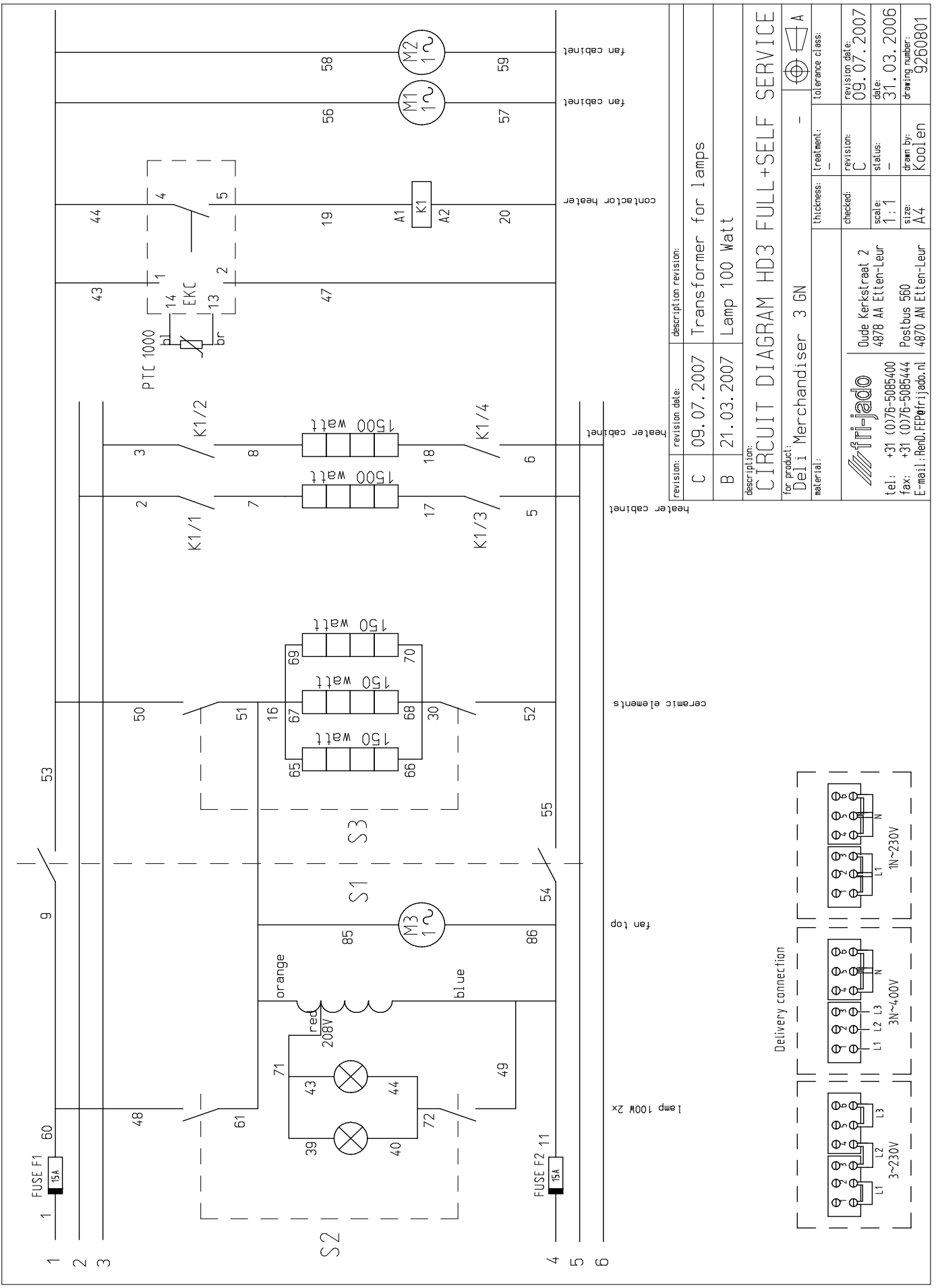
CIRCUIT DIAGRAM HD 3 ESSENTIAL (FULL SERVICE) & SELF SERVICE



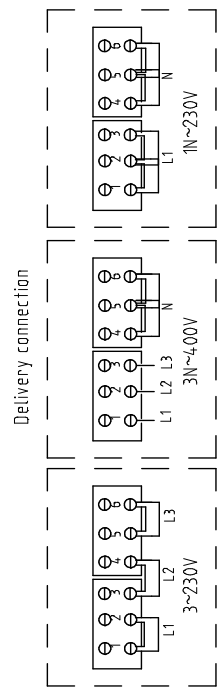
REVISION	REV. DATE	REMARK	Geom. tolerance	Geom. tolerance
Tot. principle		Geom. tolerance	Surface treatment	
MATERIAL				
MATERIAL ART. NUMBER	DRAMN	den Rooijen	APPROVED	
UNIT mm	STATUS	Released	DATE	05.09.2016
SCALE 1 : 2	PROJECT		DRAWING NUMBER	9260819
REMARKS		DESCRIPTION		
		Electrical diagram HD-3 SS ERC		
ART. NUMBER	REV.	SIZE		
9260819		A4		



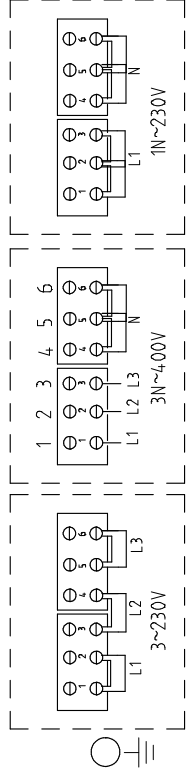
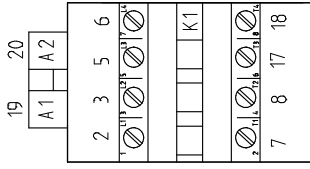
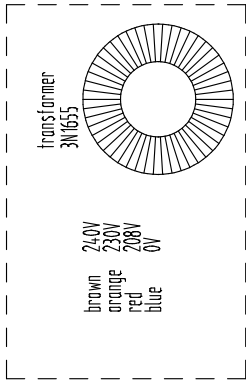
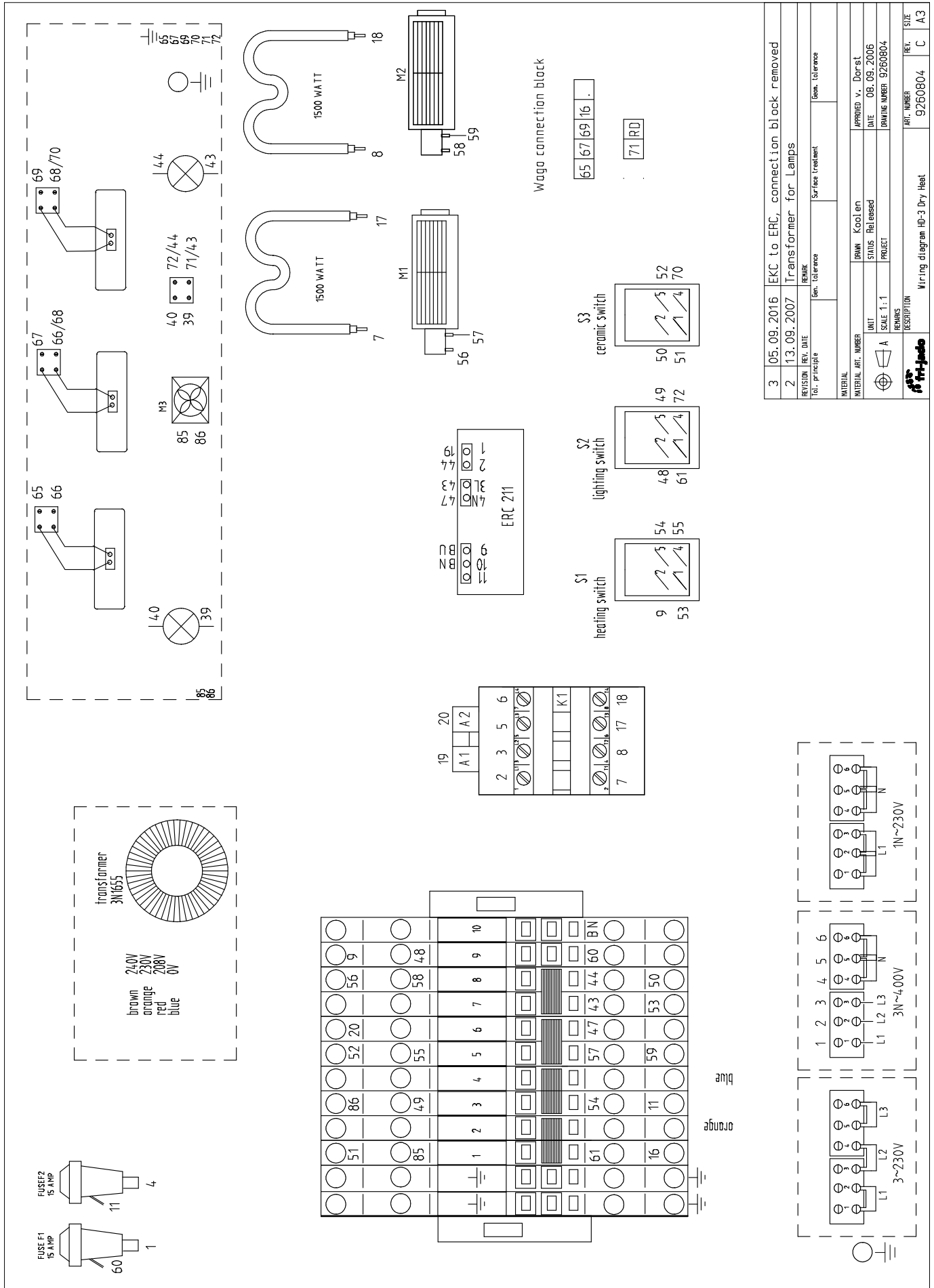
CIRCUIT DIAGRAM HD 3 ESSENTIAL (FULL SEVICE) & SELF SERVICE TILL SERIAL NUMBER 100080408



revision:	C	revision date:	09.07.2007	description revision:	Transformer for lamps
	B		21.03.2007		Lamp 100 Watt
description: CIRCUIT DIAGRAM HD3 FULL+SELF SERVICE					
for product: Deli Merchandiser 3 GN					
material:		thickness:	-	treatment:	-
		checked:	C	revision:	C
		scale:	1:1	status:	-
		tel:	+31 (0)76-5085400	revision date:	09.07.2007
		fax:	+31 (0)76-5085444	date:	31.03.2006
		E-mail:	RenD.FE@fri-jado.nl	drawn by:	Koolen
			4878 AA Etten-Leur	size:	A4
			Postbus 560	drawing number:	9260801
			4870 AN Etten-Leur		

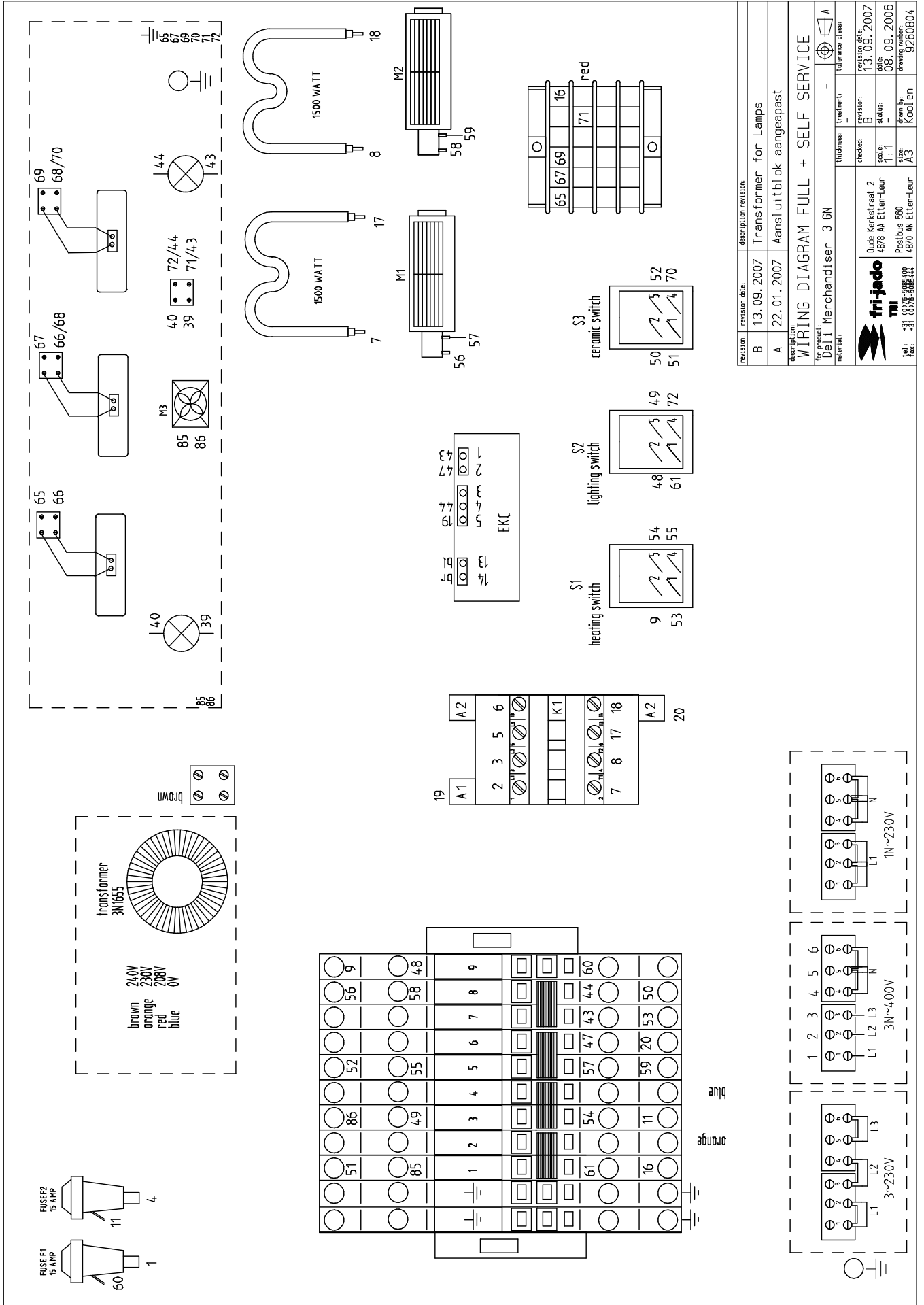


WIRING DIAGRAM HD 3 ESSENTIAL (FULL SERVICE) & SELF SERVICE



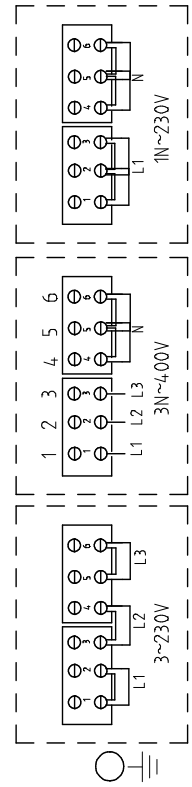
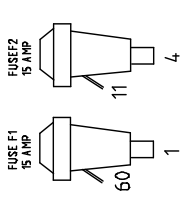
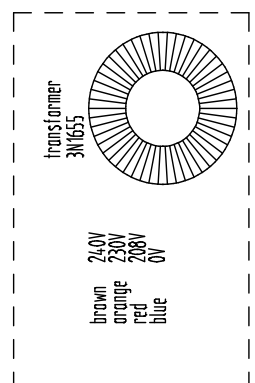
3	05.09.2016	EKC to ERC, connection block removed
2	13.09.2007	Transformer for Lamps
REVISION: REF. DATE		REMARK
No. principle		Gen. tolerance
		Surface treatment
		Gen. tolerance
MATERIAL		
MATERIAL ART. NUMBER	DRWN	Koolen
	APPROVED v.	Dorst
	DATE	08.09.2006
	STATUS	Released
	PROJECT	DRWING NUMBER: 9260804
	SCALE	1:1
REMARKS		
Wiring diagram HD-3 Dry Heat		
ART. NUMBER	REV.	SIZE
9260804	C	A3

WIRING DIAGRAM HD 3 ESSENTIAL (FULL SERVICE) & SELF SERVICE TILL SERIAL NR. 100080408

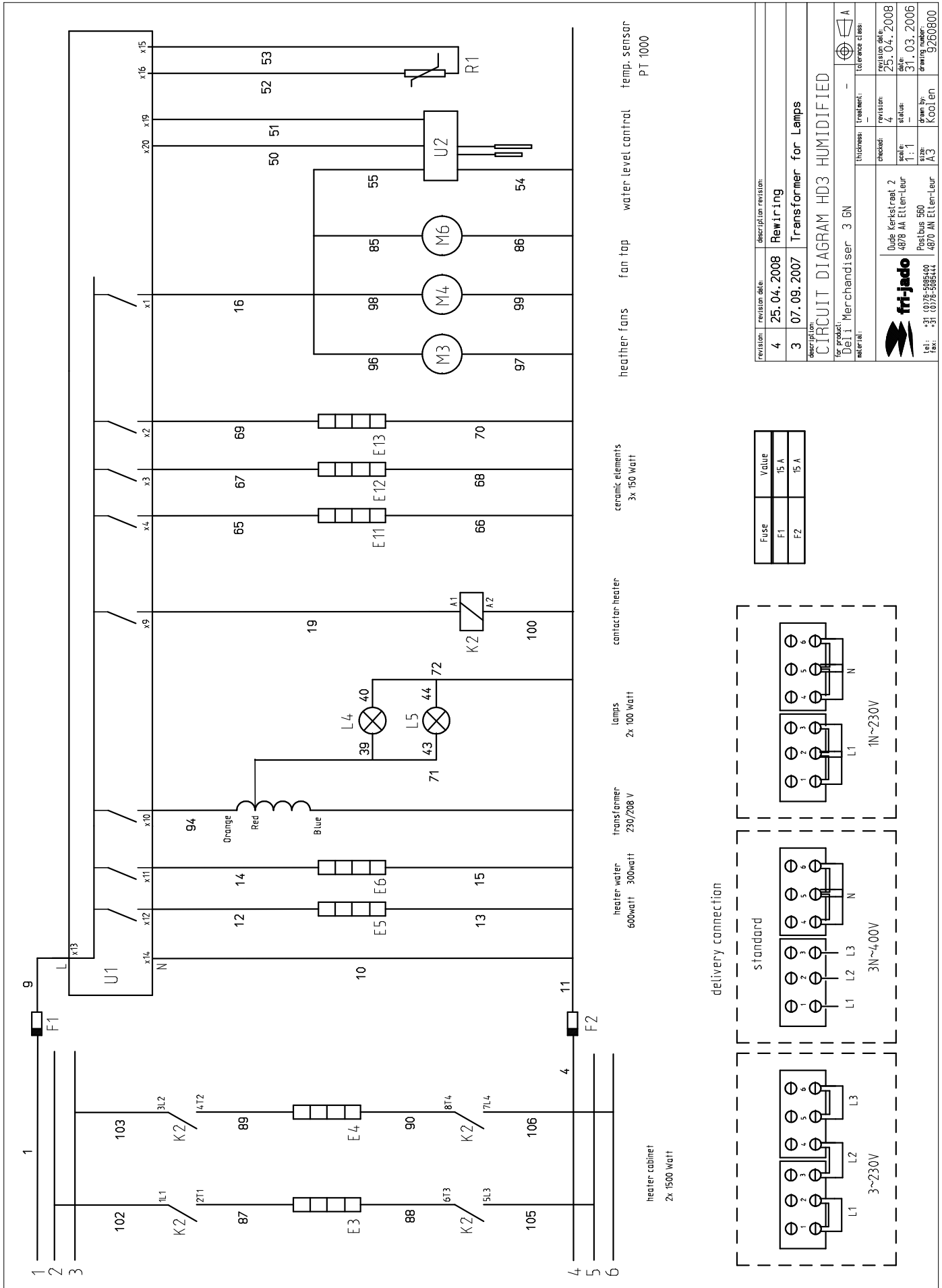


revision:	revision date:	description revision:
B	13.09.2007	Transformer for Lamps
A	22.01.2007	Aansluitblok aangepast
description: WIRING DIAGRAM FULL + SELF SERVICE		
for product: Deli Merchandise 3 GN		
checked:	checked:	checked:
status:	status:	status:
scale:	scale:	scale:
1:1	1:1	1:1
drawn by:	drawn by:	drawn by:
AS	AS	AS
checked:	checked:	checked:
status:	status:	status:
13.09.2007	13.09.2007	13.09.2007
08.09.2006	08.09.2006	08.09.2006
9200804	9200804	9200804

fri-jado
MI
 Dude Kerksstraat 2
 4878 AA Ellen-Leur
 Postbus 560
 4870 AN Ellen-Leur
 t.el: +31 (0)76-5085400
 f.el: +31 (0)76-5085444



CIRCUIT DIAGRAM HD 3 PREMIUM (HUMIDIFIED)



revision:	revision date:	description revision:
4	25.04.2008	Rewiring
3	07.09.2007	Transformer for Lamps

description: CIRCUIT DIAGRAM HD3 HUMIDIFIED

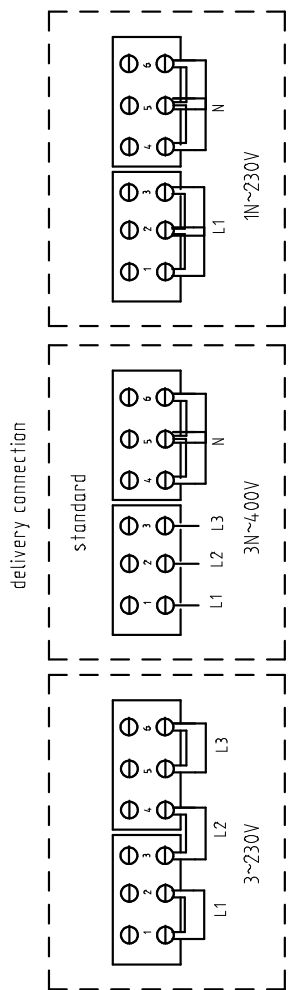
for product:	material:	thickness:	treatment:	tolerance class:
Deli Merchandiser	3 GN	-	-	A

checked:	revision:	revision date:
Udo Kerschke	4	25.04.2008

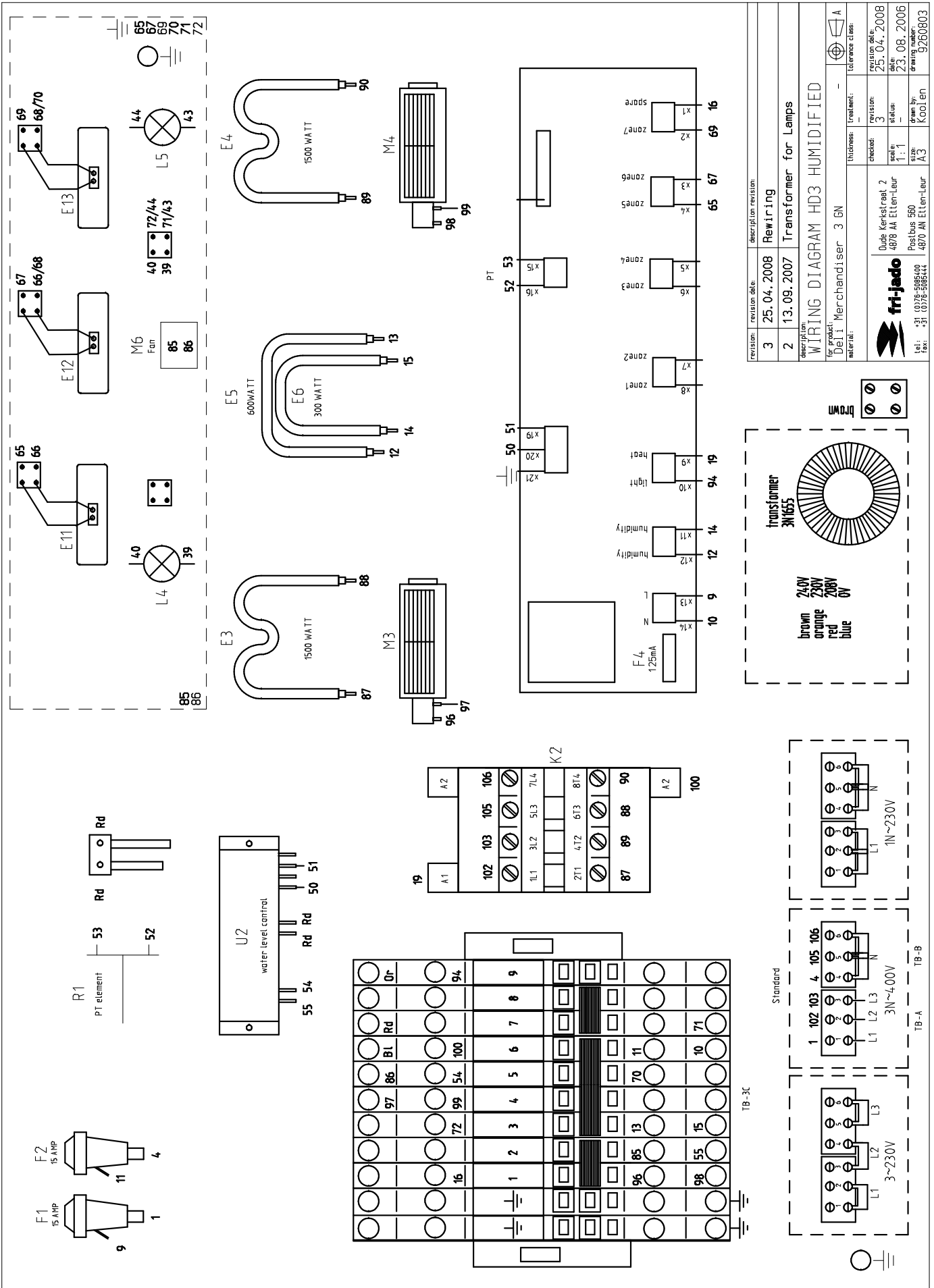
scale:	date:	size:	drawn by:	drawing number:
1:1	-	A3	Koelen	9260800

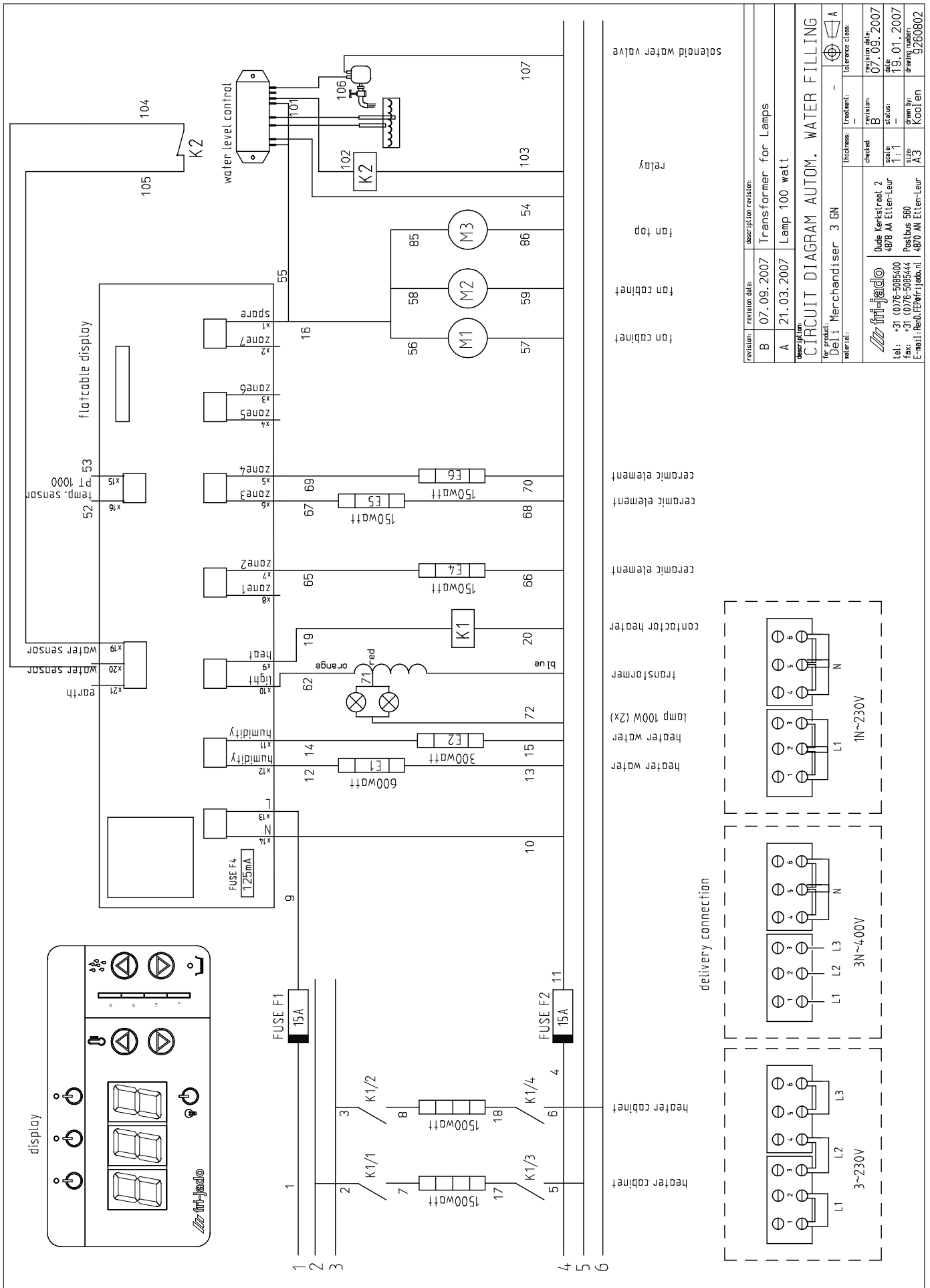
rel. no.: 31 07/05-5885400
Gen. no.: 31 07/05-5885444

Fuse	Value
F1	15 A
F2	15 A



WIRING DIAGRAM HD 3 PREMIUM (HUMIDIFIED)



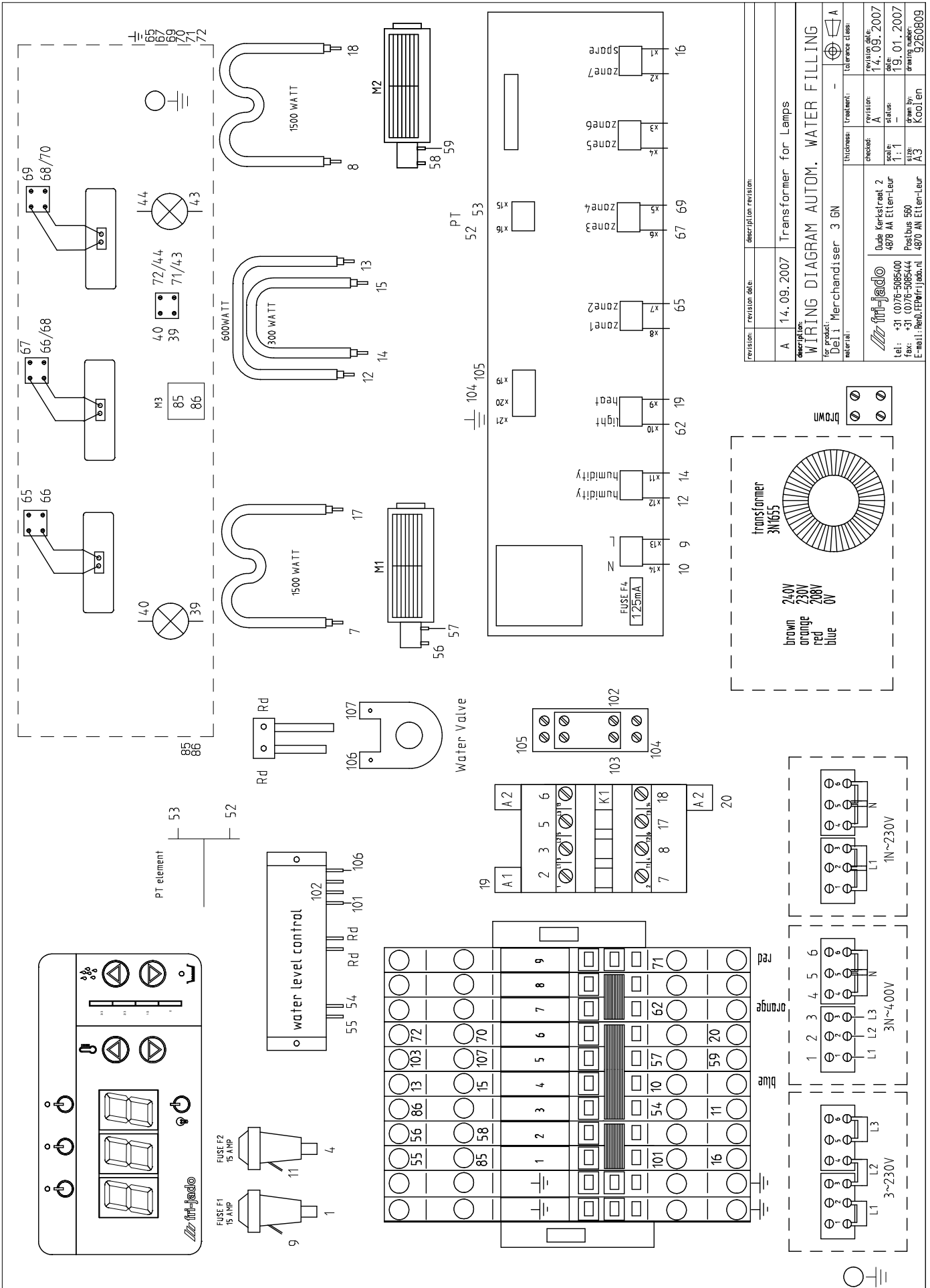
CIRCUIT DIAGRAM HD 3 PREMIUM (HUMIDIFIED), AUTOMATIC WATER FILLING


revision:	revision date:	description/revision:
B	07.09.2007	Transformer for Lamps
A	21.03.2007	Lamp 100 watt

check/revision:		checked:	revision date:
for product:		Dude Kerksraet 2	07.09.2007
material:		4878 AA Etten-Leur	scale
		Postbus 560	1:1
		4870 AN Etten-Leur	drawn by:
			Koolen
			drawing number:
			9260802

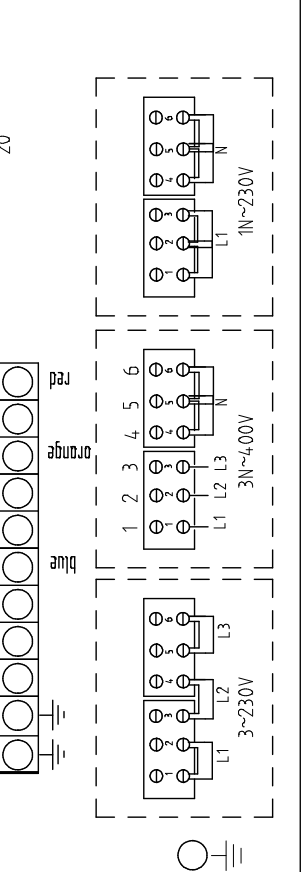
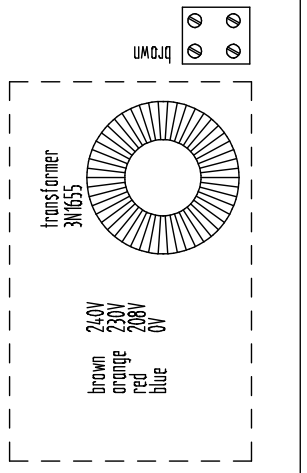
description:	thickness:	material:	tolerance class:
CIRCUIT DIAGRAM AUTOM. WATER FILLING	-	-	-

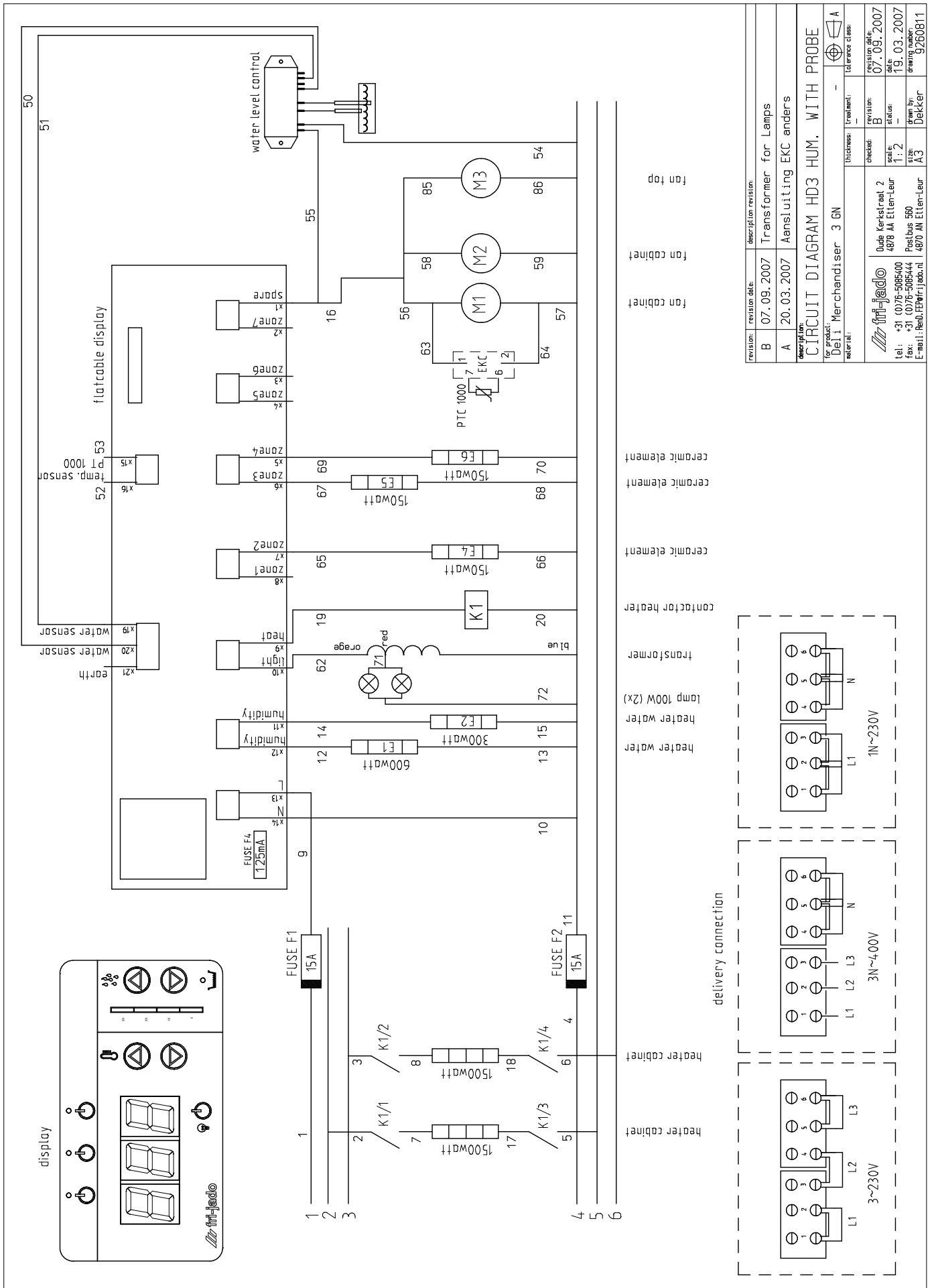
WIRING DIAGRAM HD 3 PREMIUM (HUMIDIFIED), AUTOMATIC WATER FILLING



revision	revision date	description	revision	revision date	checked	revision	revision date	checked	revision	revision date	checked	revision	revision date
A	14.09.2007	Transformer for Lamps	A	14.09.2007		A	14.09.2007		A	14.09.2007		A	14.09.2007

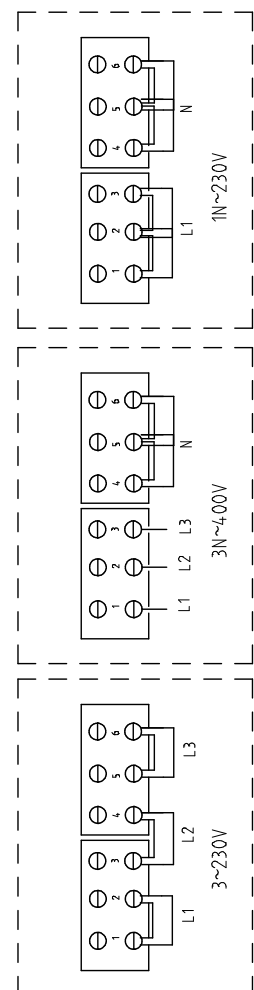
DESCRIPTION: WIRING DIAGRAM AUTOM. WATER FILLING
for product: Deli Merchandise 3 GN
material: Oude Kerksraet 2 4878 AA Etten-Leur
 Tel: +31 (0)76-5085400 Postbus 960
 Fax: +31 (0)76-5085444
 E-mail: Henk.Hof@fri-jado.nl 4870 AN Etten-Leur
 drawing number: 9260809



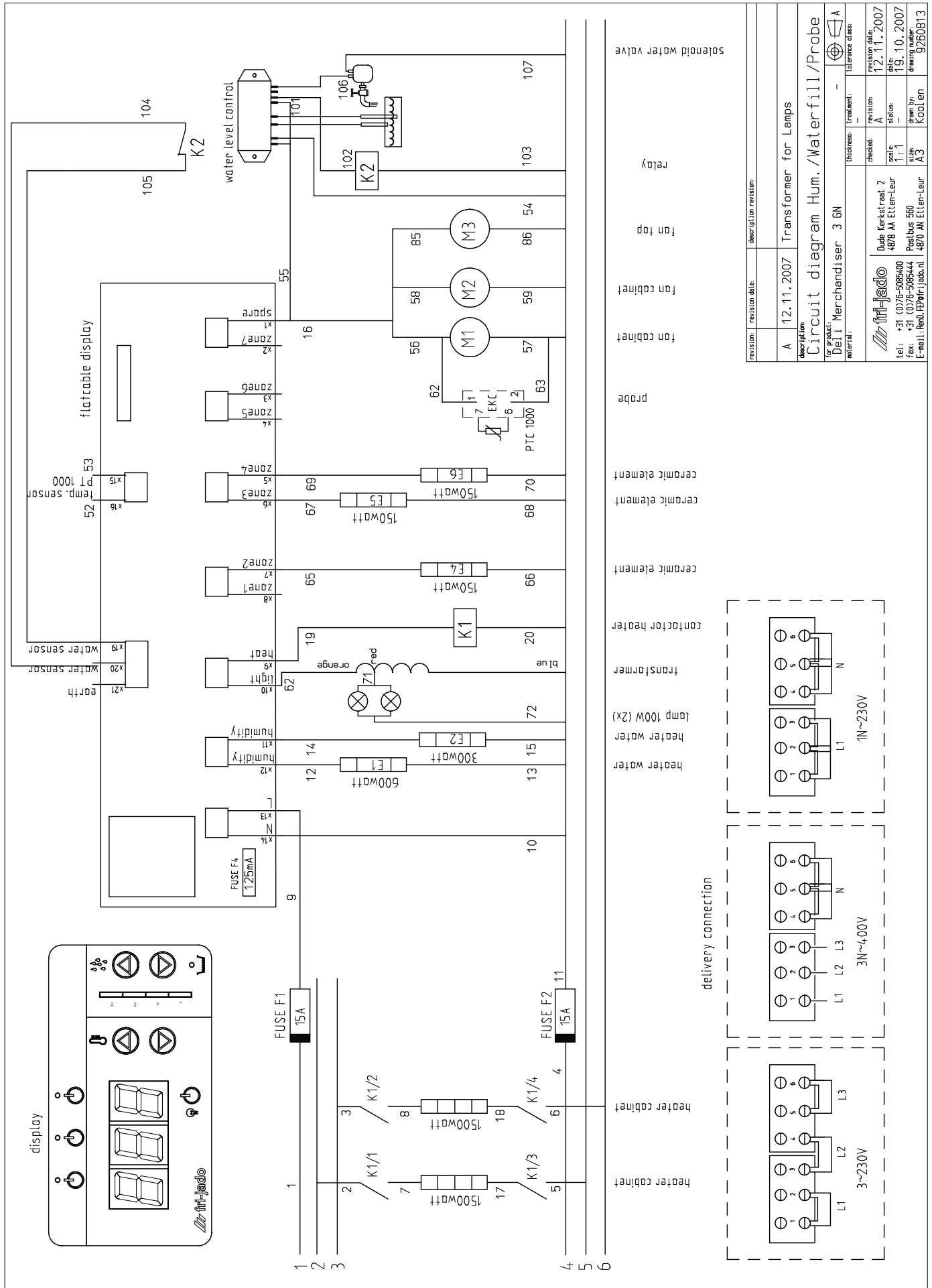
CIRCUIT DIAGRAM HD 3 PREMIUM (HUMIDIFIED) WITH PROBE


revision:	revision date:	description revision:
B	07.09.2007	Transformer for Lamps
A	20.03.2007	Aansluiting EKC anders

description:		thickness:	tolerance class:
CIRCUIT DIAGRAM HD3 HUM. WITH PROBE		-	-
for product:		checked:	revision date:
Deli Merchandiser 3 GN		B	07.09.2007
material:		scale:	status:
fri-jado		1:2	19.03.2007
Dude Kerstraat 2		size:	drawn by:
Tel: +31 (0)76-5065400		4870 AN Eillen-Leur	Dekker
Fax: +31 (0)76-5065444		4870 AN Eillen-Leur	9260811
E-mail: Henk.Frijns@fri-jado.nl			



CIRCUIT DIAGRAM HD 3 PREMIUM (HUMIDIFIED) WITH PROBE, AUTOM. WATER FILLING

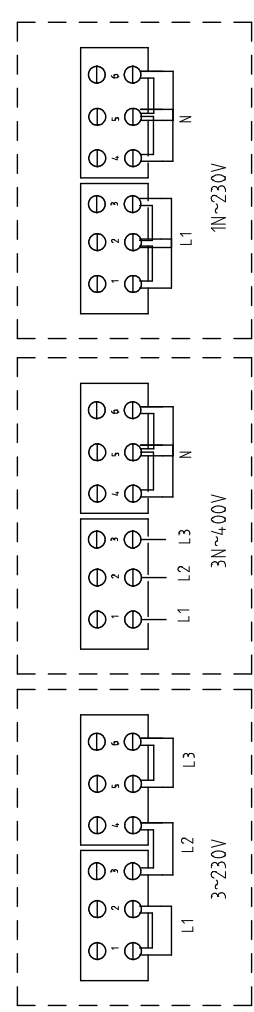


revision:	revision date:	description revision:
A	12.11.2007	Transformer for Lamps

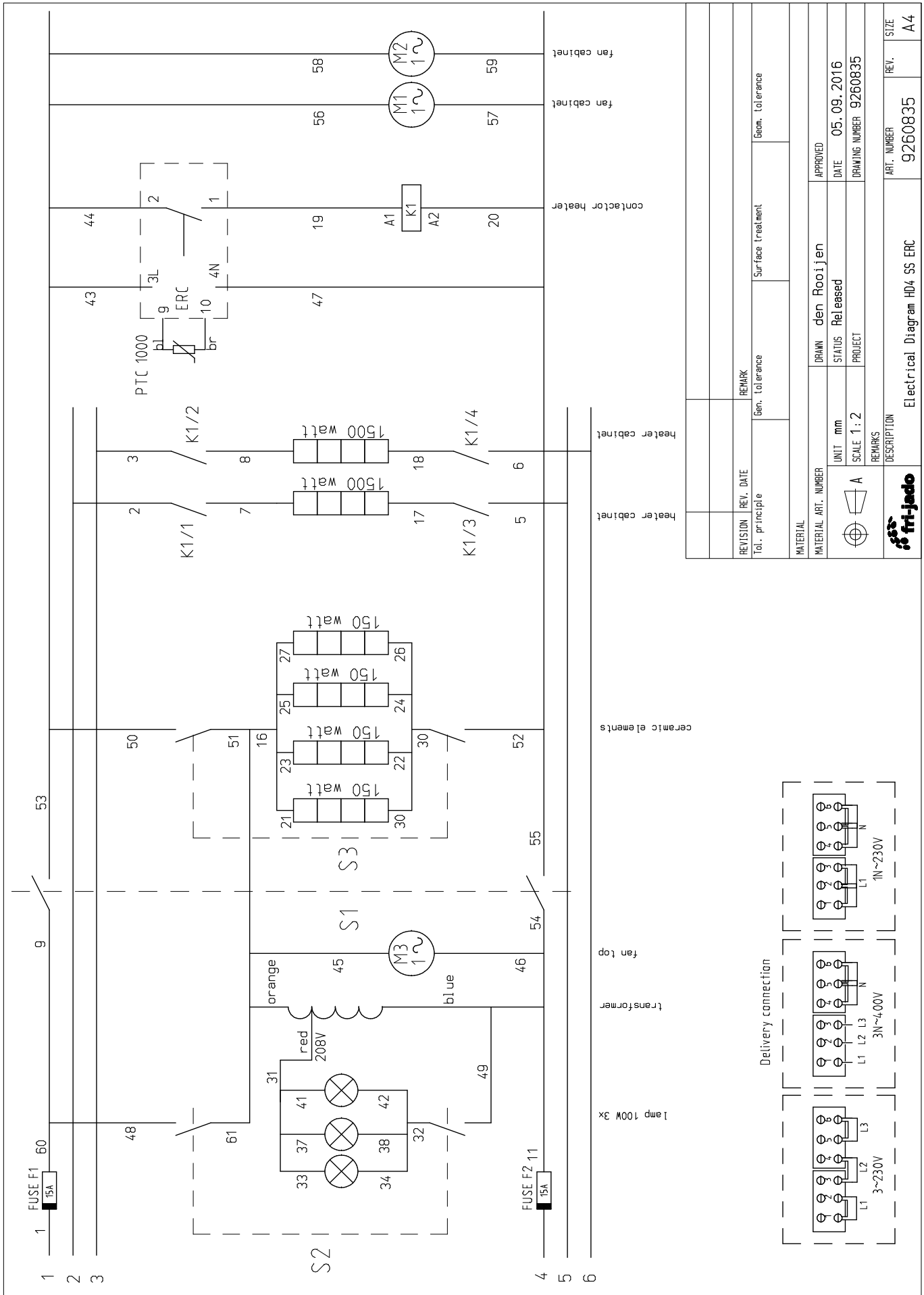
description:	
Circuit diagram Hum./Waterfill/Probe	
for product:	Deli Merchandiser 3 GN
material:	

checked:	revision:	revision date:	tolerance class:
	A	12.11.2007	
scale:	status:	date:	drawn by:
1:1	-	19.10.2007	Koolen
size:	drawn number:	drawn date:	drawn number:
A3	9260813		

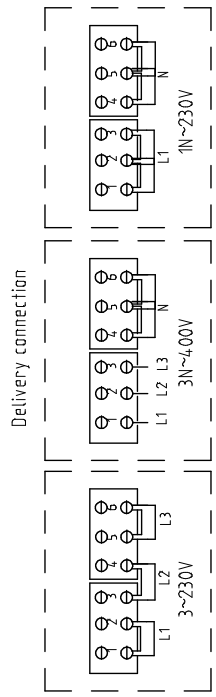
Oude Kerksstraat 2 4878 AA Etten-Leur Tel: +31 (0)76-5085400 Fax: +31 (0)76-5085444 E-mail: Help@Frijado.nl	



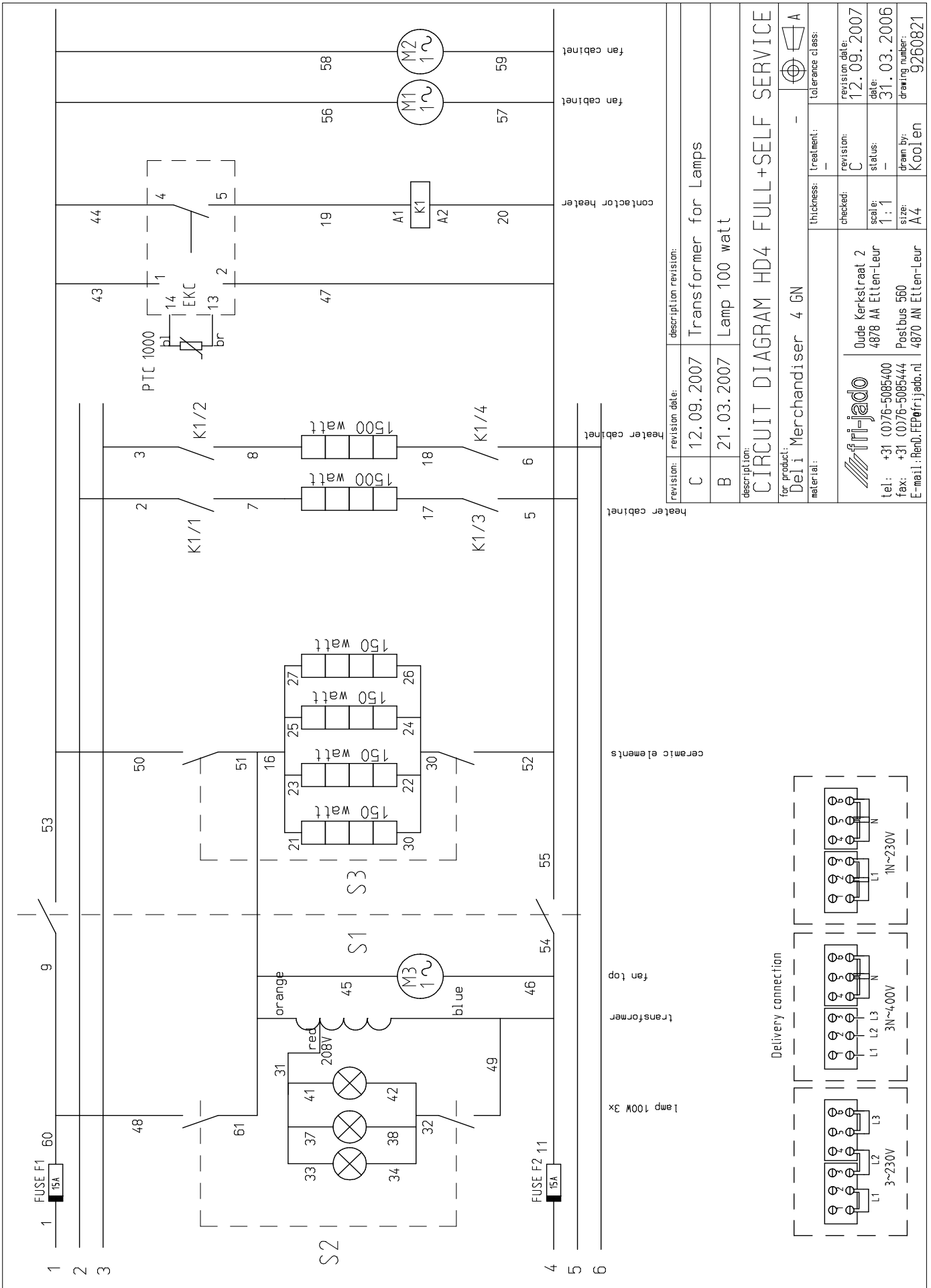
CIRCUIT DIAGRAM HD 4 ESSENTIAL (FULL SERVICE) & SELF SERVICE



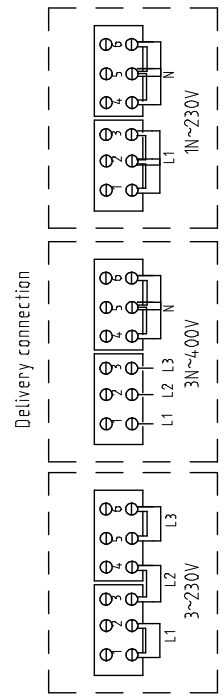
REVISION	REV. DATE	REMARK		
Tol. principle		Gen. tolerance	Surface Treatment	Geom. tolerance
MATERIAL				
MATERIAL ART. NUMBER	DRAWN	den Rooijen	APPROVED	
UNIT mm	STATUS	Released	DATE	05.09.2016
SCALE 1:2	PROJECT		DRAWING NUMBER	9260835
REMARKS		DESCRIPTION		ART. NUMBER
		Electrical Diagram HD4 SS ERC		9260835
				REV.
				A4



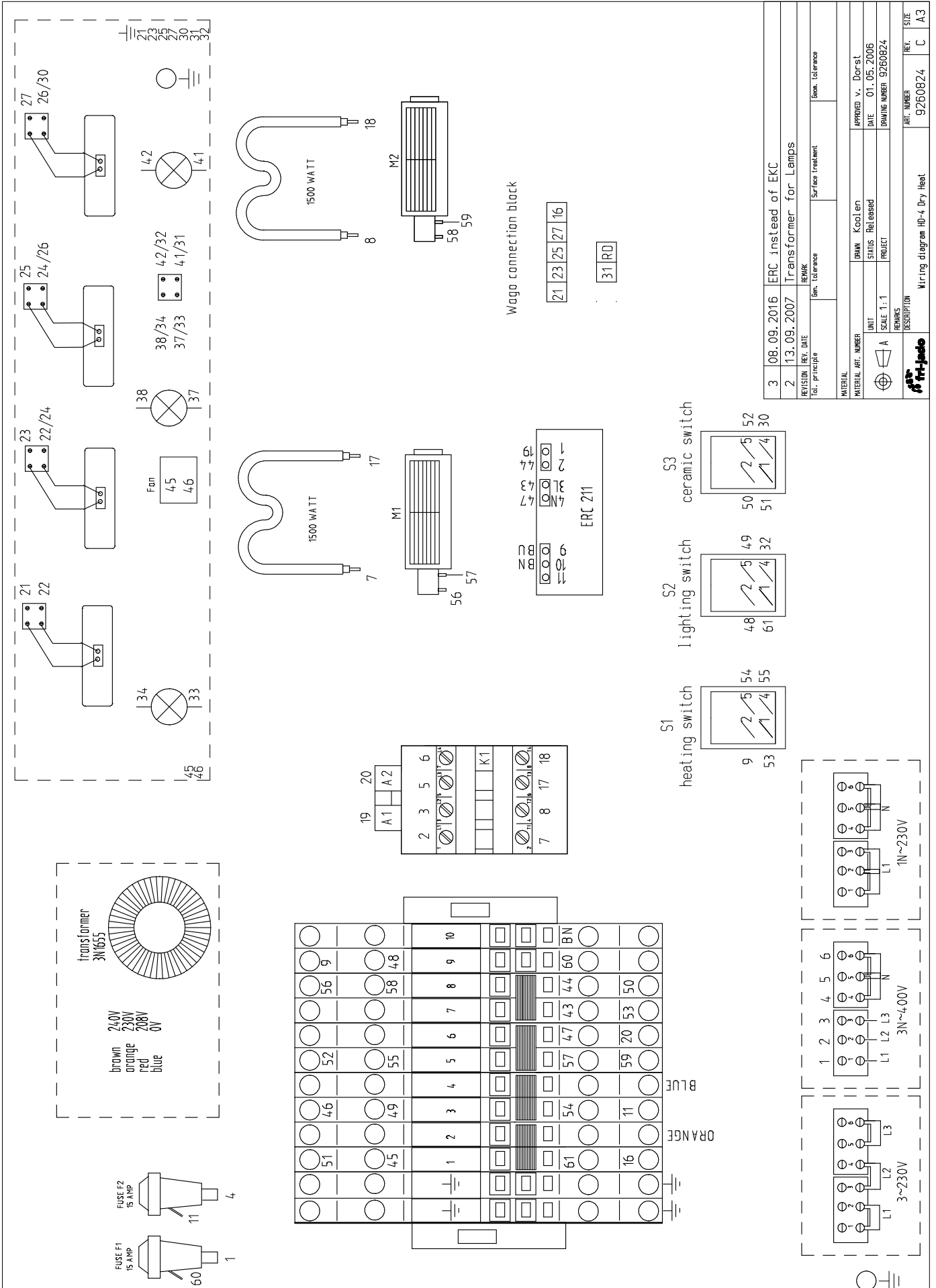
CIRCUIT DIAGRAM HD 4 ESSENTIAL (FULL SERVICE) & SELF SERVICE TILL SERIAL NUMBER 100080408



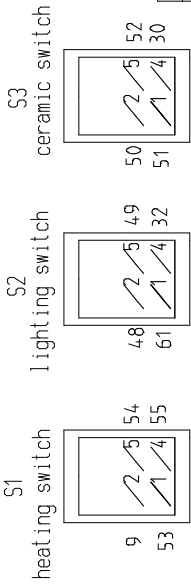
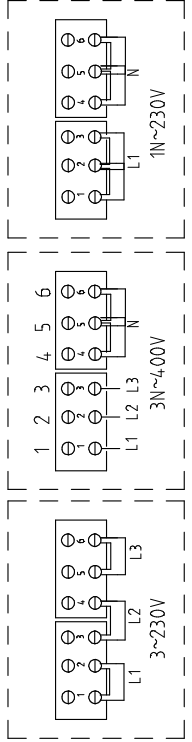
revision:	C	revision date:	12.09.2007	description revision:	Transformer for Lamps
	B		21.03.2007		Lamp 100 watt
description: CIRCUIT DIAGRAM HD4 FULL+SELF SERVICE					
for product: Deli Merchandiser 4 GN					
material:		thickness:		treatment:	-
		checked:		revision:	C
		scale:	1:1	status:	-
		size:	A4	drawn by:	Koolen
		tolerance class:		revision date:	12.09.2007
				date:	31.03.2006
				drawing number:	9260821



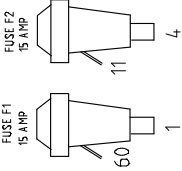
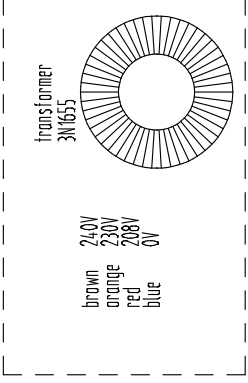
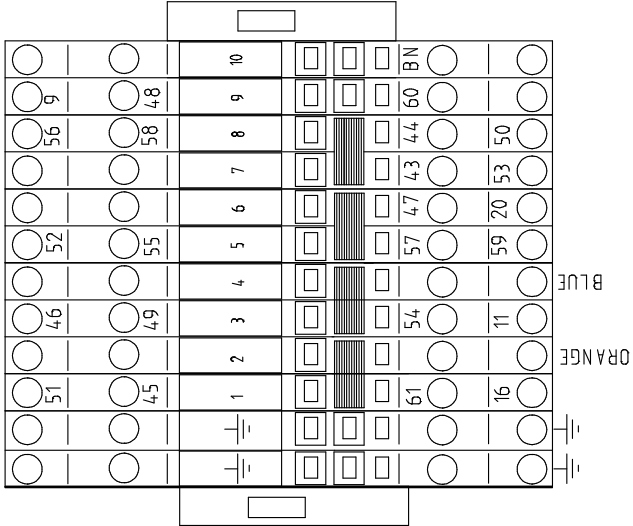
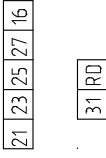
WIRING DIAGRAM HD 4 ESSENTIAL (FULL SERVICE) & SELF SERVICE



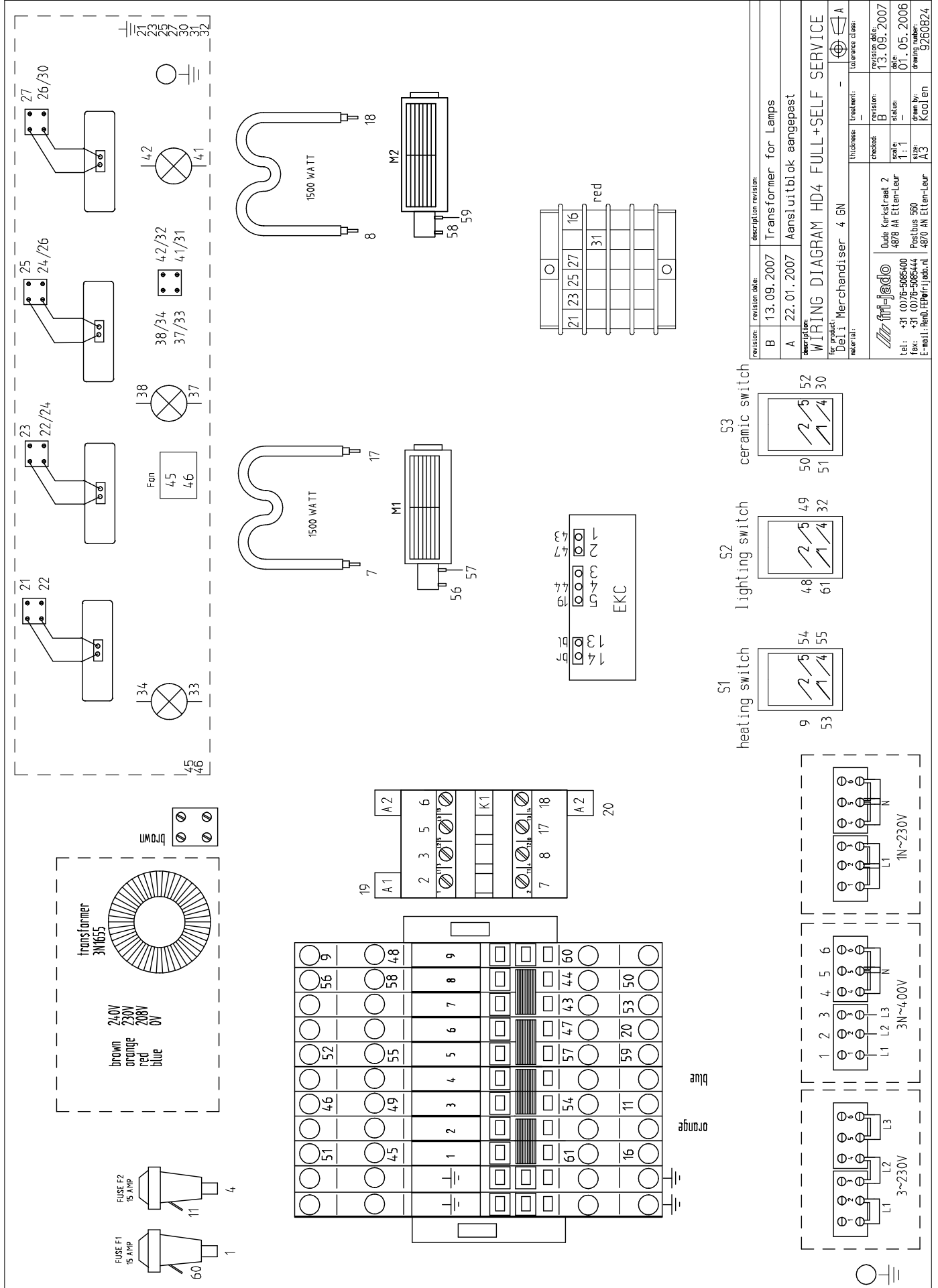
3	08.09.2016	ERC instead of EKC
2	13.09.2007	Transformer for Lamps
REVISION REV. DATE		
Tol. principle		
Gen. tolerance		
Surface treatment		
Geom. tolerance		
MATERIAL		
MATERIAL ART. NUMBER	DRAWN	Koolen
UNIT	STATUS	Released
SCALE 1:1	DATE	01.05.2005
PROJECT	DRAWING NUMBER	9260824
REVISION DESCRIPTION	ART. NUMBER	9260824
REV. SIZE	REV. SIZE	C A3



Wago connection block



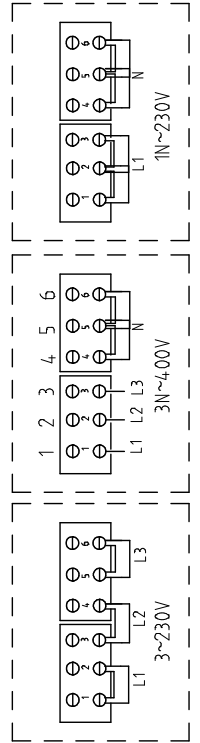
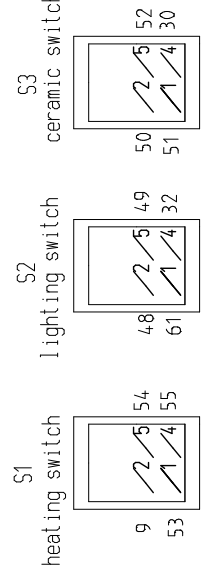
WIRING DIAGRAM HD 4 ESSENTIAL (FULL SERVICE) & SELF SERVICE TILL SERIAL NUMBER 10080408



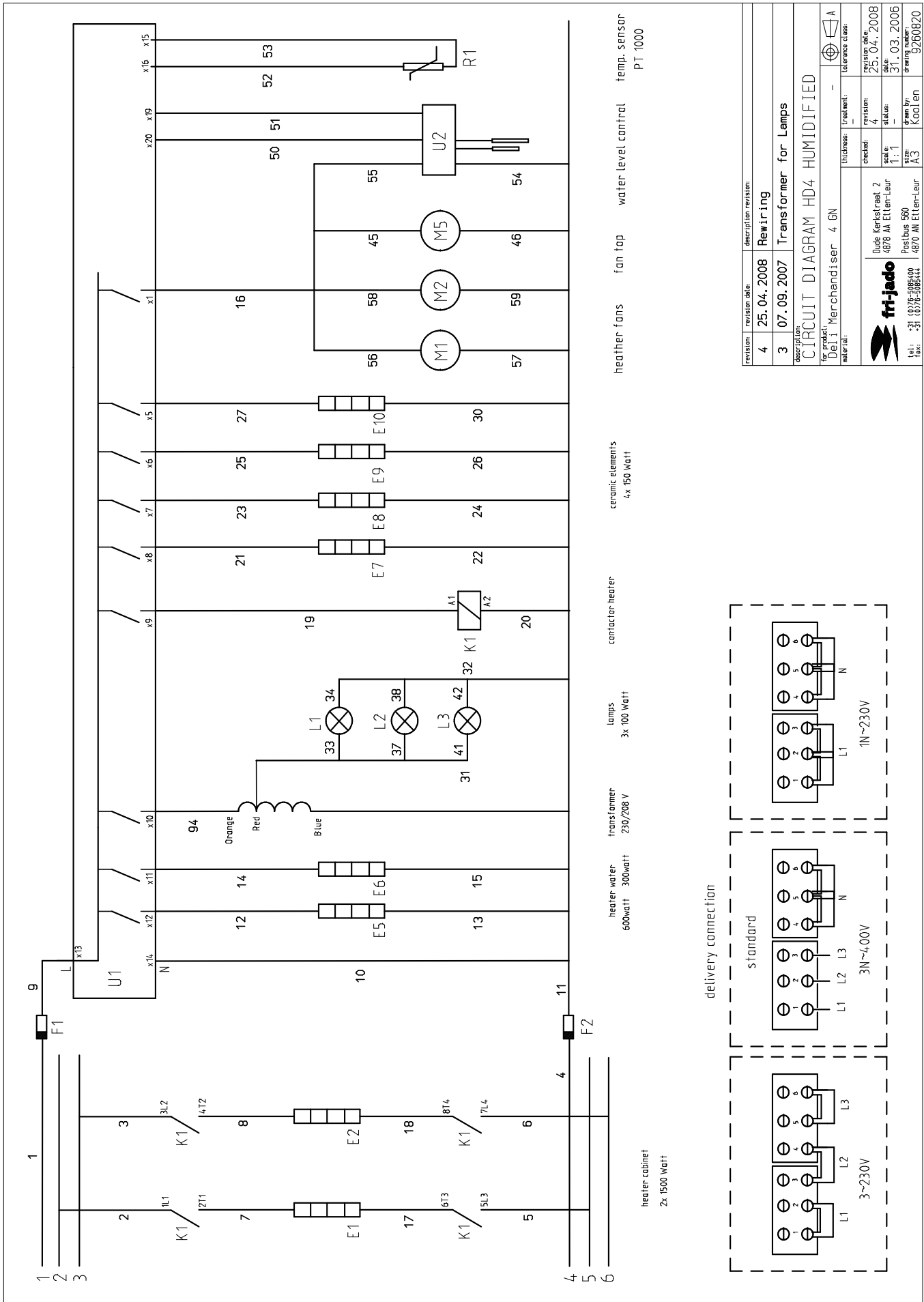
revision	revision date	description revision
B	13.09.2007	Transformer for Lamps
A	22.01.2007	Aansluitblok aangepast

description: WIRING DIAGRAM HD4 FULL+SELF SERVICE
for product: Deli Merchandise 4 GN
material:

checked:	revision:	revision date:
B	B	13.09.2007
scale:	status:	date:
1:1	-	01.05.2006
size:	drawn by:	drawing number:
A3	Koolen	9260824



CIRCUIT DIAGRAM HD 4 PREMIUM (HUMIDIFIED)



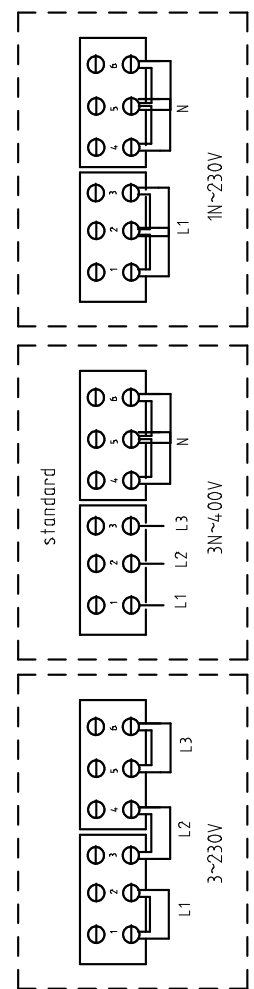
revision:	revision date:	description/revision:
4	25.04.2008	Rewiring
3	07.09.2007	Transformer for Lamps

description: CIRCUIT DIAGRAM HD4 HUMIDIFIED
 for product: Deli Merchandise 4 GN
 material:

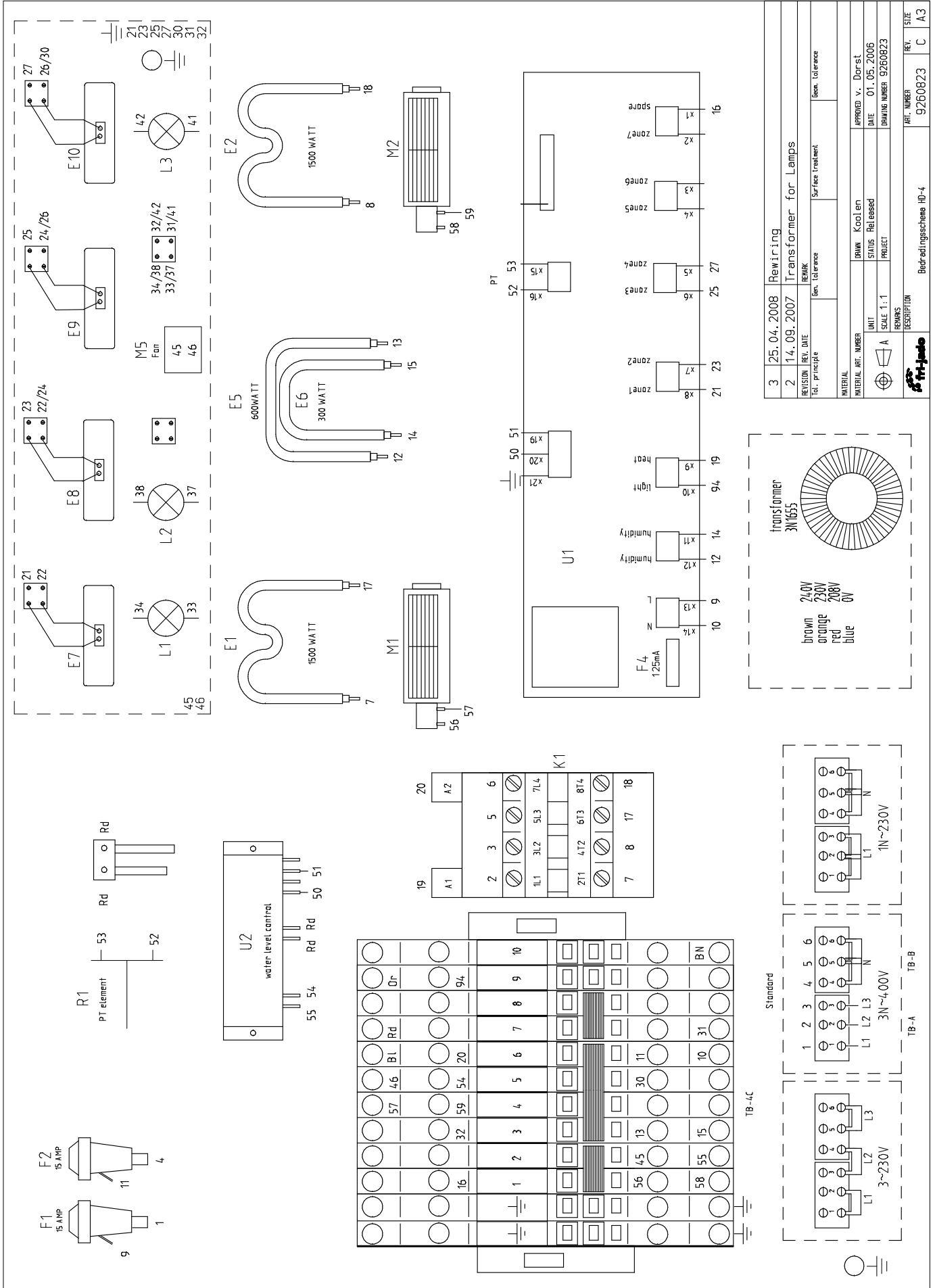
checked:	revision:	revision date:	scale:	status:	date:	drawn by:	size:	drawing number:
	4	25.04.2008	1:1		31.03.2006	Koolen	A3	9260920

tolerance class: A
 thickness: -
 treatment: -
 checked: 4
 revision: 4
 revision date: 25.04.2008
 scale: 1:1
 status: -
 date: 31.03.2006
 drawn by: Koolen
 size: A3
 drawing number: 9260920

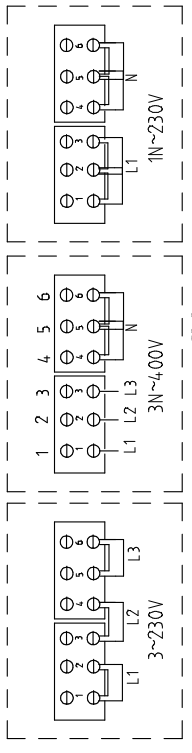
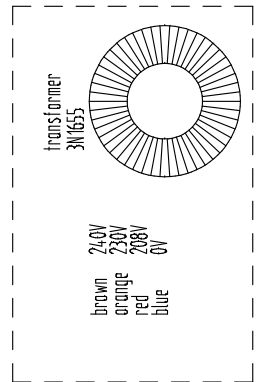
fri-jado
 Oude Kerfstreal 2
 4878 AA Eilten-Leur
 Postbus 950
 4870 AN Eilten-Leur
 tel: +31 (0)76-5985400
 fax: +31 (0)76-5985444



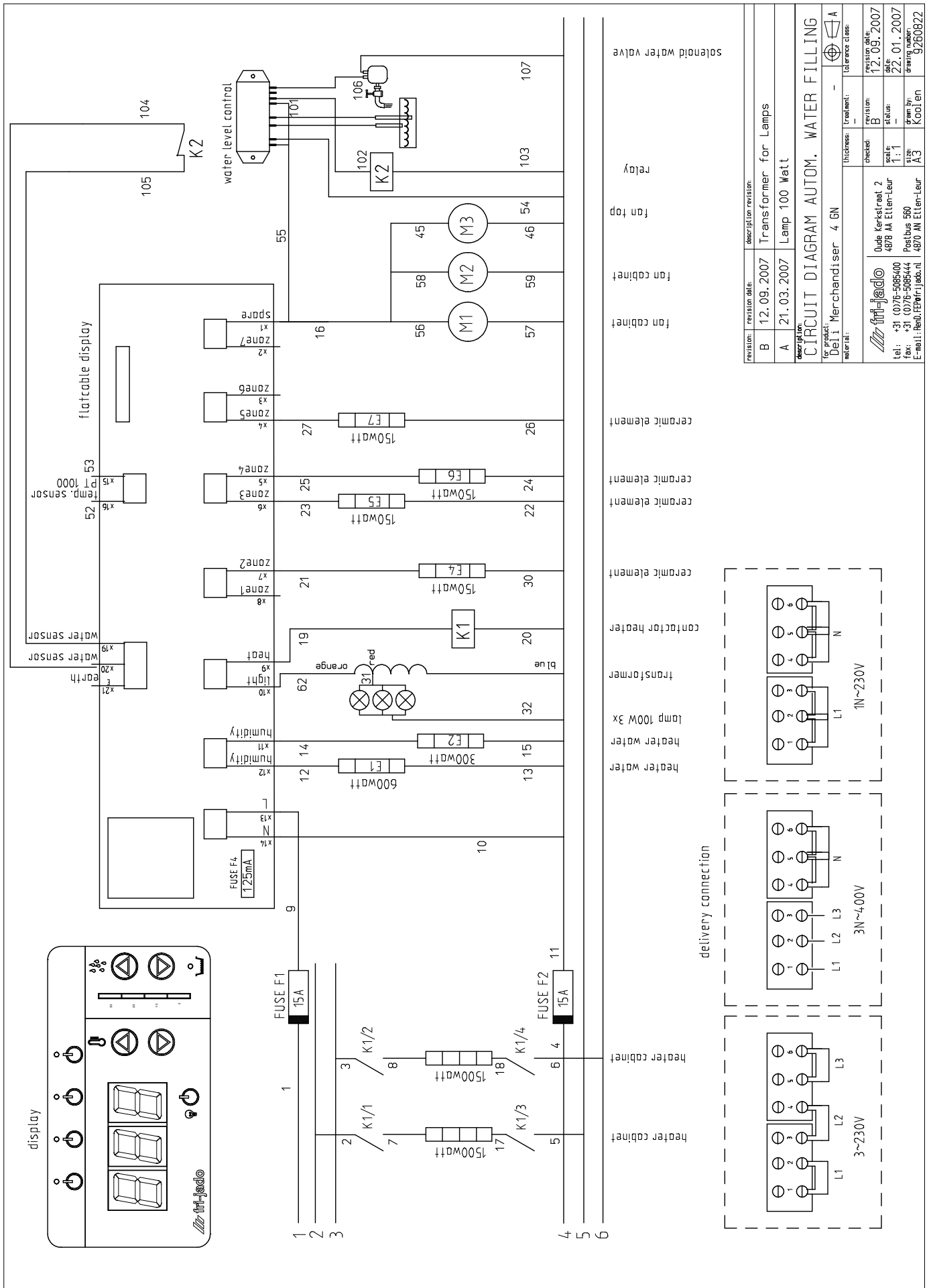
WIRING DIAGRAM HD 4 PREMIUM (HUMIDIFIED)



3	25.04.2008	Rewiring
2	14.09.2007	Transformer for Lamps
REVISION, REV. DATE		REMARK
Tel.: principle		Sen. tolerance
		Surface treatment
		Ben. tolerance
MATERIAL		
MATERIAL ART. NUMBER	DRAWN, Kool en	APPROVED v. Dorst
UNIT	STATUS Released	DATE 01.05.2006
SCALE 1:1	PROJECT	DRAWING NUMBER 9250823
REMARKS		
DESCRIPTION		
Bedradingsschema HD-4		ART. NUMBER 9250823
REV. C	SIZE A3	



CIRCUIT DIAGRAM HD 4 PREMIUM (HUMIDIFIED), AUTOMATIC WATER FILLING



revision:	revision date:	description:	revision:
B	12.09.2007	Transformer for Lamps	
A	21.03.2007	Lamp 100 Watt	

description:
CIRCUIT DIAGRAM AUTOM. WATER FILLING

for product:
Deli Merchandiser 4 GN

material:
thickness: 4 GN

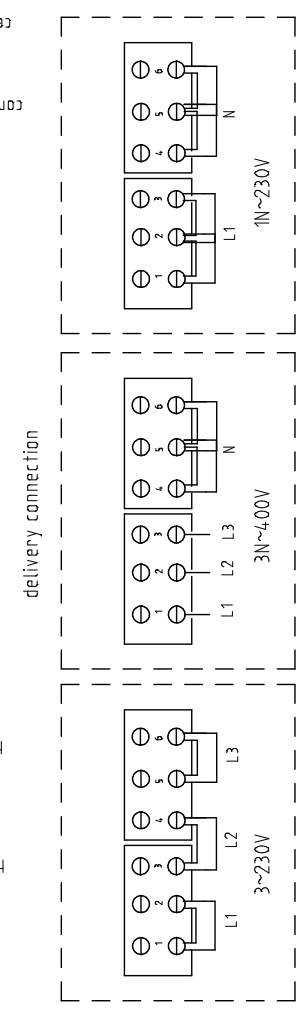
checked:
date: 12.09.2007

status:
date: 22.01.2007

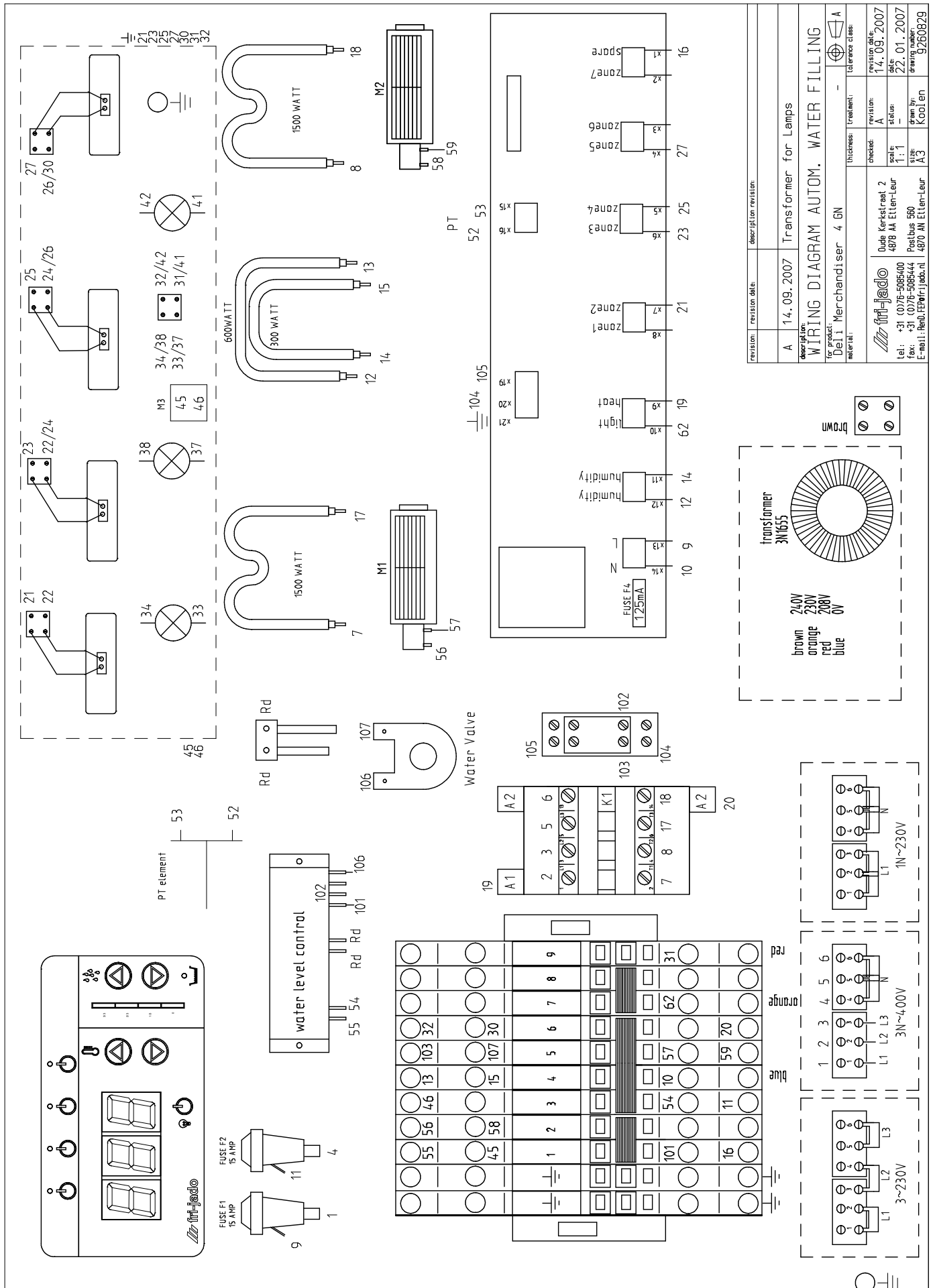
drawn by:
Kodlen

checked by:
Kodlen

drawing no.:
9260822



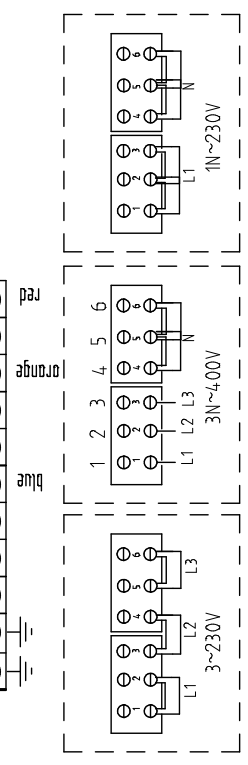
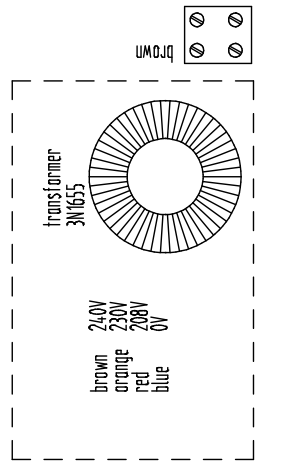
WIRING DIAGRAM HD 4 PREMIUM (HUMIDIFIED), AUTOMATIC WATER FILLING



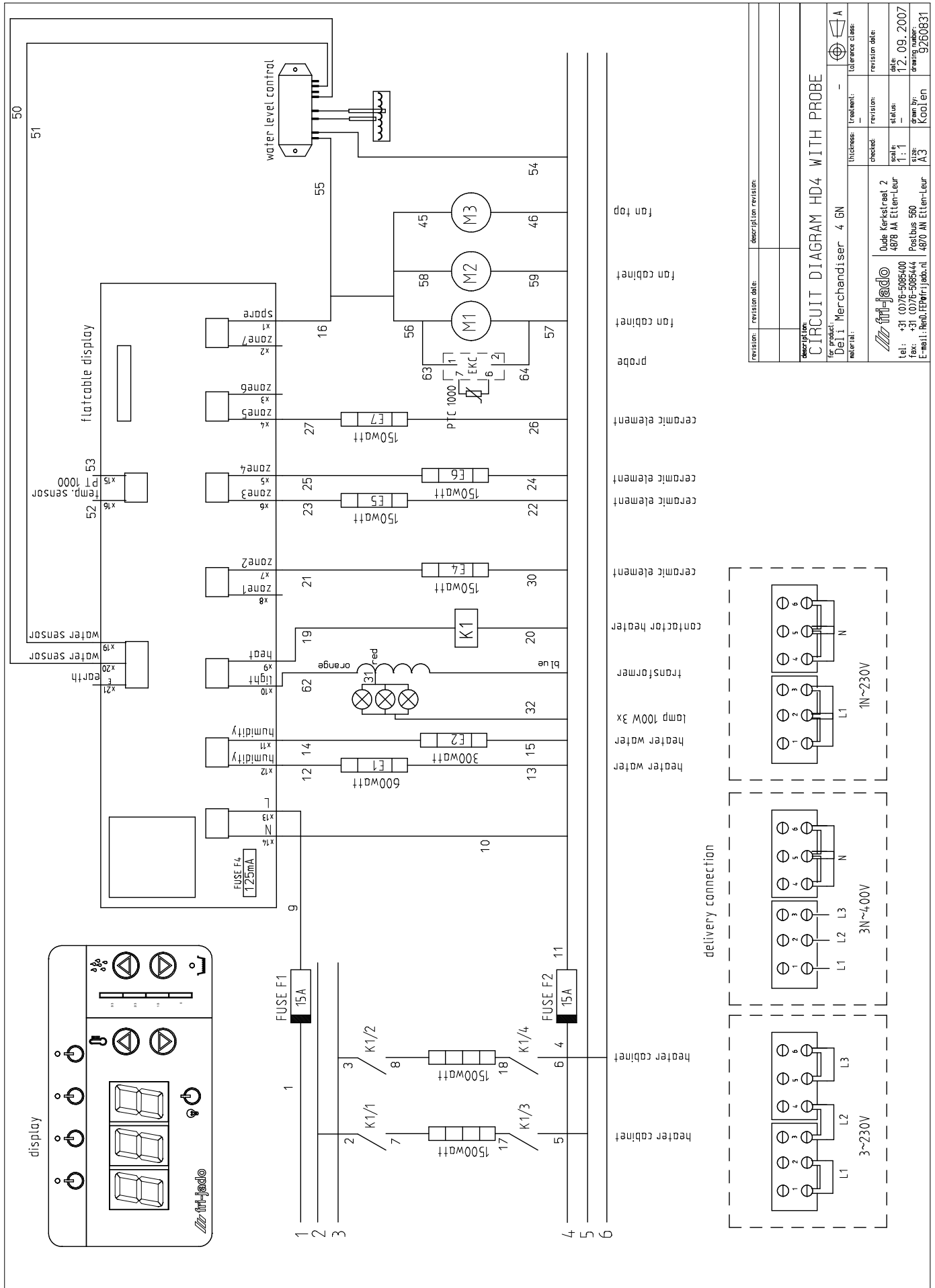
revision:	revision date:	description revision:
A	14.09.2007	Transformer for Lamps

description:	
WIRING DIAGRAM AUTOM. WATER FILLING	
for product:	Deli Merchandise 4 GN
material:	4 GN

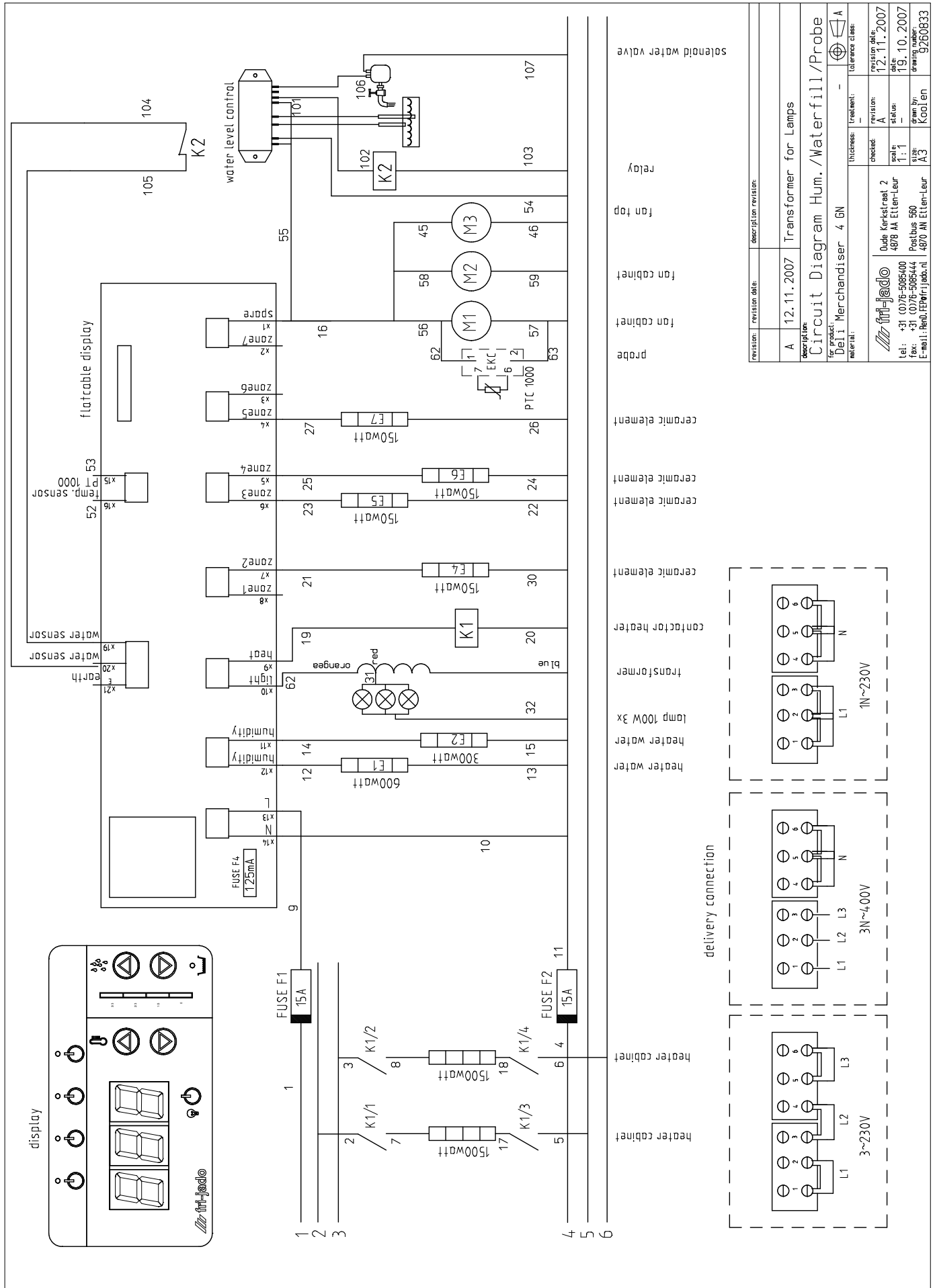
checked:	revision:	revision date:	tolerance class:
A	A	14.09.2007	A
scale:	status:	date:	drawn by:
1:1	-	22.01.2007	Koolen
sign:	drawn by:	date:	drawing number:
A3	Koolen	22.01.2007	9260829



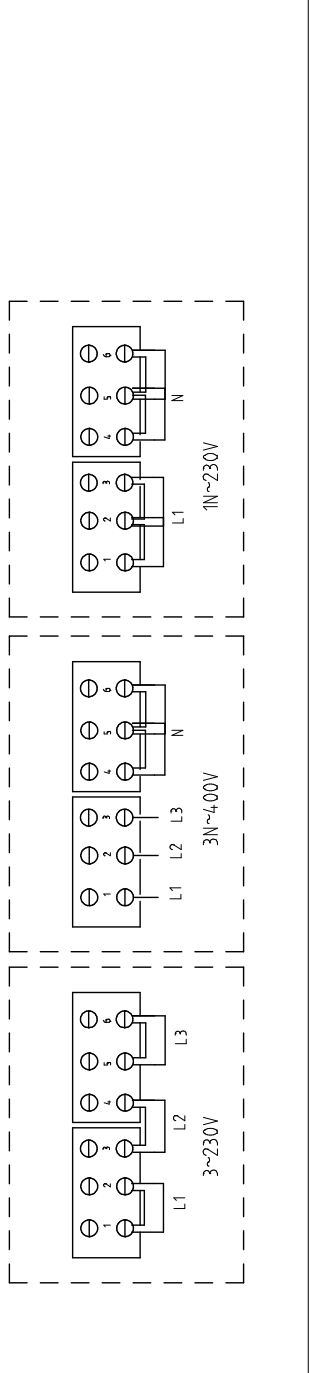
CIRCUIT DIAGRAM HD 4 PREMIUM (HUMIDIFIED) WITH PROBE



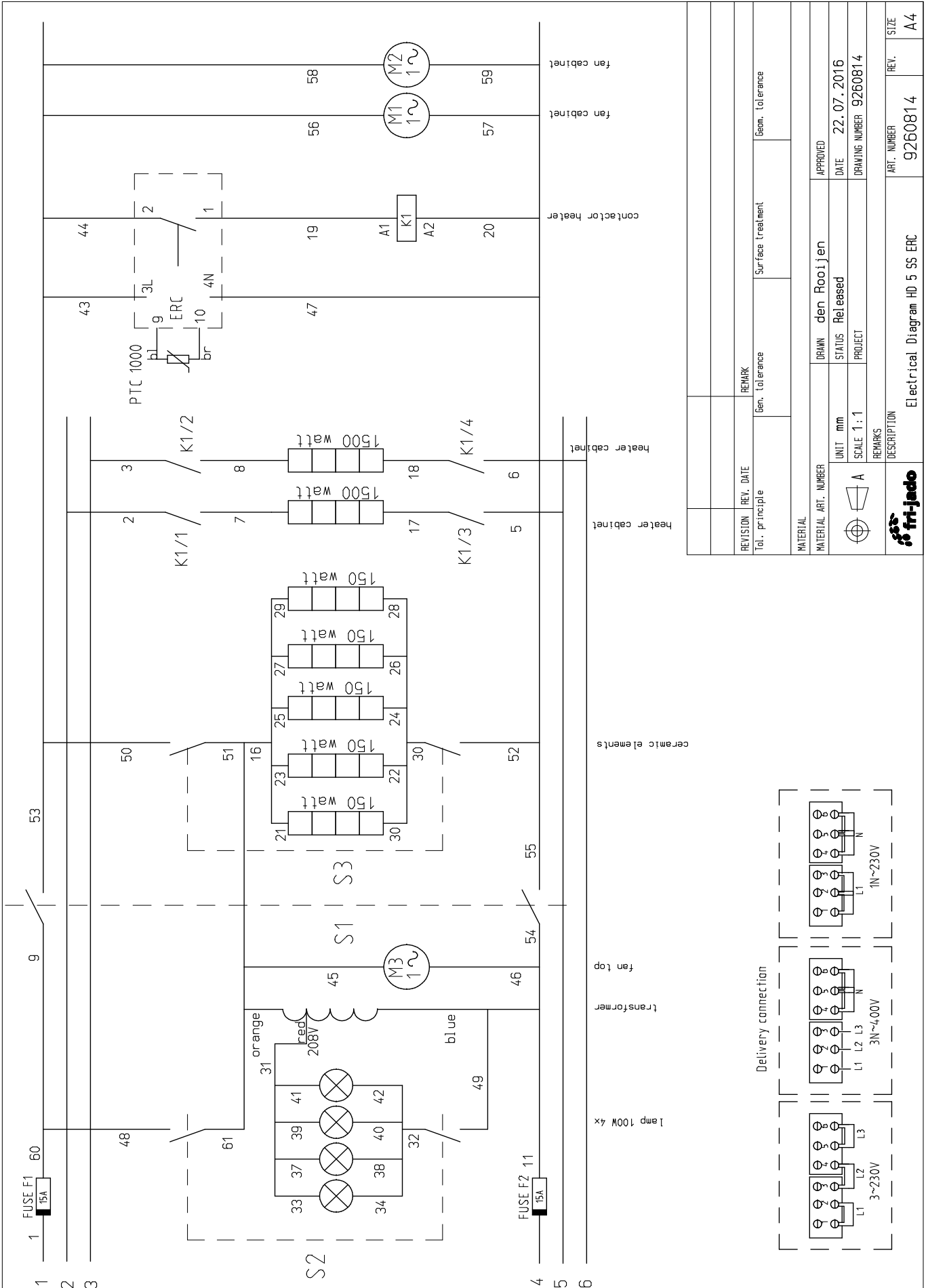
CIRCUIT DIAGRAM HD 4 PREMIUM (HUMIDIFIED) WITH PROBE, AUTOM. WATER FILLING



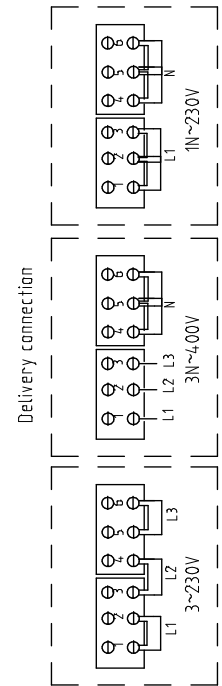
revision	revision date	description	revision	revision date	checked	checked date	tolerance class
A	12.11.2007	Transformer for Lamps	A	12.11.2007			A
description: Circuit Diagram Hum./Waterfill/Probe for product: Deli Merchandise 4 GN material:							
		Dude Kerckstraet 2 4878 AA Etten-Leur Postbus 590 E-mail: RepM.FE@fri-jado.nl		scale: 1:1 date: 19.10.2007 drawn by: Koolen drawing number: 9260833		checked: A revision: A status: - date: 19.10.2007 drawn by: Koolen drawing number: 9260833	



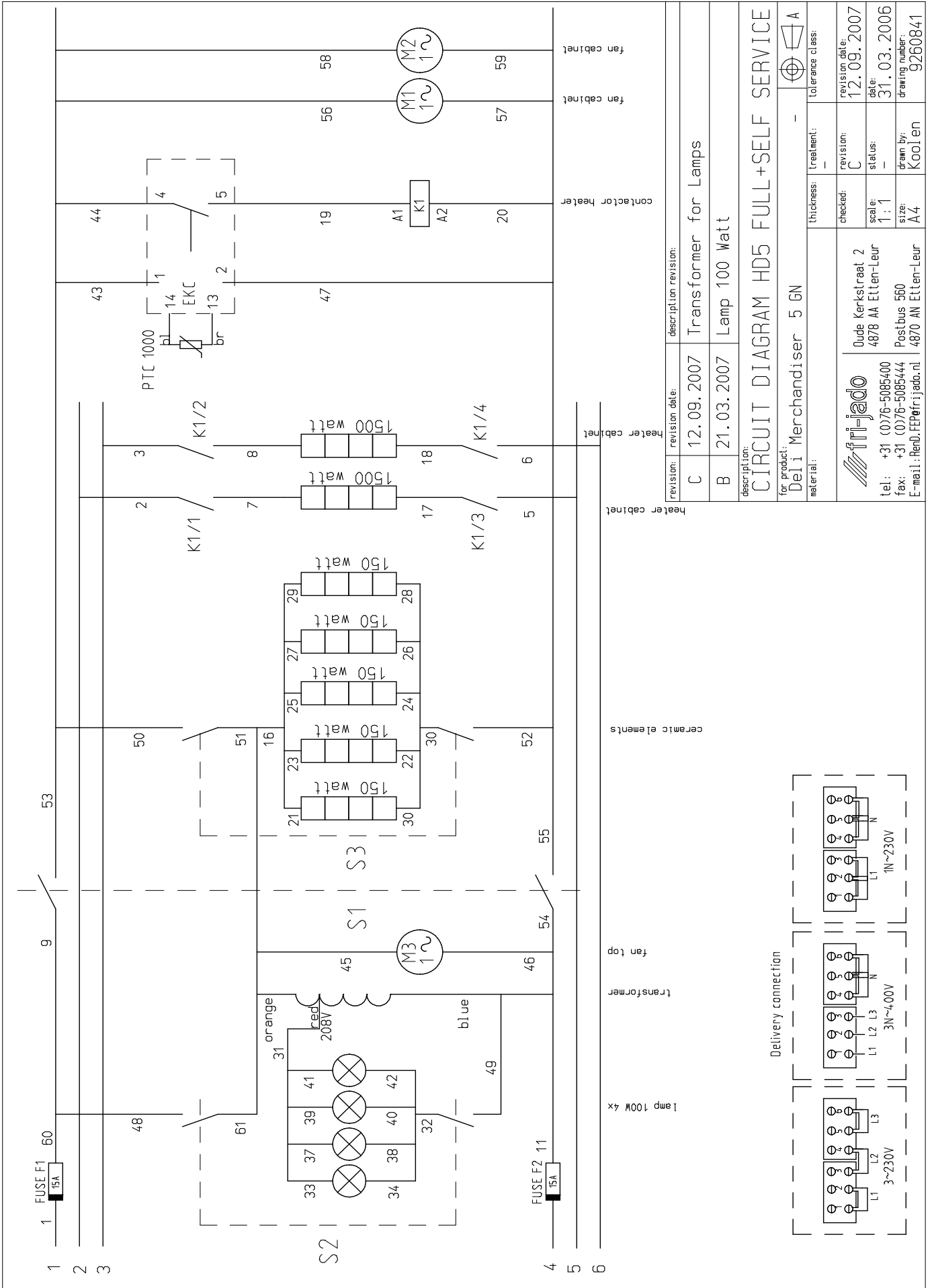
CIRCUIT DIAGRAM HD 5 ESSENTIAL (FULL SERVICE) & SELF SERVICE



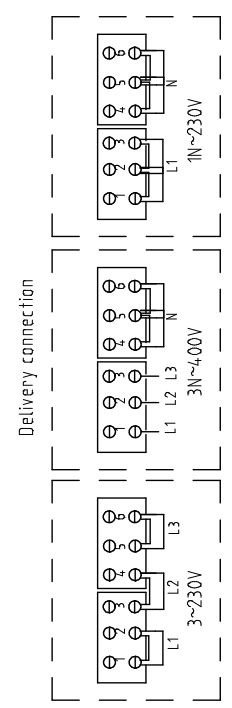
REVISION	REV. DATE	REMARK		
Tol. principle		Gen. tolerance	Surface treatment	Geom. tolerance
MATERIAL				
MATERIAL ART. NUMBER	DRAWN	den Rooijen	APPROVED	
UNIT mm	STATUS	Released	DATE	22.07.2016
SCALE 1:1	PROJECT		DRAWING NUMBER	9260814
REMARKS				
DESCRIPTION			ART. NUMBER	9260814
Electrical Diagram HD 5 SS ERC			REV.	A4



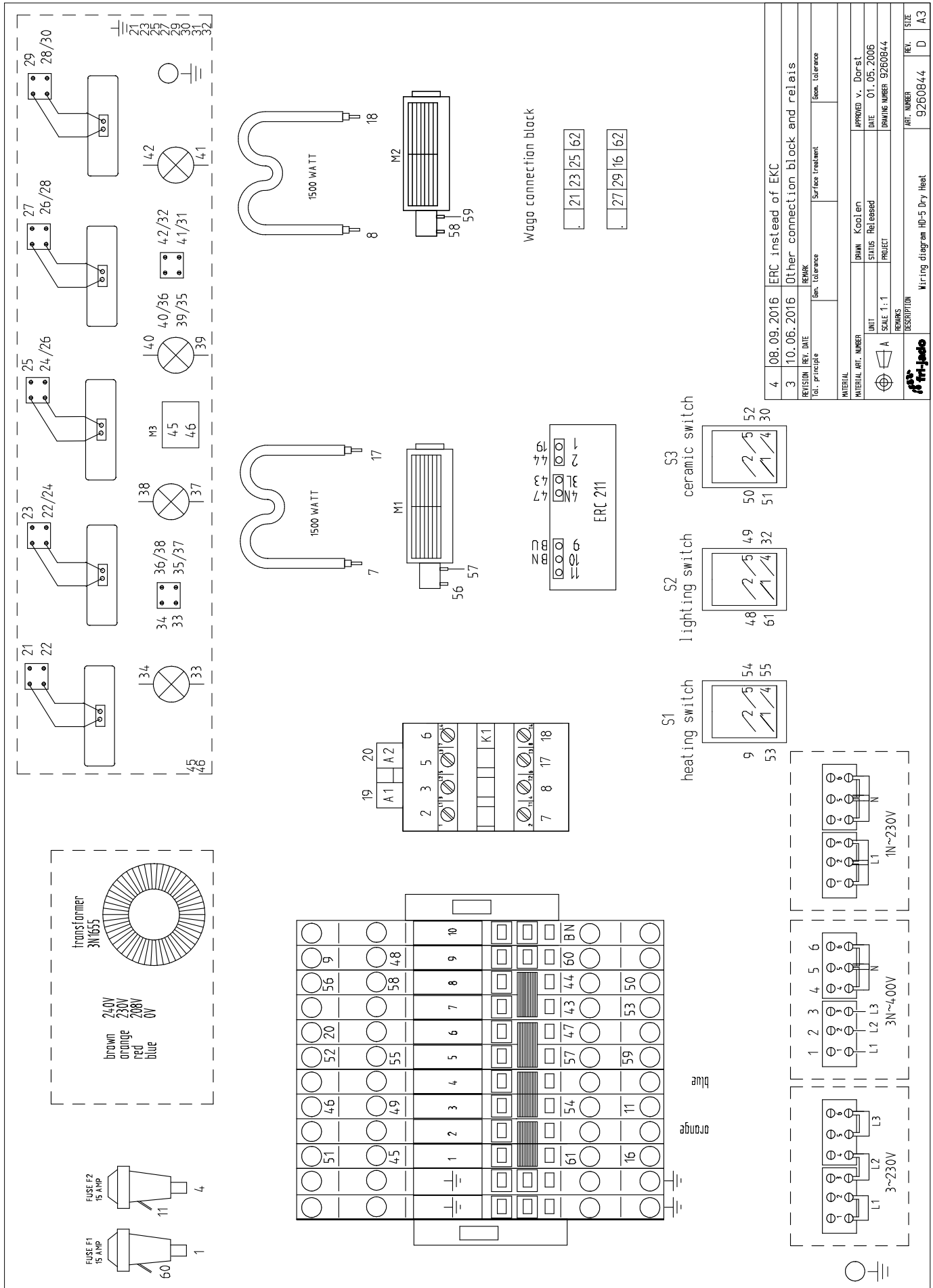
CIRCUIT DIAGRAM HD 5 ESSENTIAL (FULL SERVICE) & SELF SERVICE TILL SERIAL NUMBER 100080408



revision:	C	revision date:	12.09.2007	description revision:	Transformer for Lamps
	B		21.03.2007		Lamp 100 Watt
description: CIRCUIT DIAGRAM HD5 FULL+SELF SERVICE					
for product:	Deli Merchandiser 5 GN				
material:	-				
thickness:	-				
checked:	C				
revision date:	12.09.2007				
scale:	1:1				
status:	-				
date:	31.03.2006				
drawn by:	Koolen				
size:	A4				
drawing number:	9260841				
tolerance class:	A				

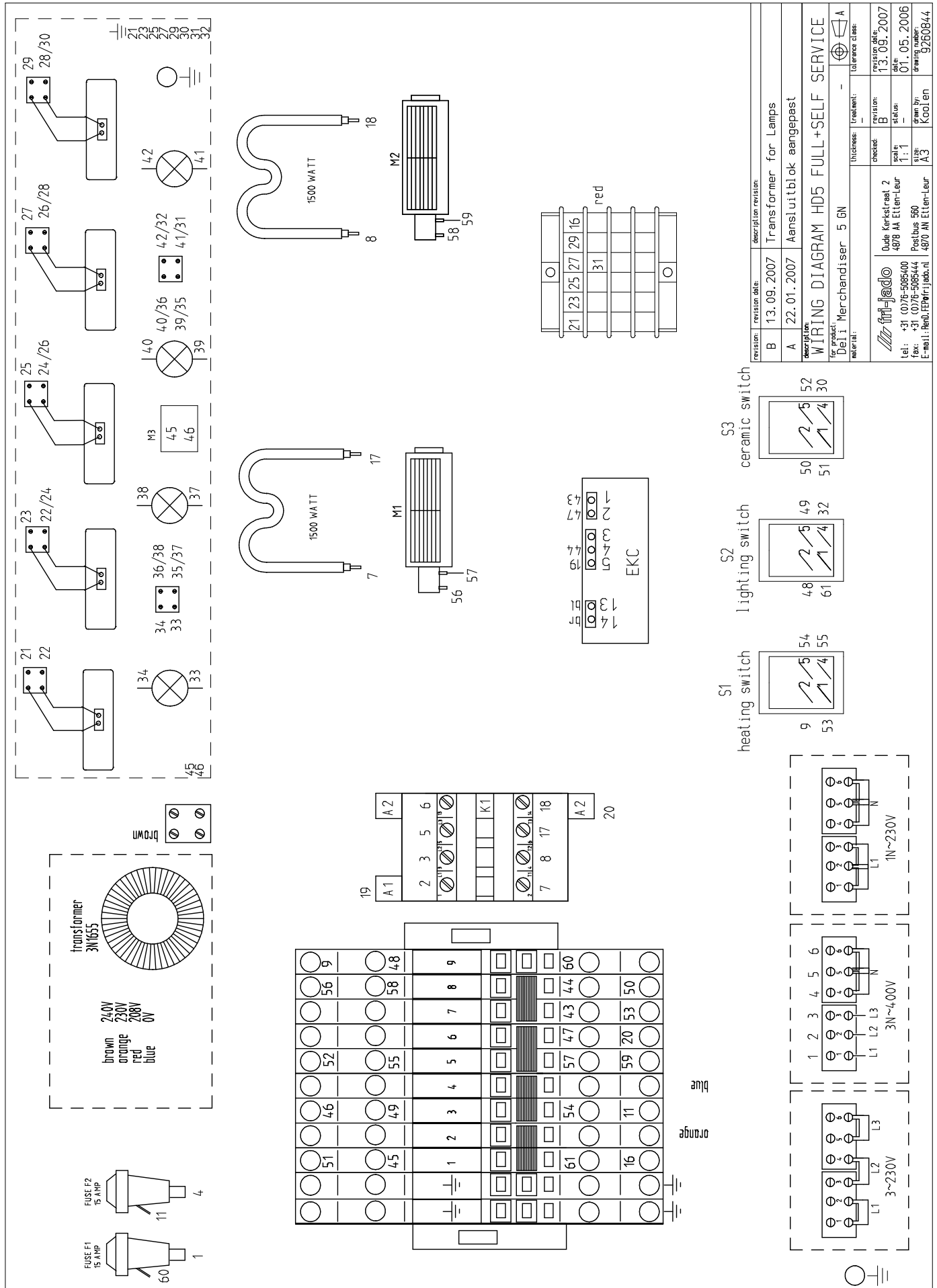


WIRING DIAGRAM HD 5 ESSENTIAL (FULL SERVICE) & SELF SERVICE



4	08.09.2016	ERC instead of EKC			
3	10.06.2016	Other connection block and relays			
REVISION REV. DATE		REMARK		Geom. tolerance	
1. principle		Surface treatment			
MATERIAL		MATERIAL ART. NUMBER		APPROVED v. DorsL	
Koolen		Koolen		DATE 01.05.2006	
UNIT		STATUS Released		DRAWING NUMBER 9260844	
SCALE 1:1		PROJECT		REVISION	
A				ART. NUMBER 9260844	
DESCRIPTION		Miring diagram HD-5 Dry Heat		REV. D A3	
fri-jado					

WIRING DIAGRAM HD 5 ESSENTIAL (FULL SERVICE) & SELF SERVICE TILL SERIAL NUMBER 100080408



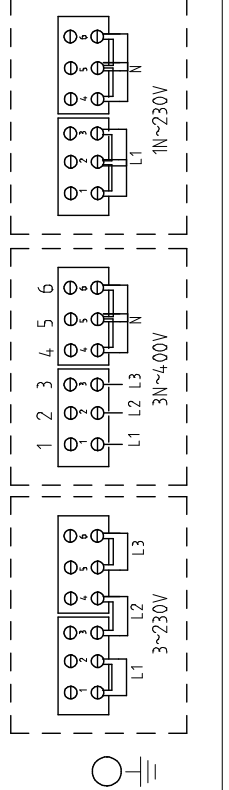
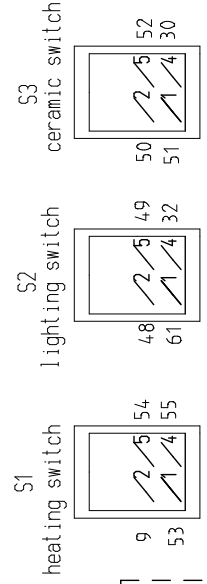
revision	revision date	description	revision	revision date	description
B	13.09.2007	Transformer for Lamps			
A	22.01.2007	Aansluitblok aangepast			

description: WIRING DIAGRAM HD5 FULL+SELF SERVICE
 for product: Deli Merchandise 5 GN
 material: -
 checked: -
 revision: B
 status: -
 scale: 1:1
 drawing number: A3
 checked: -
 revision: B
 status: -
 scale: 1:1
 drawing number: 9260844

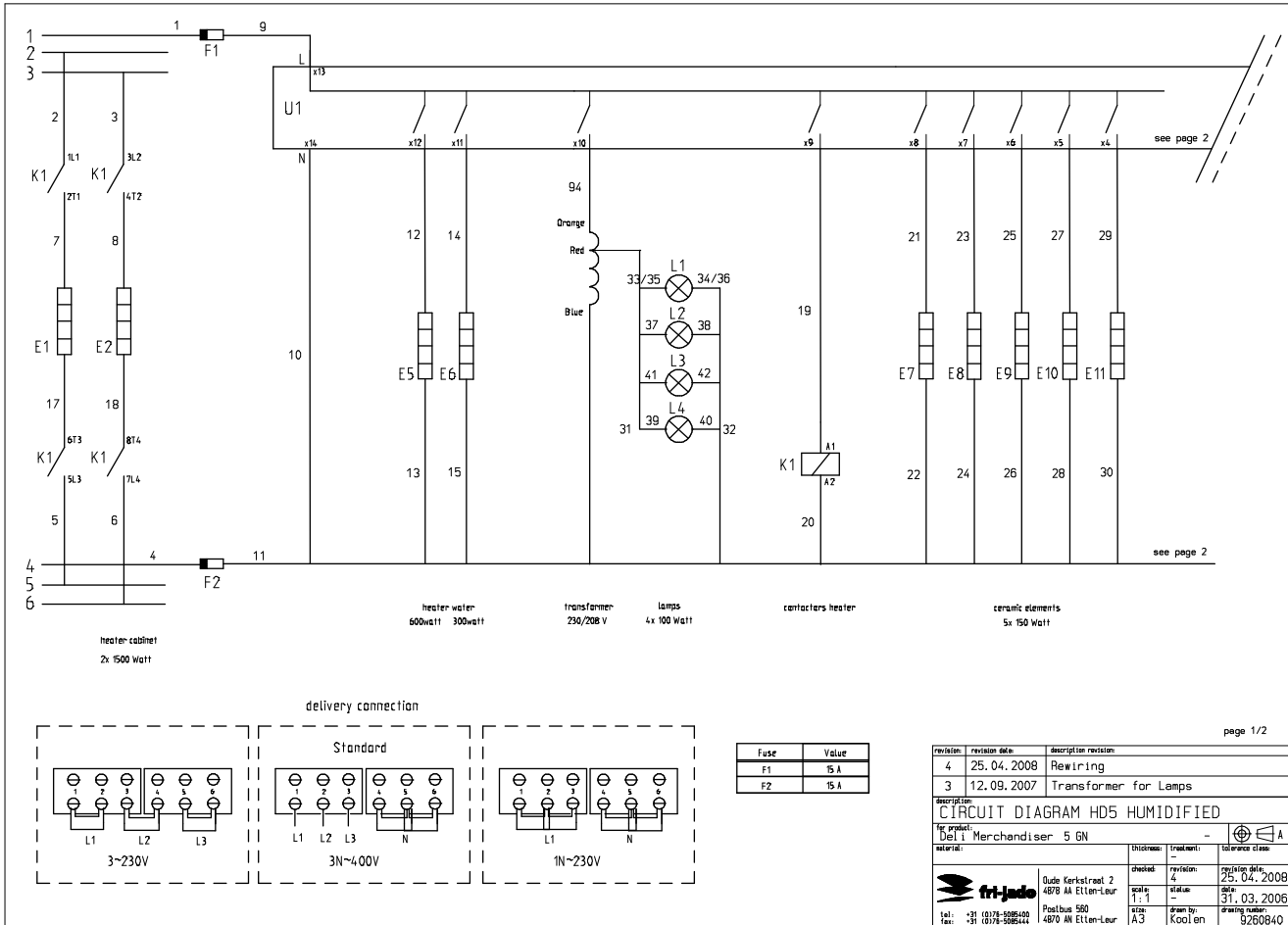
for product: Deli Merchandise 5 GN
 material: -
 checked: -
 revision: B
 status: -
 scale: 1:1
 drawing number: A3

for product: Deli Merchandise 5 GN
 material: -
 checked: -
 revision: B
 status: -
 scale: 1:1
 drawing number: A3

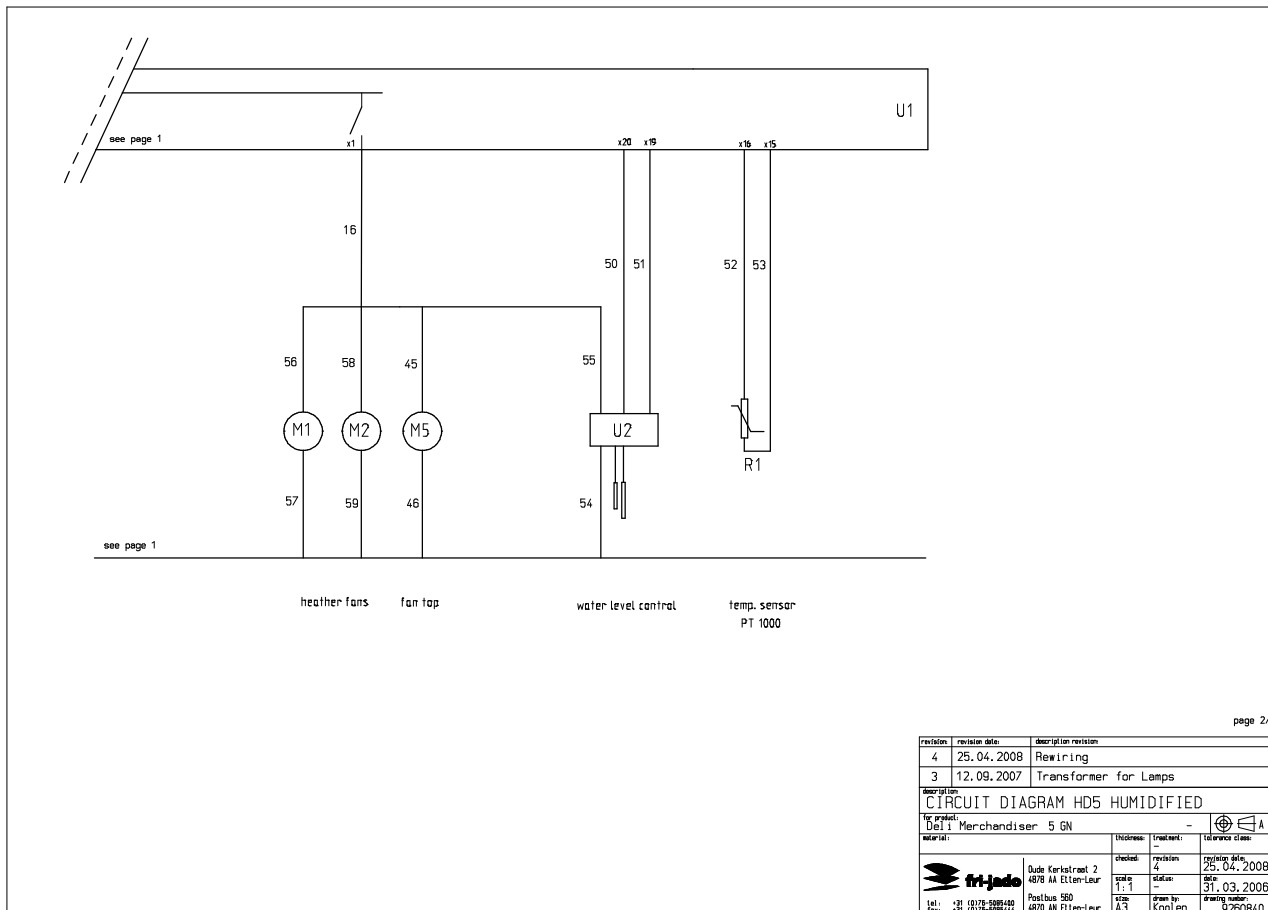
for product: Deli Merchandise 5 GN
 material: -
 checked: -
 revision: B
 status: -
 scale: 1:1
 drawing number: A3



CIRCUIT DIAGRAM HD 5 PREMIUM (HUMIDIFIED)

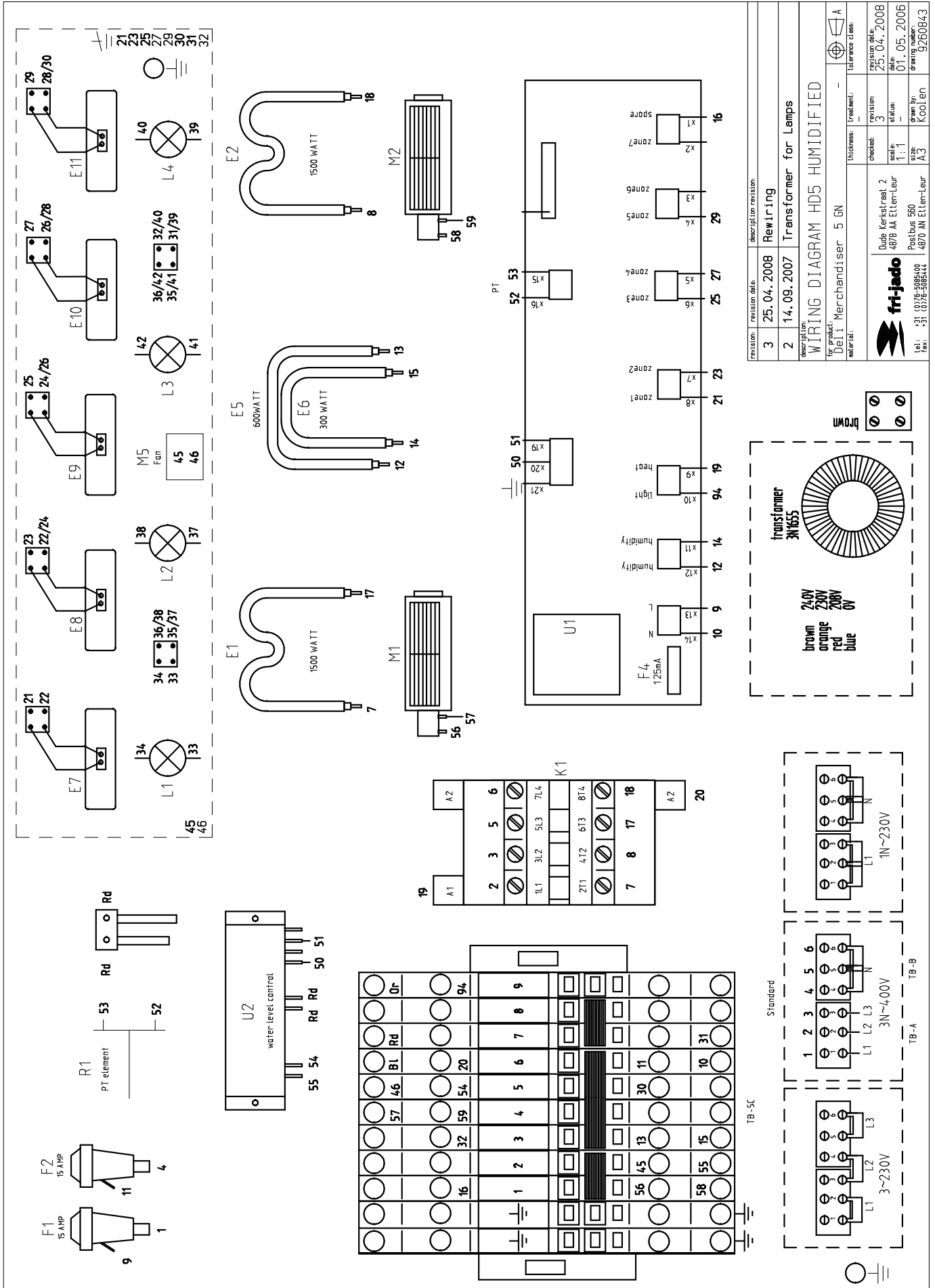


page 1/2



page 2/2

WIRING DIAGRAM HD 5 PREMIUM (HUMIDIFIED)



revision	revision date	description	revision
3	25.04.2008	Rewiring	
2	14.09.2007	Transformer for lamps	

description: WIRING DIAGRAM HD5 HUMIDIFIED
for product: DELI Merchandise
material: 5 GN

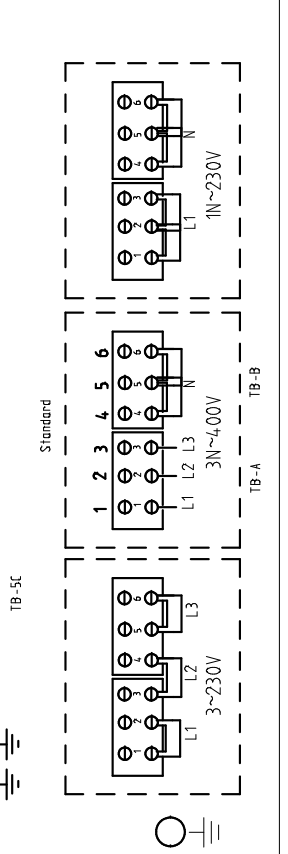
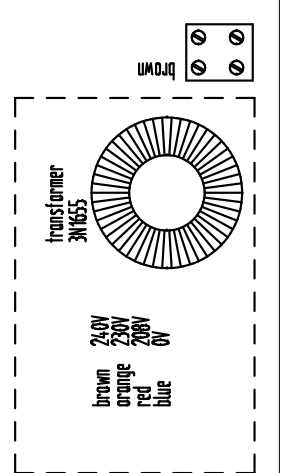
checked	revision	revision date	checked	revision	revision date
	3	25.04.2008		3	25.04.2008
	1	11.01.05.2006		1	11.01.05.2006
	A3	01.05.2006		A3	01.05.2006

for product: Deli Merchandise 5 GN
material: 5 GN

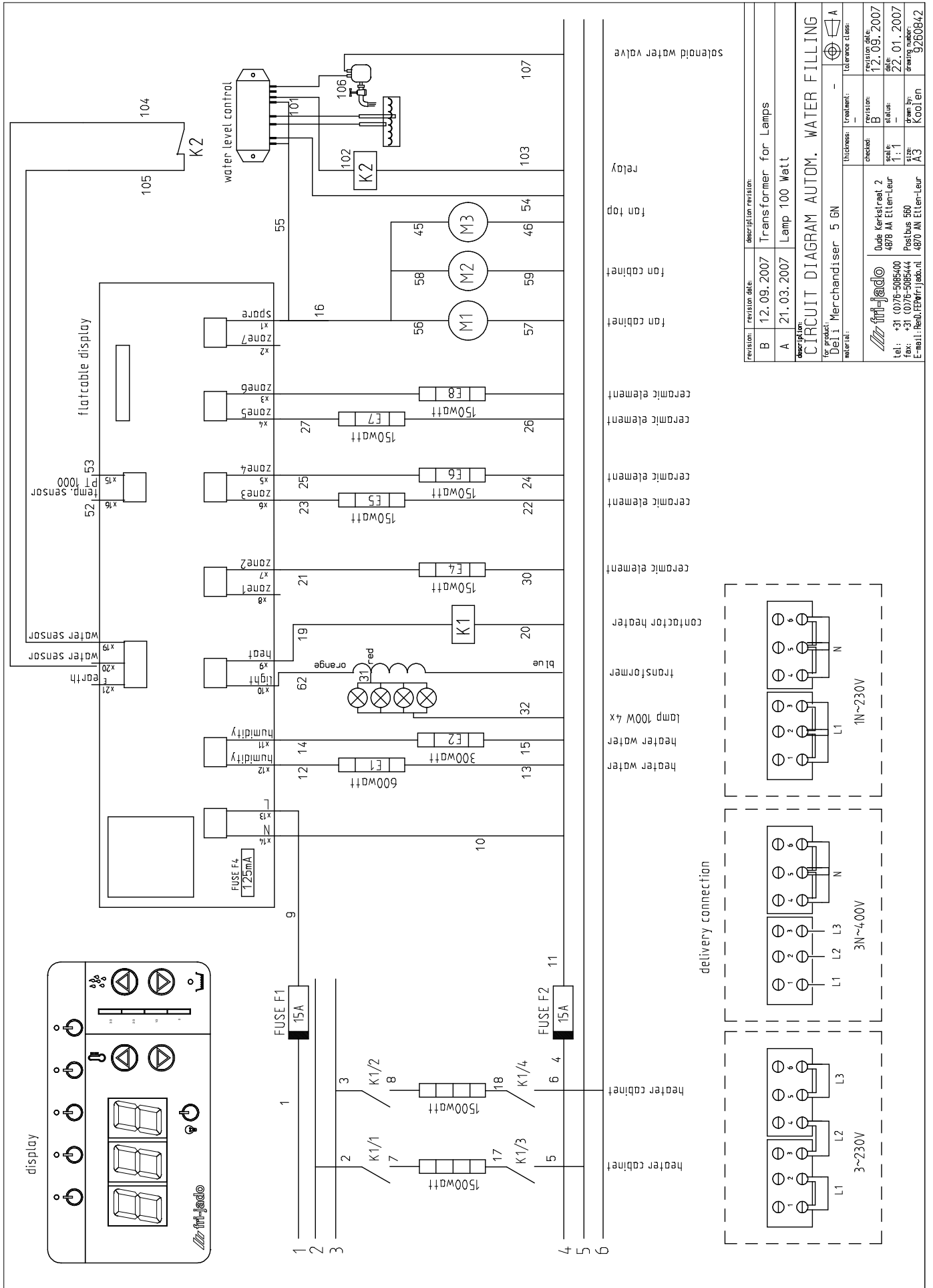
checked: 3
revision: 25.04.2008
checked: 1
revision: 11.01.05.2006
checked: A3
revision: 01.05.2006

for product: Deli Merchandise 5 GN
material: 5 GN

checked: 3
revision: 25.04.2008
checked: 1
revision: 11.01.05.2006
checked: A3
revision: 01.05.2006



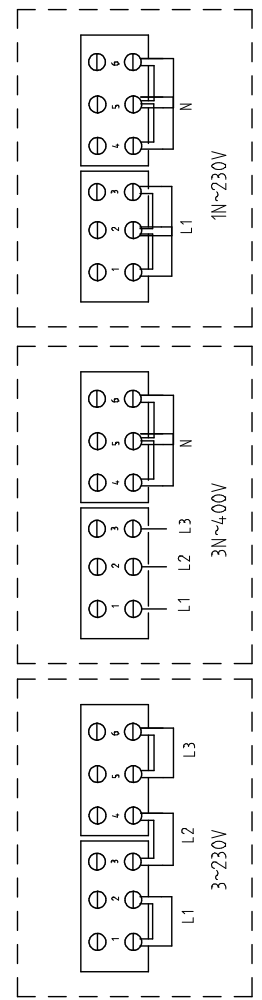
CIRCUIT DIAGRAM HD 5 PREMIUM (HUMIDIFIED), AUTOMATIC WATER FILLING



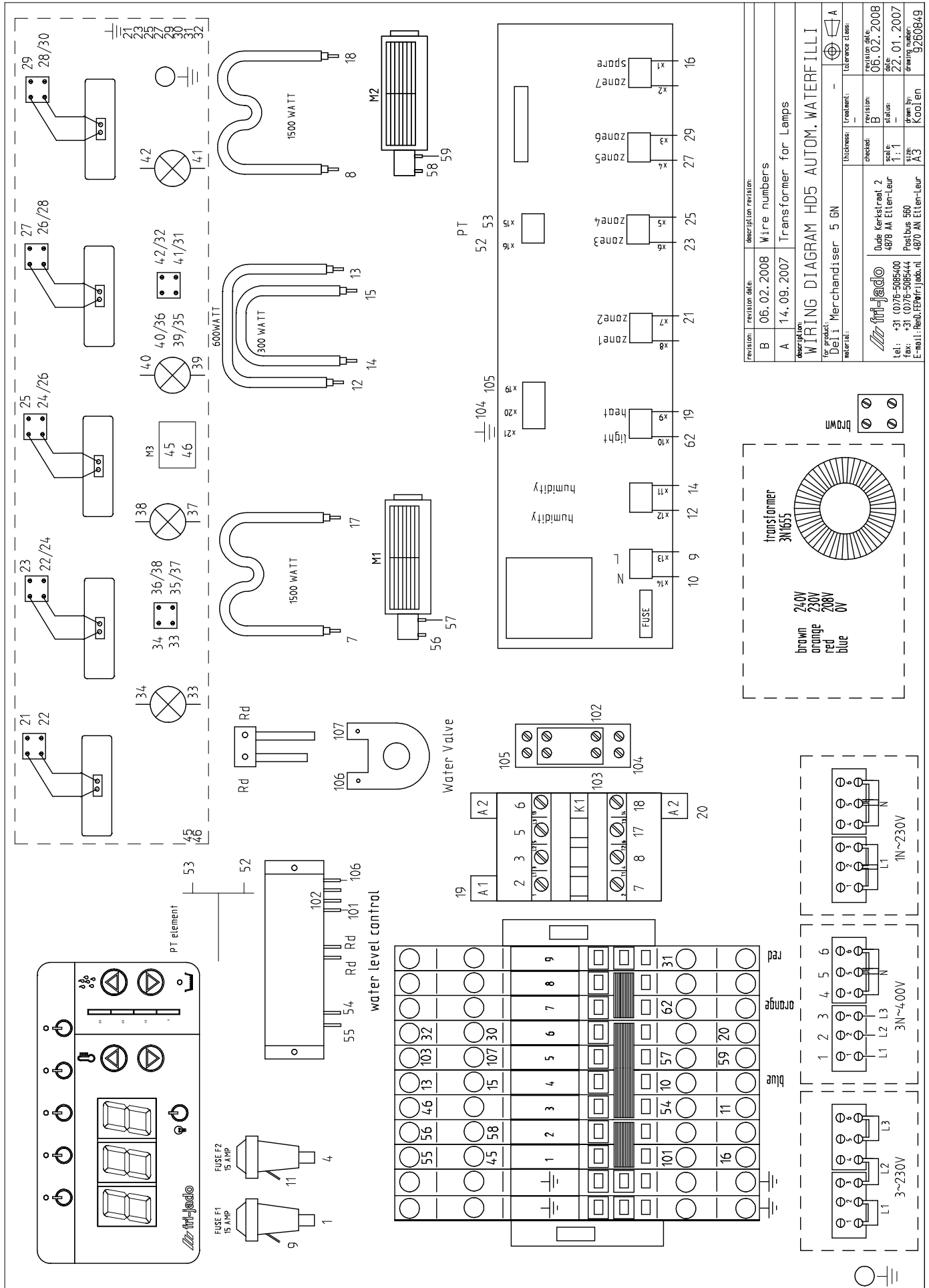
revision:	revision date:	description revision:
B	12.09.2007	Transformer for Lamps
A	21.03.2007	Lamp 100 Watt

description:	
CIRCUIT DIAGRAM AUTOM. WATER FILLING	
for product:	Deli Merchandiser 5 GN
material:	

checked:	revision date:	revision:	tolerance class:
	12.09.2007	B	A
scale:	status:	date:	revision date:
1:1	-	22.01.2007	12.09.2007
drawn by:	status:	date:	revision date:
Koolen	-	22.01.2007	12.09.2007
drawing number:	drawn by:	date:	revision date:
9250842	Koolen	22.01.2007	12.09.2007



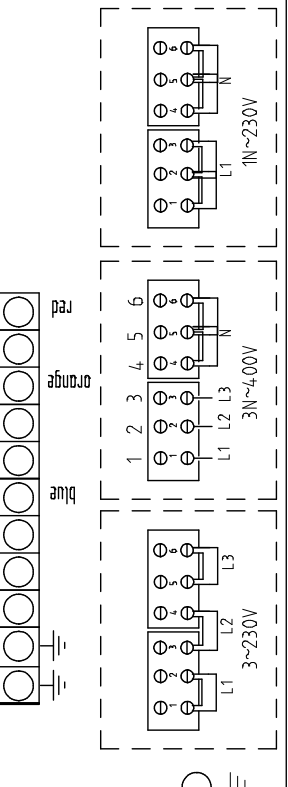
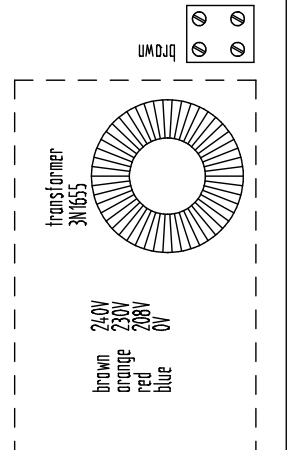
WIRING DIAGRAM HD 5 PREMIUM (HUMIDIFIED), AUTOMATIC WATER FILLING



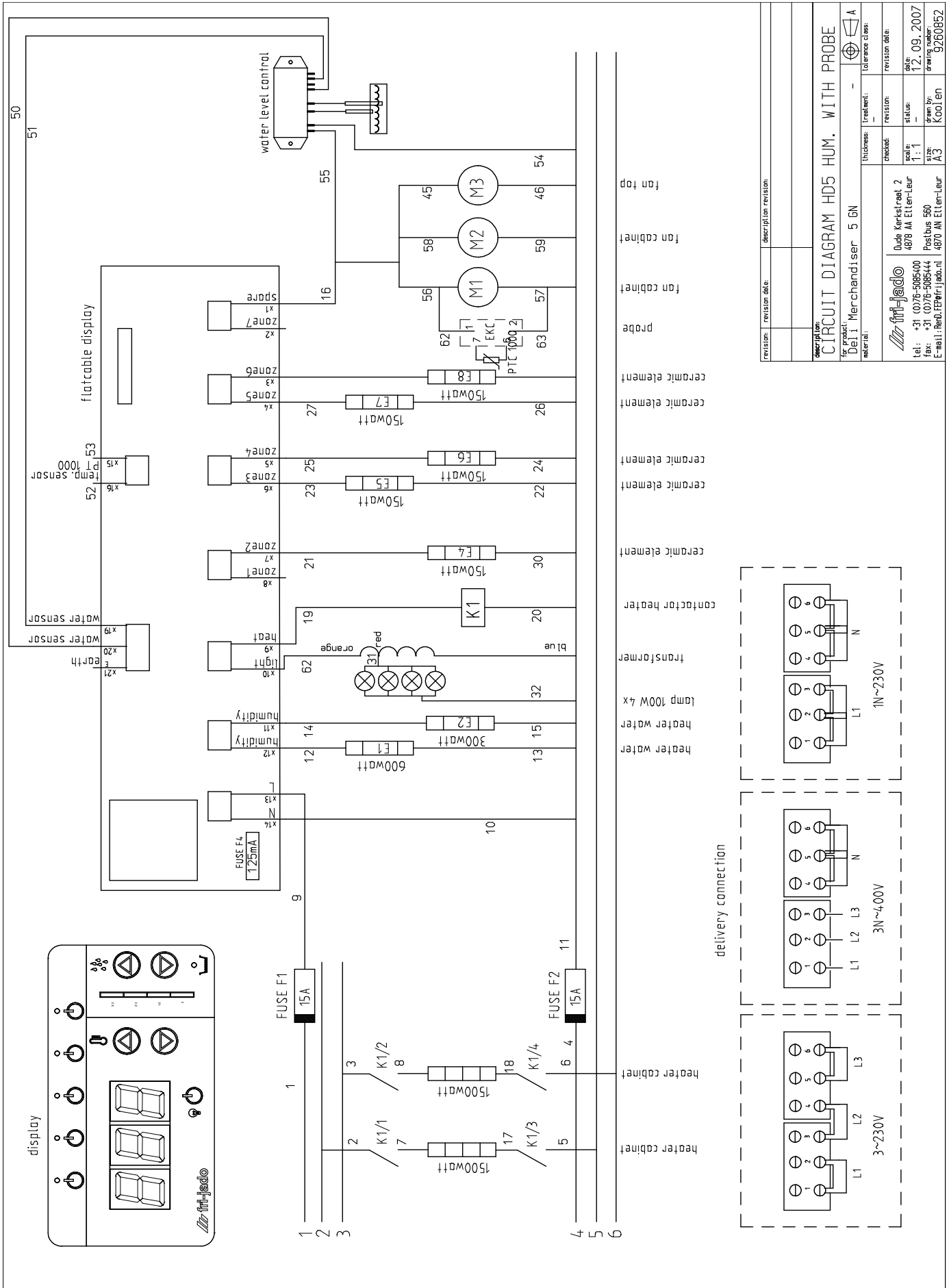
revision:	revision date:	description revision:
B	06.02.2008	Wire numbers
A	14.09.2007	Transformer for Lamps

description:	
WIRING DIAGRAM HD5 AUTOM. WATERFILLI	
for product:	Deli Kerkrastaal. 2
material:	Deli Merchandise 5 GN

checked:	revision:	revision date:	checked:	revision:	revision date:
1: 1	B	06.02.2008	1: 1	B	06.02.2008
size:	status:	date:	size:	status:	date:
A3	—	22.01.2007	A3	—	22.01.2007
drawn by:	drawn by:	drawing number:	drawn by:	drawn by:	drawing number:
Koolen	Koolen	9260849	Koolen	Koolen	9260849



CIRCUIT DIAGRAM HD 5 PREMIUM (HUMIDIFIED) WITH PROBE

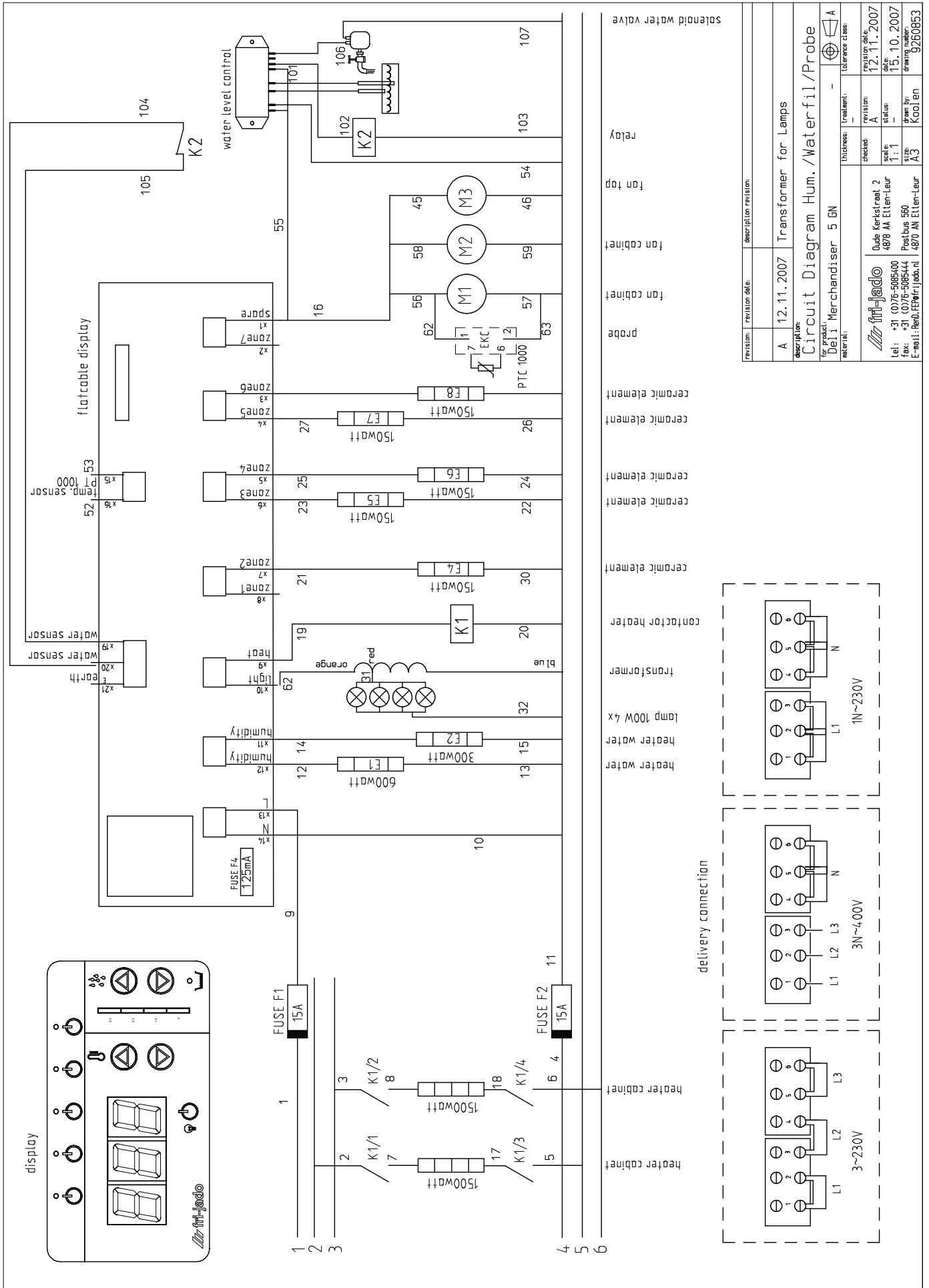


revision:	revision date:	description:	revision:

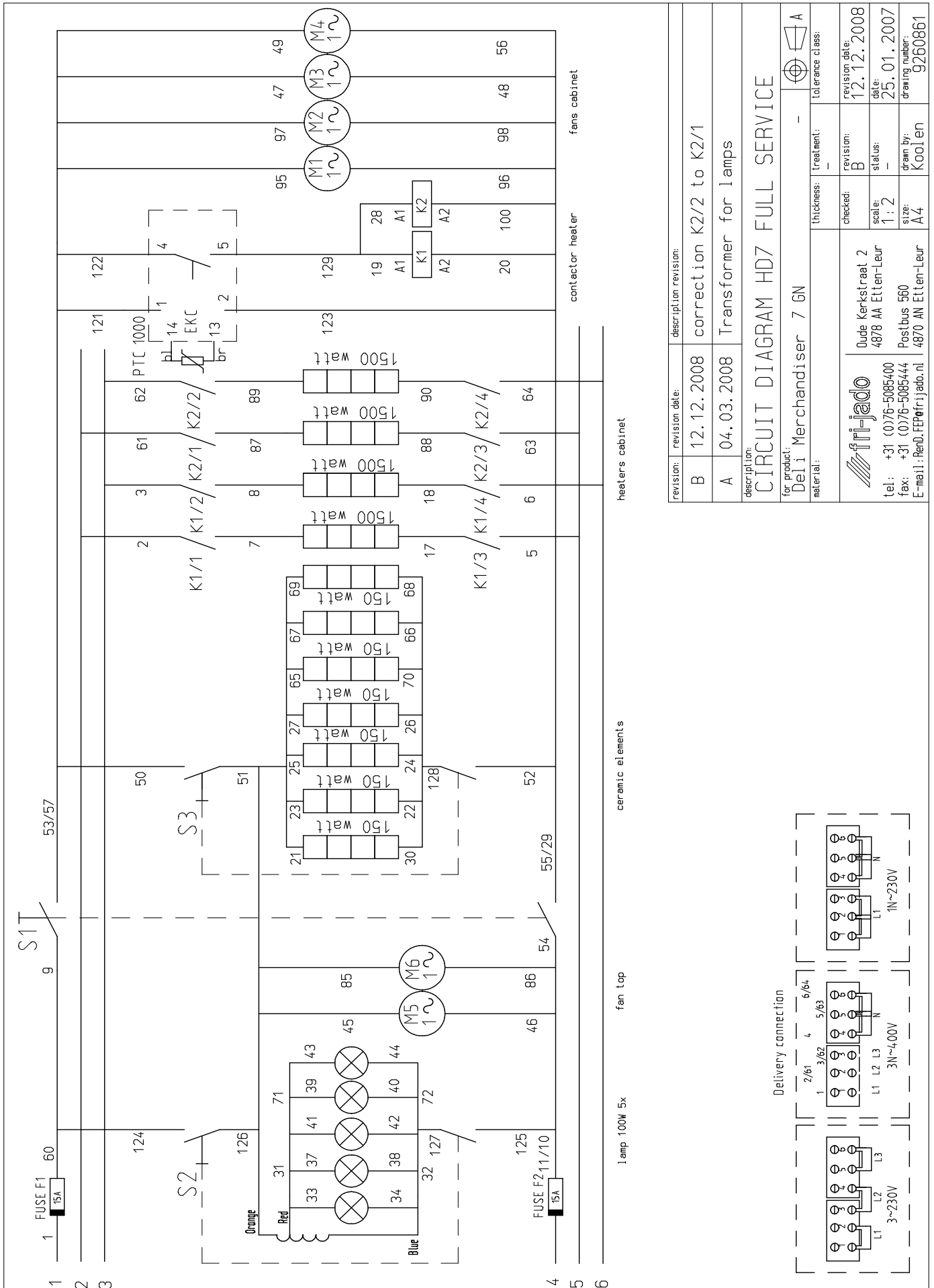
DESCRIPTION:	
CIRCUIT DIAGRAM HD5 HUM. WITH PROBE	
for product:	Deli Merchandiser 5 GN
material:	
thickness:	5 GN
checked:	
scale:	1:1
status:	
date:	12.09.2007
drawn by:	Koolen
drawing number:	9260852

	Dude Kerestraat 2
tel: +31 (0)76-5085400	4878 AA Etten-Leur
fax: +31 (0)76-5085444	Postbus 560
E-mail: help@fri-jado.nl	4870 AN Etten-Leur

CIRCUIT DIAGRAM HD 5 PREMIUM (HUMIDIFIED) WITH PROBE, AUTOM. WATER FILLING



CIRCUIT DIAGRAM HD 7 ESSENTIAL (FULL SERVICE)



revision:	revision date:	description	revision:
B	12.12.2008	correction K2/2 to K2/1	
A	04.03.2008	Transformer for lamps	

description:
CIRCUIT DIAGRAM HD7 FULL SERVICE

for product:
Deli Merchandiser 7 GN

material:

checked:	revision:	revision date:
B	B	12.12.2008

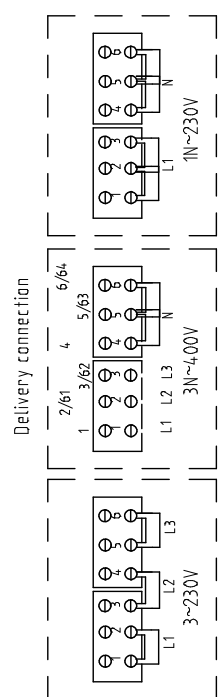
scale:	status:	date:
1:2	-	25.01.2007

size:	drawn by:	drawing number:
A4	Koolen	9260861

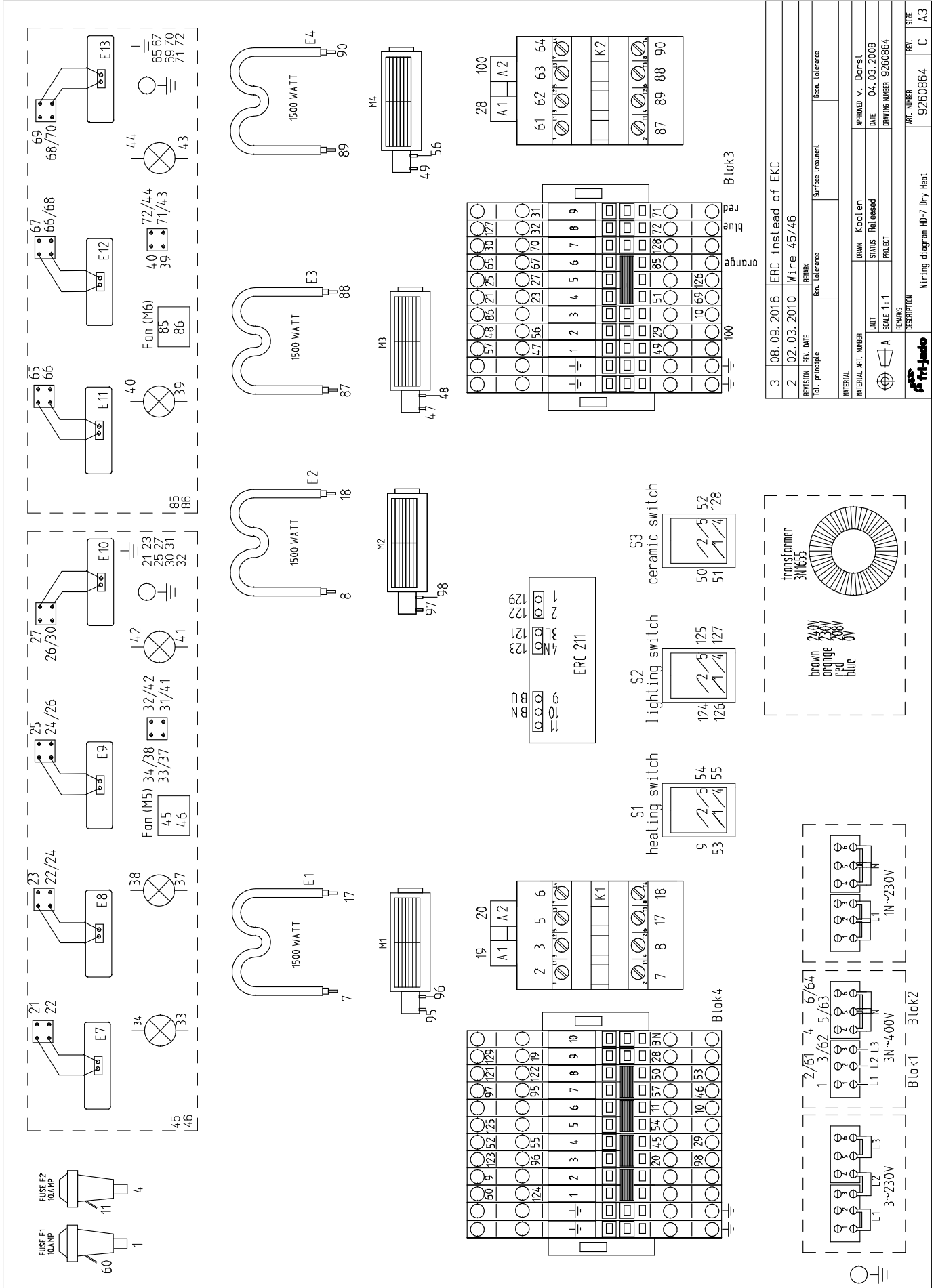
Thickness: - Treatment: - Tolerance class: A

tel: +31 (0)76-5085400
 fax: +31 (0)76-5085444
 E-mail: Rend.FEF@fri-jado.nl

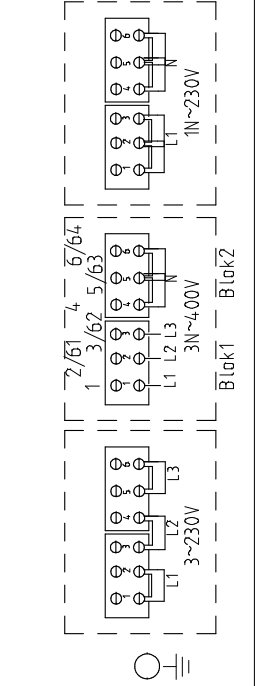
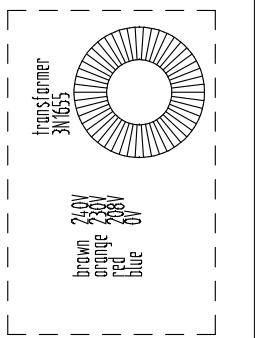
Dude Kerkstraat, 2
 4878 AA Etten-Leur
 Postbus 560
 4870 AN Etten-Leur



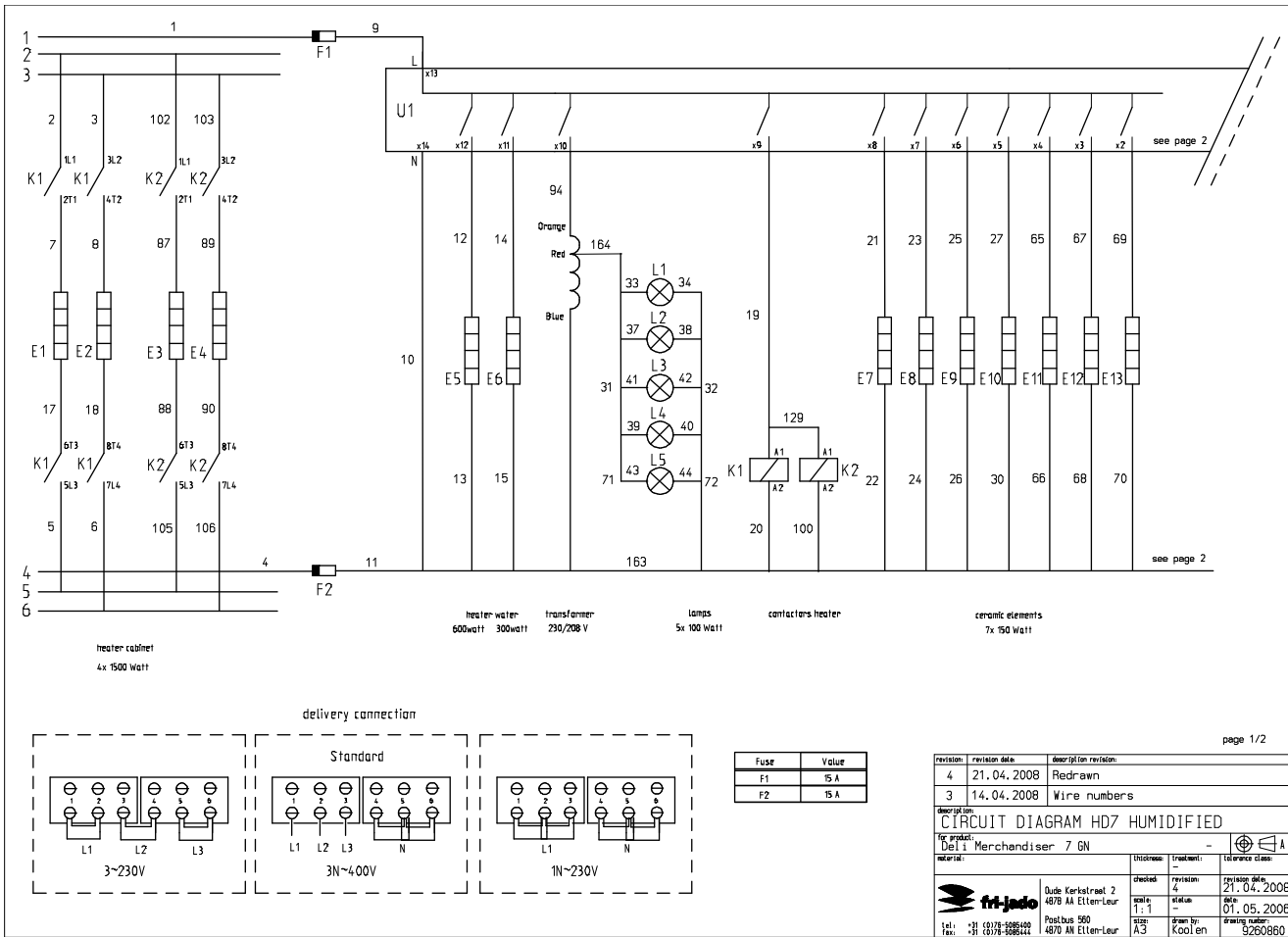
WIRING DIAGRAM HD 7 ESSENTIAL (FULL SERVICE)



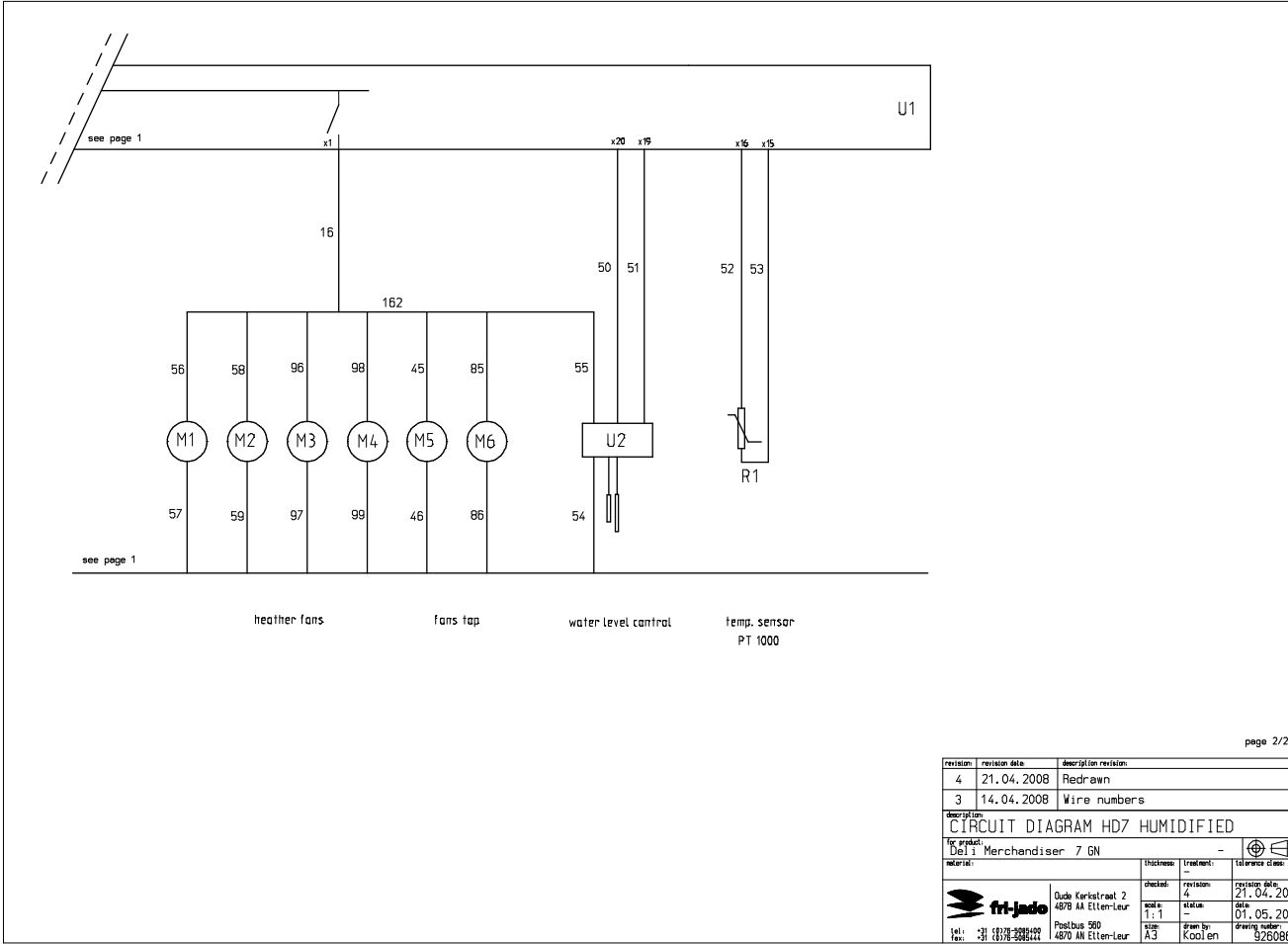
3	08.09.2016	ERC instead of EKC		
2	02.03.2010	Wire 45/46		
REVISION REV. DATE		REMARK		
Ter. principle		Gen. Tolerance		
		Surface Treatment		
		Gen. Tolerance		
MATERIAL ART. NUMBER				
UNIT				
APPROVED v. Dorst				
DATE 04.03.2008				
STATUS Rel. Issued				
PROJECT				
DRAWING NUMBER 9260864				
SCALE 1:1				
REVISIONS				
DESCRIPTION				REV. SIZE
Wiring diagram HD-7 Dry Heat				C A3



CIRCUIT DIAGRAM HD 7 PREMIUM (HUMIDIFIED)

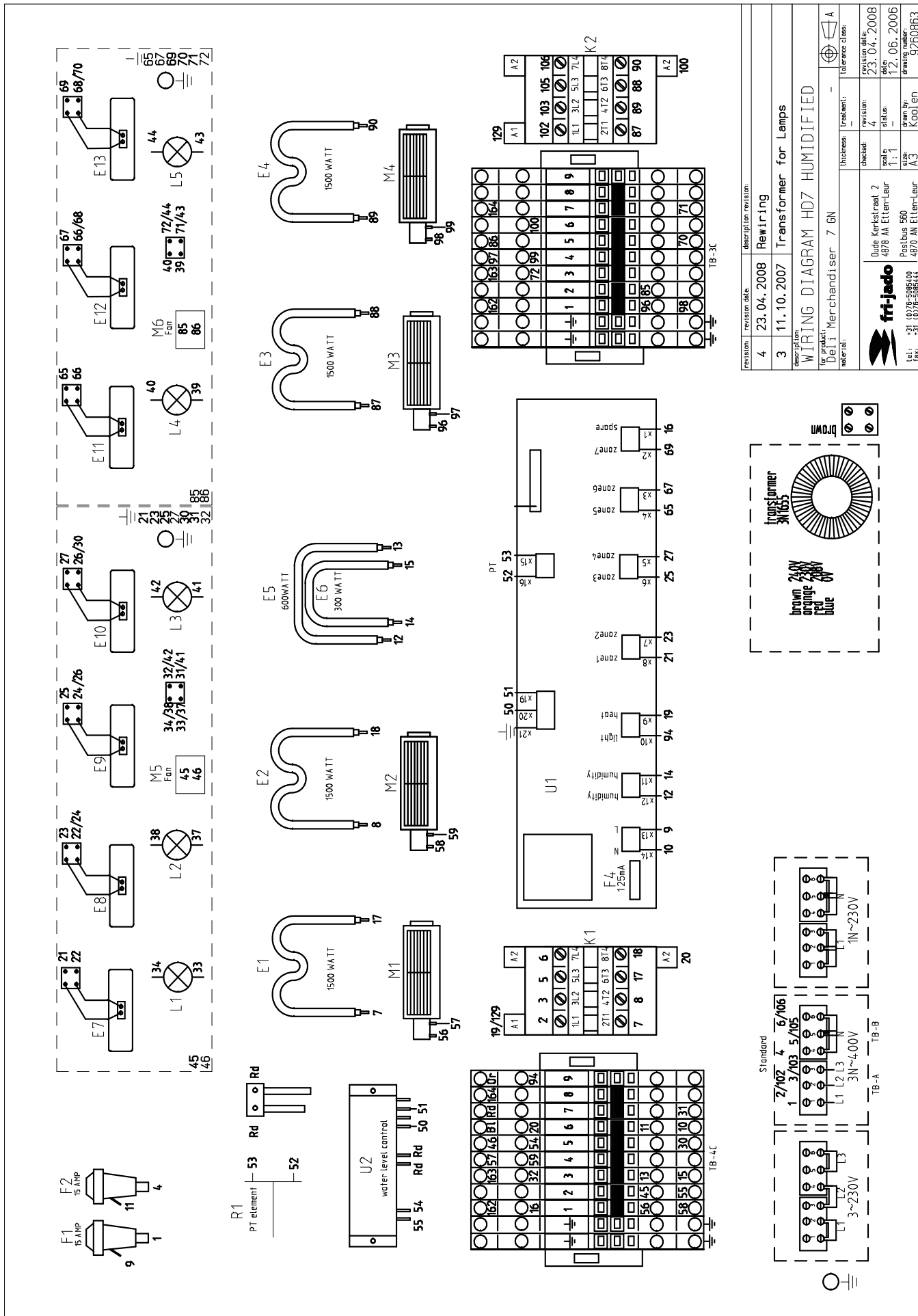


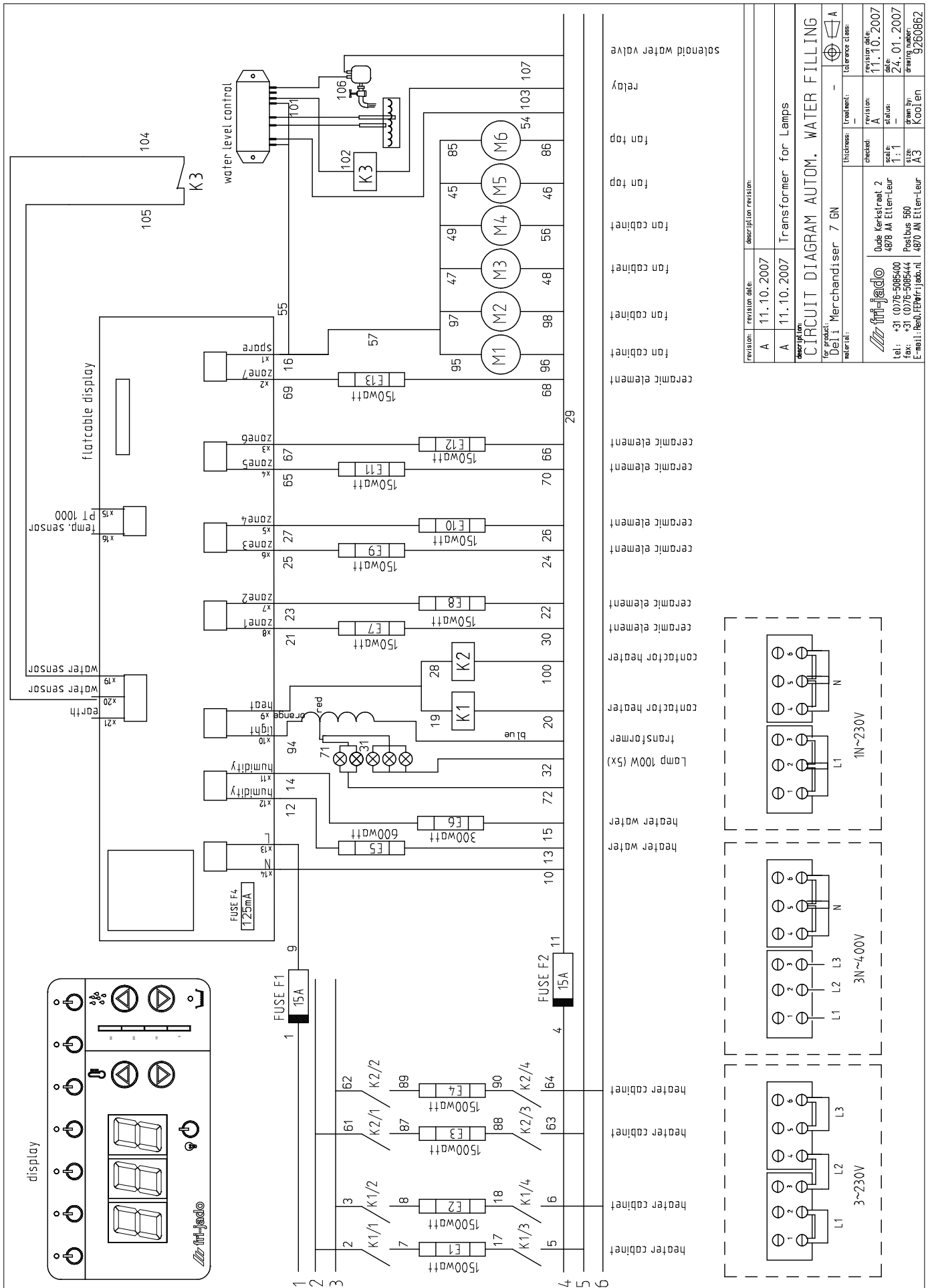
page 1/2



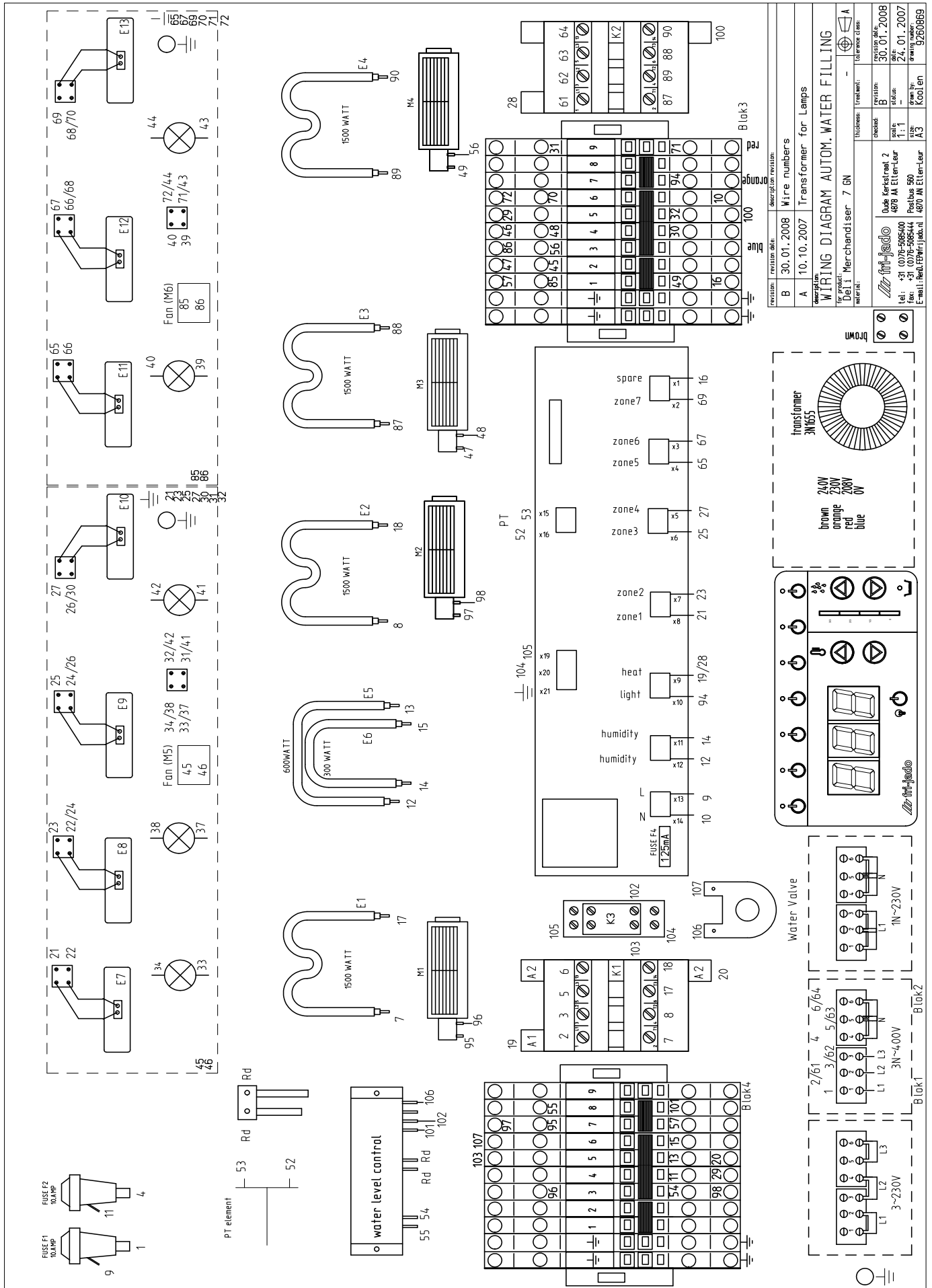
page 2/2

WIRING DIAGRAM HD 7 PREMIUM (HUMIDIFIED)



CIRCUIT DIAGRAM HD 7 PREMIUM (HUMIDIFIED), AUTOMATIC WATER FILLING


WIRING DIAGRAM HD 7 PREMIUM (HUMIDIFIED), AUTOMATIC WATER FILLING

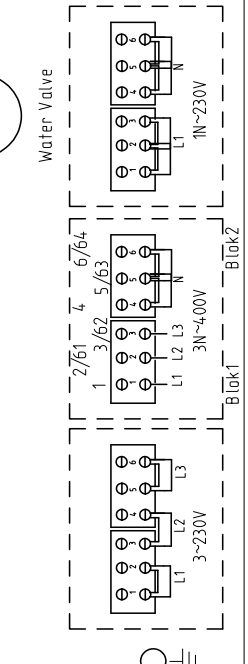
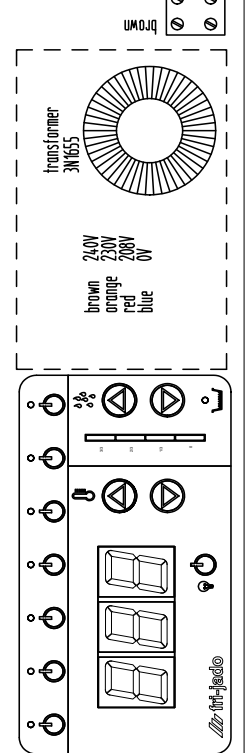


revision	revision date	description revision
B	30.01.2008	Wire numbers
A	10.10.2007	Transformer for Lamps

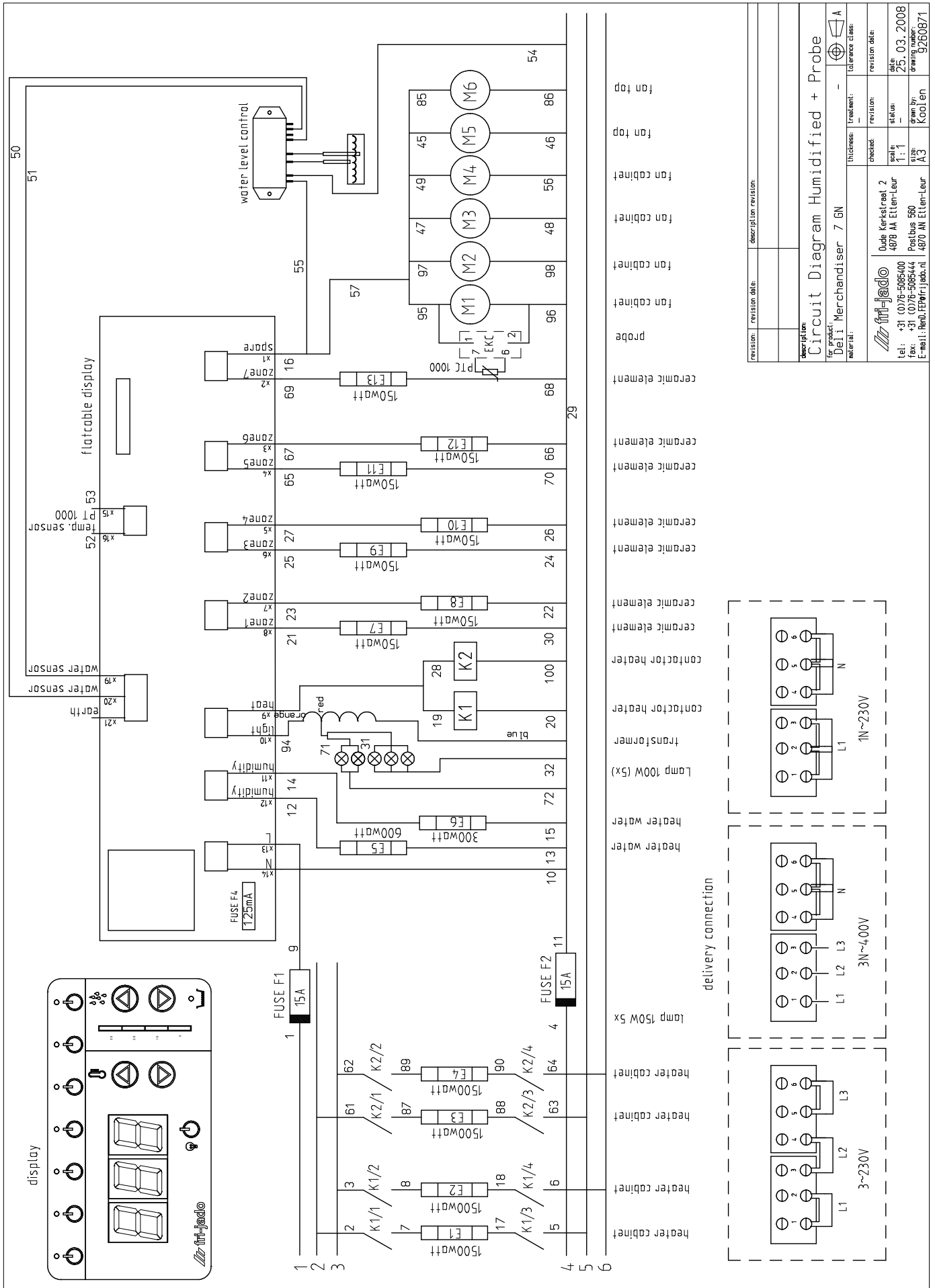
description	revision	revision date	date	date	date	date	date
WIRING DIAGRAM AUTOM. WATER FILLING	B	30.01.2008	30.01.2008	30.01.2008	30.01.2008	30.01.2008	30.01.2008
for product:	Deli Merchandise	2	1:1	1:1	1:1	1:1	1:1
material:	Del i Merchandise	7 GN	1:1	1:1	1:1	1:1	1:1

thickness	revision	revision date	date	date	date	date
1:1	B	30.01.2008	30.01.2008	30.01.2008	30.01.2008	30.01.2008
1:1	A	10.10.2007	10.10.2007	10.10.2007	10.10.2007	10.10.2007

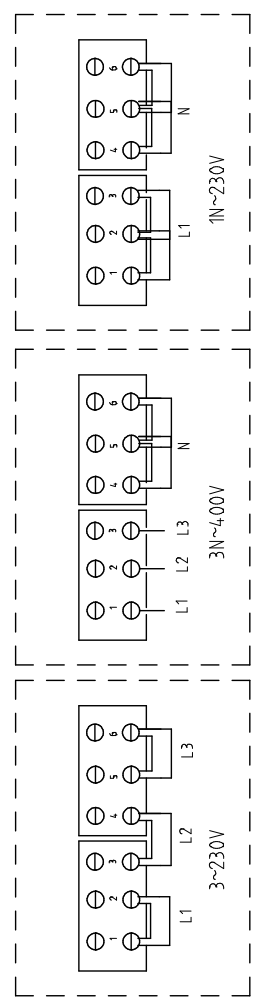
thickness	revision	revision date	date	date	date	date
1:1	B	30.01.2008	30.01.2008	30.01.2008	30.01.2008	30.01.2008
1:1	A	10.10.2007	10.10.2007	10.10.2007	10.10.2007	10.10.2007



CIRCUIT DIAGRAM HD 7 PREMIUM (HUMIDIFIED) WITH PROBE

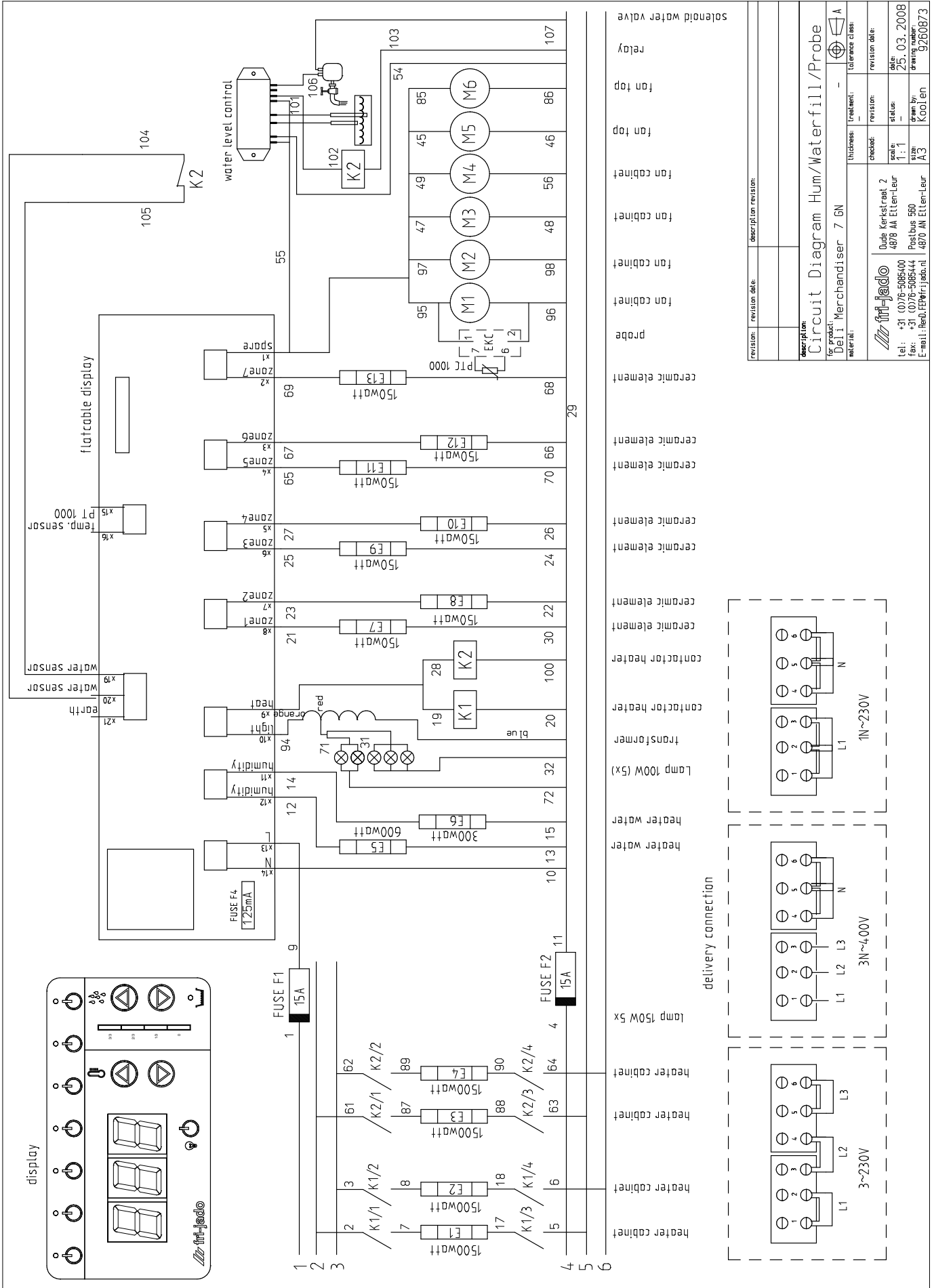


revision:	revision date:	description revision:	thickness:	checked:	revision:	tolerance class:
description: Circuit Diagram Humidified + Probe for product: Deli Merchandiser 7 GN						
			Dude Kerstraat 2 4878 AA Ellen-Leur			
tel: +31 (0)76-5085400 fax: +31 (0)76-5085444 E-mail: help@fri-jado.nl			date: 25. 03. 2008 status: drawn by: KCO ten drawing number: 9260871			

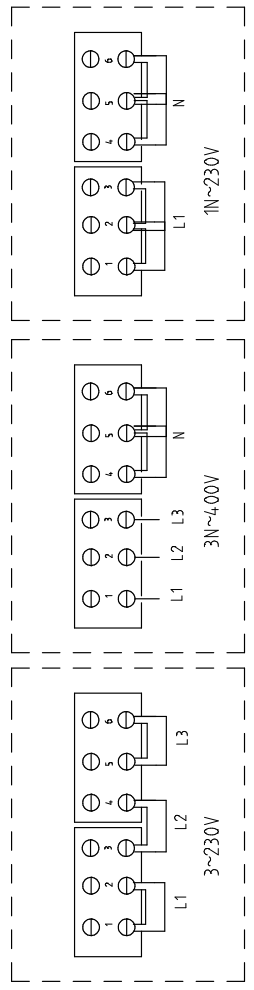


- heater cabinet
- heater cabinet
- heater cabinet
- heater cabinet
- heater water
- heater water
- Lamp 100W (5x)
- transformer
- contactor heater
- contactor heater
- ceramic element
- ceramic element
- ceramic element
- ceramic element
- ceramic element
- ceramic element
- ceramic element
- ceramic element
- probe
- fan cabinet
- fan cabinet
- fan cabinet
- fan cabinet
- fan top
- fan top

CIRCUIT DIAGRAM HD 7 PREMIUM (HUMIDIFIED) WITH PROBE, AUTOM. WATER FILLING



revision:	revision date:	description:	revision:
		Circuit Diagram Hum/Waterfill/Probe	
for product:		Deli Merchandise 7 GN	
material:		fri-jado	
checked:	revision:	status:	date:
		1:1	25.03.2008
drawn by:	drawn date:	scale:	drawing number:
Koolen		A3	9260873
address:	checked:	revision:	revision date:
Oude Kerkstraat, 2			
4878 AA Etten-Leur			
Postbus 950			
Tel: +31 (0)76-5085400			
Fax: +31 (0)76-5085444			
E-mail: HrdL-HrdR@fri-jado.nl			
	tolerance class:		



EMPTY PAGE

EMPTY PAGE

