

SPARES DIAGRAMS AND STOCK CODES STANDARD RANGE

DC SERIES FROM 2003



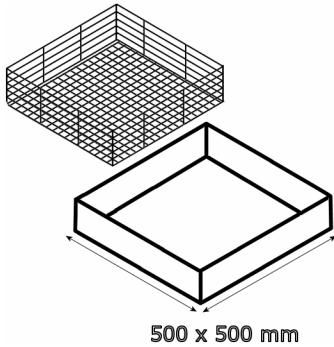
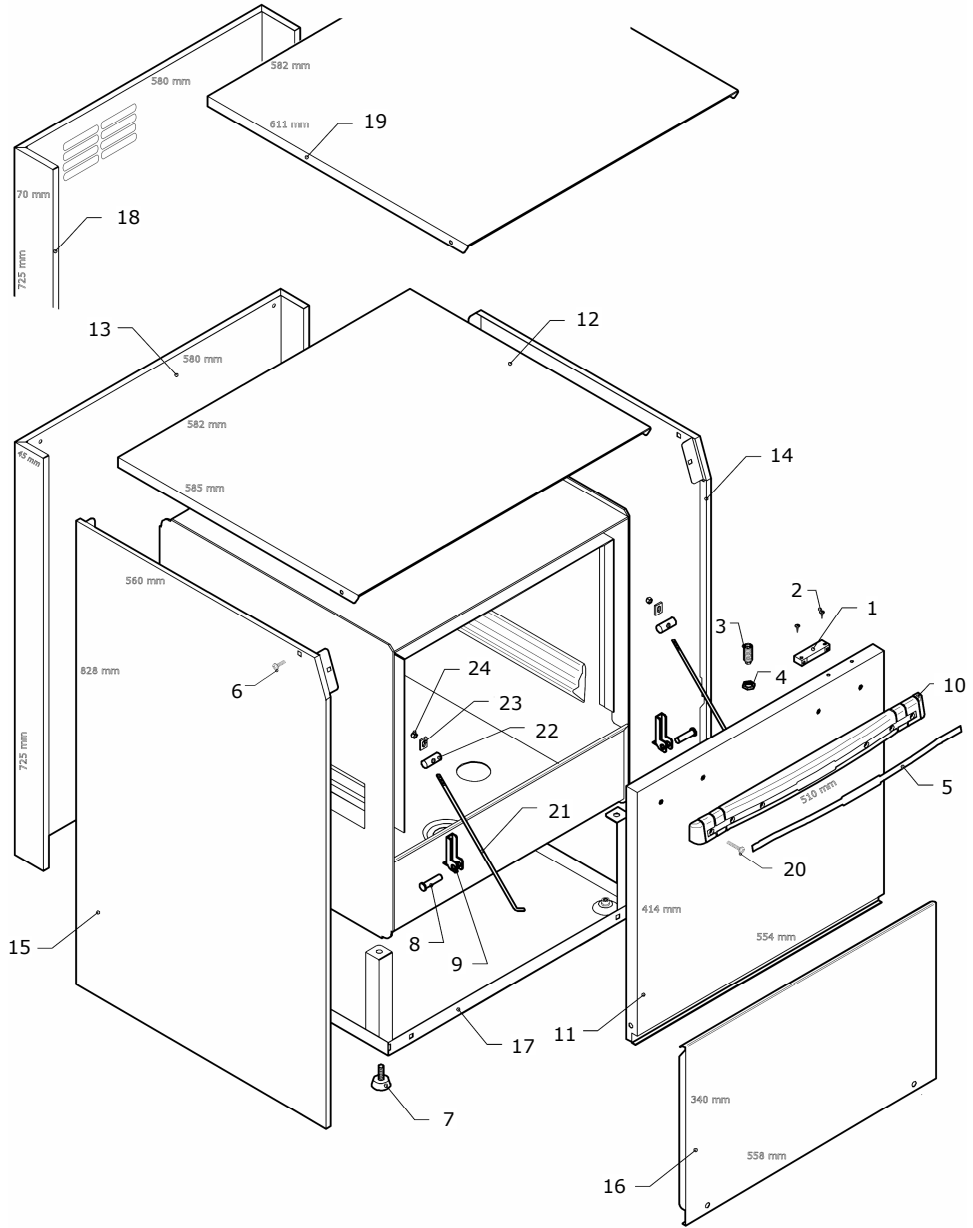
DC050
DC050-WP



DC070
DC070-A
DC070-WP
DC070-A,WP

POS CODE DESCRIPTION

- 1 TR0220 DOOR MAGNET
- 2 907654 SCREW-DOOR MAGNET FIXING
- 3 906121 DOOR CATCH + NUT-S/STEEL
- 4 902023 NUT-DOOR CATCH
- 5 901661 HANDLE TRIM-DC SERIES/BLUE
- 6 907862 SCREW BOLT-PANEL FIXING
- 7 904990 FOOT M10
- 8 904795 DOOR PIN
- 9 901245 DOOR SUPPORT
- 10 903933 HANDLE PLASTIC
- 11 929330 DOOR
- 12 929331 PANEL-TOP
- 13 929332 PANEL-REAR
- 14 929333 PANEL-R/H SIDE
- 15 929334 PANEL-L/H SIDE
- 16 929335 PANEL-LOWER FRONT
- 17 929336 BASE-STRUCTURE
- 18 929337 PANEL-REAR-BREAK TANK MODELS
- 19 929338 PANEL-TOP-BREAK TANK MODELS
- 20 927734 SCREW BOLT-HANDLE FIXING
- 21 907240 DOOR STAY
- 22 905424 DOOR STOP
- 23 904952 DOOR STAY GUIDE
- 24 902040 DOOR STAY NUT

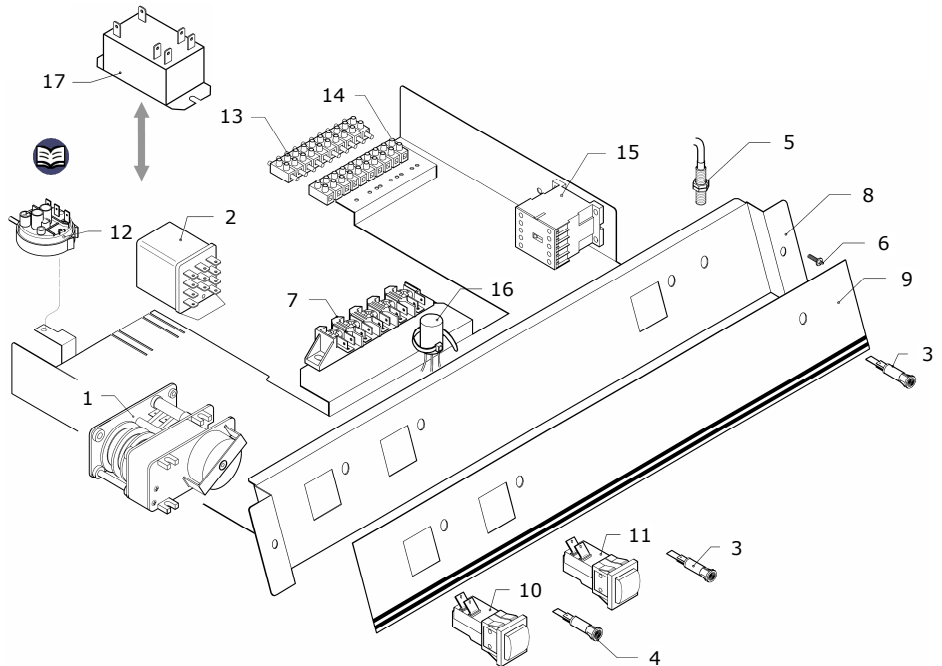


DC050/DC070

FIG. 2

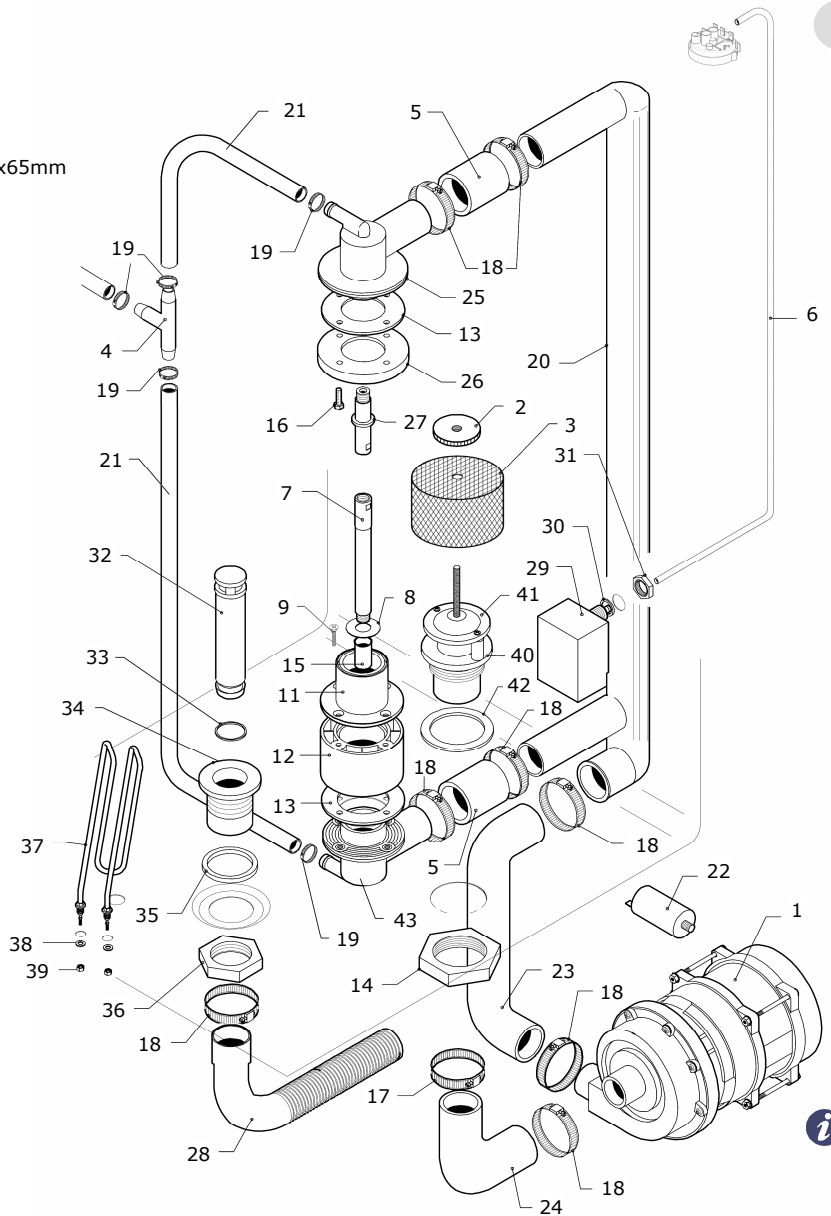
POS CODE DESCRIPTION

- 1 907172 TIMER UNIT 2 MINUTE-DC050/GLASS
- 1 907180 TIMER UNIT 3 MINUTE-DC070/DISH
- 2 905479 RELAY 11-PIN
- 3 903629 LAMP-AMBER
- 4 903632 LAMP-GREEN
- 5 TR0309 SWITCH-REED MAGNETIC-SENSOR
- 6 907862 SCREW BOLT-PANEL FIXING
- 7 904150 TERMINAL BLOCK-MAINS-6 POLE
- 8 904672 PANEL-CONTROL-S/STEEL
- 9 907013 PANEL-FACIA/GRAFIX
- 10 925325 SWITCH-ON/OFF-2 PIN-GREY
- 11 925332 SWITCH-CYCLE START-GREY
- 12 905270 PRESSURE SWITCH-40/20-WASH TANK
- 13 904200 TERMINAL BLOCK 10 POLE-M
- 14 904170 TERMINAL BLOCK 10 POLE-F
- 15 907045 CONTACTOR 9a /250 v
- 16 902105 NOISE FILTER-SUPPRESSOR
- 17 925474 RELAY-6 PIN 240v/BLACK



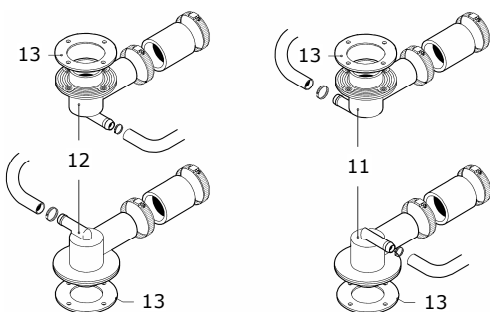
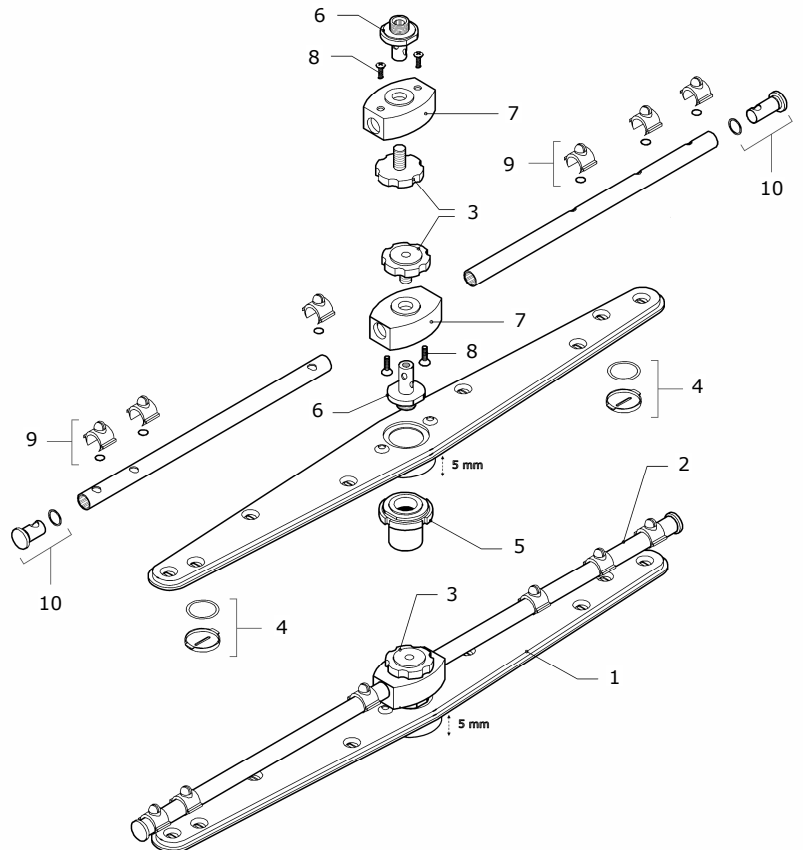
POS CODE DESCRIPTION

1	902263	PUMP WASH 0.40 kw
2	902850	NUT-FILTER-PLASTIC
3	902590	FILTER-BOWL/HOUSING PUMP INLET~145x65mm
4	905382	TEE-HOSE RINSE HOSE/EQUAL TEE
5	903756	HOSE-CONECT-WASH HOSE
6	907279	TUBE-CLEAR-SILICON
7	908705	WASH PIN-HUB-LOWER
8	906002	WASHER-HUB-LOWER
9	929400	BOLT-HUB-LOWER
10	908141	GASKET-HUB LOWER
11	905388	HUB-LOWER-PLASTIC-PART ASSEMBLY
12	908702	COLLOR-HUB LOWER
13	908141	GASKET-HUB-UPPER/LOWER
14	902090	NUT-HOUSING PUMP INLET
15	908456	SLEVE-REDUCING-S/STEEL
16	907871	BOLT-S/STEEL-HUB UPPER
17	902481	CLIP 44-56 SIZE 56
18	902441	CLIP 38-50 / SIZE 50
19	902440	CLIP 13-20 / SIZE 20
20	908701	HOSE-WASH-UPPER/LOWER-PLASTIC
21	907360	HOSE-RINSE 10x17
22	901730	CAPACITOR / 10 uf
23	923876	HOSE-PUMP-OUTLET
24	903875	HOSE-PUMP-INLET
25	905456	HUB INLET HOUSING-UPPER/LOWER
26	902184	FLANGE-INT-HUB UPPER
27	904799	WASH PIN-UPPER
28	907450	HOSE-WASTE D=32.0
29	907252	AIR TRAP H=90mm
30	903260	GASKET-AIR TRAP 3/8"
31	902100	NUT 3/8"
32	907301	DRAIN PLUG + O-RING H=113mm
33	904404	O-RING-DRAIN PLUG
34	906464	HOUSING-DRAIN PLUG
35	904380	GASKET-HOUSING
36	902080	NUT-HOUSING
37	905745	ELEMENT-WASH TANK 2.500 kw
38	904391	O-RING-WASH TANK ELEMENT
39	923393	NUT-BRASS-ELEMENT FIXING
40	925390	HOUSING-PUMP INLET H=40mm
41	900007	COVER-HOUSING INLET H=40mm
42	903320	GASKET-HOUSING INLET
43	905449	HUB INLET HOUSING-UPPER/LOWER



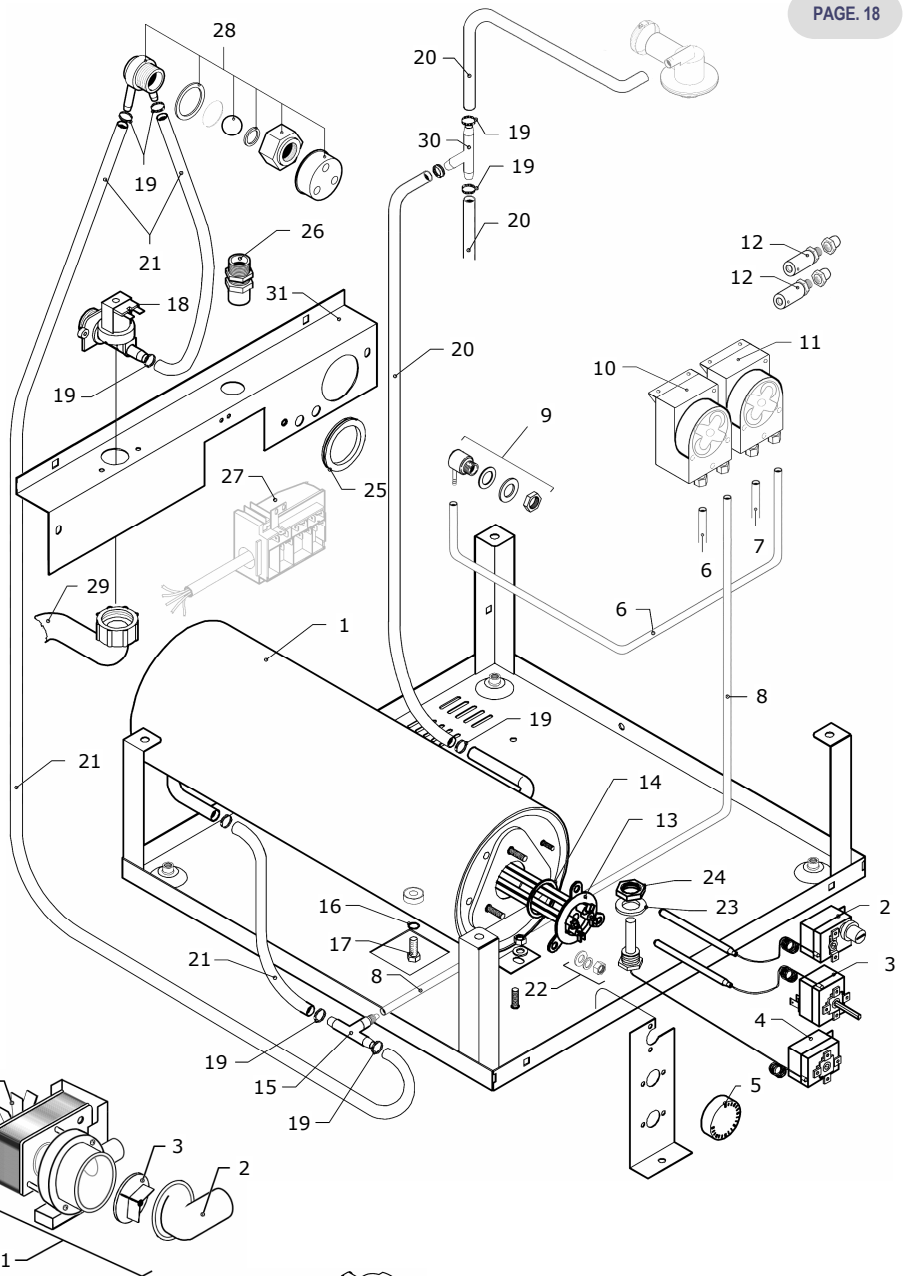
POS CODE DESCRIPTION

1	923107	WASH ARM-COMPLETE -5mm RIM
2	903017	RINSE ARM-COMPLETE
3	902880	NUT-RINSE ARM-PLASTIC
4	906445	INSPECTION CLEANING CAP + O-RING
5	904277	BOSS + NUT/WASH ARM
6	904760	RINSE PIN-S/STEEL
7	904292	BOSS-RINSE ARM
8	907651	SCREW-4x8mm-S/STEEL-BOSS RINSE ARM
9	902816	JET-RINSE + O-RING
10	906451	END CAP-RINSE ARM + O-RING
11	905449	HUB INLET HOUSING-UPPER/LOWER
12	905456	HUB INLET HOUSING-UPPER/LOWER
13	908141	GASKET-HUB-UPPER/LOWER



POS CODE DESCRIPTION

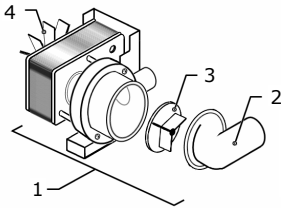
1	900353	BOILER
2	907125	THERMOSTAT-SAFETY 90-110c
3	907100	THERMOSTAT-BOILER 0-90c
4	907124	THERMOSTAT-WASH TANK 30-90c
5	903982	DIAL CONTROL-THERMOSTAT
6	907270	TUBE-CLEAR
7	907274	TUBE-DETERGENT-RED
8	907279	TUBE-CLEAR-SILICON
9	902366	ELBOW-FITTING-DETERGENT
10	922344	PUMP RINSE AID-PERISTALTIC-G302
11	922340	PUMP DETERGENT-PERISTALTIC-G300
12	906621	WEIGHT/FILTER UNIT-COMBINED
13	905569	ELEMENT-BOILER 3.500kw + O-RING
14	907981	O-RING-BOILER ELEMENT
15	908150	TEE-RINSE AID + NON RETURN VALVE
16	904430	O-RING-DRAIN BOLT-BOILER
17	907820	DRAIN BOLT-BOILER M-8 x 12
18	902390	SOLENOID VALVE-1 WAY
19	902440	CLIP 13-20/SIZE 20
20	907360	HOSE-RINSE 10x17
21	907295	HOSE-RINSE 12x19.5
22	923392	NUT-SET/ELEMENT FIXING
23	904991	GASKET-THERMOSTAT
24	902104	NUT-PROBE 3/8"
25	904721	FAIRLEAD-HOSE PROTECTION
26	902687	CLAMP-CABLE-MAINS LEAD
27	904171	TERMINAL BOX-MAINS-EXTERIOR
28	TR2433	VALVE-NON RETURN-ANTI SYPHON
29	907344	HOSE-MAINS WATER INLET-L=1500
30	905382	TEE-HOSE RINSE HOSE/EQUAL TEE
31	903434	PANEL-REAR STRUCTURE-SUPPORT



WASTE PUMP-PARTS

POS CODE DESCRIPTION

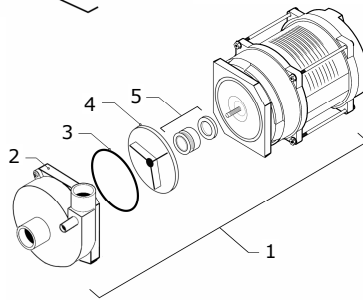
1	902348	PUMP-WASTE
2	922339	IMPELLOR HOUSING-WASTE PUMP
3	902097	IMPELLOR-WASTE PUMP
4	920031	FAN-WASTE PUMP



RINSE BOOSTER PUMP-PARTS

POS CODE DESCRIPTION

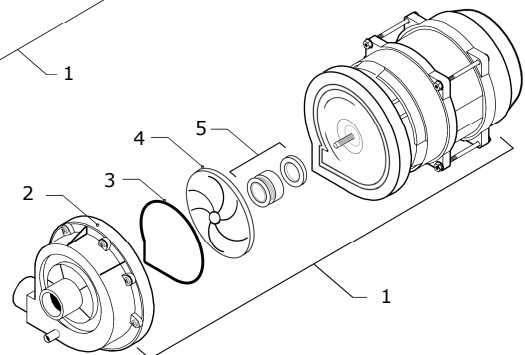
1	902235	RINSE BOOSTER PUMP 0.20 kw
2	902235A	IMPELLOR HOUSING
3	902235B	SEAL-IMPELLOR HOUSING
4	902235C	IMPELLOR
5	902235D	SEAL-INNER SHAFT



WASH PUMP-PARTS

POS CODE DESCRIPTION

1	902263	PUMP WASH 0.40 kw
2	902263A	IMPELLOR HOUSING
3	902263B	SEAL-IMPELLOR HOUSING
4	902263C	IMPELLOR
5	902263D	SEAL-INNER SHAFT



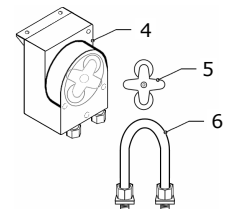
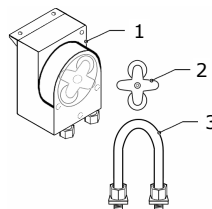
PERISTALTIC PUMP-PARTS

POS CODE DESCRIPTION

1	922344	PUMP RINSE AID-PERISTALTIC-G302
2	920091	ROTOR-PUMP-RINSE AID-GERMAC-G302
3	908323	PERISTALTIC TUBE RINSE AID-GERMAC-G302
4	922340	PUMP DETERGENT-PERISTALTIC-G300
5	920090	ROTOR-PUMP-DETERGENT-GERMAC-G300
6	907287	PERISTALTIC TUBE-PUMP DETERGENT-GERMAC-G300

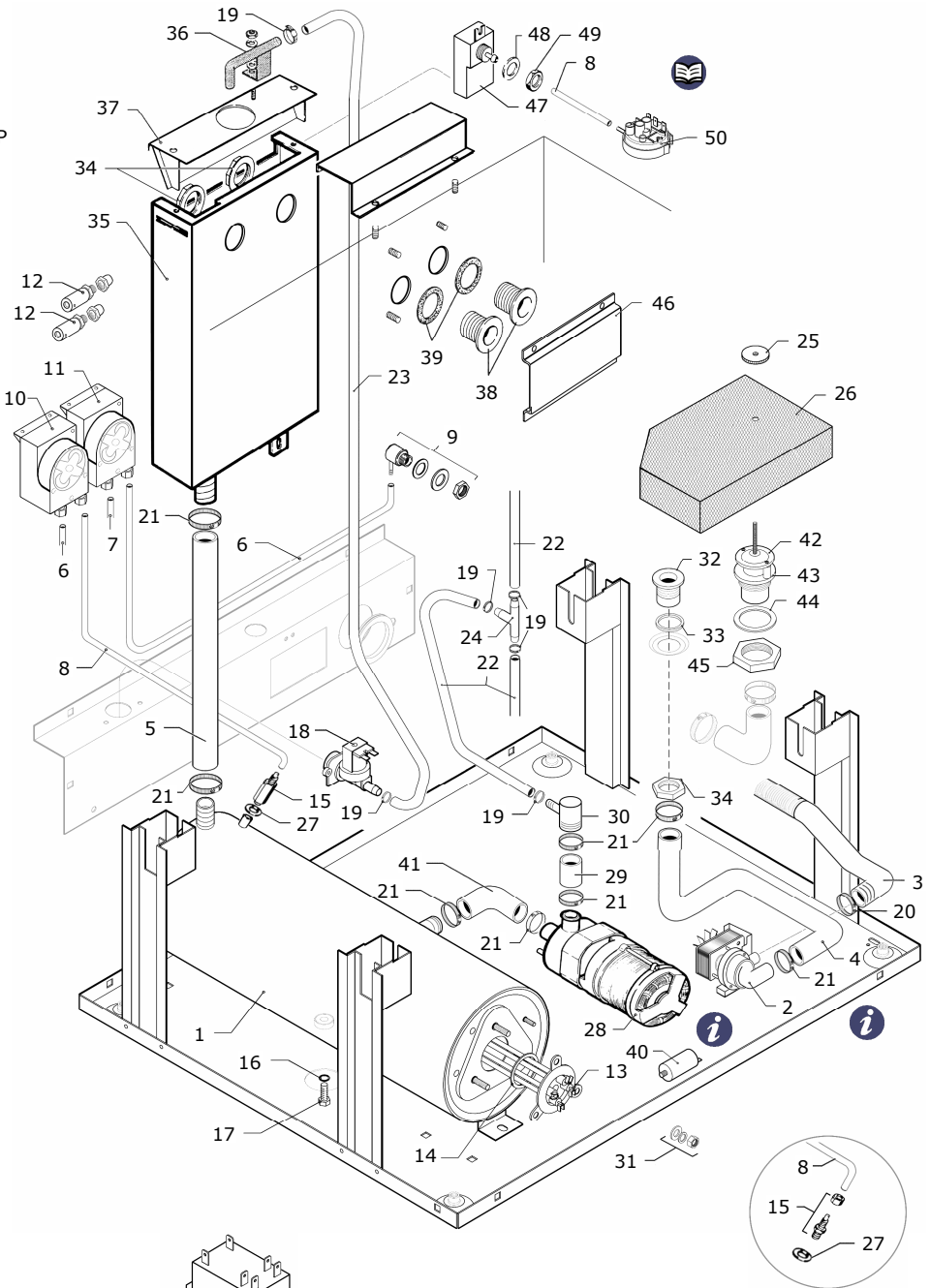
RINSE AID PUMP G302/GREEN

DETERGENT PUMP G300/GREEN



POS CODE DESCRIPTION

1	900363	BOILER TYPE "A"
2	902348	PUMP-WASTE
3	907439	HOSE-WASTE D=18.5/L=2000
4	903677	HOSE-HOUSING DRAIN TO WASTE PUMP
5	903675	HOSE-BREAK TANK HOSE
6	907270	TUBE-CLEAR
7	907274	TUBE-DETERGENT-RED
8	907279	TUBE-CLEAR-SILICON
9	902366	ELBOW-FITTING-DETERGENT
10	922344	PUMP RINSE AID-PERISTALTIC
11	922340	PUMP DETERGENT-PERISTALTIC
12	906621	WEIGHT/FILTER UNIT-COMBINED
13	905569	ELEMENT-BOILER 3.500kw + O-RING
14	907981	O-RING-BOILER ELEMENT
15	920060	VALVE -NON RETURN-RINSE AID
15	906426	FITTING-RINSE AID-BRASS + NUT
16	904430	O-RING-DRAIN BOLT-BOILER
17	907820	DRAIN BOLT-BOILER M-8 x 12
18	902390	SOLENOID VALVE-1 WAY
19	902440	CLIP 13-20/SIZE 20
20	902454	CLIP 19-28/SIZE 28
21	902460	CLIP 26-38/SIZE 38
22	907360	HOSE-RINSE 10x17
23	907295	HOSE-RINSE 12x19.5
24	905382	TEE-HOSE RINSE HOSE/EQUAL TEE
25	902850	NUT-FILTER-PLASTIC
26	906705	FILTER BOX-WASH PUMP/WASTE PUMP
27	920061	GASKET-FIBER-NRV
28	902235	PUMP 0.20 kw-RINSE BOOSTER PUMP
29	903714	HOSE-OUTLET-R.B.P
30	901651	ELBOW-REDUCING-RBP-S/STEEL
31	923392	NUT-SET/ELEMENT FIXING
32	906464	HOUSING-DRAIN PLUG
33	904380	GASKET-HOUSING
34	902080	NUT-HOUSING
35	900000	BREAK TANK
36	900002	TAP-OUTLET-BREAK TANK
37	900001	COVER-BREAK TANK-TOP
38	TR1234	HOUSING OVERFLOW-BREAK TANK
39	903325	GASKET-HOUSING OVERFLOW
40	901744	CAPACITOR-6.3 uf
41	903713	HOSE-INLET-R.B.P
42	900007	COVER-HOUSING INLET H=40mm
43	927708	HOUSING-PUMP INLET H=40mm
44	903320	GASKET-HOUSING-PUMP INLET
45	902090	NUT-HOUSING-PUMP INLET
46	900024	COVER-BREAK TANK-OUTLET
47	907252	AIR TRAP H=90-BREAK TANK
48	903260	GASKET-AIR TRAP 3/8"
49	902100	NUT 3/8"
50	905270	PRESSURE SWITCH-40/20-BREAK TANK

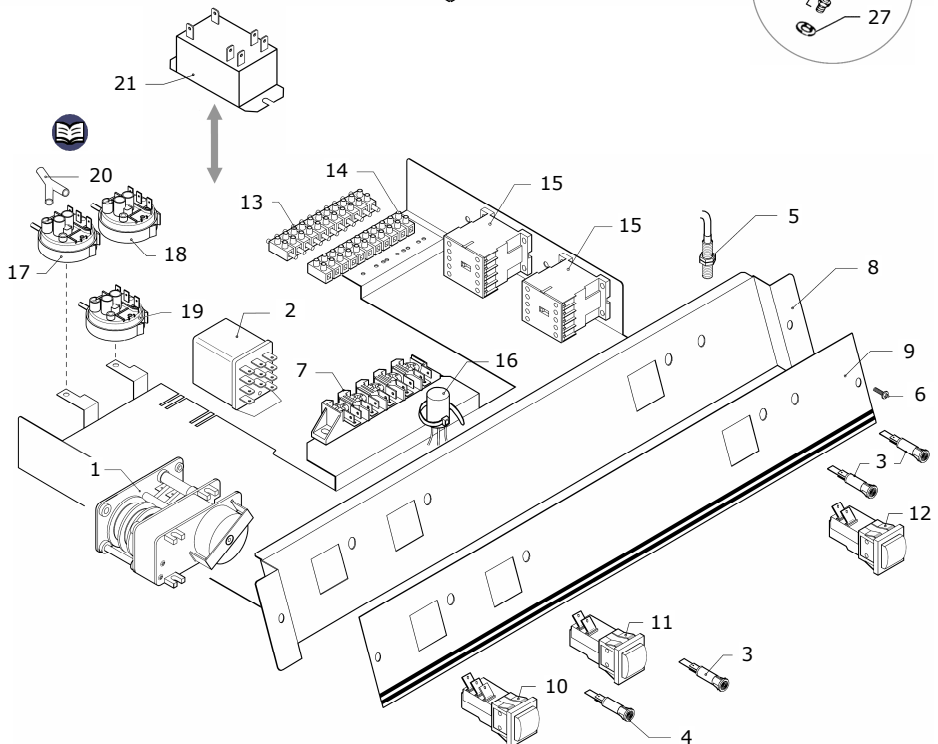


DC050-WP/DC070-A,WP

FIG. 7

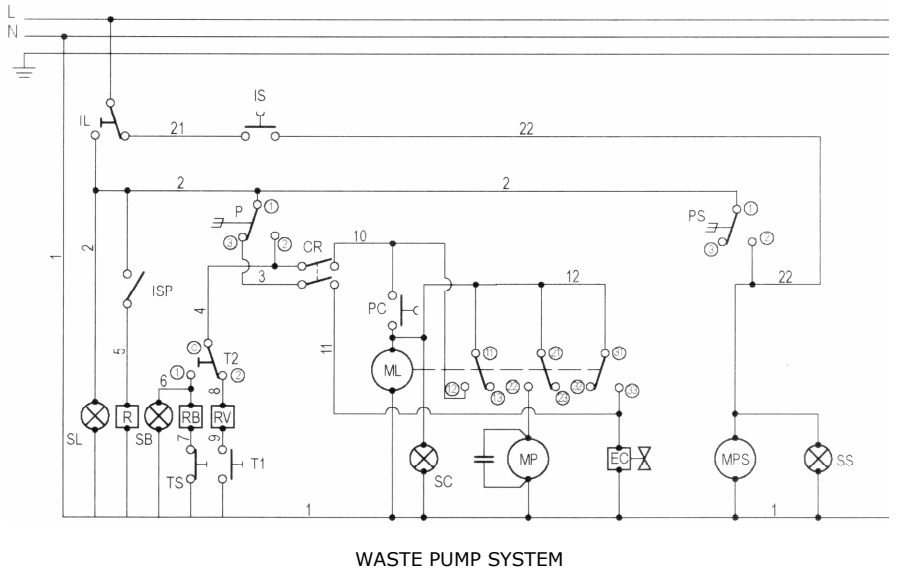
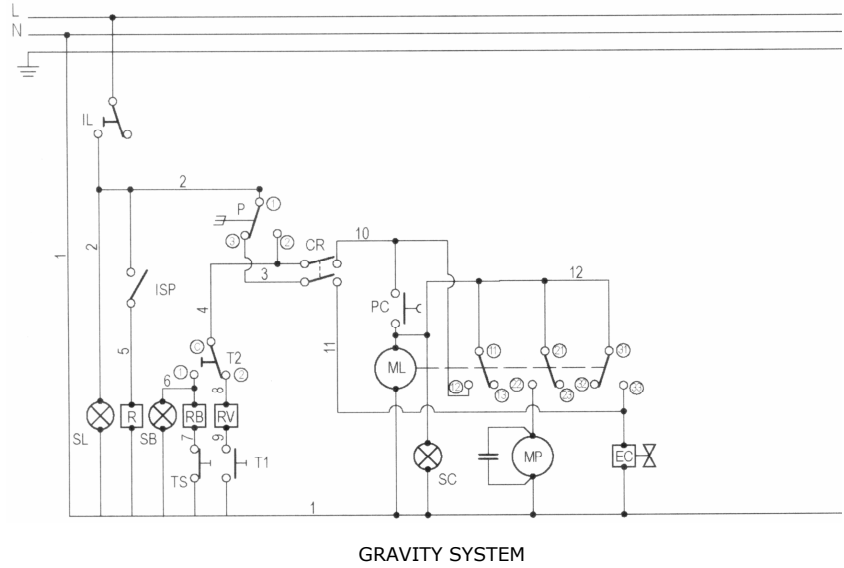
POS CODE DESCRIPTION

1	907172	TIMER UNIT 2 MINUTE-DC045/GLASS
1	907180	TIMER UNIT 3 MINUTE-DC060/DISH
2	905479	RELAY 11-PIN
3	903629	LAMP-AMBER
4	903632	LAMP-GREEN
5	TR0309	SWITCH-REED MAGNETIC-SENSOR
6	907862	SCREW BOLT-PANEL FIXING
7	904150	TERMINAL BLOCK-MAINS-6 POLE
8	904672	PANEL-CONTROL-S/STEEL
9	907013	PANEL-FACIA/GRAFIX
10	925334	SWITCH-ON/OFF-3 PIN-WP-GREY
11	925332	SWITCH-CYCLE START-GREY
12	925337	SWITCH-WASTE PUMP-GREY
13	904200	TERMINAL BLOCK 10 POLE-M
14	904170	TERMINAL BLOCK 10 POLE-F
15	907045	CONTACTOR 9a /250 v
16	902105	NOISE FILTER-SUPPRESSOR
17	905270	PRESSURE SWITCH-40/20-WASH TANK
18	905287	PRESSURE SWITCH-55/37,2-WASTE PUMP
19	905270	PRESSURE SWITCH-40/20-BREAK TANK
20	905423	Y-PIECE PRESSURE SWITCH/TUBE
21	925474	RELAY-6 PIN 240v/BLACK



ELECTRICAL

- CR DOOR MICRO SWITCH CONTACT
- EC RINSE SOLNOID VALVE
- EF COLD RINSE SOLENOID VALVE V.2
- IL LINE SWITCH
- ISP DOOR SAFTY REED SWITCH
- ML TIMER
- MP WASH PUMP MOTOR
- MPS WASTE PUMP MOTOR
- MR REGENERATION TIMER
- P PRESSURE SWITCH
- PC CYCLE SWITCH
- MPS WASTE PUMP
- PS WASTE PUMP
- PRF COLD RINSE SWITCH
- R DOOR SWITCH RELAY
- RB BOILER ELEMENT
- RV WASH TANK ELEMENT
- SB BOILER READY LAMP
- SC CYCLE LAMP
- SL ON/OFF LAMP
- SS WASTE PUMP LAMP
- SRF COLD RINSE LAMP
- T1 THERMOSTAT-WASH TANK
- T2 THERMOSTAT-BOILER
- TS THERMOSTAT-SAFTY-OVERLOAD



WASTE PUMP-PARTS v.2

FIG. 9

POS	CODE	DESCRIPTION
1	902341	PUMP-WASTE-FITTED FILTER ASSEMBLY
2	906431	FILTER ASSEMBLY-WASTE PUMP
3	902339	IMPELLOR HOUSING-FILTER-WASTE PUMP
4	902097	IMPELLOR-WASTE PUMP
5	920031	FAN-WASTE PUMP

