

W184/-MP, FL184/-MP

List of issues

Group
Grupp
WA23

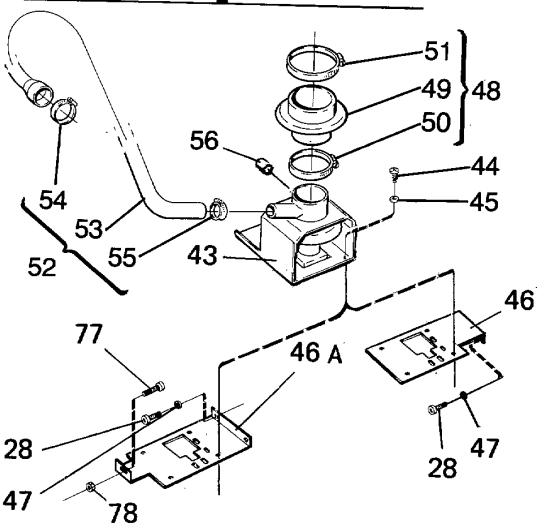
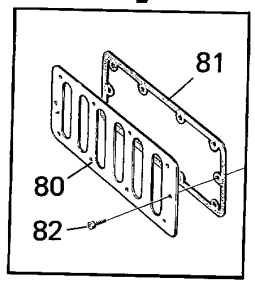
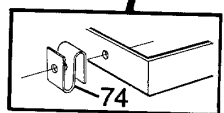
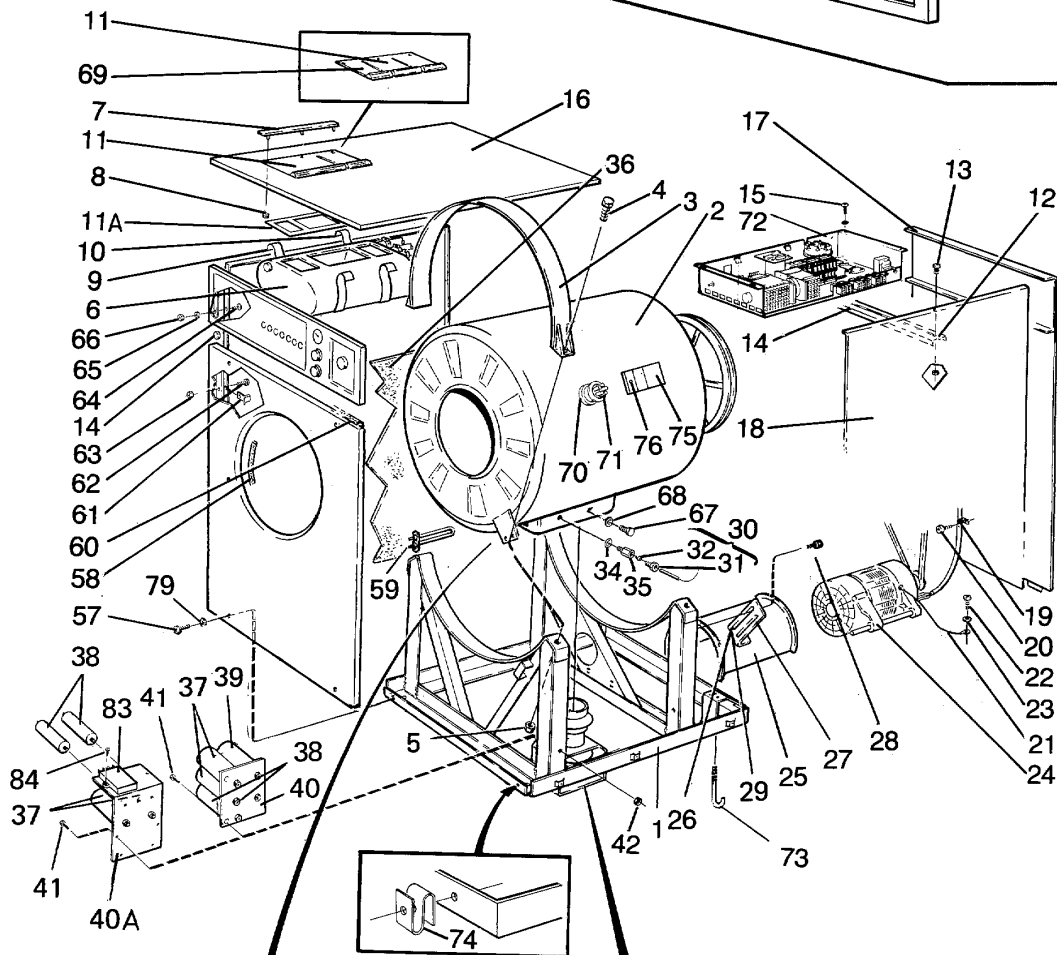
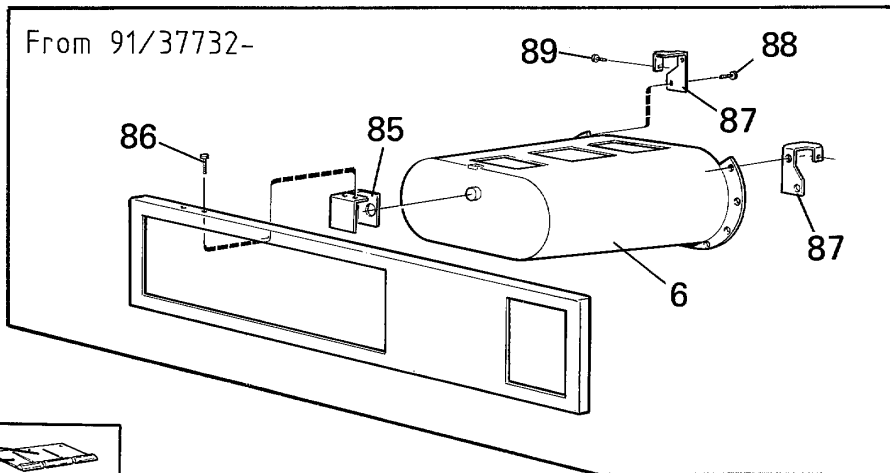
W184,FL184,W184MP,FL184MP

Illustration	Page	Table of contents
100044	101	Inlet valve 3/4", single
100045	103	Inlet valve 3/4", 2-way
100046	105	Inlet valve 3/4", 3-way
100207	93	Control unit FL-MP
100259	89	Control unit MP
100260	85	Control unit
100261	29	Control panel without coin meter
100262	37	Control panel, coin meter
100263	39	Control panel, manual MP
100264	41	Control panel, coin meter
100273	91	Control unit FL
100275	35	Control panel
100283	61	P1, connection cold water
100284	63	P2, P5, connection cold and hot water
100285	67	P3, connection cold water
100287	69	FL184-machines with heating
100288	71	FL184-machines with inlet for cold hard water
100289	65	P3, connection cold water
100295	31	Control panel
100296	21	Control panel without coin meter
100304	57	Rear panel with components
100334	45	Control panel
100352	23	Control panel with coin meter
100353	25	Control panel with coin meter
100355	47	Control panel, FL-MP
100392	43	Control panel
100395	7	Main exploded view
100396	11	Main exploded view
100397	15	Front panel with control panel, door, top panel
100398	53	Back plate with inner drum, bearing, pulley, motor
100399	77	Steam components
100400	79	Steam components
100402	81	Gas
100403	83	Conversion electric to steam
100556	95	Control unit MP GEN III
100558	49	Control panel with coin meter PE11 GEN III
100562	97	Drain valve
100563	99	Drain valve
100582	107	Motor
100605	109	Card programmer
100613	127	Door lock
100634	129	Detergent container
100638	113	Coin meter
100666	119	Electronic coin meter
100749	51	Control panel without coin meter PE11, PE02
100794	73	Cold, hot and hard water
100795	19	Top panel with extra TMPF and hoses
100814	75	P1, connection cold hard water
100826	111	Memory cartridge complete
100966	123	CP800
100967	125	CP800

W184,FL184,W184MP,FL184MP

Table of contents	Innehållsförteckning	Page/Sida
Main exploded view	Huvudsprängskiss	7
Main exploded view	Huvudsprängskiss	11
Front panel with control panel, door, top panel	Frontplåt m manöverpanel,lucka,topplock	15
Top panel with extra TMPF and hoses	Topplock med extra TMPF och slangar	19
Control panel without coin meter	Manöverpanel utan myntmätare	21
Control panel with coin meter	Manöverpanel med myntm.	23
Control panel with coin meter	Manöverpanel med myntm.	25
Control panel without coin meter	Manöverpanel utan myntmätare	29
Control panel	Manöverpanel	31
Control panel	Manöverpanel	35
Control panel, coin meter	Manöverpanel,myntmätare	37
Control panel, manual MP	Manöverpanel,manuell MP	39
Control panel, coin meter	Manöverpanel,myntmätare	41
Control panel	Manöverpanel	43
Control panel	Manöverpanel	45
Control panel, FL-MP	Manöverpanel,FL-MP	47
Control panel with coin meter PE11 GEN III	Manöverpanel med myntmätare PE11 GEN III	49
Control panel without coin meter PE11, PE02	Manöverpanel utan myntmätare PE11,PE02	51
Back plate with inner drum, bearing, pulley, motor	Bakgavel m innertr.lagr.remsk.motor	53
Rear panel with components	Bakstycke med detaljer	57
P1, connection cold water	P1,anslutning k.v	61
P2, P5, connection cold and hot water	P2,P5,anslutning kallt och varmt vatten	63
P3, connection cold water	P3,anslutning k.v	65
P3, connection cold water	P3,anslutning k.v	67
FL184-machines with heating	FL184-maskiner med uppvärmning	69
FL184-machines with inlet for cold hard water	FL184-maskiner med k.v.h	71
Cold, hot and hard water	Kallt,varmt och hårt vatten	73
P1, connection cold hard water	P1,anslutning k.v.h	75
Steam components	Ångdetaljer	77
Steam components	Ångdetaljer	79
Gas	Gas	81
Conversion electric to steam	Ombyggnad el till ånga	83
Control unit	Automatenhet	85
Control unit MP	Automatenhet MP	89
Control unit FL	Automatenhet FL	91
Control unit FL-MP	Automatenhet FL-MP	93
Control unit MP GEN III	Automatenhet MP GEN III	95
Drain valve	Avloppsventil	97
Drain valve	Avloppsventil	99
Inlet valve 3/4", single	Tilloppsventil 3/4",enkel	101
Inlet valve 3/4", 2-way	Tilloppsventil 3/4",2-vägs	103
Inlet valve 3/4", 3-way	Tilloppsventil 3/4",3-vägs	105
Motor	Motor	107
Card programmer	Plankortsautomat	109
Memory cartridge complete	Minneskassett kompl.	111
Coin meter	Myntmätare	113
Electronic coin meter	Elektronisk myntmätare	119
CP800	CP800	123
CP800	CP800	125
Door lock	Lucklås	127
Detergent container	Tvättmedelsbehållare	129

From 91/37732-



Issue	Month	Year
04	08	91

100395

W184,FL184

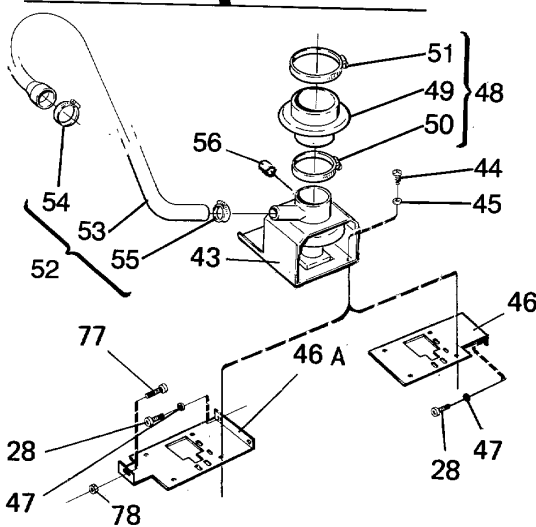
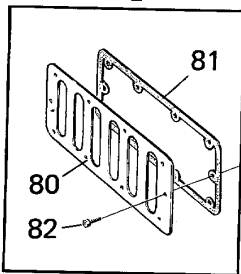
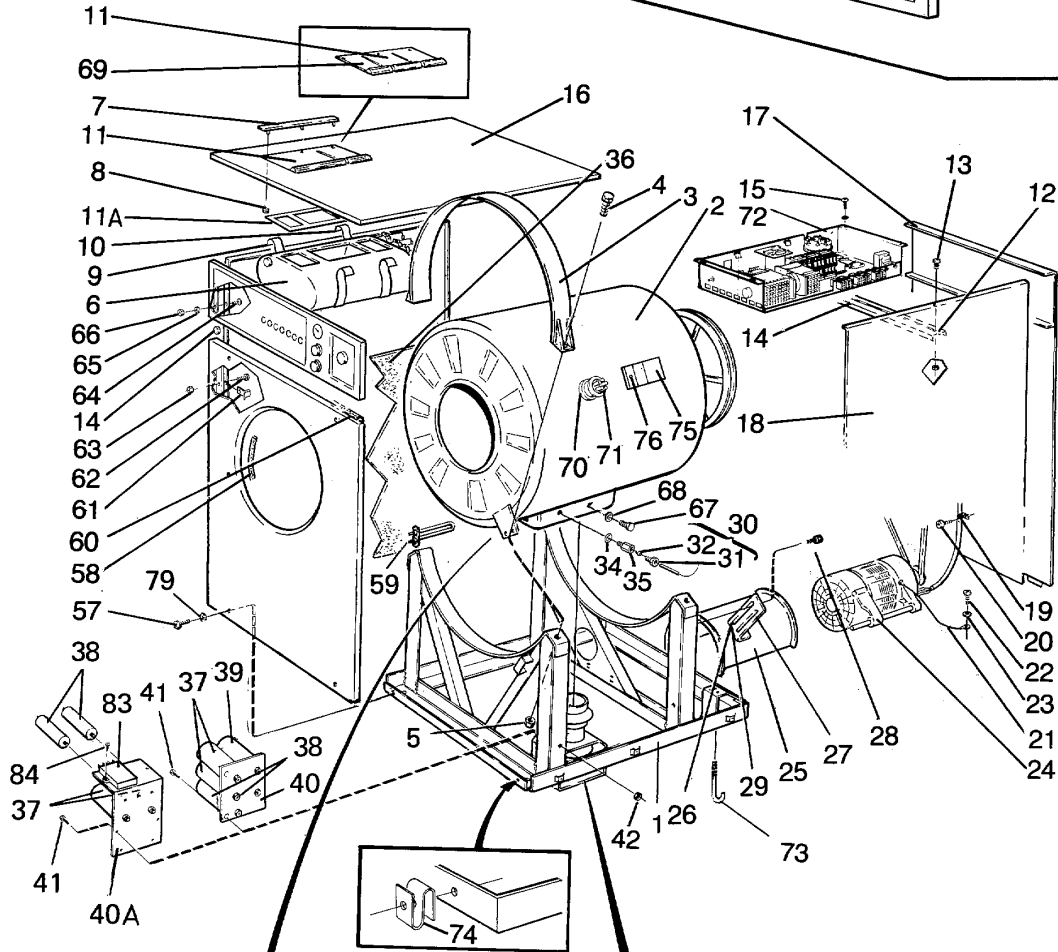
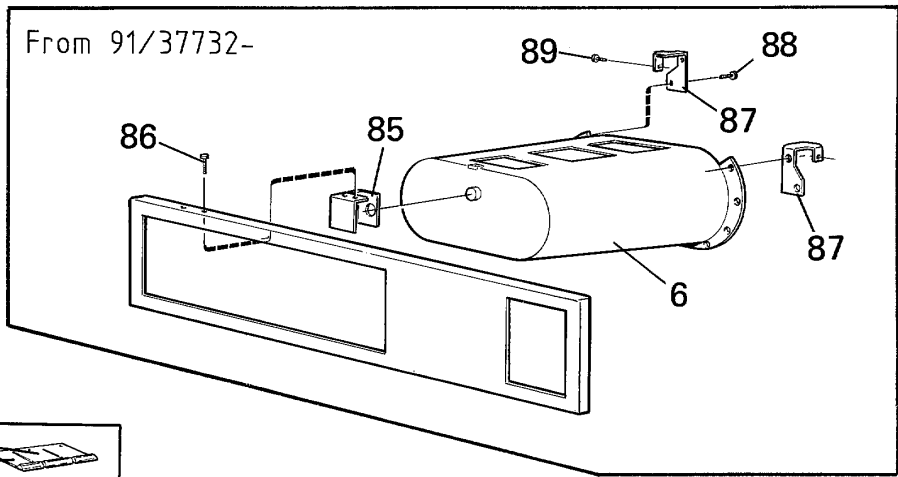
Main exploded view

Huvudsprängskiss

Illustration Issue Month Year
Illustration Utgåva Månad År
100395/7 6 5 2002

Item Pos.	Quantity Antal	Art.No Art.nr	Description	Benämning	Info Info	Notes Anmärkning
			W184			
			FL184			
1	1	471 4969-01	Frame	Stativ	3	
2	1	471 2915-02	Outer drum	Yttertrumma	3	Without heating
	1	471 2915-03	Outer drum	Yttertrumma	3	DS -87/4300
	1	471 2915-09	Outer drum	Yttertrumma	3	DS 82/4301-
	1	471 2915-04	Outer drum	Yttertrumma	3	EL,GAS
	1	471 2915-05	Outer drum	Yttertrumma	3	P5,P6
	1	471 2915-06	Outer drum	Yttertrumma	3	Without heating
	1	471 2915-07	Outer drum	Yttertrumma	3	DS -82/4300
	1	471 2915-10	Outer drum	Yttertrumma	3	82/4301,DS
	1	471 2915-08	Outer drum	Yttertrumma	3	EL,GAS
3	2	471 2432-62	Tension strap	Spännband	3	
4	4	725 2632-51	Screw	Skruv	3	M16X60
5	4	732 2124-01	Locking nut	Låsmutter	3	M16
6	1		Detergent container	Tvättmedelsbehållare	1,2	See group 8802
7	1		Rail	Skena	3	See group 8802
8	3		Nut	Mutter	3	M4
9	1	472 6152-01	Bracket	Hållare	3	-91/37731
10	1	472 6152-02	Bracket	Hållare	3	-91/37731
11	1		Cover	Lock	1	See group 8802
11A	1	471 4555-01	Gasket	Packning	1	-91/37731
	1	438 0078-01	Gasket	Packning	1	91/37732-
12	1	472 6516-02	Brace	Stag	3	
13	2	725 2289-61	Screw	Skruv	3	M4X10
14	4	471 8641-01	Plug	Plugg	3	
15	4	725 2289-61	Screw	Skruv	3	M4X10
16			Top panel	Topplock		See illustr. 100397
17			Rear panel	Bakstycke		See illustr. 100304
18	1	471 2438-75	Side panel	Sidoplåt	1	Stainless WITH HOLE, COUNTER
	2	471 2438-74	Side panel	Sidoplåt	1	Stainless
	1	471 2438-73	Side panel	Sidoplåt	1	White WITH HOLE FOR COUNTER
	2	471 2438-71	Side panel	Sidoplåt	1	White Left
	1	471 2438-72	Side panel	Sidoplåt	1	WHITE Right
19	6	471 2413-35	Bracket	Konsol	3	
20	6	729 5281-01	Screw	Skruv	3	RXS B6X12
21	1	471 2433-12	Ground cable	Jordkabel	3	
22	2	729 5342-01	Screw	Skruv	3	
23	1	735 2136-01	Lock washer	Låsbricka	3	AZ 4,3 4,3
24			Motor	Motor		See illustr. 100398
25	1	471 2474-02	Plate	Plåt	1	
26	1	471 2437-15	Rubber cushion	Kuts	3	
27	1	471 2438-14	Rail	Skena	3	
28	4	725 2370-61	Screw	Skruv	3	M6SF 6X20
29	2	722 7843-19	Pop rivet	Popnit	3	
30						Not used
31						Not used
32						Not used
33						Not used
34	1	740 4805-03	O-ring	O-ring	1	
35	1	471 8636-01	Nipple	Nippel	3	
36	2	471 2098-71	Insulating disc	Isolerskiva	3	400X700
37	2	471 9041-22	Capacitor	Kondensator	1,2	30µF 1AC
38	2	471 9525-25	Capacitor	Kondensator	1,2	130MF
39						Not used
40	1	471 2413-04	Plate	Plåt	3	
40A	1	471 4657-13	Mounting plate	Fästplåt	3	89/33475-

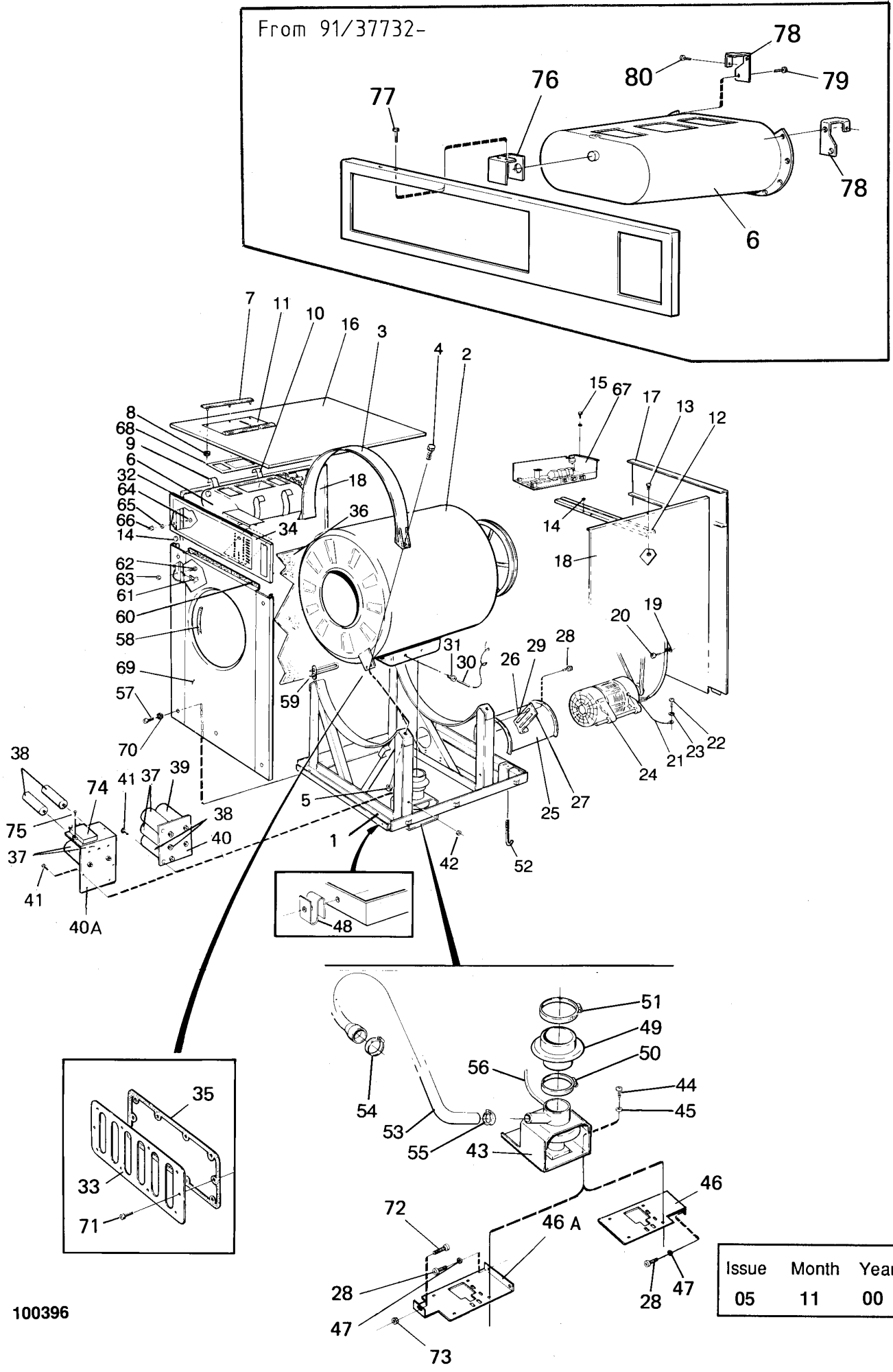
From 91/37732-



100395

Issue	Month	Year
04	08	91

From 91/37732-



W184MP,FL184MP

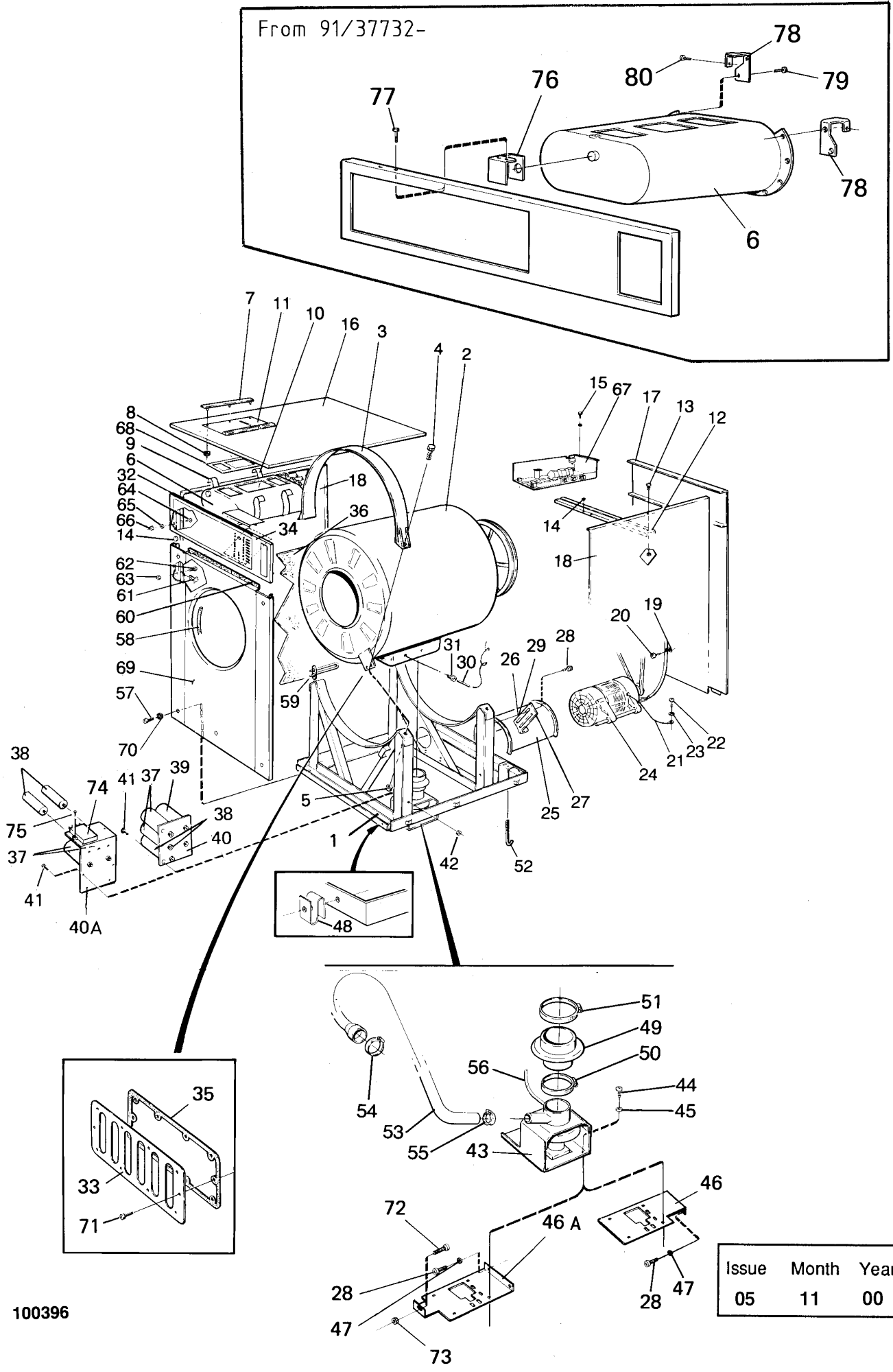
Main exploded view

Huvudsprängskiss

Illustration Issue Month Year
Illustration Utgåva Månad År
100396/2 6 11 2000

Item Pos.	Quantity Antal	Art.No Art.nr	Description	Benämning	Info Info	Notes Anmärkning
			W184MP			
			FL184MP			
1	1	471 4969-01	Frame	Stativ	3	
2	1	471 2915-11	Outer drum	Yttertrumma	3	PE2,PE3,PE8,WITHOUT HEATING
	1	471 2915-09	Outer drum	Yttertrumma	3	PE1,DS
	1	471 2915-04	Outer drum	Yttertrumma	3	PE1,PE2,EL,GAS
	1	471 2915-14	Outer drum	Yttertrumma	3	DS
	1	471 2915-15	Outer drum	Yttertrumma	3	EL.
3	2	471 2432-62	Tension strap	Spännband	3	
4	4	725 2632-51	Screw	Skruv	3	M16X60
5	4	732 2124-01	Locking nut	Låsmutter	3	M16
6	1		Detergent container	Tvättmedelsbehållare	1,2	See illustr. 100283, 100290
7	1		Rail	Skena	3	See group 8802
8	3		Nut	Mutter	3	M4
9	1	472 6152-01	Bracket	Hållare	3	-91/37731
10	1	472 6152-02	Bracket	Hållare	3	-91/37731
11	1		Cover	Lock	1	See group 8802
12	1	472 6516-02	Brace	Stag	3	
13	2	725 2289-61	Screw	Skruv	3	M4X10
14	4	471 8641-01	Plug	Plugg	3	
15	4	725 2289-61	Screw	Skruv	3	M4X10
16			Top panel	Topplock		See illustr. 100397
17			Rear panel	Bakstycke		See illustr. 100304
18	2	471 2438-71	Side panel	Sidoplåt	1	White Left
	1	471 2438-72	Side panel	Sidoplåt	1	WHITE WITH HOLE
	1	471 2438-74	Side panel	Sidoplåt	1	Stainless Left
	1	471 2438-76	Side panel	Sidoplåt	1	Stainless WITH HOLE
19	6	471 2413-35	Bracket	Konsol	3	
20	6	729 5281-01	Screw	Skruv	3	RXS B6X12
21	1	471 2433-12	Ground cable	Jordkabel	3	
22	2	729 5342-01	Screw	Skruv	3	
23	1	735 2136-01	Lock washer	Låsbricka	3	AZ 4,3 4,3
24			Motor	Motor		See illustr. 100398
25	1	471 2474-02	Plate	Plåt	1	
26	1	471 2437-15	Rubber cushion	Kuts	3	
27	1	471 2438-14	Rail	Skena	3	
28	4	725 2366-61	Screw	Skruv	3	M6SF 6X12
29	2	722 7843-19	Pop rivet	Popnit	3	
30	1	472 9913-22	Sensor	Givare	1	Complete
31	1	471 8192-01	•Bushing	•Bussning	1	
32	1	471 4595-01	Bracket	Konsol	3	
33						Not used
34	1		Control panel	Manöverpanel		See illustr. 100263, 100264
	1		Control panel	Manöverpanel		See illustr. 100355
35						Not used
36	2	471 2098-71	Insulating disc	Isolerskiva	3	400X700
37	2	471 9041-22	Capacitor	Kondensator	1,2	30µF 1AC
38	2	471 9525-25	Capacitor	Kondensator	1,2	130MF
39						Not used
40						Not used
40A	1	471 4657-13	Mounting plate	Fästplåt	3	89/33475-
41	2	725 2368-51	Screw	Skruv	3	M6X16
42	2	732 2116-01	Locking nut	Låsmutter	3	M6
43	1	472 6020-05	Drain valve	Avloppsventil	1	220V 50/60Hz See group 8101
44	4	725 2327-61	Screw	Skruv	3	M6SF 5X12

From 91/37732-



Issue	Month	Year
05	11	00

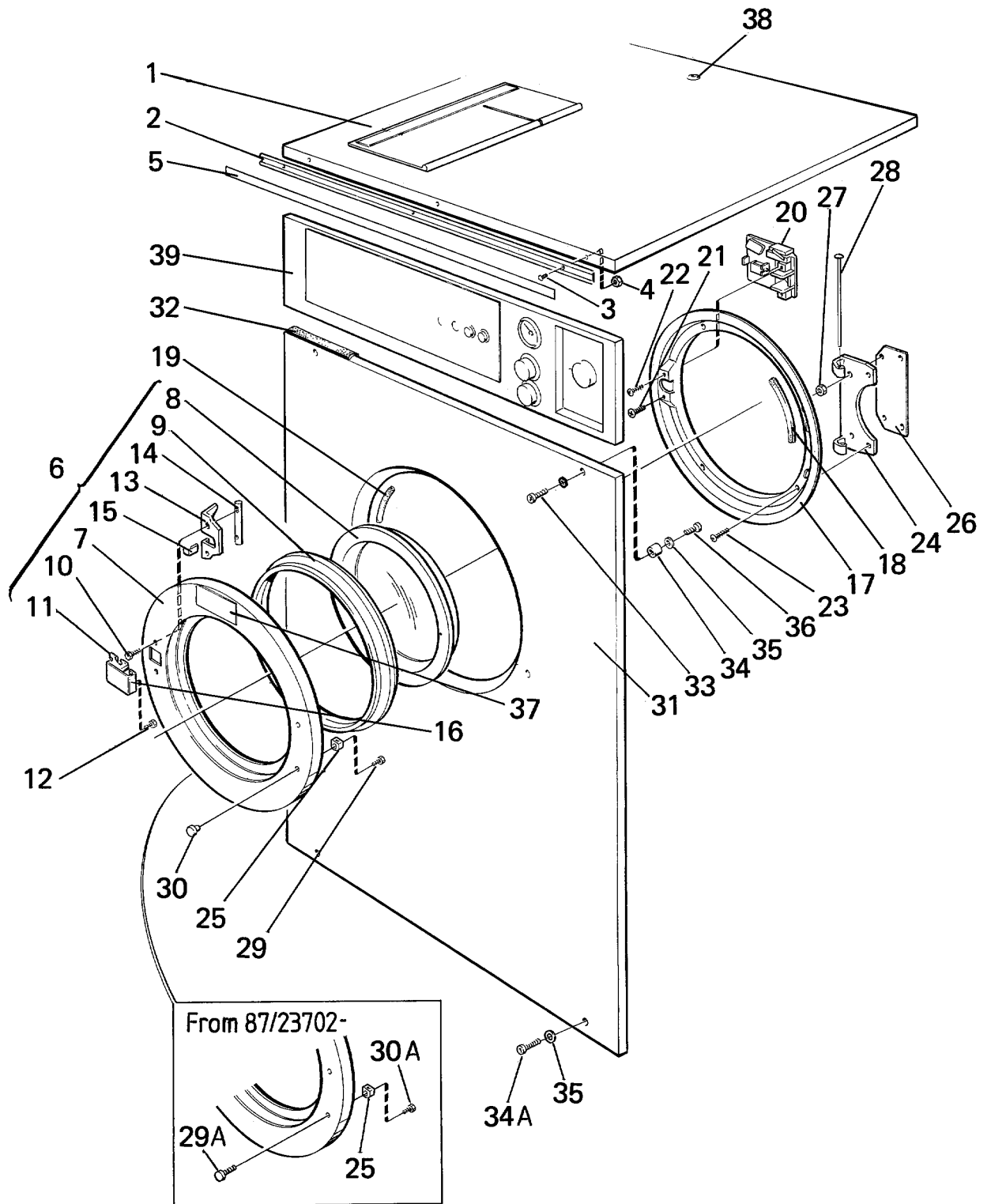
W184MP,FL184MP

Main exploded view

Huvudsprängskiss

Illustration Issue Month Year
Illustration Utgåva Månad År
100396/2 6 11 2000

Item Pos.	Quantity Antal	Art.No Art.nr	Description	Benämning	Info Info	Notes Anmärkning
			W184MP			
			FL184MP			
45	2	2	735 2146-01	Washer	3	M5 5,3
46	1	1	471 2909-01	Bracket	3	
46A						Not used
47	2	2	735 2153-01	Lock washer	3	6,4
48	2	2	471 7857-01	Clamp	3	84/10651-
49	1	1	471 2904-01	Connection	1	
50	1	1	736 2849-51	Hose clamp	3	Ø77-93
51	1	1	471 7851-03	Hose clamp	3	Ø95-115
52	4	4	471 2095-62	Screw	3	
53	1	1	471 4863-02	Hose		
54	1	1	736 2840-51	Hose clamp		Ø50-63
55	1	1	736 2837-51	Hose clamp		Ø48-54
56	1	1	471 8644-02	Plug	3	
57	2	2	724 1327-42	Screw	3	M5X12
58	1	1	471 2461-80	Strip	1	
59	6	6	471 9805-10	Heating element	1,2	3KW 220V
	6	6	471 9805-11	Heating element	1,2	3KW 254V
	6	6	471 9809-03	Heating element	1,2	4KW 220V
60	1	1	471 2438-55	Strip	3	
61	2	2	471 2441-06	Bracket	3	
62	2	2	724 1289-01	Screw	3	M4X10
63	2	2	732 2112-01	Locking nut	3	M4
64	4	4	729 5410-01	Screw	3	RXS B10X13
65	2	2	735 2146-01	Washer	3	M5 5,3
66	4	4	471 9040-85	Locking nut	3	
67	1			Control unit		See illustr. 100259
		1		Control unit		See illustr. 100207
68	1	1	471 4555-01	Gasket	1	-91/37731
	1	1	438 0078-01	Gasket	1	91/37732-
69				Front panel		See illustr. 100397
70	4	4	735 2146-01	Washer	3	M5 5,3
71						Not used
72						Not used
73						Not used
74	1	1	472 9902-22	Relay	1,2	89/33475-
75	2	2	729 5344-01	Screw	3	RXS B8X16 89/33475-
76	1	1	438 4140-01	Support	3	91/37732-
77	2	2	722 7843-02	Pop rivet	3	91/37732-
78	2	2	438 4139-01	Bracket	3	91/37732-
79	4	4	471 8317-01	Screw	3	91/37732-
80	2	2	471 8340-23	Screw	3	RTS 4,2X13 91/37732-



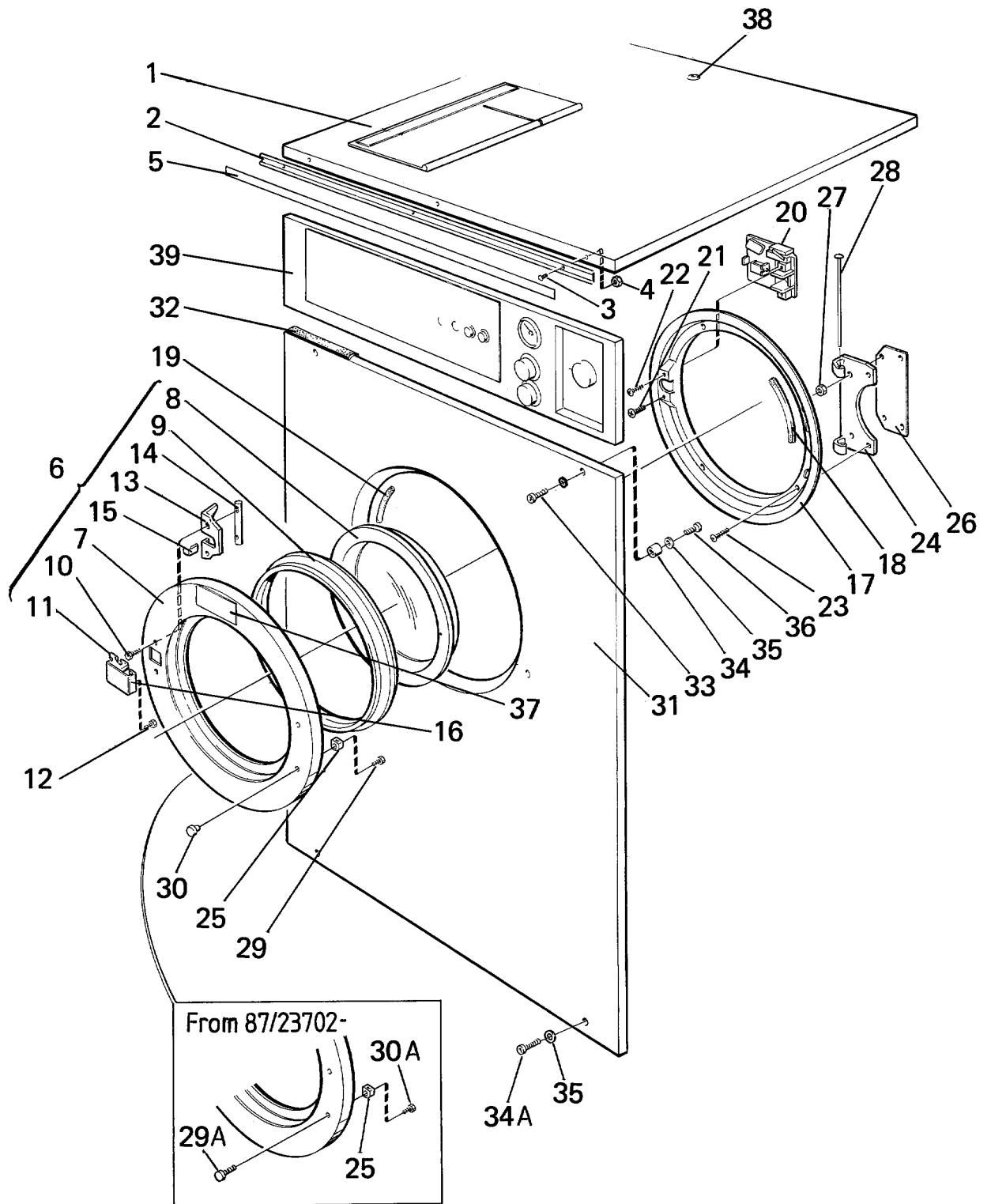
W184,W184MP,FL184,FL184MP

Front panel with control panel, door, top panel

Illustration Issue Month Year
Illustration Utgåva Månad År
100397/9 9 5 2002

Frontplåt m manöverpanel.lucka.topplöck

Item Pos.	Quantity Antal	Art.No Art.nr	Description	Benämning	Info Info	Notes Anmärkning
			W184,W184MP			
			FL184,FL184MP			
1	1	471 4518-25	Top panel	Topplöck	1	-91/37731
	1	471 4518-36	Top panel	Topplöck	1	91/37732-
	1	471 4518-26	Top panel	Topplöck	1	Coin-meter -91/37731
	1	471 4518-37	Top panel	Topplöck	1	Coin-meter 91/37732-
	1	471 4518-31	Top panel	Topplöck	1	See illustr. 100795
2	1	471 7909-03	Rail	Skena	1	
3	3	471 8452-01	Pop rivet	Popnit	3	
4						Not used
5	1	471 7626-72	Sign	Skylt	3	WASCATOR W184MP
	1	471 7619-79	Sign	Skylt	3	ELECTROLUX
	1	471 7620-62	Sign	Skylt	3	WASCATOR 184
	1	471 7619-78	Sign	Skylt	3	WASCATOR SELECTA SE-184
	1	471 7619-80	Sign	Skylt	3	ELECTROLUX
	1	471 7634-32	Sign	Skylt	3	WASCATOR FL184
6	1	471 2488-01	Door	Lucka	1	Complete
7	1	471 2490-00	•Door ring	•Luckring	1	
8	1	471 2431-28	•Door glass	•Luckglas	1,2	
9	1	471 2431-29	•Door gasket	•Luckpackning	1,2	Black
	1	471 4109-28	•Door gasket	•Luckpackning	1	Grey
10	2	471 8320-11	•Screw	•Skruv	3	M4X12
11	1	471 2485-00	•Lock handle	•Låshandtag	1	
12	1	725 2285-42	•Screw	•Skruv	3	M4X6
13	1	471 2484-00	•Clamp	•Bygel	1	
14	1	471 2479-00	•Shaft	•Axel	1	
15	1	471 7806-00	•Spring	•Fjäder	1	
16	1	471 2480-00	•Handle	•Handtag	1,2	WITHOUT TEXT
	1	471 2480-01	•Handle	•Handtag	1,2	ENGLISH TEXT
17	1	471 2491-00	Cover	Kåpa	1	
18	1	471 2453-06	Strip	List	1	
19	1	471 2461-80	Strip	List	1	
20	1	471 2487-10	Locking unit	Låsenhet	1,2	Complete See group 8702
21	1	724 1331-42	Screw	Skruv	3	M5X20
22	1	724 1329-42	Screw	Skruv	3	M5X16
23	4	724 1321-42	Screw	Skruv	3	M5X6
24	1	471 2438-58	Hinged joint	Gångled	1,2	
25	2	471 2437-54	Hinged joint	Gångled	1,2	-87/23701
	1	472 6779-03	Hinged joint	Gångled	1,2	Upper 87/23702-
	1	472 6779-01	Hinged joint	Gångled	1,2	Lower, 87/23702-
26	3	471 2415-71	Washer	Mellanlägg	3	
27	4	471 9220-26	Locking nut	Låsmutter	3	
28	1	471 2437-53	Shaft	Axel	3	
29	2	725 2372-42	Screw	Skruv	3	M6S 6X22 -87/23701
29A	2	471 8322-01	Screw	Skruv	3	M6X25 87/23702-
30	2	471 2437-52	Button	Knopp	3	-87/23701
30A	2	732 2116-42	Locking nut	Låsmutter	3	M6 87/23702-
31	1	471 4548-54	Front panel	Frontplåt	1	Yellow INCL. SCREW -87/21300 AND GASKET
	1	471 4548-51	Front panel	Frontplåt	1	Orange INCL. SCREW -87/21300 AND GASKET



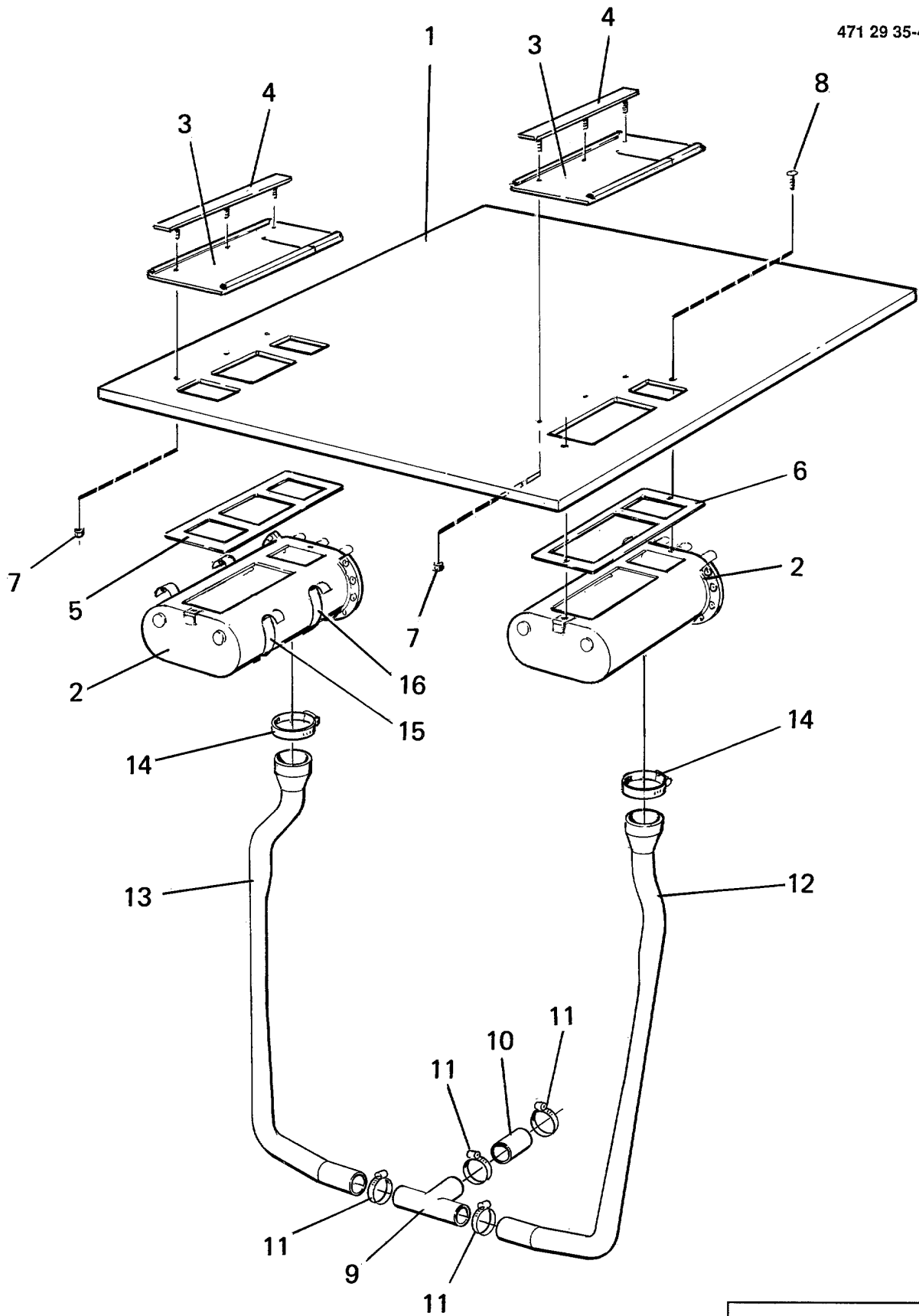
W184,W184MP,FL184,FL184MP

Front panel with control panel, door, top panel

Frontplåt m manöverpanel.lucka.topplöck

Illustration Issue Month Year
Illustration Utgåva Månad År
100397/9 9 5 2002

Item Pos.	Quantity Antal	Art.No Art.nr	Description	Benämning	Info Info	Notes Anmärkning
			W184,W184MP			
			FL184,FL184MP			
	1	471 4548-53	Front panel	Frontplåt	1	Stainless INCL.SCREW AND LIST
	1	471 4548-55	Front panel	Frontplåt	1	Yellow INCL. SCREW 87/21301- AND GASKET
	1	471 4548-56	Front panel	Frontplåt	1	Blue INCL. SCREW 87/21301- AND GASKET
32	1	471 2438-55	•Strip	•List	3	
33	4	724 1327-42	Screw	Skruv	1	M5X12
34	2	471 8405-01	Nut	Mutter	3	M5
34A	2	724 1329-42	Screw	Skruv	3	M5X16
35	4	735 2146-01	Washer	Bricka	3	M5
36	2	724 1321-01	Screw	Skruv	3	M5X6
37	1	471 2469-27	Warning sign	Varningsskylt	1	Swedish
	1	471 2470-39	Warning sign	Varningsskylt	1	German
	1	471 2470-80	Warning sign	Varningsskylt	1	Spanish
	1	471 4009-80	Warning sign	Varningsskylt	1	Danish
	1	471 2470-40	Warning sign	Varningsskylt	1	French
	1	471 2472-53	Warning sign	Varningsskylt	1	Finnish
	1	471 4009-53	Warning sign	Varningsskylt	1	English
	1	471 4654-01	Warning sign	Varningsskylt	1	Italian
38	1	471 7826-10	Lock	Lås	1	
	1	471 7826-20	Key	Nyckel	1,2	FH025
39			Control panel	Manöverpanel		See illustr. 100261, 100392



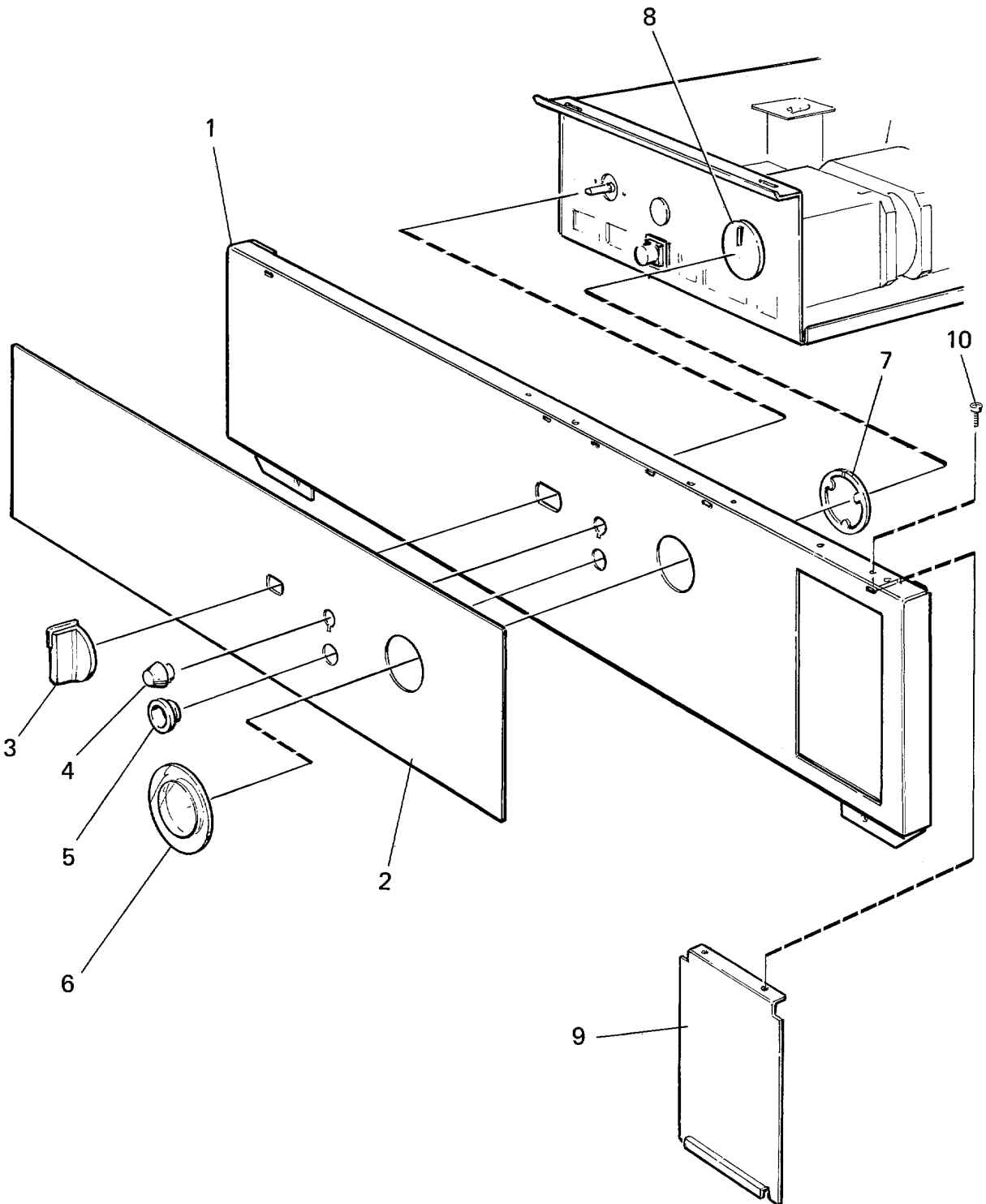
W184MP,FL184

Top panel with extra TMPF and hoses

Topplöck med extra TMPF och slangar

Illustration	Issue	Month	Year
Illustration	Utgåva	Månad	År
100795/1	2	9	1991

Item Pos.	Quantity Antal	Art.No Art.nr	Description	Benämning	Info Info	Notes Anmärkning
			W184MP			
			FL184			
1	1	471 4518-31	Top panel	Topplöck	1	
2	2		Detergent compartment	Tvättmedelsfack	1,2	See illustr. 100794
3	2		Cover	Lock	1,2	See group 8802
4	2		•Rail	•Skena	1	See group 8802
5	1	471 4555-01	Gasket	Packning	1,2	
6	1	471 4555-02	Seal	Tätning	1,2	
7	6	731 2314-42	Nut	Mutter	3	M4
8	2	724 3291-42	Screw	Skruv	3	MFX 4X12,
9	1	471 4482-01	T-pipe	T-rör	3	
10	1	471 8128-51	Hose	Slang	1,2	
11	3	736 2837-51	Hose clamp	Slangklämma	3	Ø48-54
12	1	471 4427-03	Hose	Slang	1,2	
13	1	471 4427-04	Hose	Slang	1,2	
14	2	736 2840-51	Hose clamp	Slangklämma	3	Ø50-63
15	1	472 6152-01	Bracket	Hållare	3	
16	1	472 6152-02	Bracket	Hållare	3	



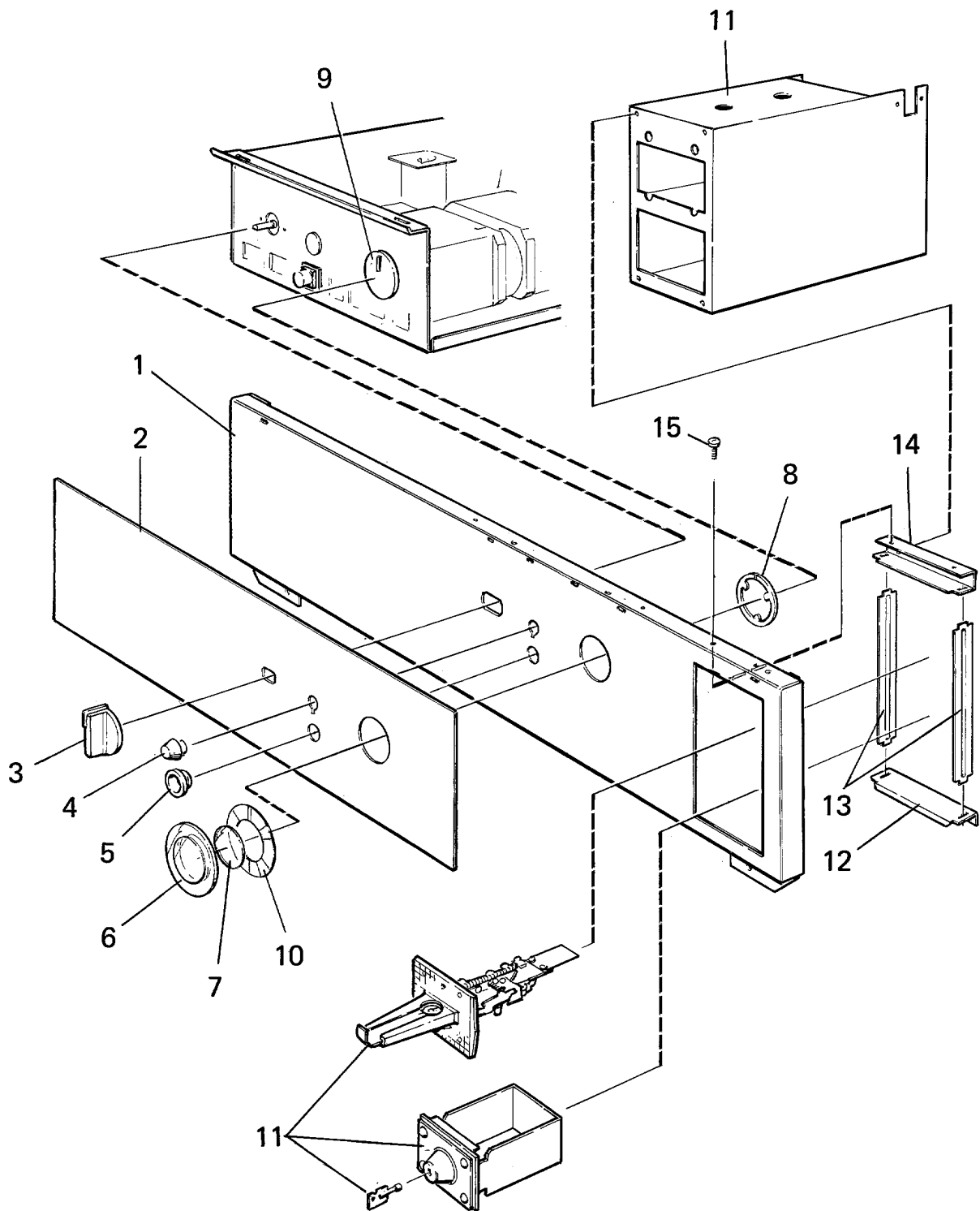
W184

Control panel without coin meter

Manöverpanel utan myntmätare

Illustration Issue Month Year
Illustration Utgåva Månad År
100296 2 5 1990

Item Pos.	Qua. Ant.	Art.No Art.nr	Description	Benämning	Info Info	Notes Anmärkning
1	1	471 4513-09	Control panel	Manöverpanel	1	Brown -85/13450
	1	471 4513-29	Control panel	Manöverpanel	1	Brown 85/13451-88/26301
2	1	471 4782-29	Control panel	Manöverpanel	1	Black
	1	471 4526-01	User instructions	Bruksanvisning	1	SWEDISH BROWN P1 -88/26301
	1	471 4526-30	User instructions	Bruksanvisning	1	SWEDISH SILVER P1
	1	471 4526-02	User instructions	Bruksanvisning	1	ENGLISH BROWN P1 -88/26301
	1	471 4526-31	User instructions	Bruksanvisning	1	ENGLISH SILVER P1
	1	471 4526-03	User instructions	Bruksanvisning	1	GERMAN BROWN P1 -88/26301
	1	471 4526-32	User instructions	Bruksanvisning	1	GERMAN SILVER P1
	1	471 4526-04	User instructions	Bruksanvisning	1	ITALIAN BROWN P1 -88/26301
	1	471 4526-33	User instructions	Bruksanvisning	1	ITALIAN SILVER P1
	1	471 4526-05	User instructions	Bruksanvisning	1	DUTCH BROWN P1 -88/26301
	1	471 4526-34	User instructions	Bruksanvisning	1	DUTCH SILVER P1
	1	471 4526-06	User instructions	Bruksanvisning	1	SWEDISH/FINNISH BROWN P1
	1	471 4526-35	User instructions	Bruksanvisning	1	SWEDISH/FINNISH SILVER P1
	1	471 4526-07	User instructions	Bruksanvisning	1	DANISH BROWN P1 -88/26301
	1	471 4526-36	User instructions	Bruksanvisning	1	DANISH SILVER P1
	1	471 4526-08	User instructions	Bruksanvisning	1	FRENCH BROWN P1 -88/26301
	1	471 4526-37	User instructions	Bruksanvisning	1	FRENCH SILVER P1
	1	471 4526-09	User instructions	Bruksanvisning	1	SPANISH BROWN P1 -88/26301
	1	471 4526-38	User instructions	Bruksanvisning	1	SPANISH SILVER P1
	1	471 4526-10	User instructions	Bruksanvisning	1	BELGIAN BROWN P1
	1	471 4526-11	User instructions	Bruksanvisning	1	NORWEGIAN BROWN P1 -88/26301
	1	471 4526-39	User instructions	Bruksanvisning	1	NORWEGIAN SILVER P1
	1	471 4526-12	User instructions	Bruksanvisning	1	SWEDISH HEAVY SOILED BROWN P1
	1	471 4526-40	User instructions	Bruksanvisning	1	SWEDISH HEAVY SOILED SILVER P1
	1	471 4526-50	User instructions	Bruksanvisning	1	ENGLISH, BROWN P2, P4 -88/26301
	1	471 4526-79	User instructions	Bruksanvisning	1	ENGLISH SILVER P2, P4
	1	471 4526-52	User instructions	Bruksanvisning	1	FRENCH BROWN P2,P4 -88/26301
	1	471 4526-80	User instructions	Bruksanvisning	1	FRENCH SILVER P2, P4
	1	471 4526-60	User instructions	Bruksanvisning	1	NORWEGIAN, BROWN P2, P4 -88/26301
	1	471 4526-81	User instructions	Bruksanvisning	1	NORWEGIAN SILVER P2, P4AO
3	1	472 5207-02	Knob	Vred	1,2	White
	1	438 0076-01	Knob	Vred	1,2	Complete
4	1	763 1802-01	Glass	Glas	1	Red
5	1	472 6079-00	Grommet	Genomföring	3	French
6	1	471 4829-01	Safety glass	Skyddsglas	1,2	
7	1	471 4830-01	Locking ring	Låsring	3	
8	1	472 6082-01	Pointer	Visare	1	
9	1	471 4523-03	Cover	Lock	3	Brown -88/26301
	1	471 4523-05	Cover	Lock	3	Black
10	2	729 9342-61	Screw	Skruv	3	4,2X13



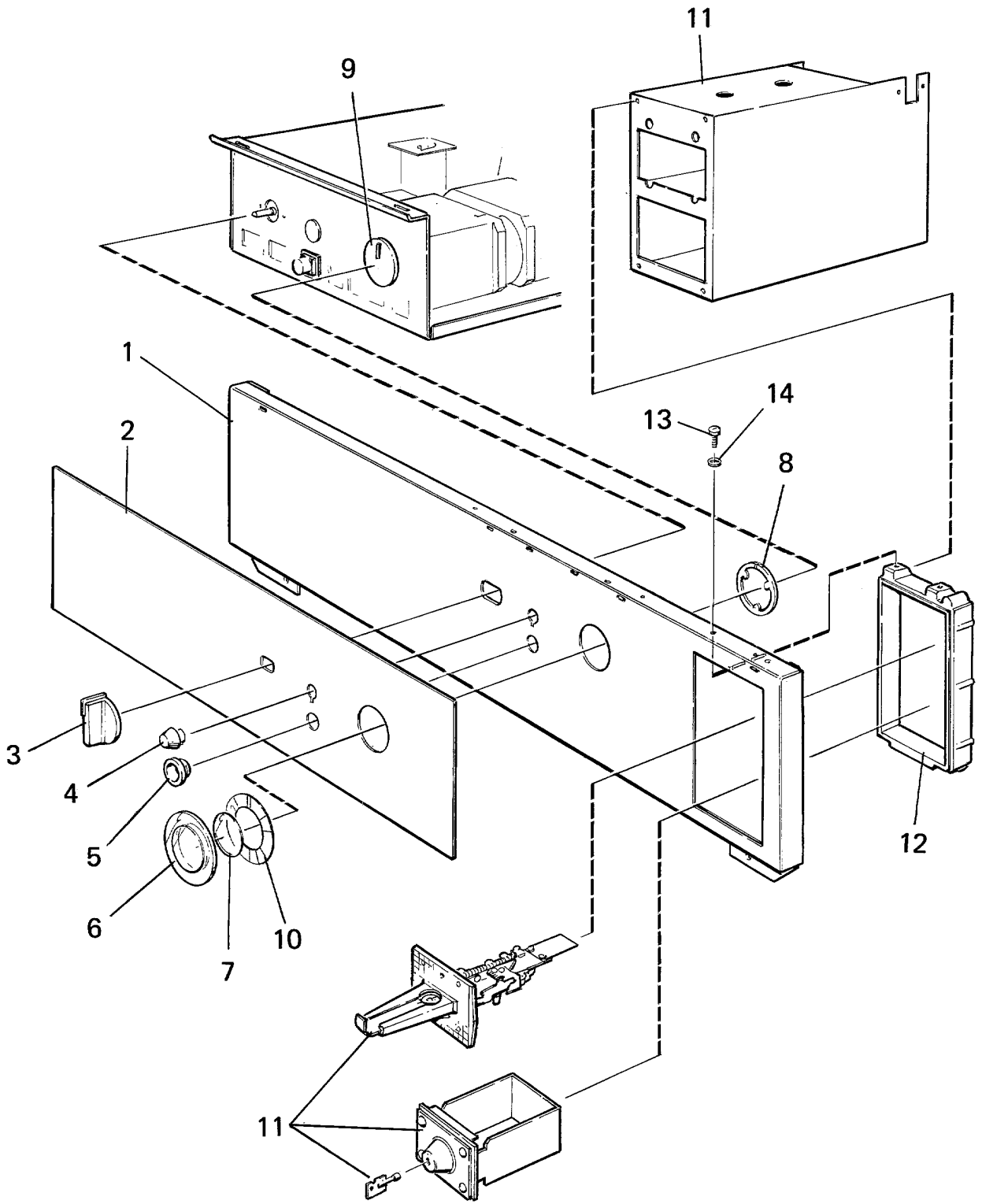
W184

Control panel with coin meter

Manöverpanel med myntm.

Illustration Issue Month Year
Illustration Utgåva Månad År
100352 3 5 2002

Item Pos.	Qua. Ant.	Art.No Art.nr	Description	Benämning	Info Info	Notes Anmärkning
1	1	471 4513-09	Control panel	Manöverpanel	1	Brown
2	1	471 4526-01	User instructions	Bruksanvisning	1	SWEDISH BROWN P1
	1	471 4526-02	User instructions	Bruksanvisning	1	ENGLISH BROWN P1
	1	471 4526-03	User instructions	Bruksanvisning	1	GERMAN BROWN P1
	1	471 4526-04	User instructions	Bruksanvisning	1	ITALIAN BROWN P1
	1	471 4526-05	User instructions	Bruksanvisning	1	DUTCH BROWN P1
	1	471 4526-06	User instructions	Bruksanvisning	1	SWEDISH/FINNISH BROWN P1
	1	471 4526-07	User instructions	Bruksanvisning	1	DANISH BROWN P1
	1	471 4526-08	User instructions	Bruksanvisning	1	FRENCH BROWN P1
	1	471 4526-09	User instructions	Bruksanvisning	1	SPANISH BROWN P1
	1	471 4526-10	User instructions	Bruksanvisning	1	BELGIAN BROWN P1
	1	471 4526-11	User instructions	Bruksanvisning	1	NORWEGIAN BROWN P1
	1	471 4526-12	User instructions	Bruksanvisning	1	SWEDISH HEAVY SOILED BROWN P1
	1	471 4526-13	User instructions	Bruksanvisning	1	English P2
	1	471 4526-20	User instructions	Bruksanvisning	1	DANISH BROWN P2, P4
	1	471 4526-21	User instructions	Bruksanvisning	1	GERMAN BROWN P2, P4
	1	471 4526-22	User instructions	Bruksanvisning	1	FRENCH BROWN P2, P4
	1	471 4526-24	User instructions	Bruksanvisning	1	SPANISH BROWN P2, P4
	1	471 4526-25	User instructions	Bruksanvisning	1	DUTCH BROWN P2, P4
	1	471 4525-05	User instructions	Bruksanvisning	1	Spanish P3
	1	471 4525-14	User instructions	Bruksanvisning	1	ENGLISH BROWN P3
	1	471 4525-17	User instructions	Bruksanvisning	1	FRENCH BROWN P3
	1	471 4525-18	User instructions	Bruksanvisning	1	DUTCH BROWN P3
	1	471 4525-12	User instructions	Bruksanvisning	1	JAPAN BROWN P8
3	1	472 5207-02	Knob	Vred	1,2	White
	1	438 0076-01	Knob	Vred	1,2	Complete
4	1	763 1802-01	Glass	Glas	1	Red
5	1	472 6079-00	Grommet	Genomföring	3	French
6	1	471 4829-01	Safety glass	Skyddsglas	1,2	
7	1	471 4862-01	Glass	Glas	1,2	
8	1	471 4830-01	Locking ring	Låsring	3	
9	1	472 6082-01	Pointer	Visare	1	
10						Not used
11			Coin meter	Myntmätare		See group 8505
12	1	471 4500-01	Bracket	Fäste	3	
13	2	471 4502-01	Brace	Stag	3	
14	1	471 4501-01	Bracket	Fäste	3	
15	2	722 7840-19	Pop rivet	Popnit	3	



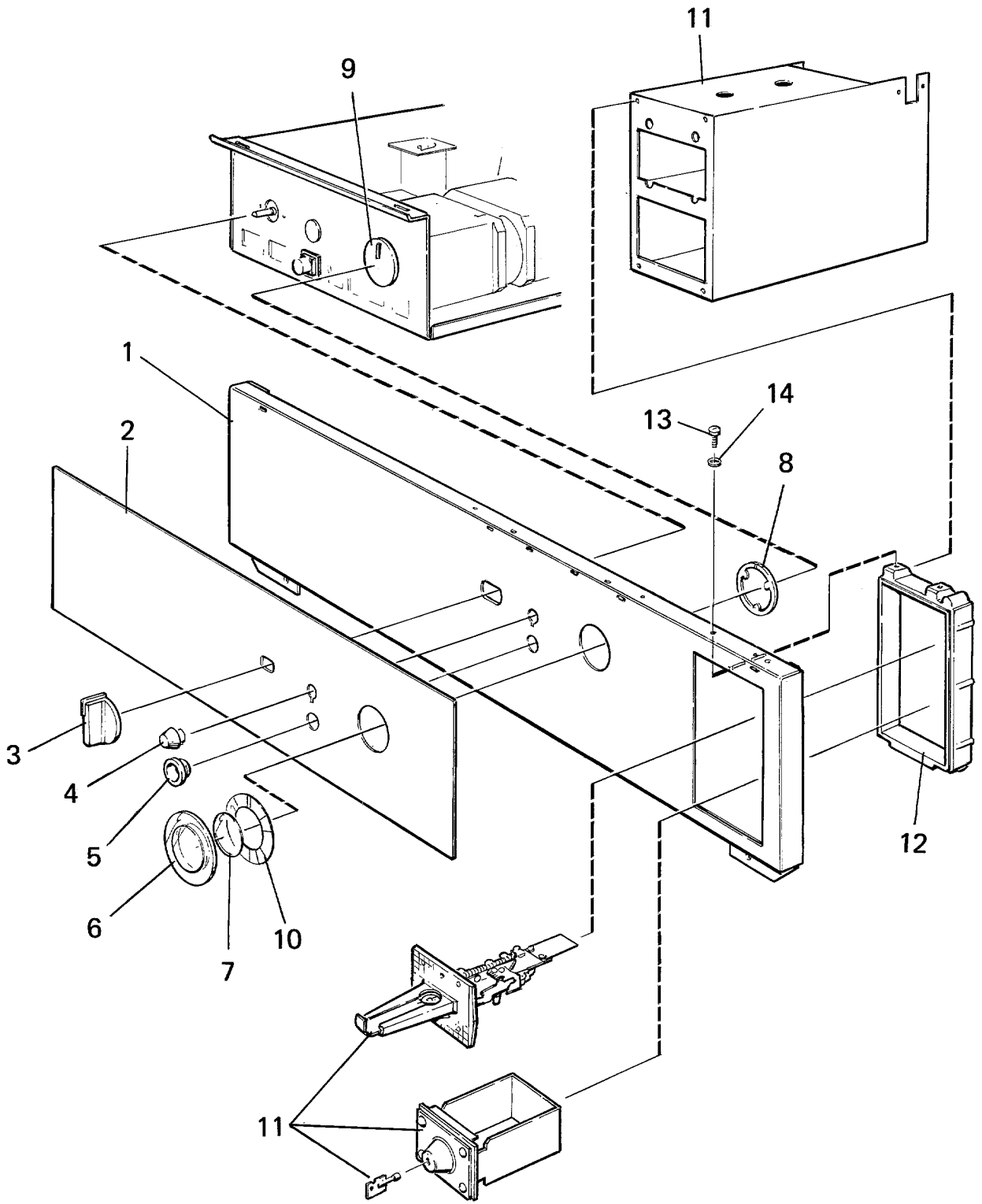
W184

Control panel with coin meter

Manöverpanel med myntm.

Illustration Issue Month Year
Illustration Utgåva Månad År
100353/1 2 5 2002

Item Pos.	Qua. Ant.	Art.No Art.nr	Description	Benämning	Info Info	Notes Anmärkning
1	1	471 4513-29	Control panel	Manöverpanel	1	Brown -88/26301
	1	471 4782-19	Control panel	Manöverpanel	1	Black
2	1	471 4526-01	User instructions	Bruksanvisning	1	SWEDISH BROWN P1 -88/26301
	1	471 4526-30	User instructions	Bruksanvisning	1	SWEDISH SILVER P1
	1	471 4526-02	User instructions	Bruksanvisning	1	ENGLISH BROWN P1 -88/26301
	1	471 4526-31	User instructions	Bruksanvisning	1	ENGLISH SILVER P1
	1	471 4526-03	User instructions	Bruksanvisning	1	GERMAN BROWN P1 -88/26301
	1	471 4526-32	User instructions	Bruksanvisning	1	GERMAN SILVER P1
	1	471 4526-04	User instructions	Bruksanvisning	1	ITALIAN BROWN P1 -88/26301
	1	471 4526-33	User instructions	Bruksanvisning	1	ITALIAN SILVER P1
	1	471 4526-05	User instructions	Bruksanvisning	1	DUTCH BROWN P1 -88/26301
	1	471 4526-34	User instructions	Bruksanvisning	1	DUTCH SILVER P1
	1	471 4526-06	User instructions	Bruksanvisning	1	SWEDISH/FINNISH BROWN P1
	1	471 4526-35	User instructions	Bruksanvisning	1	SWEDISH/FINNISH SILVER P1
	1	471 4526-07	User instructions	Bruksanvisning	1	DANISH BROWN P1 -88/26301
	1	471 4526-36	User instructions	Bruksanvisning	1	DANISH SILVER P1
	1	471 4526-08	User instructions	Bruksanvisning	1	FRENCH BROWN P1 -88/26301
	1	471 4526-37	User instructions	Bruksanvisning	1	FRENCH SILVER P1
	1	471 4526-09	User instructions	Bruksanvisning	1	SPANISH BROWN P1 -88/26301
	1	471 4526-38	User instructions	Bruksanvisning	1	SPANISH SILVER P1
	1	471 4526-10	User instructions	Bruksanvisning	1	BELGIAN BROWN P1
	1	471 4526-11	User instructions	Bruksanvisning	1	NORWEGIAN BROWN P1 -88/26301
	1	471 4526-39	User instructions	Bruksanvisning	1	NORWEGIAN SILVER P1
	1	471 4526-12	User instructions	Bruksanvisning	1	SWEDISH HEAVY SOILED BROWN P1
	1	471 4526-40	User instructions	Bruksanvisning	1	SWEDISH HEAVY SOILED SILVER P1
	1	471 4526-13	User instructions	Bruksanvisning	1	English P2, P4 -88/26301
	1	471 4526-70	User instructions	Bruksanvisning	1	ENGLISH SILVER P2, P4
	1	471 4526-22	User instructions	Bruksanvisning	1	FRENCH BROWN P2,P4 -88/26301
	1	471 4526-72	User instructions	Bruksanvisning	1	FRENCH SILVER P2, P4
	1	471 4526-20	User instructions	Bruksanvisning	1	DANISH BROWN P2, P4 -88/26301
	1	471 4526-71	User instructions	Bruksanvisning	1	DANISH SILVER P2, P4
	1	471 4526-21	User instructions	Bruksanvisning	1	GERMAN BROWN P2, P4
	1	471 4526-24	User instructions	Bruksanvisning	1	SPANISH BROWN P2, P4
	1	471 4526-25	User instructions	Bruksanvisning	1	DUTCH BROWN P2, P4
	1	471 4525-05	User instructions	Bruksanvisning	1	Spanish P3 -88/26301
	1	471 4525-34	User instructions	Bruksanvisning	1	SPANISH SILVER P3
	1	471 4525-12	User instructions	Bruksanvisning	1	JAPAN BROWN P8 -88/26301
	1	471 4525-37	User instructions	Bruksanvisning	1	JAPAN SILVER P8
	1	471 4525-14	User instructions	Bruksanvisning	1	ENGLISH BROWN P3 -88/26301
	1	471 4525-38	User instructions	Bruksanvisning	1	ENGLISH SILVER P3
	1	471 4525-17	User instructions	Bruksanvisning	1	FRENCH BROWN P3 -88/26301
	1	471 4525-39	User instructions	Bruksanvisning	1	FRENCH SILVER P3



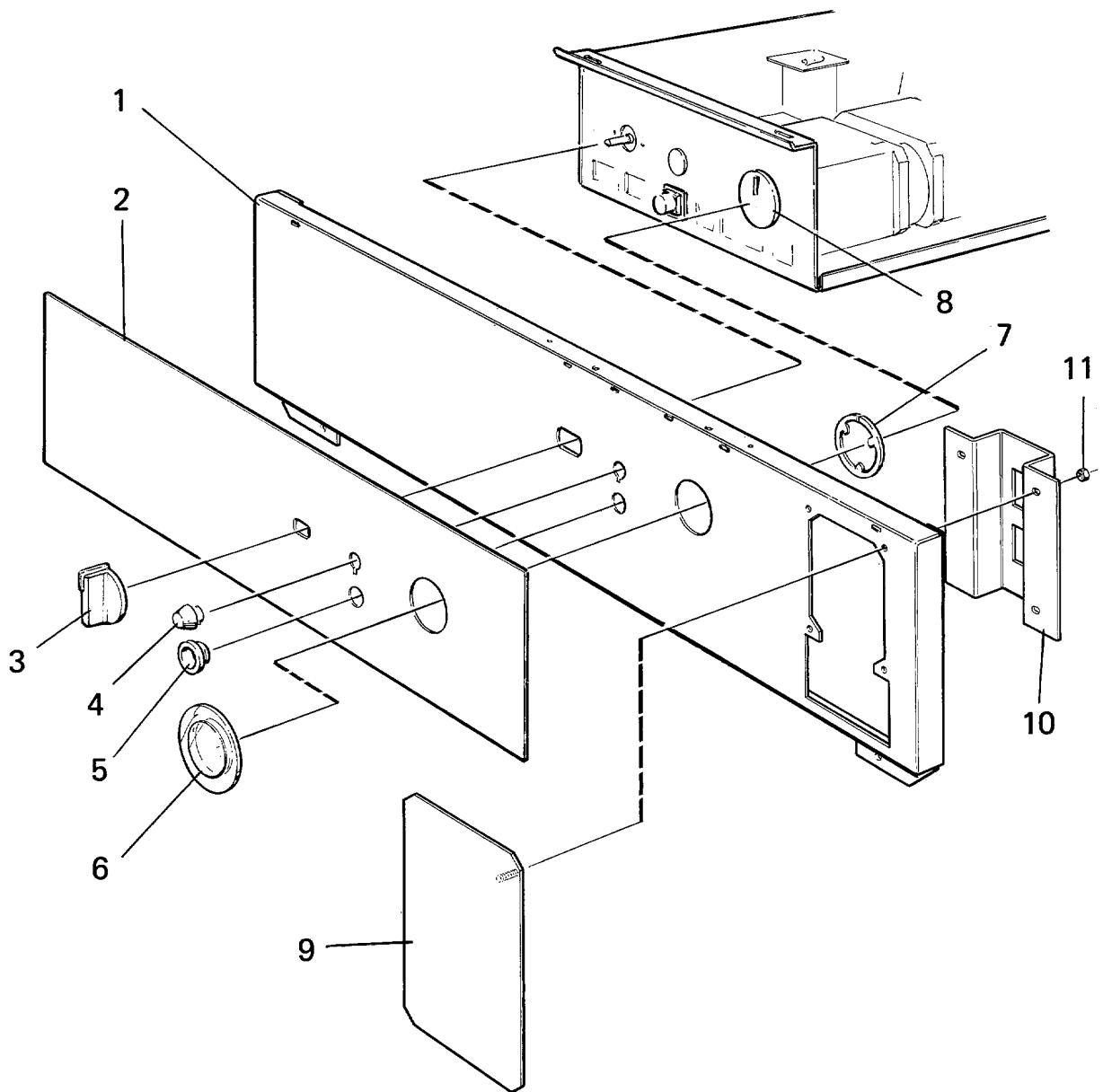
W184

Control panel with coin meter

Manöverpanel med myntm.

Illustration	Issue	Month	Year
Illustration	Utgåva	Månad	År
100353/1	2	5	2002

Item Pos.	Qua. Ant.	Art.No Art.nr	Description	Benämning	Info Info	Notes Anmärkning
	1	471 4525-18	User instructions	Bruksanvisning	1	DUTCH BROWN P3 -88/26301
	1	471 4525-40	User instructions	Bruksanvisning	1	DUTCH SILVER P3
3	1	472 5207-02	Knob	Vred	1,2	White
	1	438 0076-01	Knob	Vred	1,2	Complete
4		763 1802-01	Glass	Glas	1	Red
5	1	472 6079-00	Grommet	Genomföring	3	French
6	1	471 4829-01	Safety glass	Skyddsglas	1,2	
7	1	471 4862-01	Glass	Glas	1,2	
8	1	471 4830-01	Locking ring	Låsring	3	
9	1	472 6082-01	Pointer	Visare	1	
10						Not used
11			Coin meter	Myntmätare		See group 8505
12	1	471 4705-02	Frame	Ram	1	
13	2	729 5409-01	Screw	Skruv	3	
14	2	735 2146-01	Washer	Bricka	3	M5



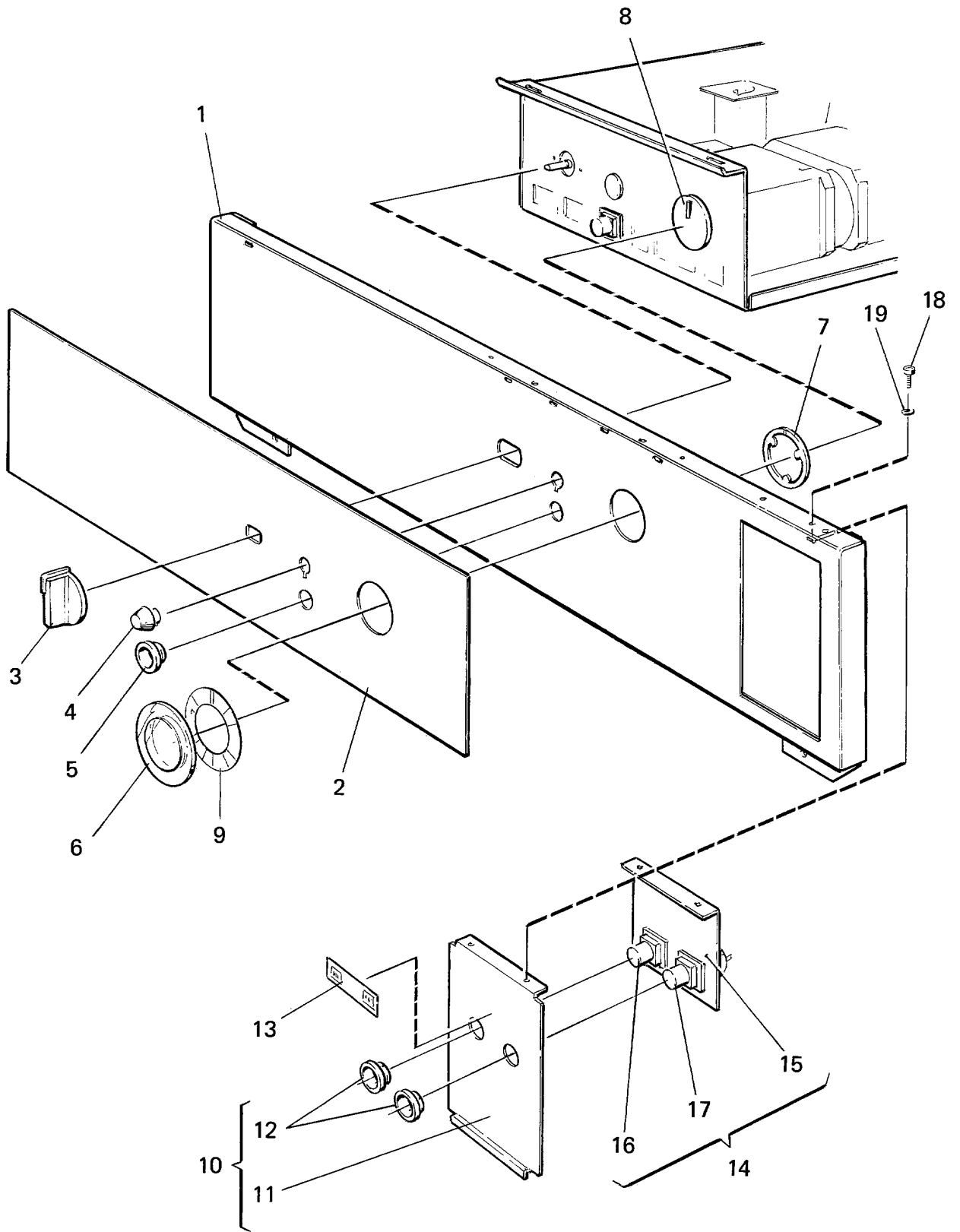
W184

Control panel without coin meter

Manöverpanel utan myntmätare

Illustration Issue Month Year
Illustration Utgåva Månad År
100261/1 4 5 2002

Item Pos.	Qua. Ant.	Art.No Art.nr	Description	Benämning	Info Info	Notes Anmärkning
1	1	471 4782-55	Control panel	Manöverpanel	1	Black
2	1	471 4526-30	User instructions	Bruksanvisning	1	SWEDISH SILVER P1
	1	471 4526-31	User instructions	Bruksanvisning	1	ENGLISH SILVER P1
	1	471 4526-32	User instructions	Bruksanvisning	1	GERMAN SILVER P1
	1	471 4526-33	User instructions	Bruksanvisning	1	ITALIAN SILVER P1
	1	471 4526-34	User instructions	Bruksanvisning	1	DUTCH SILVER P1
	1	471 4526-35	User instructions	Bruksanvisning	1	SWEDISH/FINNISH SILVER P1
	1	471 4526-36	User instructions	Bruksanvisning	1	DANISH SILVER P1
	1	471 4526-37	User instructions	Bruksanvisning	1	FRENCH SILVER P1
	1	471 4526-38	User instructions	Bruksanvisning	1	SPANISH SILVER P1
	1	471 4526-10	User instructions	Bruksanvisning	1	BELGIAN BROWN P1
	1	471 4526-39	User instructions	Bruksanvisning	1	NORWEGIAN SILVER P1
	1	471 4526-40	User instructions	Bruksanvisning	1	SWEDISH HEAVY SOILED SILVER P1
	1	471 4526-84	User instructions	Bruksanvisning	1	SPANISH SILVER P2
	1	471 4526-79	User instructions	Bruksanvisning	1	ENGLISH SILVER P2, P4
	1	471 4526-80	User instructions	Bruksanvisning	1	FRENCH SILVER P2, P4
	1	471 4526-81	User instructions	Bruksanvisning	1	NORWEGIAN SILVER P2, P4AO
3	1	472 5207-02	Knob	Vred	1,2	White
	1	438 0076-01	Knob	Vred	1,2	Complete
4	1	763 1802-01	Glass	Glas	1	Red
5	1	472 6079-00	Grommet	Genomföring	3	French
6	1	471 4529-01	Safety glass	Skyddsglas	1,2	
7	1	471 4830-01	Locking ring	Låsring	3	
8	1	472 6082-01	Pointer	Visare	1	
9	1	471 4905-41	Cover plate	Täckplåt	3	Black
10	1	471 4904-01	Bracket	Konsol	3	
11	4	731 2312-01	Nut	Mutter	3	M4



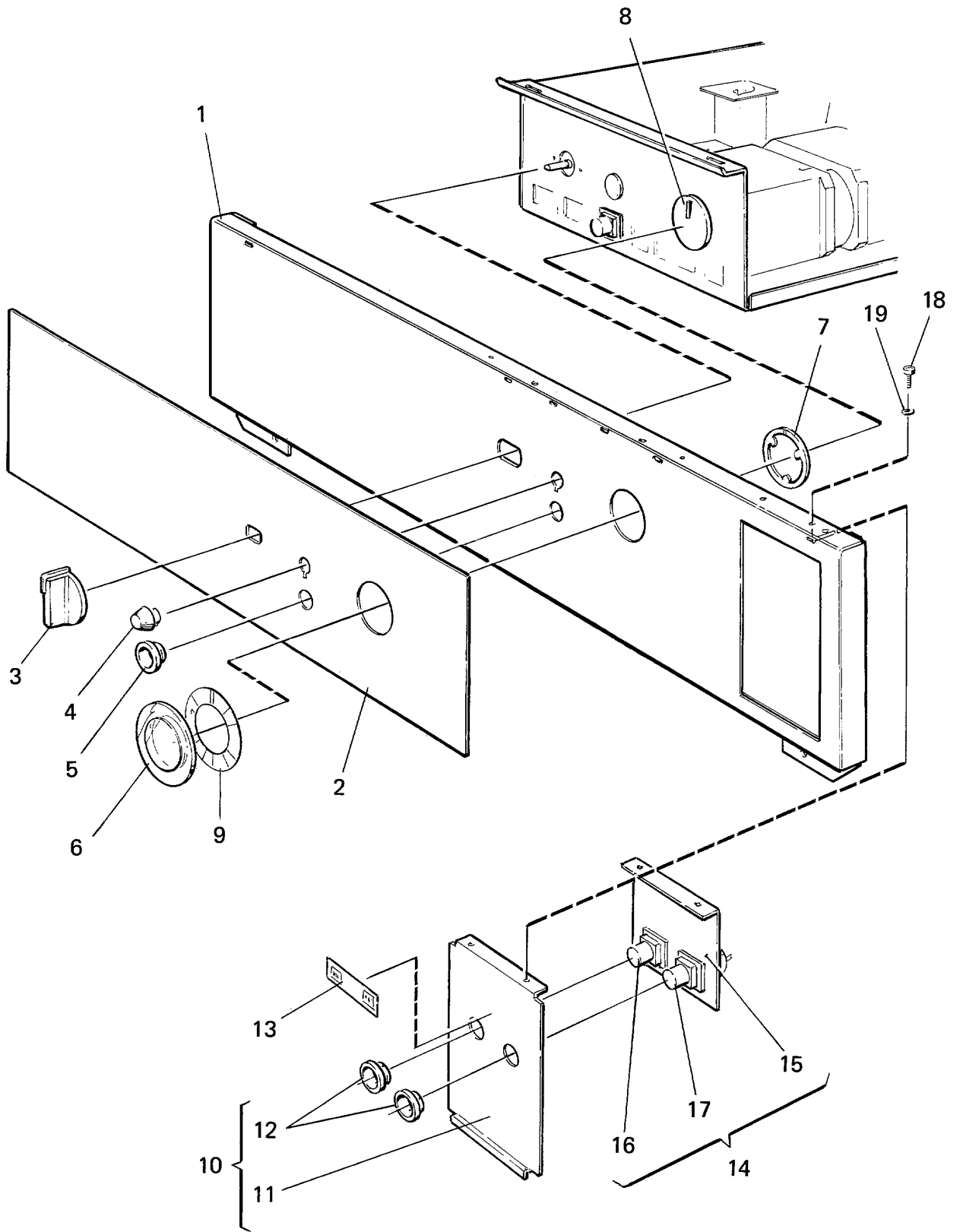
W184

Control panel

Manöverpanel

Illustration Issue Month Year
Illustration Utgåva Månad År
100295 2 5 1990

Item Pos.	Qua. Ant.	Art.No Art.nr	Description	Benämning	Info Info	Notes Anmärkning
1	1	471 4513-09	Control panel	Manöverpanel	1	Brown -85/13450
	1	471 4513-29	Control panel	Manöverpanel	1	Brown 85/13451-88/26301
	1	471 4782-29	Control panel	Manöverpanel	1	Black
2	1	471 4526-01	User instructions	Bruksanvisning	1	SWEDISH BROWN P1 -88/26301
	1	471 4526-30	User instructions	Bruksanvisning	1	SWEDISH SILVER P1
	1	471 4526-02	User instructions	Bruksanvisning	1	ENGLISH BROWN P1 -88/26301
	1	471 4526-31	User instructions	Bruksanvisning	1	ENGLISH SILVER P1
	1	471 4526-03	User instructions	Bruksanvisning	1	GERMAN BROWN P1 -88/26301
	1	471 4526-32	User instructions	Bruksanvisning	1	GERMAN SILVER P1
	1	471 4526-04	User instructions	Bruksanvisning	1	ITALIAN BROWN P1 -88/26301
	1	471 4526-33	User instructions	Bruksanvisning	1	ITALIAN SILVER P1
	1	471 4526-05	User instructions	Bruksanvisning	1	DUTCH BROWN P1 -88/26301
	1	471 4526-34	User instructions	Bruksanvisning	1	DUTCH SILVER P1
	1	471 4526-06	User instructions	Bruksanvisning	1	SWEDISH/FINNISH BROWN P1
	1	471 4526-35	User instructions	Bruksanvisning	1	SWEDISH/FINNISH SILVER P1
	1	471 4526-07	User instructions	Bruksanvisning	1	DANISH BROWN P1 -88/26301
	1	471 4526-36	User instructions	Bruksanvisning	1	DANISH SILVER P1
	1	471 4526-08	User instructions	Bruksanvisning	1	FRENCH BROWN P1 -88/26301
	1	471 4526-37	User instructions	Bruksanvisning	1	FRENCH SILVER P1
	1	471 4526-09	User instructions	Bruksanvisning	1	SPANISH BROWN P1 -88/26301
	1	471 4526-38	User instructions	Bruksanvisning	1	SPANISH SILVER P1
	1	471 4526-10	User instructions	Bruksanvisning	1	BELGIAN BROWN P1
	1	471 4526-11	User instructions	Bruksanvisning	1	NORWEGIAN BROWN P1 -88/26301
	1	471 4526-39	User instructions	Bruksanvisning	1	NORWEGIAN SILVER P1
	1	471 4526-12	User instructions	Bruksanvisning	1	SWEDISH HEAVYSOILED BROWN P1
	1	471 4526-40	User instructions	Bruksanvisning	1	SWEDISH HEAVYSOILED SILVER P1
	1	471 4526-50	User instructions	Bruksanvisning	1	ENGLISH, BROWN P2, P4 -88/26301
	1	471 4526-79	User instructions	Bruksanvisning	1	ENGLISH SILVER P2, P4
	1	471 4526-52	User instructions	Bruksanvisning	1	FRENCH BROWN P2,P4 -88/26301
	1	471 4526-80	User instructions	Bruksanvisning	1	FRENCH SILVER P2, P4
1	471 4526-60	User instructions	Bruksanvisning	1	NORWEGIAN, BROWN P2, P4 -88/26301	
1	471 4526-81	User instructions	Bruksanvisning	1	NORWEGIAN SILVER P2, P4AO	
3	1	472 5207-02	Knob	Vred	1,2	White
	1	438 0076-01	Knob	Vred	1,2	Complete
4	1	763 1802-01	Glass	Glas	1	Red
5	1	472 6079-00	Grommet	Genomföring	3	French
6	1	471 4829-01	Safety glass	Skyddsglas	1,2	
7	1	471 4830-01	Locking ring	Låsring	3	
8	1	472 6082-01	Pointer	Visare	1	
9	1		Sign	Skylt		
10	1	471 4849-01	Cover	Lock	3	Brown -88/26301



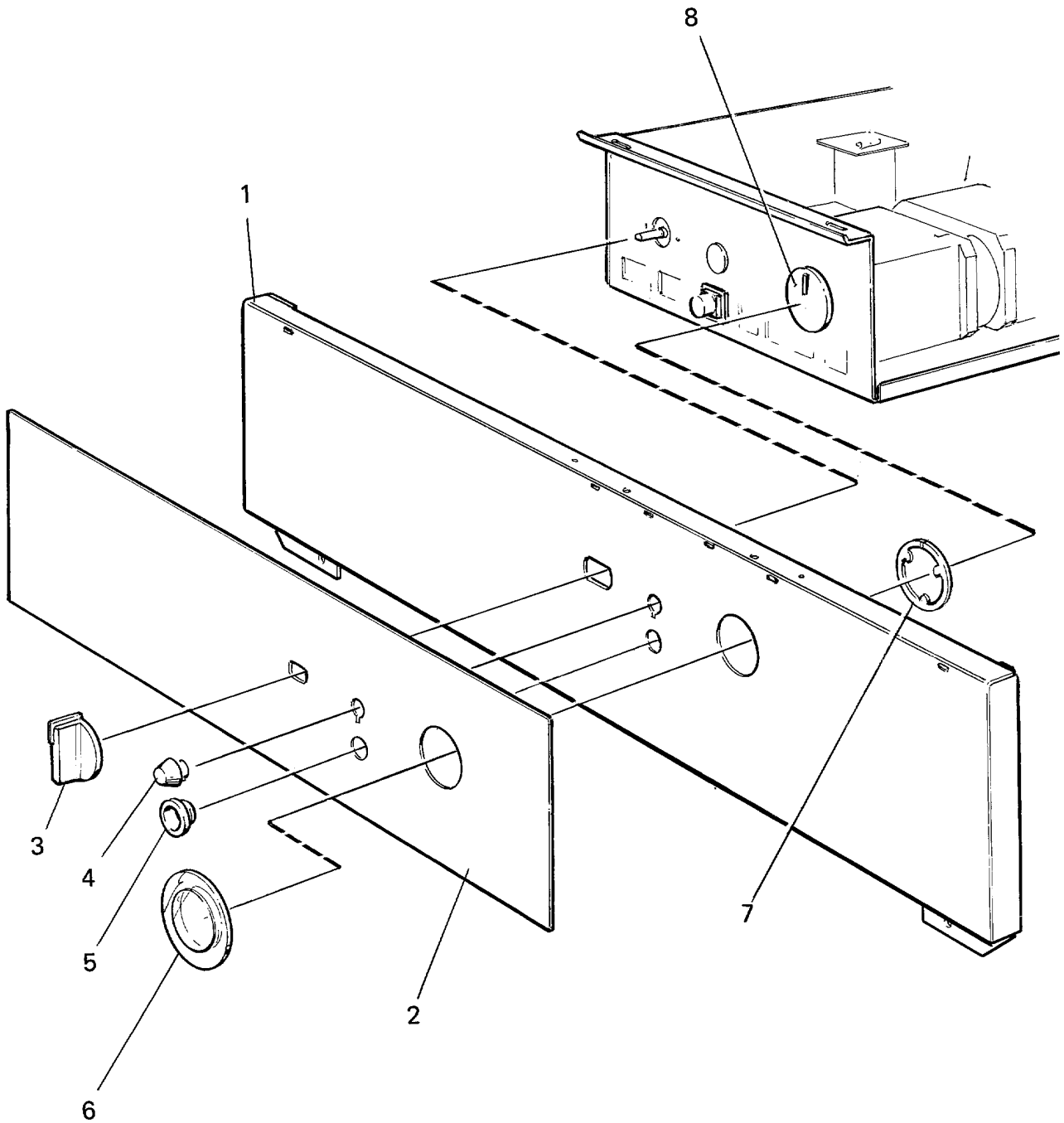
W184

Control panel

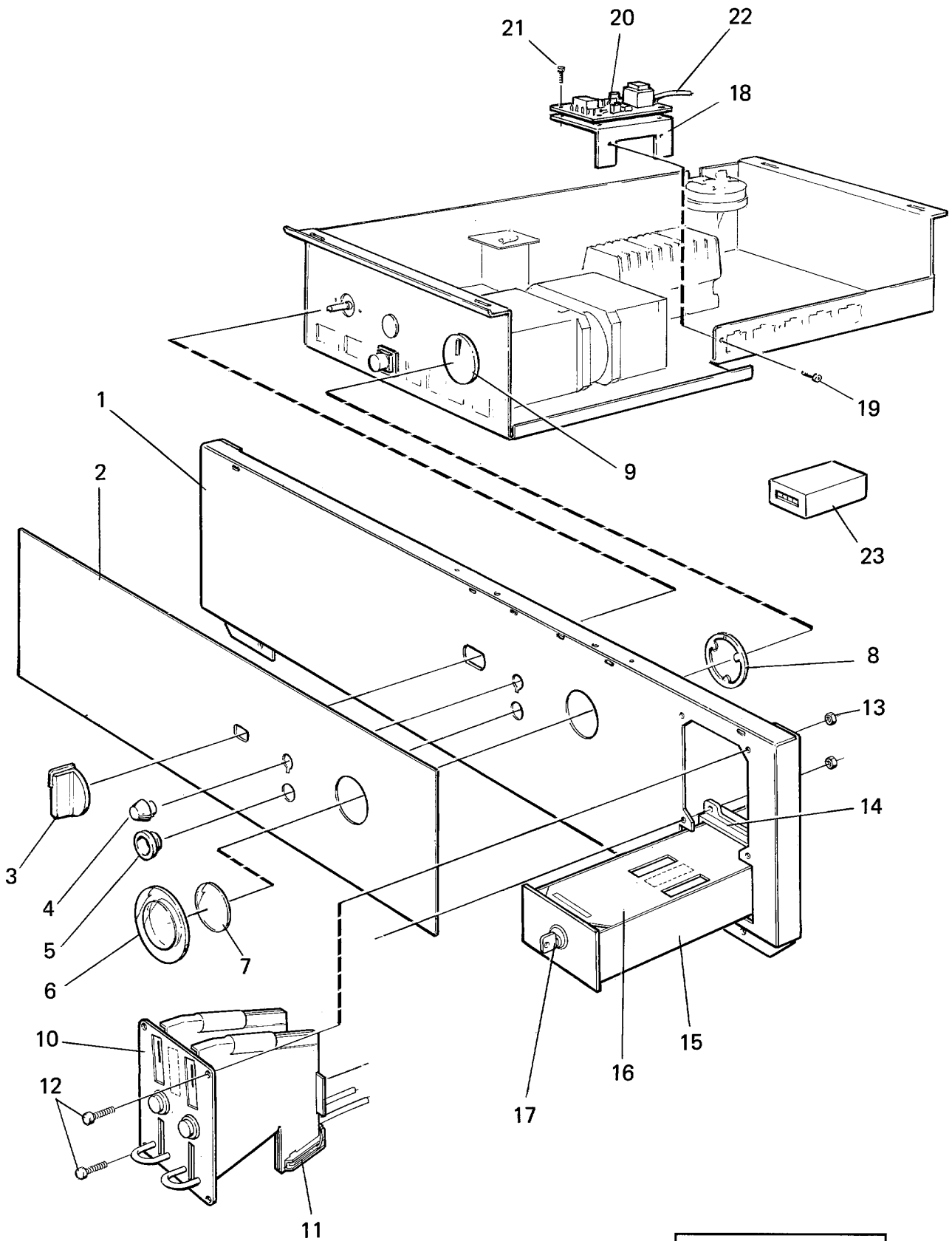
Manöverpanel

Illustration Issue Month Year
Illustration Utgåva Månad År
100295 2 5 1990

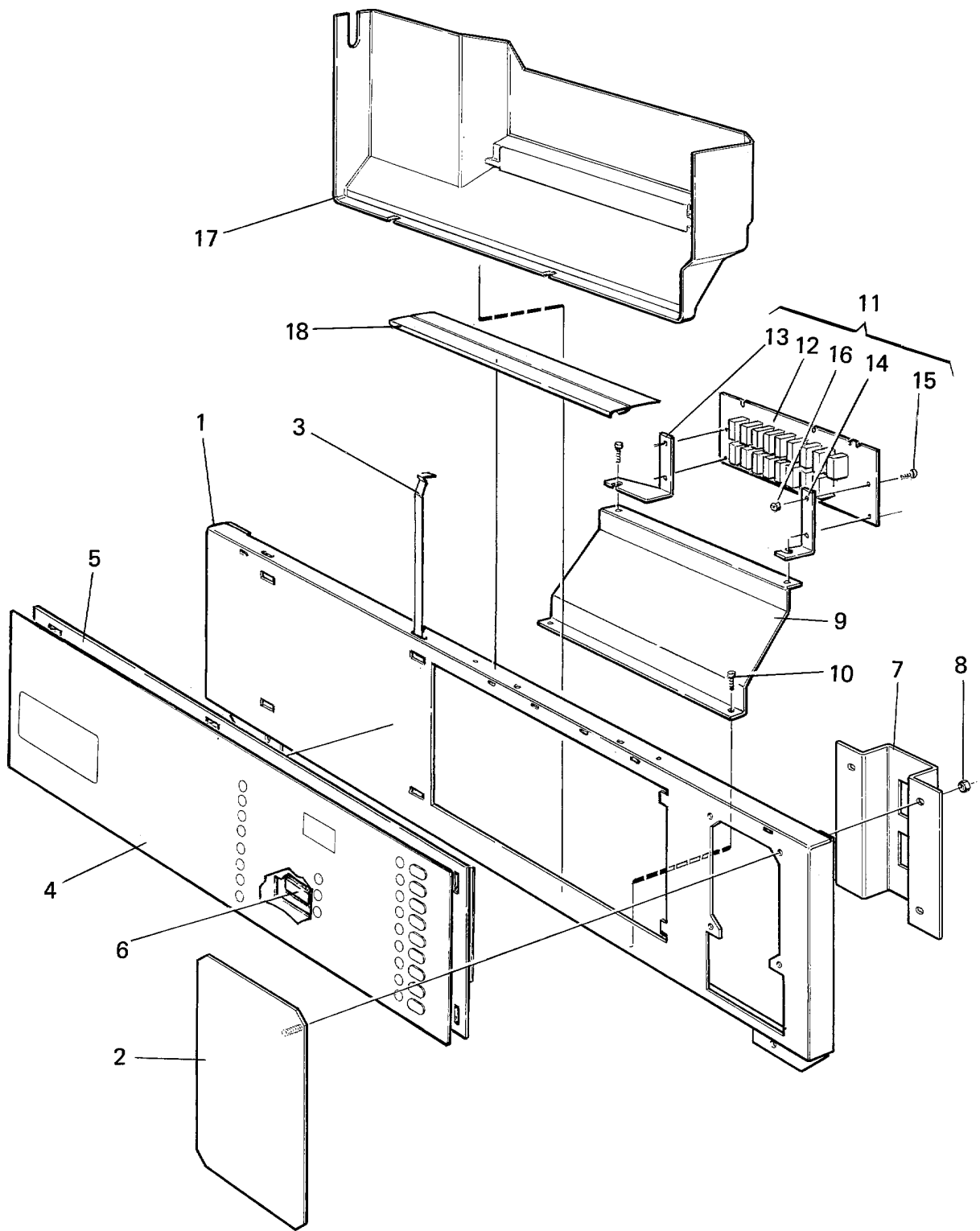
Item Pos.	Qua. Ant.	Art.No Art.nr	Description	Benämning	Info Info	Notes Anmärkning
	1	471 4849-04	Cover	Lock	3	Black 88/26302-
11	1	471 4523-01	•Cover	•Lock	3	
12	2	472 6079-00	•Grommet	•Genomföring	3	French
13	1	471 7618-01	Sign	Skylt	1	Brown -88/26301
	1	471 7618-03	Sign	Skylt	1	Black 88/26302-
14	1	471 4848-01	Bracket	Konsol	3	Complete
15	1	471 4524-01	•Bracket	•Konsol	3	
16	1	471 9610-05	•Switch	•Strömställare	1,2	
17	1	471 9610-07	•Switch	•Strömställare	1,2	
18	2	729 9342-61	Screw	Skruv	3	4,2X13
19	2	735 2136-01	Lock washer	Låsbricka	3	AZ 4,3



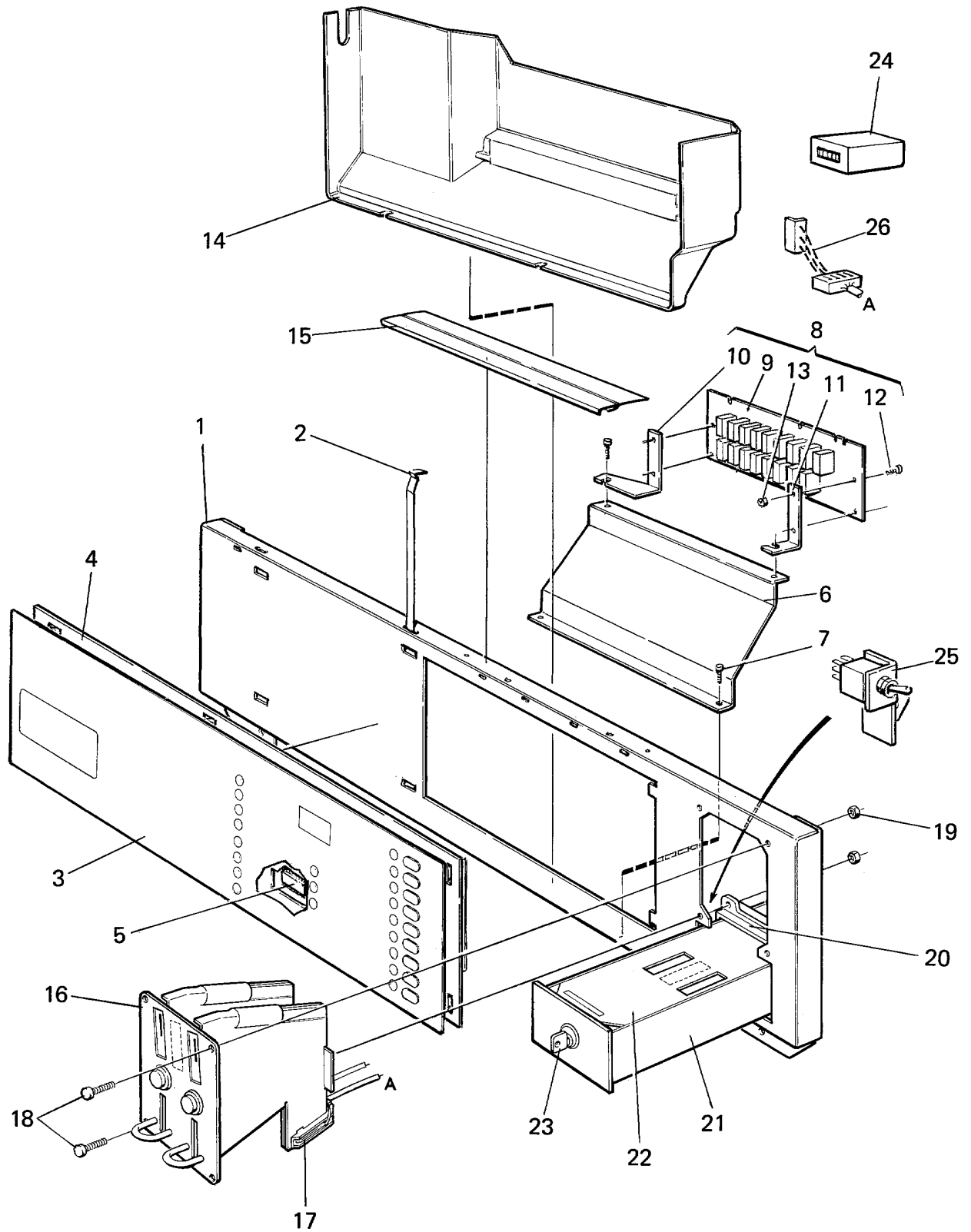
W184					Illustration	Issue	Month	Year
Control panel					Illustration	Utgåva	Månad	År
Manöverpanel					100275	2	5	1990
Item Pos.	Qua. Ant.	Art.No Art.nr	Description	Benämning	Info Info	Notes Anmärkning		
1	1	471 4513-08	Control panel	Manöverpanel	1	Brown -88/26301		
	1	471 4782-24	Control panel	Manöverpanel	1	Black		
2	1	471 4526-01	User instructions	Bruksanvisning	1	SWEDISH BROWN P1 -88/26301		
	1	471 4526-30	User instructions	Bruksanvisning	1	SWEDISH SILVER P1		
	1	471 4526-02	User instructions	Bruksanvisning	1	ENGLISH BROWN P1 -88/26301		
	1	471 4526-31	User instructions	Bruksanvisning	1	ENGLISH SILVER P1		
	1	471 4526-03	User instructions	Bruksanvisning	1	GERMAN BROWN P1 -88/26301		
	1	471 4526-32	User instructions	Bruksanvisning	1	GERMAN SILVER P1		
	1	471 4526-04	User instructions	Bruksanvisning	1	ITALIAN BROWN P1 -88/26301		
	1	471 4526-33	User instructions	Bruksanvisning	1	ITALIAN SILVER P1		
	1	471 4526-05	User instructions	Bruksanvisning	1	DUTCH BROWN P1 -88/26301		
	1	471 4526-34	User instructions	Bruksanvisning	1	DUTCH SILVER P1		
	1	471 4526-06	User instructions	Bruksanvisning	1	SWEDISH/FINNISH BROWN P1		
	1	471 4526-35	User instructions	Bruksanvisning	1	SWEDISH/FINNISH SILVER P1		
	1	471 4526-07	User instructions	Bruksanvisning	1	DANISH BROWN P1 -88/26301		
	1	471 4526-36	User instructions	Bruksanvisning	1	DANISH SILVER P1		
	1	471 4526-08	User instructions	Bruksanvisning	1	FRENCH BROWN P1 -88/26301		
	1	471 4526-37	User instructions	Bruksanvisning	1	FRENCH SILVER P1		
	1	471 4526-09	User instructions	Bruksanvisning	1	SPANISH BROWN P1 -88/26301		
	1	471 4526-38	User instructions	Bruksanvisning	1	SPANISH SILVER P1		
	1	471 4526-10	User instructions	Bruksanvisning	1	BELGIAN BROWN P1		
	1	471 4526-11	User instructions	Bruksanvisning	1	NORWEGIAN BROWN P1 -88/26301		
	1	471 4526-39	User instructions	Bruksanvisning	1	NORWEGIAN SILVER P1		
	1	471 4526-12	User instructions	Bruksanvisning	1	SWEDISH HEAVY SOILED BROWN P1		
	1	471 4526-40	User instructions	Bruksanvisning	1	SWEDISH HEAVY SOILED SILVER P1		
	1	471 4526-50	User instructions	Bruksanvisning	1	ENGLISH, BROWN P2, P4 -88/26301		
	1	471 4526-79	User instructions	Bruksanvisning	1	ENGLISH SILVER P2, P4		
	1	471 4526-52	User instructions	Bruksanvisning	1	FRENCH BROWN P2,P4 -88/26301		
	1	471 4526-80	User instructions	Bruksanvisning	1	FRENCH SILVER P2, P4		
	1	471 4526-60	User instructions	Bruksanvisning	1	NORWEGIAN, BROWN P2, P4 -88/26301		
	1	471 4526-81	User instructions	Bruksanvisning	1	NORWEGIAN SILVER P2, P4AO		
3	1	472 5207-02	Knob	Vred	1,2	White		
	1	438 0076-01	Knob	Vred	1,2	Complete		
4	1	763 1802-01	Glass	Glas	1	Red		
5	1	472 6079-00	Grommet	Genomföring	3	French		
6	1	471 4829-01	Safety glass	Skyddsglas	1,2			
7	1	471 4830-01	Locking ring	Låsring	3			
8	1	472 6082-01	Pointer	Visare	1			



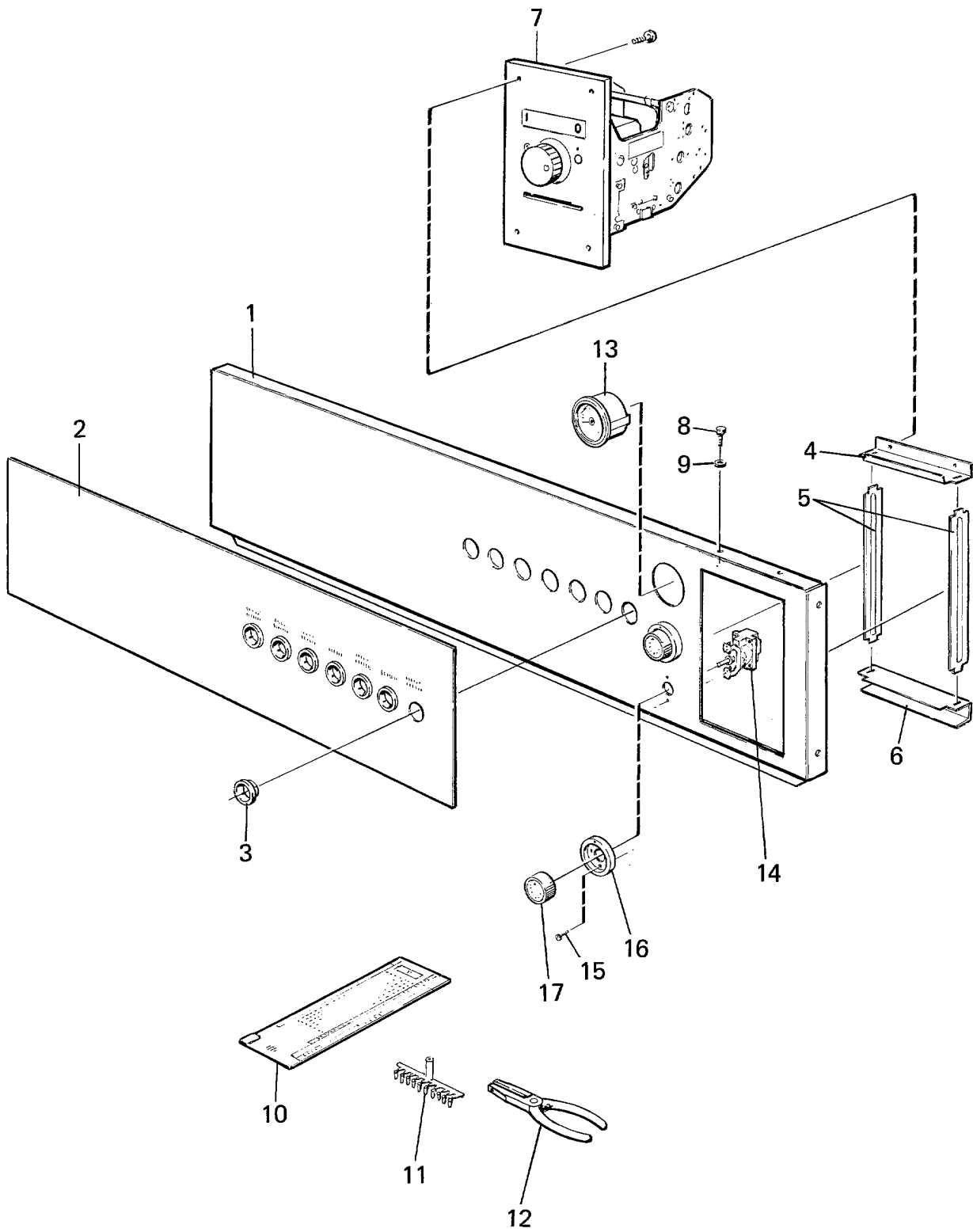
W184					Illustration	Issue	Month	Year
Control panel, coin meter					Illustration	Utgåva	Månad	År
Manöverpanel,myntmätare					100262/1	3	5	2002
Item Pos.	Qua. Ant.	Art.No Art.nr	Description	Benämning	Info Info	Notes Anmärkning		
1	1	471 4782-55	Control panel	Manöverpanel	1	Black		
2	1	471 4526-30	User instructions	Bruksanvisning	1	SWEDISH SILVER P1		
	1	471 4526-31	User instructions	Bruksanvisning	1	ENGLISH SILVER P1		
	1	471 4526-32	User instructions	Bruksanvisning	1	GERMAN SILVER P1		
	1	471 4526-33	User instructions	Bruksanvisning	1	ITALIAN SILVER P1		
	1	471 4526-34	User instructions	Bruksanvisning	1	DUTCH SILVER P1		
	1	471 4526-35	User instructions	Bruksanvisning	1	SWEDISH/FINNISH SILVER P1		
	1	471 4526-36	User instructions	Bruksanvisning	1	DANISH SILVER P1		
	1	471 4526-37	User instructions	Bruksanvisning	1	FRENCH SILVER P1		
	1	471 4526-38	User instructions	Bruksanvisning	1	SPANISH SILVER P1		
	1	471 4526-10	User instructions	Bruksanvisning	1	BELGIAN BROWN P1		
	1	471 4526-39	User instructions	Bruksanvisning	1	NORWEGIAN SILVER P1		
	1	471 4526-40	User instructions	Bruksanvisning	1	SWEDISH HEAVY SOILED SILVER P1		
	1	471 4526-70	User instructions	Bruksanvisning	1	ENGLISH SILVER P2, P4		
	1	471 4526-72	User instructions	Bruksanvisning	1	FRENCH SILVER P2, P4		
	1	471 4526-71	User instructions	Bruksanvisning	1	DANISH SILVER P2, P4		
	1	471 4526-21	User instructions	Bruksanvisning	1	GERMAN BROWN P2, P4		
	1	471 4526-24	User instructions	Bruksanvisning	1	SPANISH BROWN P2, P4		
	1	471 4526-25	User instructions	Bruksanvisning	1	DUTCH BROWN P2, P4		
	1	471 4525-34	User instructions	Bruksanvisning	1	SPANISH SILVER P3		
	1	471 4525-38	User instructions	Bruksanvisning	1	ENGLISH SILVER P3		
	1	471 4525-39	User instructions	Bruksanvisning	1	FRENCH SILVER P3		
	1	471 4525-40	User instructions	Bruksanvisning	1	DUTCH SILVER P3		
	1	471 4525-37	User instructions	Bruksanvisning	1	JAPAN SILVER P8		
3	1	472 5207-02	Knob	Vred	1,2	White		
	1	438 0076-01	Knob	Vred	1,2	Complete		
4	1	763 1802-01	Glass	Glas	1	Red		
5	1	472 6079-00	Grommet	Genomföring	3	French		
6	1	471 4529-01	Safety glass	Skyddsglas	1,2			
7	1	471 4862-01	Glass	Glas	1,2			
8	1	471 4830-01	Locking ring	Låsring	3			
9	1	472 6082-01	Pointer	Visare	1			
10			Coin meter	Myntmätare		See group 8511		
11	1	471 8910-91	•Sensor	•Avkännare	1,2			
12	4	471 8910-90	Screw	Skruv	3			
13	4	731 2312-01	Nut	Mutter	3	M4		
14	1	471 4596-01	Frame	Ram	3			
15	1	471 4591-01	Coin box	Myntlåda	1	Complete		
16	1	471 4592-01	Cover	Lock	3			
17	1	471 7829-01	Lock	Lås	1,2			
18	1	471 4707-01	Bracket	Konsol	3			
19	2	725 2289-01	Screw	Skruv	3			
20	1	471 8966-11	Counter	Räkneenhet	1	1 Coin		
	1	471 8966-12	Counter	Räkneenhet	1	2 Coins		
21	2	724 1226-61	Screw	Skruv	3	M3X12		
22			Cable set	Ledningssats				
23	1	472 7744-01	Coin counter	Mynträknare	1	220V		



W184MP					Illustration	Issue	Month	Year
Control panel, manual MP					Illustration	Utgåva	Månad	År
Manöverpanel,manuell MP					100263/1	2	5	2002
Item Pos.	Qua. Ant.	Art.No Art.nr	Description	Benämning	Info Info	Notes Anmärkning		
1	1	471 4513-20	Control panel	Manöverpanel	1,2	Brown		
	1	471 4782-28	Control panel	Manöverpanel	1,2	Black		
2	1	471 4905-01	Door	Lucka	3	Brown		
	1	471 4905-41	Cover plate	Täckplåt	3	Black		
3	2	471 4586-01	Lock plate	Låsbleck	3			
4	1	471 4579-22	User instructions	Bruksanvisning	3	ENGLISH BROWN PE1		
	1	471 4579-80	User instructions	Bruksanvisning	3	ENGLISH SILVER PE1		
	1	471 4579-23	User instructions	Bruksanvisning	3	GERMAN BROWN PE1		
	1	471 4579-81	User instructions	Bruksanvisning	3	GERMAN SILVER PE1		
	1	471 4579-24	User instructions	Bruksanvisning	3	ITALIAN BROWN PE1		
	1	471 4579-25	User instructions	Bruksanvisning	3	DUTCH BROWN PE1		
	1	471 4579-26	User instructions	Bruksanvisning	3	SWEDISH/FINNISH BROWN PE1		
	1	471 4579-82	User instructions	Bruksanvisning	3	SWEDISH/FINNISH SILVER PE1		
	1	471 4579-27	User instructions	Bruksanvisning	3	DANISH BROWN PE1		
	1	471 4579-83	User instructions	Bruksanvisning	3	DANISH SILVER PE1		
	1	471 4579-28	User instructions	Bruksanvisning	3	FRENCH BROWN PE1		
	1	471 4579-84	User instructions	Bruksanvisning	3	FRENCH SILVER PE1		
	1	471 4579-29	User instructions	Bruksanvisning	3	SPANISH BROWN PE1		
	1	471 4579-31	User instructions	Bruksanvisning	3	NORWEGIAN, BROWN PE1 -88/26301		
	1	471 4579-85	User instructions	Bruksanvisning	3	NORWEGIAN SILVER PE1		
	1	471 4579-33	User instructions	Bruksanvisning	3	ENGLISH BROWN PE2		
	1	471 4579-87	User instructions	Bruksanvisning	3	ENGLISH SILVER PE2		
	1	471 4712-52	User instructions	Bruksanvisning	3	ENGLISH BROWN PE2		
	1	471 4712-53	User instructions	Bruksanvisning	3	JAPAN BROWN PE8		
5	1	471 4903-01	Printed circuit board	Kretskort	1,2	Complete		
6	1		Program memory	Programminne	1,2			
7	1	471 4904-01	Bracket	Konsol	3			
8	4	731 2312-01	Nut	Mutter	3	M4		
9	1	471 4595-01	Bracket	Konsol	3			
10	2	725 2289-61	Screw	Skruv	3	M4X10		
11	1	471 8971-01	RC-card	RC-kort	1,2	Complete		
12	1	471 4934-01	•RC-card	•RC-kort	1,2			
13	1	471 4652-94	•Bracket	•Konsol	3	Right		
14	1	471 4652-93	•Bracket	•Konsol	3	Left		
15	4	724 1220-01	•Screw	•Skruv	3			
16	4	731 2310-01	•Nut	•Mutter	3	M3		
17	1	471 4714-01	Heat shield	Värmesköld	3			
18	1	471 4706-01	Cover	Skydd	3			



W184MP					Illustration	Issue	Month	Year
Control panel, coin meter					Illustration	Utgåva	Månad	År
Manöverpanel,myntmätare					100264/1	1	6	1988
Item Pos.	Qua. Ant.	Art.No Art.nr	Description	Benämning	Info Info	Notes Anmärkning		
1	1	471 4513-20	Control panel	Manöverpanel	1,2	Brown		
	1	471 4782-28	Control panel	Manöverpanel	1,2	Black		
2	2	471 4586-01	Lock plate	Låsbleck	3			
3	1	471 4579-01	User instructions	Bruksanvisning	3	SWEDISH BROWN PE1		
	1	471 4579-70	User instructions	Bruksanvisning	3	SWEDISH SILVER PE1		
	1	471 4579-02	User instructions	Bruksanvisning	3	ENGLISH BROWN PE1		
	1	471 4579-03	User instructions	Bruksanvisning	3	GERMAN BROWN PE1		
	1	471 4579-04	User instructions	Bruksanvisning	3	ITALIAN BROWN PE1		
	1	471 4579-05	User instructions	Bruksanvisning	3	DUTCH BROWN PE1		
	1	471 4579-06	User instructions	Bruksanvisning	3	SWEDISH/FINNISH BROWN PE1		
	1	471 4579-07	User instructions	Bruksanvisning	3	DANISH BROWN PE1		
	1	471 4579-71	User instructions	Bruksanvisning	3	DANISH SILVER PE1		
	1	471 4579-08	User instructions	Bruksanvisning	3	FRENCH BROWN PE1		
	1	471 4579-09	User instructions	Bruksanvisning	3	SPANISH BROWN PE1		
	1	471 4579-11	User instructions	Bruksanvisning	3	NORWEGIAN, BROWN PE1 -88/26301		
	1	471 4579-72	User instructions	Bruksanvisning	3	NORWEGIAN SILVER PE1		
	1	471 4712-02	User instructions	Bruksanvisning	3	ENGLISH BROWN PE2		
	1	471 4712-05	User instructions	Bruksanvisning	3	DUTCH SILVER PE2		
	1	471 4712-03	User instructions	Bruksanvisning	3	JAPAN BROWN PE8		
4	1	471 4903-01	Printed circuit board	Kretskort	1,2	Complete		
5	1		Program memory	Programminne	1,2			
6	1	471 4595-01	Bracket	Konsol	3			
7	2	725 2289-61	Screw	Skruv	3	M4X10		
8	1	471 8971-01	RC-card	RC-kort	1,2	Complete		
9	1	471 4934-01	•RC-card	•RC-kort	1,2			
10	1	471 4652-94	•Bracket	•Konsol	3	Right		
11	1	471 4652-93	•Bracket	•Konsol	3	Left		
12	4	724 1220-01	•Screw	•Skruv	3			
13	4	731 2310-01	•Nut	•Mutter	3	M3		
14	1	471 4714-01	Heat shield	Värmesköld	3			
15	1	471 4706-01	Cover	Skydd	3			
16			Coin meter	Myntmätare		See group 8511		
17	1	471 8910-91	•Sensor	•Avkännare	1,2			
18	4	471 8910-90	Screw	Skruv	3			
19	4	731 2312-01	Nut	Mutter	3	M4		
20	1	471 4596-01	Frame	Ram	3			
21	1	471 4591-01	Coin box	Myntlåda	1	Complete		
22	1	471 4592-01	Cover	Lock	3			
23	1	471 7829-01	Lock	Lås	1,2			
24	1	472 7744-01	Coin counter	Mynträknare	1	220V		
25	1	471 4766-01	Switch	Brytare	1	Complete		
26	1	471 4878-25	Connection	Anslutning	3			



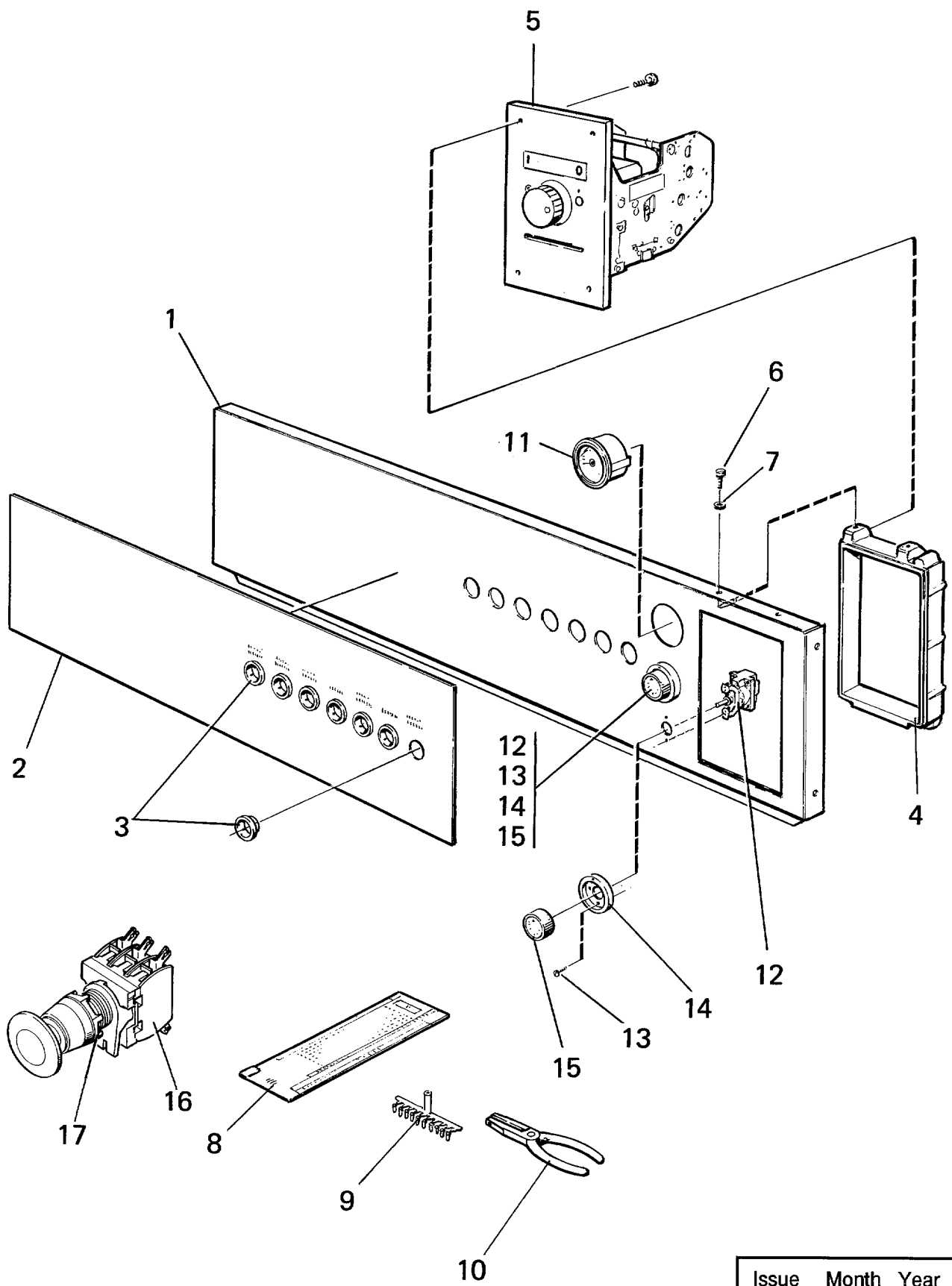
FL184

Control panel

Manöverpanel

Illustration Issue Month Year
Illustration Utgåva Månad År
100392 1 6 1988

Item Pos.	Qua. Ant.	Art.No Art.nr	Description	Benämning	Info Info	Notes Anmärkning
1	1	471 4513-10	Control panel	Manöverpanel	1	Brown Non-heated
	1	471 4513-11	Control panel	Manöverpanel	1	Brown
2	1	471 4527-17	User instructions	Bruksanvisning	3	Brown SYMBOLS, EL, DS
	1	471 4527-66	Panel sign	Panelskylt	3	Brown SYMBOLS, NON-HEATED
3	7	472 6079-00	Grommet	Genomföring	3	French
4	1	471 4500-01	Bracket	Fäste	3	
5	2	471 4502-01	Brace	Stag	3	
6	1	471 4501-01	Bracket	Fäste	3	
7			Card programmer	Plankortsautomat		See group 8337
8	2	729 5408-01	Screw	Skruv	3	RXS 4,8X9,5
9	2	735 2146-01	Washer	Bricka	3	M5
10	1	471 9008-30	Program card	Programkort	1,2	80
	1	471 9200-78	Program card	Programkort	1,2	120
11	1	471 6654-10	Pin	Stift	1,2	Set, 10pcs
12	1	471 8961-01	Pliers	Tång	1,2	
13	1	471 8810-01	Thermometer	Termometer	1,2	
14	2	471 8804-01	Thermostat	Termostat	1,2	
15	4	724 1285-01	Screw	Skruv	3	M4X6
16	2	471 8804-71	Scale	Skala	1	
17	2	471 8804-51	Handwheel	Ratt	1	



100334

Issue	Month	Year
03	04	95

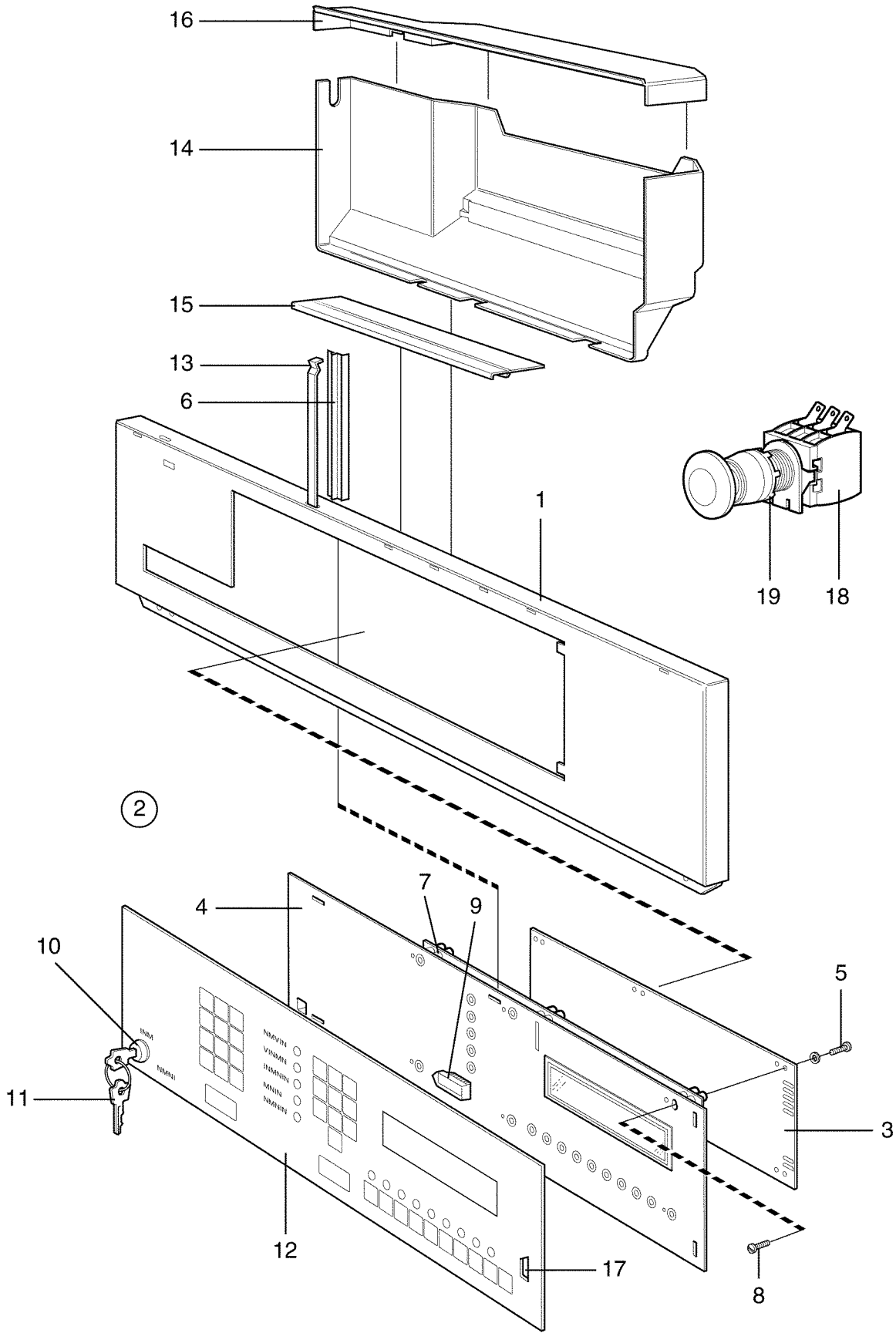
FL184

Control panel

Manöverpanel

Illustration Issue Month Year
Illustration Utgåva Månad År
100334 2 3 1995

Item Pos.	Qua. Ant.	Art.No Art.nr	Description	Benämning	Info Info	Notes Anmärkning
1	1	471 4513-31	Control panel	Manöverpanel	1	Brown Non-heated -88/26301
	1	471 4782-30	Control panel	Manöverpanel	1	Black Non-heated
	1	471 4513-33	Control panel	Manöverpanel	1	Brown -88/26301
	1	471 4782-31	Control panel	Manöverpanel	1	Black
2	1	471 4527-66	Panel sign	Panelskylt	3	Brown SYMBOLS, NON-HEATING
	1	471 4527-70	User instructions	Bruksanvisning	3	SILVER SYMBOLER, NON-HEATING
	1	471 4527-17	User instructions	Bruksanvisning	3	Brown SYMBOLS -88/26301
	1	471 4527-30	User instructions	Bruksanvisning	3	SILVER SYMBOLS, EL, DS
3	7	472 6079-00	Grommet	Genomföring	3	French
4	1	471 4705-02	Frame	Ram	3	
5			Card programmer	Plankortsautomat		See group 8337
6	2	729 5408-01	Screw	Skruv	3	RXS 4,8X9,5
7	2	735 2146-01	Washer	Bricka	3	M5
8	1	471 9008-30	Program card	Programkort	1,2	80
	1	471 9200-78	Program card	Programkort	1,2	120
9	1	471 6654-10	Pin	Stift	1,2	Set,10pcs
10	1	471 8961-01	Pliers	Tång	1,2	
11	1	471 8810-01	Thermometer	Termometer	1,2	
12	2	471 8804-01	Thermostat	Termostat	1,2	
13	4	724 1285-01	Screw	Skruv	3	M4X6
14	2	471 8804-71	Scale	Skala	1	
15	2	471 8804-51	Handwheel	Ratt	1	



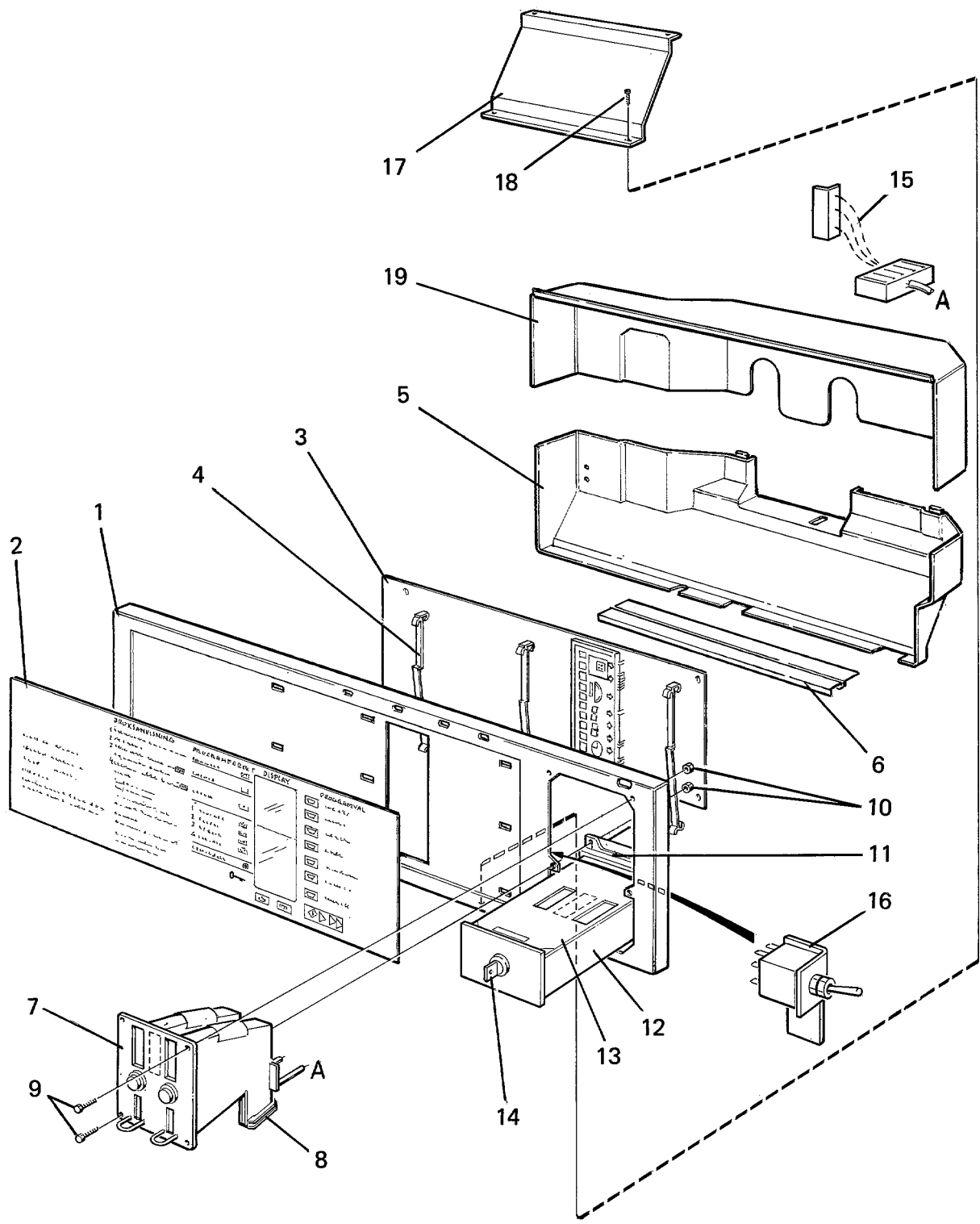
FL184MP

Control panel, FL-MP

Manöverpanel,FL-MP

Illustration Issue Month Year
Illustration Utgåva Månad År
100355/7 8 12 2001

Item Pos.	Qua. Ant.	Art.No Art.nr	Description	Benämning	Info Info	Notes Anmärkning
1	1	471 4782-33	Control panel	Manöverpanel	1	Black
2	1	471 4903-03	Printed circuit board	Kretskort	1,2	Complete -89/33471
	1	471 8977-03	Printed circuit board	Kretskort	1,2	Complete 89/33472-91/72233
	1	471 8977-13	Printed circuit board	Kretskort	1,2	Complete 91/72234- Not used
3						
4	1	471 4797-01	•Mounting plate	•Monteringsplåt	1	
5	6	729 5230-71	•Screw	•Skruv	3	
6	1	471 4785-01	•Guide	•Styrning	3	
7	6	471 4791-01	•Spacer	•Distans	3	
8	6	729 5221-01	•Screw	•Skruv	3	RXS 2,9X6,5
9	1		Program memory	Programminne	1,2	
10	1	471 4878-84	Switch	Brytare	1,2	Complete
11	1	471 8733-10	Key	Nyckel	1,2	
12	1	471 4783-01	Panel sign	Panelskylt	1	English -89/33171
	1	471 4783-02	Panel sign	Panelskylt	1	Swedish -89/33171
	1	471 4783-04	Panel sign	Panelskylt	1	German -89/33171
	1	472 5756-01	Panel sign	Panelskylt	1	English 89/33172-
	1	472 5756-02	Panel sign	Panelskylt	1	Swedish 89/33172-
	1	472 5756-04	Panel sign	Panelskylt	3	German 89/33172-
	1	472 5756-06	Panel sign	Panelskylt	3	Norwegian 89/33172-
13	2	471 4586-01	Lock plate	Låsbleck	3	
14	1	471 4714-04	Heat shield	Värmesköld	3	Lower
15	1	471 4706-02	Cover	Skydd	3	-89/33471
16	1	471 4714-05	Heat shield	Värmesköld	3	Upper
17			Memory cartridge	Minneskasset		See group 8342



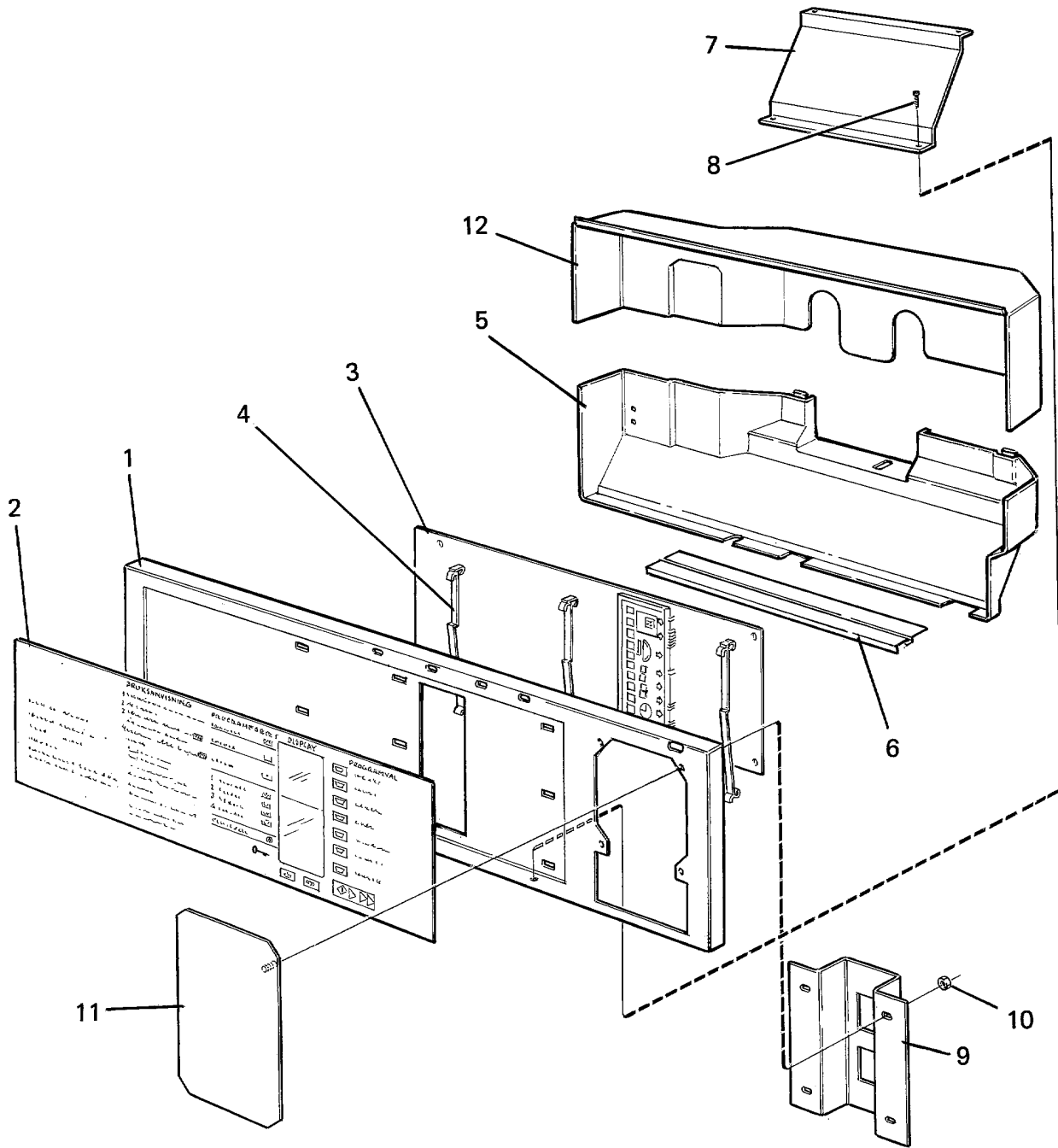
W184MP

Control panel with coin meter PE11 GEN III

Manöverpanel med myntmätare PE11 GEN III

Illustration Issue Month Year
Illustration Utgåva Månad År
100558/1 2 12 1990

Item Pos.	Qua. Ant.	Art.No Art.nr	Description	Benämning	Info Info	Notes Anmärkning
1	1	471 4782-59	Control panel	Manöverpanel	1	Black
2	1	472 5752-10	Panel sign	Panelskylt	1	Swedish PE11
	1	472 5752-73	Panel sign	Panelskylt	1	English PE02
3	1	471 8964-04	Printed circuit board	Elektronikkort	1,2	Complete
4	3	472 8969-03	Bracket	Hållare	3	
5	1	438 4009-02	Heat shield	Värmesköld	3	Lower, 90/35272-
6	1	471 4706-02	Cover	Skydd	3	-90/35271
7			Coin meter	Myntmätare		See group 8511
8	1	471 8910-91	Sensor	Avkännare	1,2	
9	4	471 8910-90	Screw	Skruv	3	
10	4	731 2312-01	Nut	Mutter	3	M4
11	1	471 4596-01	Frame	Ram	3	
12	1	471 4591-01	Coin box	Myntlåda	1	Complete
13	1	471 4592-01	Cover	Lock	3	
14	1	471 7829-01	Lock	Lås	1,2	
15	1	471 4876-10	Connection	Anslutning	3	
16	1	471 4766-02	•Switch	•Brytare	1	Complete
17	1	471 4595-01	Bracket	Konsol	3	
18	2	725 2289-61	Screw	Skruv	3	M4X10
19	1	438 4009-01	Heat shield	Värmesköld	3	Upper 90/35272-



100749

Issue	Month	Year
02	06	90

W184MP

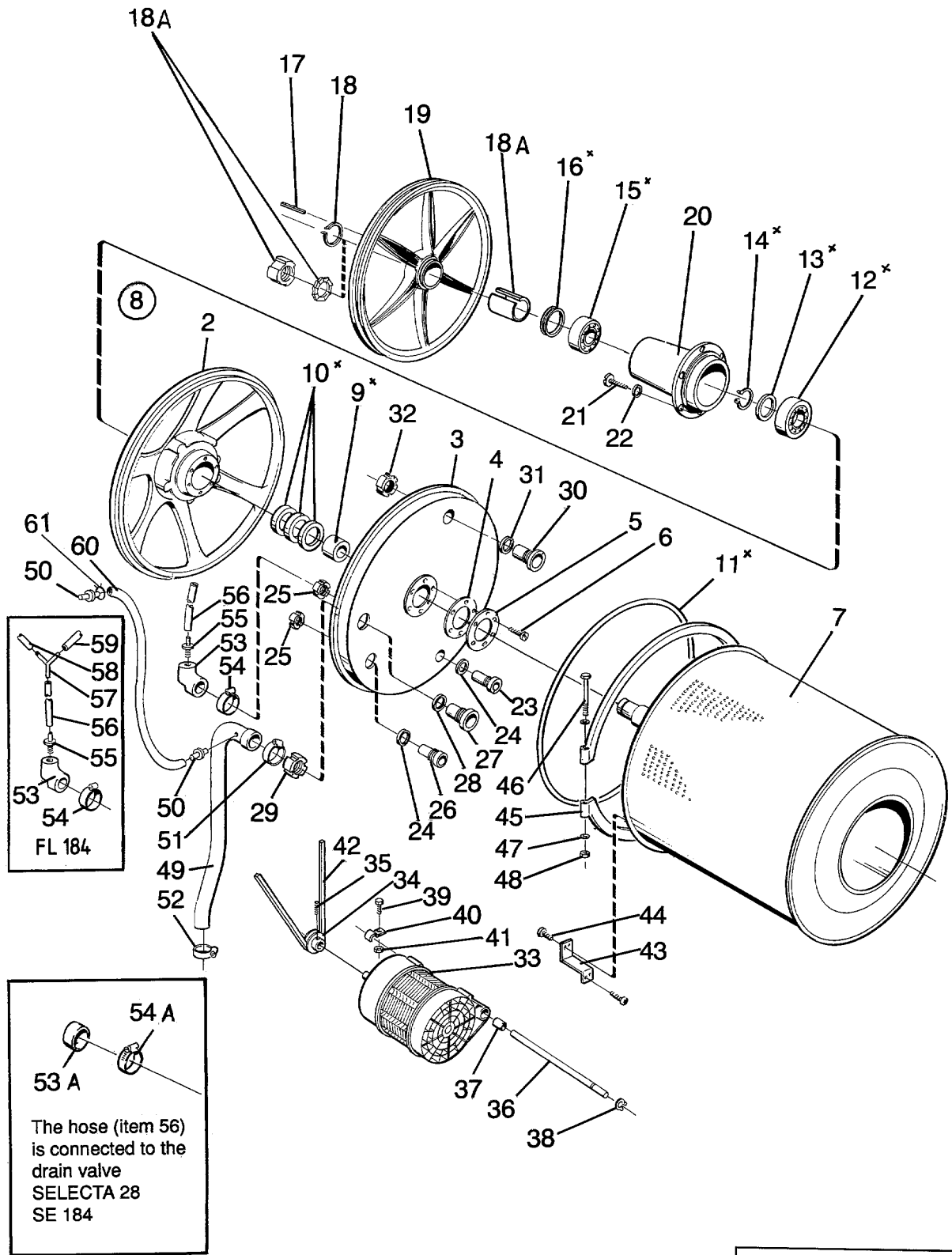
Control panel without coin meter PE11, PE02

Manöverpanel utan myntmätare PE11,PE02

Illustration	Issue	Month	Year
Illustration	Utgåva	Månad	År
100749	3	12	1990

Item Pos.	Qua. Ant.	Art.No Art.nr	Description	Benämning	Info Info	Notes Anmärkning
1	1	471 4782-59	Control panel	Manöverpanel	004	Black
2	1	472 5752-01	Panel sign	Pannelskylt	1	Swedish PE11
	1	472 5752-02	Panel sign	Pannelskylt	1	English PE02, HOSPITAL
	1	472 5752-03	Panel sign	Pannelskylt	1	English PE01
	1	472 5752-72	Panel sign	Pannelskylt	1	English PE02
	1	472 5752-06	Panel sign	Pannelskylt	1	German PE01
3	1	471 8964-04	Printed circuit board	Elektronikkort	1,2	Complete
4	3	472 8969-03	Bracket	Hållare	3	
5	1	438 4009-02	Heat shield	Värmesköld	3	Lower, 90/35272-
6	1	471 4706-02	Cover	Skydd	3	-90/35271
7	1	471 4595-01	Bracket	Konsol	3	
8	2	725 2289-61	Screw	Skruv	3	M4X10
9	1	471 4904-01	Bracket	Konsol	3	
10	4	731 2312-01	Nut	Mutter	3	M4
11	1	471 4905-01	Door	Lucka	3	Brown
12	1	438 4009-01	Heat shield	Värmesköld	3	Upper 90/35272-

①



W184,W184MP,FL184,FL184MP

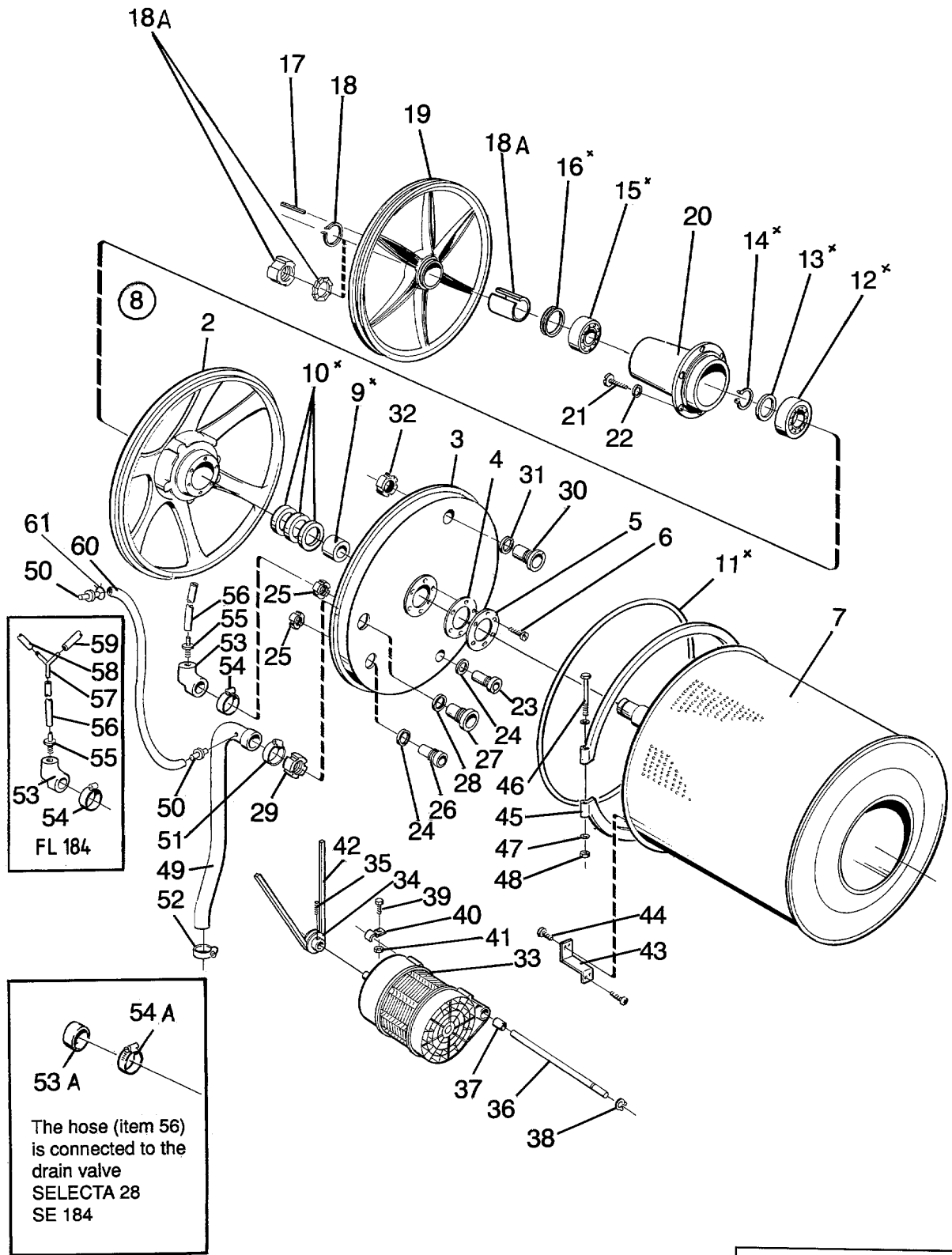
Back plate with inner drum, bearing, pulley, motor

Illustration Issue Month Year
Illustration Utgåva Månad År
100398/6 9 6 1995

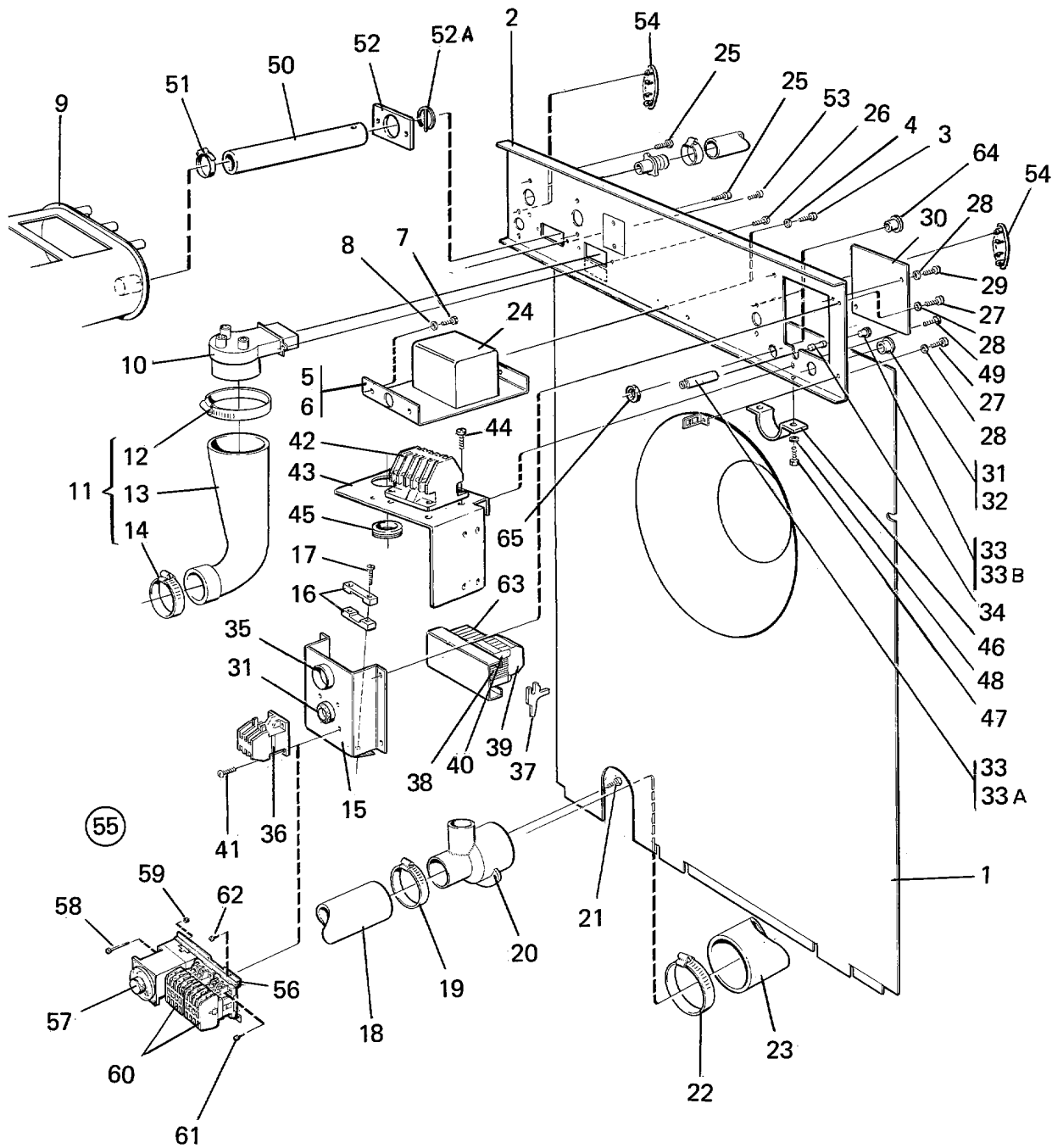
Bakgavel m innertr.lagr.remsk.motor

Item Pos.	Quantity Antal	Art.No Art.nr	Description	Benämning	Info Info	Notes Anmärkning
			W184,W184MP			
			FL184,FL184MP			
1	1	471 2960-03	Back plate	Bakgavel	1	Complete
2	1	472 9900-01	•Back plate	•Bakgavel	3	Complete
3	1		••Plate	••Plåt	3	
4	1		••Washer	••Bricka	3	
5	1	471 2574-02	••Gasket	••Packning	1	
6	6		••Screw	••Skruv	3	
7	1	471 1832-01	•Inner drum	•Innertrumma	1	84/11050 -84/11050
	1	471 2958-01	•Inner drum	•Innertrumma	1	84/11051-
8	1	472 9902-20	•Repair kit	•Renoveringssats	1,2	
9	1	438 0466-02	••Bushing	••Bussning		
10	3	471 8187-10	••Sealing ring	••Tätningring		
11	1	471 2451-81	••Rubber strip	••Gummilist		
12	1	738 2312-30	••Ball bearing	••Kullager		
13	1	471 2074-88	••Ring	••Ring		
14	1	735 3147-00	••C-clamp	••Spårring		SGA 60
15	1	738 2309-31	••Ball bearing	••Kullager		
16	1	740 6829-21	••O-ring	••O-ring		
17	1	471 9219-52	•Wedge	•Kil	1	-84/11050
18	1	735 3139-00	•C-clamp	•Spårring	3	SGA 45 -84/11050
18A	1	471 8551-02	•Sleeve	•Hylsa	3	Complete 84/11051-
19	1	471 1638-00	•Pulley	•Remskiva	1	-84/11050
	1	471 2539-00	•Pulley	•Remskiva	1	84/11051-
20	1	471 2074-85	•Bearing housing	•Lagerhus	3	
21	6	725 2632-71	•Screw	•Skruv	3	M16X60
22	6	734 1186-01	•Washer	•Bricka	3	BRB 17X30
23	1	438 0456-01	•Nipple	•Nippel	1	
24	1	471 2440-10	•Gasket	•Packning	1	
25	1	438 0457-01	•Nut	•Mutter	1	
27	1	438 4101-01	•Nipple	•Nippel	1	
28	1	471 2441-44	•Gasket	•Packning	1	
29	1	438 4100-01	•Nut	•Mutter	1	
30	1	438 0458-01	•Nipple	•Nippel	1	
31	1	471 2440-12	•Gasket	•Packning	1	
32	1	438 0459-01	•Nut	•Mutter	1	
33	1		Motor	Motor	1,2	See group 8202
34	1	471 2078-43	Pulley	Remskiva	3	50Hz
	1	471 2078-44	Pulley	Remskiva	3	60Hz
35	2	738 8362-01	Screw	Skruv	3	SK6SS 6X8
36	1	471 2459-37	Shaft	Axel	3	3AC
37	2	471 2059-18	Rubber bushing	Gummibussning	1	
38	2	735 3122-20	Circlip	Segersäkkring	3	
39	1	725 2372-51	Screw	Skruv	3	M6X25
40	1	471 2420-47	Clamp	Bygel	3	
41	1	732 2116-01	Locking nut	Låsmutter	3	M6
42	1	471 7701-52	V-belt	Kilrem	1,2	50Hz SET OF TWO
43	1	471 2433-02	Bracket	Fäste	3	
44	4	725 2366-61	Screw	Skruv	3	M6SF 6X12
45	2	471 2072-98	Tension strap	Spännband	3	
46	2	471 9222-59	Screw	Skruv	3	M8X140
47	4	471 8502-14	Washer	Bricka	3	BRB 8,4X17
48	2	732 2118-01	Locking nut	Låsmutter	3	M8
49	1	471 2906-01	Hose	Slang	1	-84/10250
	1	471 2906-02	Hose	Slang	1	84/10251-
50	2	471 2432-25	Hose nipple	Slangnippel	1	84/10251-91/39057
51	1	736 2840-51	Hose clamp	Slangklämna	3	Ø50-63 65
52	1	736 2831-51	Hose clamp	Slangklämna	3	Ø36-42 44
53	1	471 2095-32	Air chamber	Luftdosa	1	

①



W184,W184MP,FL184,FL184MP Back plate with inner drum, bearing, pulley, motor Bakgavel m innertr.lagr.remsk.motor							Illustration Illustration 100398/6	Issue Utgåva 9	Month Månad 6	Year År 1995
Item Pos.	Quantity Antal	Art.No Art.nr	Description	Benämning	Info Info	Notes Anmärkning				
			W184,W184MP							
			FL184,FL184MP							
54	1	1	736 2840-51 Hose clamp	Slangklämma	3	Ø50-63 65				
55	1	1	471 2401-52 Nipple	Nippel	1					
56	1		471 2433-14 Hose	Slang	1,2	L=940				
	1		471 5100-00 Hose	Slang	1,2					
57	1		471 2265-69 T-pipe	T-rör	3					
58	1		471 2440-36 Hose	Slang	1	L=90				
59	1		471 2440-37 Hose	Slang	1					
60	1	1	471 8121-03 Hose	Slang	1	84/10251-				
61	2	2	736 2842-01 Clamp	Klämma	3	A12 -91/39057				



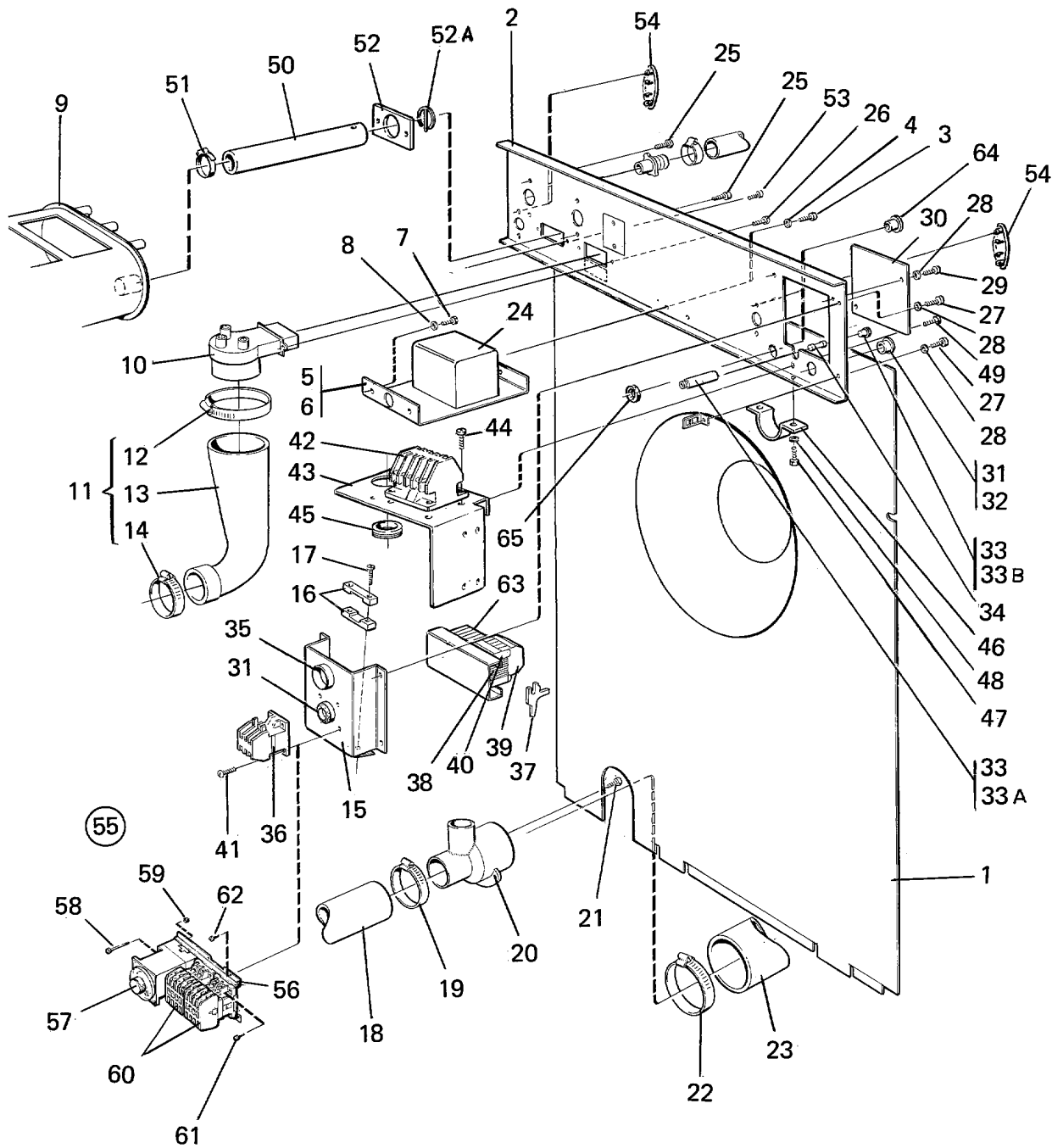
W184,W184MP,FL184,FL184MP

Rear panel with components

Bakstycke med detaljer

Illustration Issue Month Year
Illustration Utgåva Månad År
100304/9 3 5 1991

Item Pos.	Quantity Antal	Art.No Art.nr	Description	Benämning	Info Info	Notes Anmärkning
			W184,W184MP			
			FL184,FL184MP			
1	1	471 2916-01	Rear panel	Bakstycke	1	EL, NON-HEATED
	1	471 2916-02	Rear panel	Bakstycke	1	DS -87/4300
	1	471 2916-04	Rear panel	Bakstycke	1	DS 82/4301-
	1	471 2916-05	Rear panel	Bakstycke	1	GAS/EL
2	1	471 4514-03	Brace bracket	Stagplåt	3	
	1	471 4514-07	Brace bracket	Stagplåt	3	NORWEGAIN
	1	471 4514-12	Brace bracket	Stagplåt	3	Gas
3	2	729 5414-01	Screw	Skruv	3	RXS B10X19
4	2	735 2146-01	Washer	Bricka	3	M5 5,3
5	1	471 2433-01	Brace	Stag	3	
6	3	471 2413-21	Washer	Mellanlägg	3	
7	2	725 2366-61	Screw	Skruv	3	M6SF 6X12
8	2	735 2153-01	Lock washer	Låsbricka	3	6,4
9			Connection	Anslutning		See illustr. 100283, 100290
10	1	471 4516-01	Air inlet	Luftintag	3	-91/7702
	1	471 4516-03	Air inlet	Luftintag	3	91/7703-
11						Not used
12	1	736 2849-51	Hose clamp	Slangklämma		Ø77-93
13	1	471 4437-01	Hose	Slang		
14	1	736 2849-51	Hose clamp	Slangklämma		Ø77-93
15	1	471 4529-02	Cover	Kåpa	3	
16	2	471 9006-61	Cable clamp	Avlastningsklämma	3	
17	2	724 1303-01	Screw	Skruv	3	M4X40
18	1	471 2907-01	Hose	Slang	1,2	
19	2	736 2840-51	Hose clamp	Slangklämma	3	Ø50-63 65
20	1	471 4521-01	Connection	Stos	1	
21	2	471 8317-01	Screw	Skruv	3	
22	1	736 2849-51	Hose clamp	Slangklämma	3	Ø77-93 95
23	1	471 4835-01	Drain hose	Avlopps slang	1	Ø75
24	1	471 9550-10	Transformer	Transformator	1,2	
	1	471 9550-13	Transformer	Transformator	1,2	200/220V
25	RQ	RQ 724 1285-01	Screw	Skruv	3	M4X6
26	2	471 8317-01	Screw	Skruv	3	
27	4	725 2289-61	Screw	Skruv	3	M4X10
28	6	735 2436-01	Lock washer	Låsbricka	3	4,3
29	2	729 9342-61	Screw	Skruv	3	4,2X13
30	1	471 2410-22	Cover	Lock	3	
31	1	762 1182-10	Grommet	Genomföring	3	Ø22,2MM
32	1	471 8708-01	Plug	Plugg	3	Ø37MM
33	1	762 8801-22	Fuse holder	Säkringshållare	1,2	
33A	1	762 8801-21	Fuse holder	Säkringshållare	1,2	Japan
33B	1	762 8802-21	Fuse holder	Säkringshållare	1,2	6,3X32MM Japan
34	1	471 8750-11	Fuse	Säkring	1,2	1,25A
	1	471 9027-85	Fuse	Säkring	1,2	60Hz Japan
35	1	762 1209-10	Grommet	Genomföring	3	
36	1	767 5152-00	Contacto	Kontaktor	1,2	50Hz
	1	767 5151-00	Contacto 60Hz	Kontaktor,60Hz	1,2	208-230V 60Hz
	1	472 9902-77	Contacto	Kontaktor	1,2	60Hz
	1	472 9902-78	Contacto	Kontaktor	1,2	50Hz
	1	471 9605-02	Contacto	Kontaktor	1,2	115V 60Hz
37	1	762 7105-80	Ground connection	Jordningsplint	1	
38						Not used
39	1	762 7111-10	Terminal connection	Kopplingsplint	1	3 Phase
	1	762 7113-10	Terminal connection	Kopplingsplint	1	0,5-6MM ² ,4-POLE
	1	762 7111-10	Terminal connection	Kopplingsplint	1	3 Phase
	1	762 7113-10	Terminal connection	Kopplingsplint	1	0,5-6MM ² ,4-POLE



W184,W184MP,FL184,FL184MP

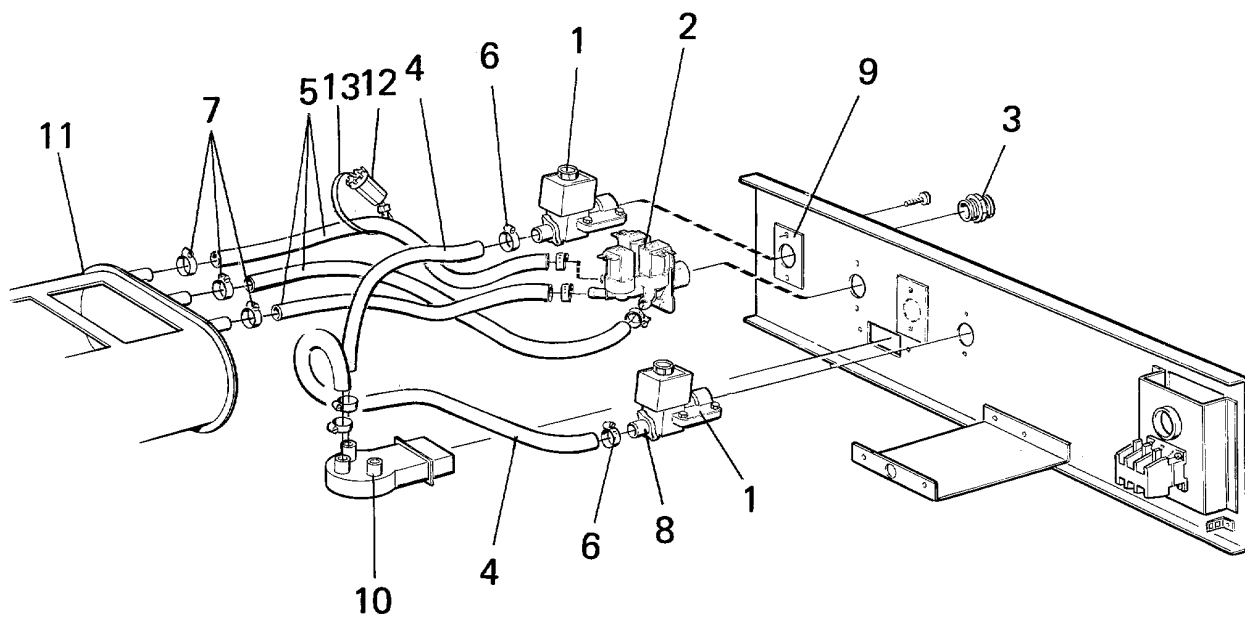
Rear panel with components

Bakstycke med detaljer

Illustration Issue Month Year
Illustration Utgåva Månad År
100304/9 3 5 1991

Item Pos.	Quantity Antal	Art.No Art.nr	Description	Benämning	Info Info	Notes Anmärkning
			W184,W184MP			
			FL184,FL184MP			
	1	1	762 7114-10	Terminal connection	Kopplingsplint	1 0,5-6MM ² ,2-pole
	1	1	762 7117-10	Terminal connection	Kopplingsplint	1 380V 2,5-10MM ² ,3-POLE
	1	1	762 7119-10	Terminal connection	Kopplingsplint	1 3NAC 2,5-10MM ² ,4-POLE
40	1	1	762 7146-90	End support	Ändstöd	3
41	2	2	724 1293-01	Screw	Skruv	3 M4X16
42						Not used
43						Not used
44						Not used
45						Not used
46						Not used
47						Not used
48						Not used
49						Not used
50	1	1	438 0145-07	Hose	Slang	3
51	1	1	736 2825-51	Hose clamp	Slangklämma	3 Ø32
52	1	1	472 9317-02	Cover washer	Täckbricka	3
52A	1	1	438 0127-01	Lock	Lås	3
53	2	2	729 5342-01	Screw	Skruv	3
54						Not used
55						Not used
56						Not used
57						Not used
58						Not used
59						Not used
60						Not used
61						Not used
62						Not used

471 29 35-01
471 29 35-02
471 29 35-12
471 29 35-18
471 29 35-19
471 29 35-31
471 29 35-33
471 29 35-34
471 29 35-35



W184

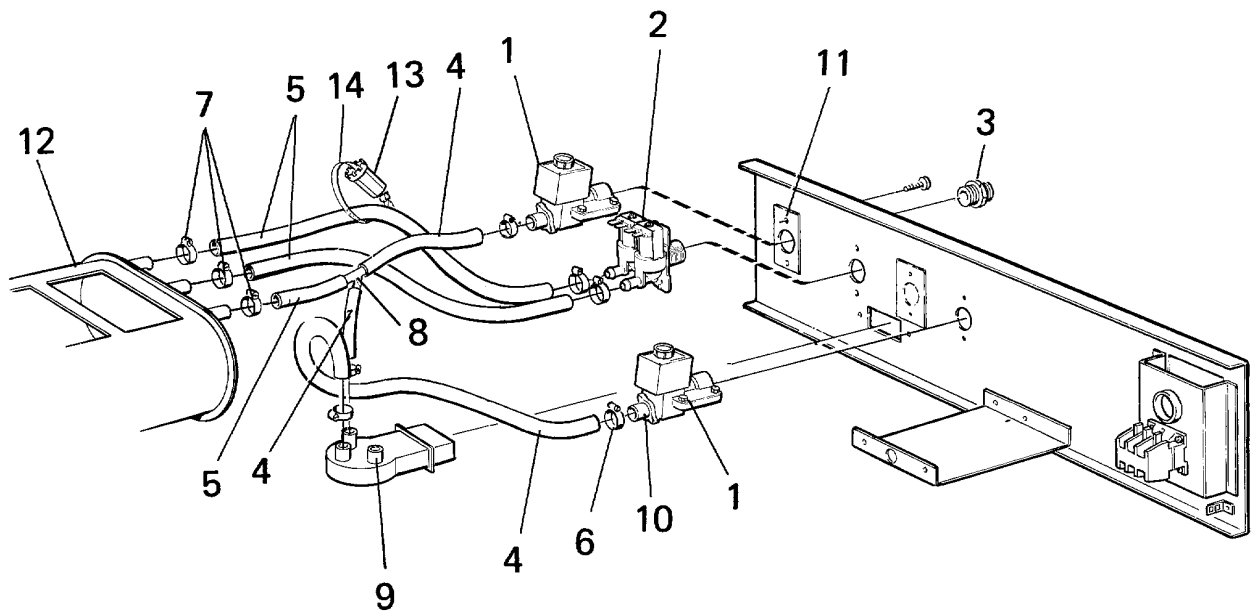
P1, connection cold water

P1,anslutning k.v

Illustration Issue Month Year
Illustration Utgåva Månad År
100283/5 3 10 1995

Item Pos.	Qua. Ant.	Art.No Art.nr	Description	Benämning	Info Info	Notes Anmärkning
1	2	471 8210-02	Valve	Ventil	1,2	1/2" 220-240V 50Hz See group 8116
	2	471 8210-63	Valve	Ventil	1,2	60Hz See group 8116
2	1	471 8236-02	Valve	Ventil	1,2	208-240V 50Hz 3-way See group 8113
	1	471 8236-08	Valve	Ventil	1,2	60Hz 3-way See group 8113
3	2	471 8622-01	Nipple	Nippel	3	1/2"-3/4" 50Hz
4	RQ	877 5252-01	Hose	Slang	1	PER 1M
5	RQ	877 5211-08	Hose	Slang	1	Per 1 m PER 1M
6	4	736 2825-51	Hose clamp	Slangklämma	3	Ø32
7	6	736 2816-51	Hose clamp	Slangklämma	3	Ø13-19
8	2	471 8623-01	Connection	Koppling	3	1/2"
9	2	471 2937-01	Bracket	Vridskydd	3	
10	1	471 8175-01	Plug	Plugg	3	
11	1	472 6001-51	Detergent container	Tvättmedelsbehållare	1,2	See group 8802
12	1	471 4792-01	Tool	Verktyg	1,2	
13	1	762 9105-05	Cable strap	Kabelband	3	

471 29 35-05
471 29 35-06
471 29 35-36



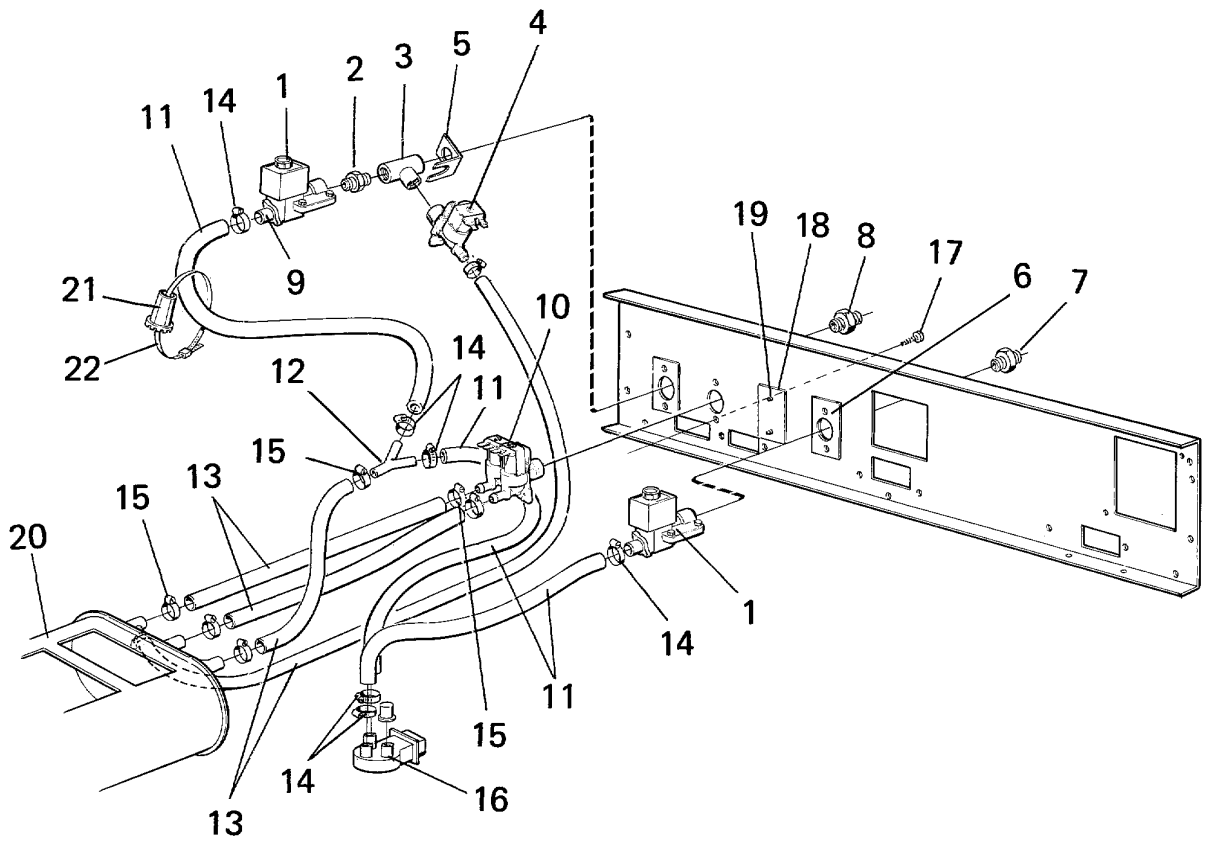
W184

P2, P5, connection cold and hot water

P2,P5,anslutning kallt och varmt vatten

Illustration	Issue	Month	Year
Illustration	Utgåva	Månad	År
100284	3	10	1995

Item Pos.	Qua. Ant.	Art.No Art.nr	Description	Benämning	Info Info	Notes Anmärkning
1	2	471 8210-02	Valve	Ventil	1,2	1/2" 220-240V 50Hz See group 8116
	2	471 8210-63	Valve	Ventil	1,2	60Hz See group 8116
2	1	471 8235-02	Valve	Ventil	1,2	208-240V 50Hz 2-way See group 8111
	1	471 8235-02	Valve	Ventil	1,2	208-240V 50Hz 2-way See group 8111
3	2	471 8622-01	Nipple	Nippel	3	1/2"-3/4" 50Hz
4	RQ	877 5252-01	Hose	Slang	1	PER 1M
5	RQ	877 5211-08	Hose	Slang	1	Per 1 m PER 1M
6	4	736 2825-51	Hose clamp	Slangklämma	3	Ø32
7	6	736 2816-51	Hose clamp	Slangklämma	3	Ø13-19
8	1	471 2461-21	T-pipe	T-rör	3	
9	1	471 8175-01	Plug	Plugg	3	
10	2	471 8623-01	Connection	Koppling	3	1/2"
11	2	471 2937-01	Bracket	Vridskydd	3	
12	1	472 6001-51	Detergent container	Tvättmedelsbehållare	1,2	See group 8802
13	1	471 4792-01	Tool	Verktyg	1,2	
14	1	762 9105-05	Cable strap	Kabelband	3	



W184 -82/5050

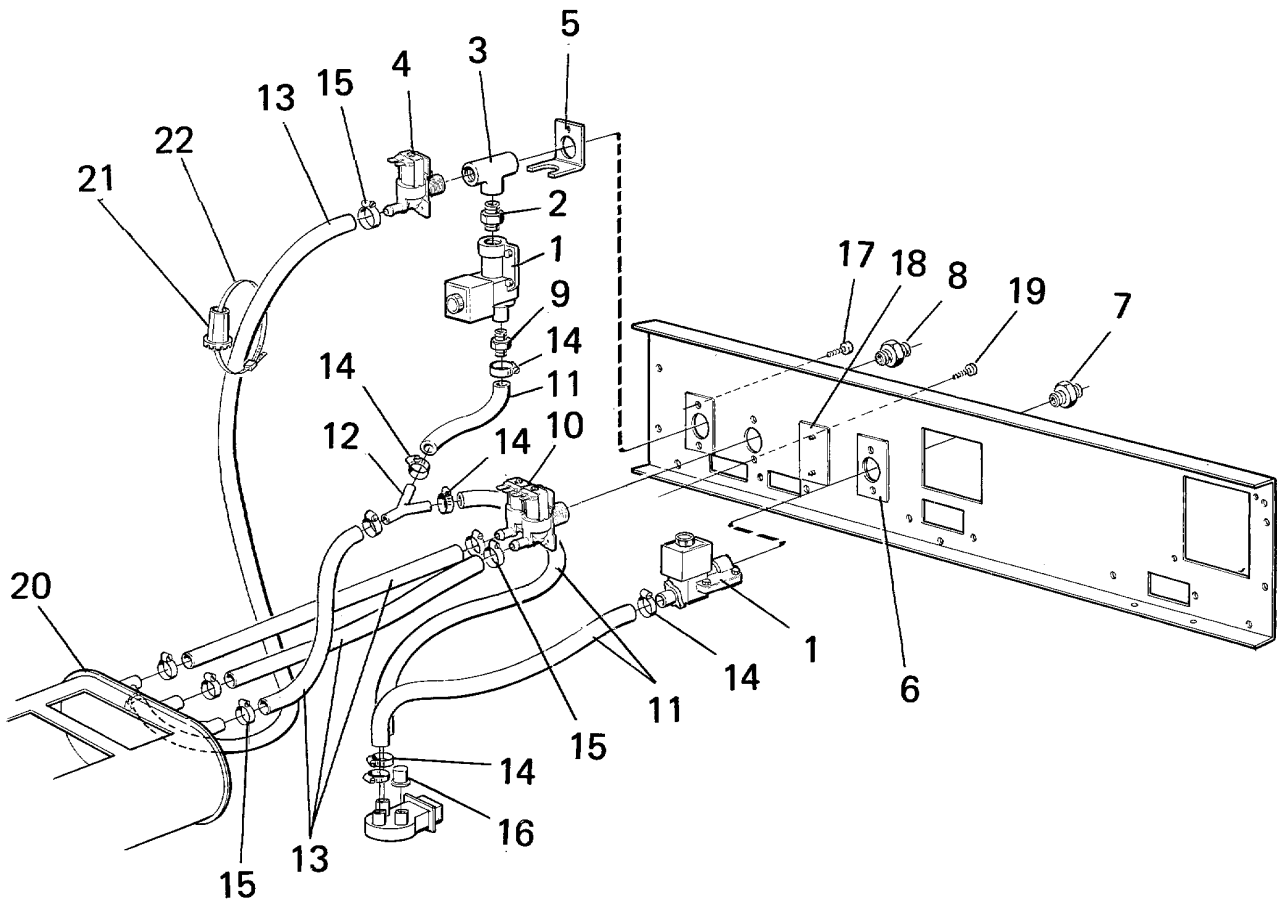
P3, connection cold water

P3,anslutning k.v

Illustration Issue Month Year
Illustration Utgåva Månad År
100289 4 10 1995

Item Pos.	Qua. Ant.	Art.No Art.nr	Description	Benämning	Info Info	Notes Anmärkning
1	2	471 8210-02	Valve	Ventil	1,2	1/2" 220-240V 50Hz See group 8116
	2	471 8210-63	Valve	Ventil	1,2	60Hz USA See group 8116
2	1	724 8622-01	Nipple	Nippel	3	1/2"-3/4" 50Hz
3	1	724 5115-20	T-pipe	T-rör	3	
4	1	471 8234-02	Valve	Ventil	1,2	50Hz 1-way See group 8110
	1	471 8234-05	Valve	Ventil	1,2	60Hz 1-way See group 8110
5	1	471 2938-01	Cover	Skydd	3	
6	1	471 2937-01	Bracket	Vridskydd	3	
7	1	471 8622-01	Nipple	Nippel	3	1/2"-3/4" 50Hz
	1	471 8622-02	Nipple	Nippel	3	1/2"-3/4" 60Hz
8	1	741 3115-22	Nipple	Nippel	3	R 3/4"
	1	471 2094-92	Nipple	Nippel	3	60Hz
9	2	471 8623-01	Connection	Koppling	3	1/2"
10	1	471 8235-02	Valve	Ventil	1,2	208-240V 50Hz 2-way See group 8111
	1	471 8235-02	Valve	Ventil	1,2	208-240V 50Hz 2-way See group 8111
11	RQ	877 5252-01	Hose	Slang	1	PER 1 M
12	1	471 2461-21	T-pipe	T-rör	3	
13	RQ	877 5211-08	Hose	Slang	1	Per 1 m PER 1 M
14	6	736 2825-51	Hose clamp	Slangklämma	3	Ø32
15	8	736 2816-51	Hose clamp	Slangklämma	3	Ø13-19
16	1	471 8175-01	Plug	Plugg	3	
17	4	724 1285-01	Screw	Skruv	3	M4X6
18	1	471 2437-72	Cover plate	Täckplåt	3	RXS 4,2X13
19	2	729 5342-01	Screw	Skruv	3	
20	1	472 6001-52	Detergent container	Tvättmedelsbehållare	1,2	See group 8802 -91/38831
	1	472 6001-59	Detergent container	Tvättmedelsbehållare	1,2	1F-2H 91/37372-
21	1	471 4792-01	Tool	Verktyg	1,2	
22	1	762 9105-05	Cable strap	Kabelband	3	

471 29 35-15
471 29 35-16
471 29 35-38



W184 82/5051-

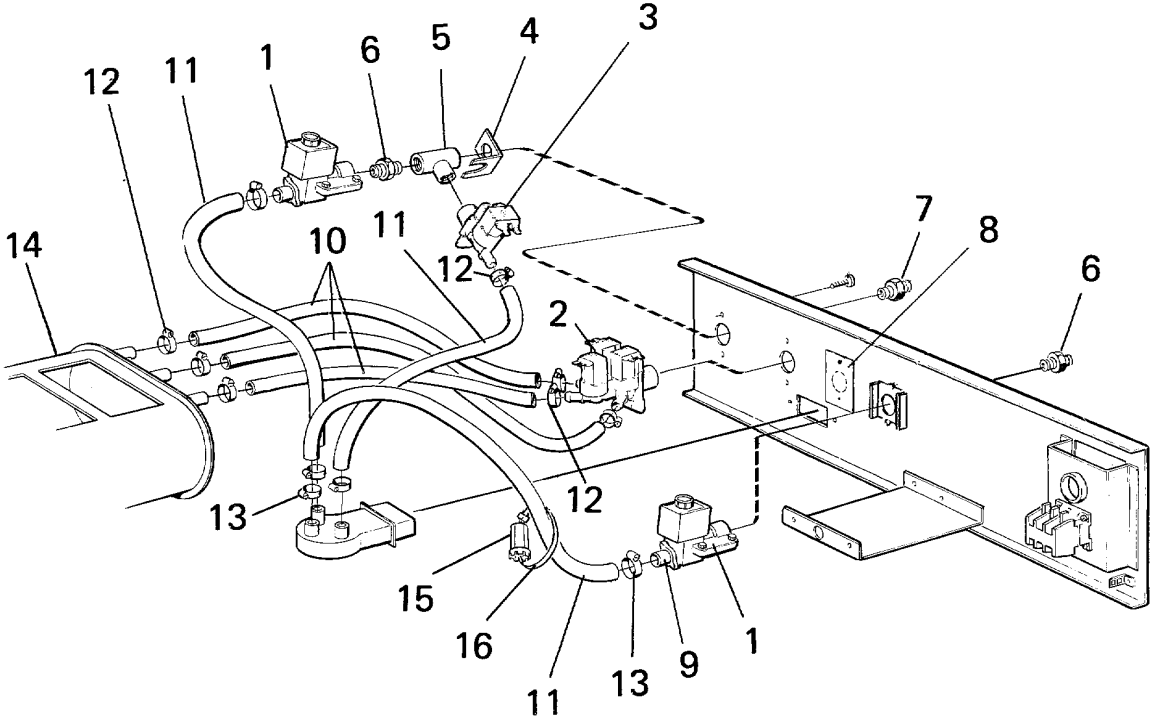
P3, connection cold water

P3,anslutning k.v

Illustration Issue Month Year
Illustration Utgåva Månad År
100285 5 10 1995

Item Pos.	Qua. Ant.	Art.No Art.nr	Description	Benämning	Info Info	Notes Anmärkning
1	2	471 8210-02	Valve	Ventil	1,2	1/2" 220-240V 50Hz See group 8116
	1	471 8210-63	Valve	Ventil	1,2	60Hz See group 8116
2	1	471 8622-01	Nipple	Nippel	3	1/2"-3/4" 50Hz
3	1	742 5115-20	T-pipe	T-rör	3	
4	1	471 8234-02	Valve	Ventil	1,2	50Hz 1-way See group 8110
	1	471 8234-05	Valve	Ventil	1,2	60Hz 1-way See group 8110
5	1	471 2938-01	Cover	Skydd	3	
6	1	471 2937-01	Bracket	Vridskydd	3	
7	1	471 8622-01	Nipple	Nippel	3	1/2"-3/4" 50Hz
8	1	471 8622-05	Nipple	Nippel	3	3/4"
9	2	471 8623-01	Connection	Koppling	3	1/2"
10	1	471 8235-02	Valve	Ventil	1,2	208-240V 50Hz 2-way See group 8111
	1	471 8235-02	Valve	Ventil	1,2	208-240V 50Hz 2-way See group 8111
11	RQ	877 5211-08	Hose	Slang	1	Per 1 m PER 1 M
12	1	471 2461-21	T-pipe	T-rör	3	
13	RQ	877 5252-01	Hose	Slang	1	PER 1 M
14	6	736 2825-51	Hose clamp	Slangklämma	3	Ø32
15	8	736 2816-51	Hose clamp	Slangklämma	3	Ø13-19
16	1	471 8175-01	Plug	Plugg	3	
17	4	724 1285-01	Screw	Skruv	3	M4X6
18	1	471 2437-72	Cover plate	Täckplåt	3	RXS 4,2X13
19	2	729 5342-01	Screw	Skruv	3	
20	1	472 6001-52	Detergent container	Tvättmedelsbehållare	1,2	See group 8802 -91/37731
	1	472 6001-59	Detergent container	Tvättmedelsbehållare	1,2	1F-2H 91/37732-
21	1	471 4792-01	Tool	Verktyg	1,2	
22	1	762 9105-05	Cable strap	Kabelband	3	

471 29 35-09
471 29 35-10
471 29 35-13
471 29 35-22
471 29 35-23
471 29 35-25



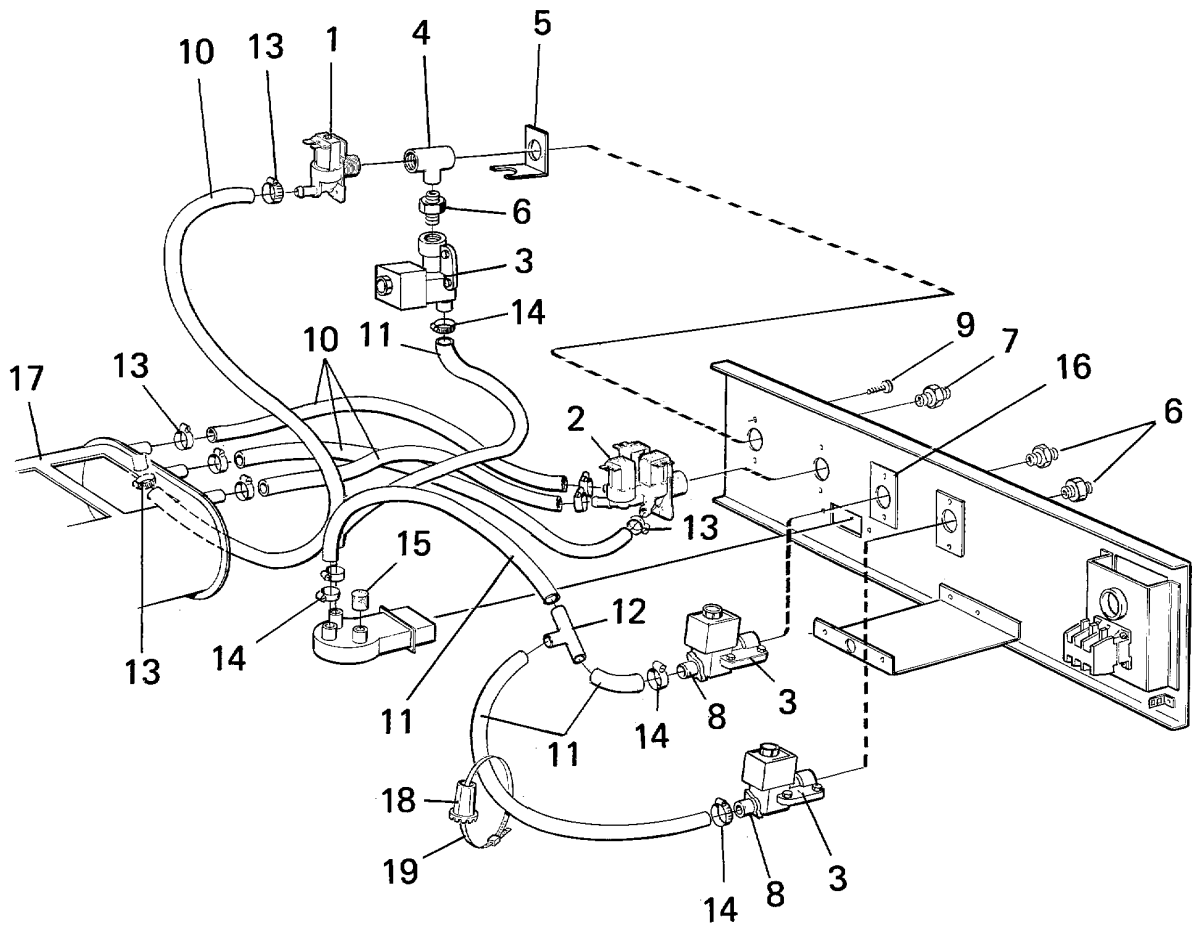
FL184,FL184MP 82/5051-

FL184-machines with heating

FL184-maskiner med uppvärmning

Illustration	Issue	Month	Year
Illustration	Utgåva	Månad	År
100287	3	10	1995

Item Pos.	Qua. Ant.	Art.No Art.nr	Description	Benämning	Info Info	Notes Anmärkning
1	2	471 8210-02	Valve	Ventil	1,2	1/2" 220-240V 50Hz See group 8116
	2	471 8210-63	Valve	Ventil	1,2	60Hz See group 8116
2	1	471 8236-02	Valve	Ventil	1,2	208-240V 50Hz 3-way See group 8113
	2	471 8236-08	Valve	Ventil	1,2	60Hz 3-way See group 8113
3	1	471 8234-01	Valve	Ventil	1,2	208-240V 50Hz 1-way See group 8110
	1	471 8234-04	Valve	Ventil	1,2	208-240V 60Hz 1-way See group 8110
4	1	471 2938-01	Cover	Skydd	3	
5	1	742 5115-20	T-pipe	T-rör	3	
6	2	471 8622-01	Nipple	Nippel	3	1/2"-3/4" 50Hz
7	1	741 3115-21	Nipple	Nippel	3	50Hz
8	1	471 2937-01	Bracket	Vridskydd	3	
9	2	471 8623-01	Connection	Koppling	3	1/2"
10	RQ	877 5211-08	Hose	Slang	1	Per 1 m PER 1 M
11	RQ	877 5252-01	Hose	Slang	1	PER 1 M
12	7	736 2816-51	Hose clamp	Slangklämma	3	Ø13-19
13	4	736 2825-51	Hose clamp	Slangklämma	3	Ø32
14	1	472 6001-51	Detergent container	Tvättmedelsbehållare	1,2	See group 8802
15	1	471 4792-01	Tool	Verktyg	1,2	
16	1	762 9105-05	Cable strap	Kabelband	3	



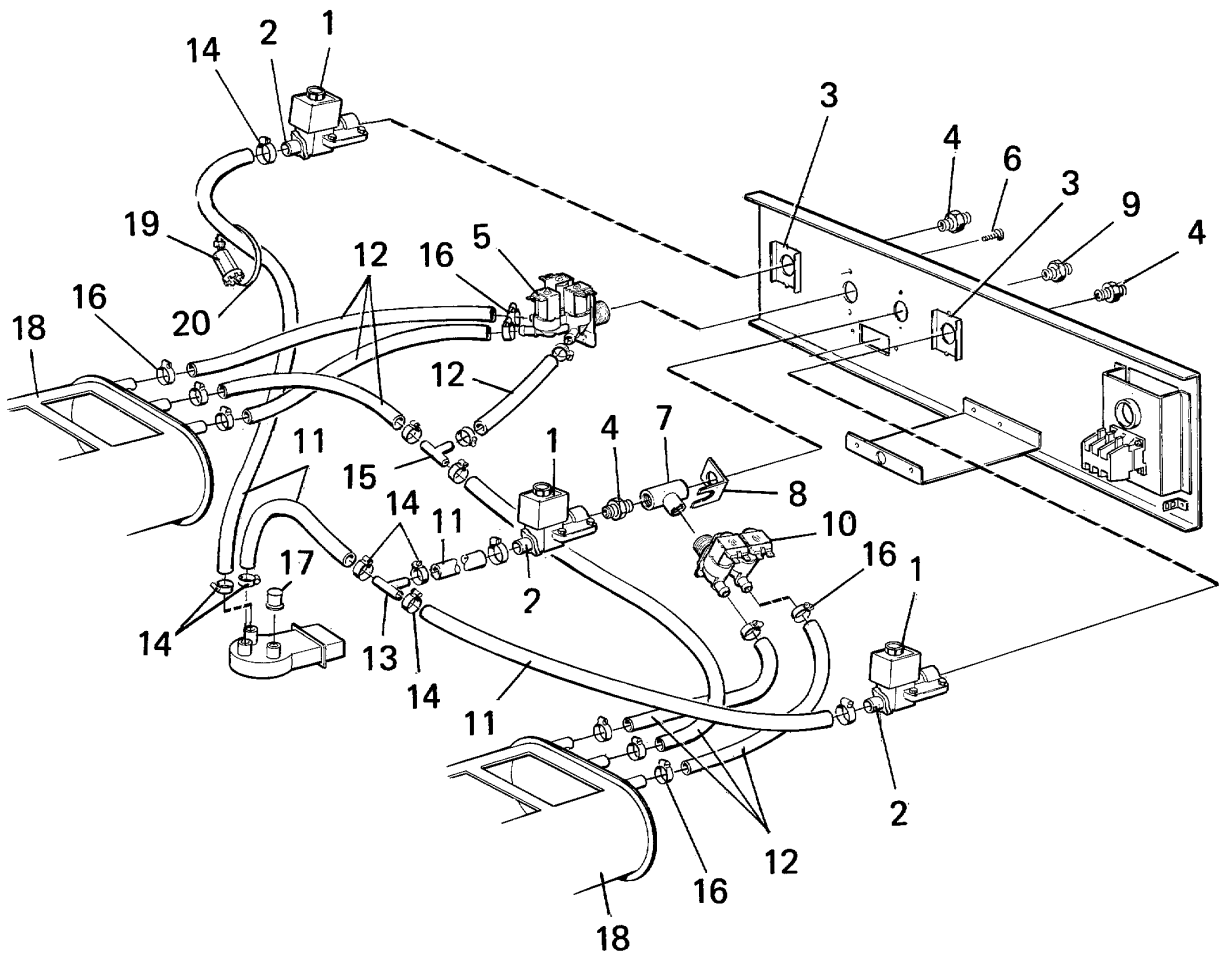
FL184,FL184MP

FL184-machines with inlet for cold hard water

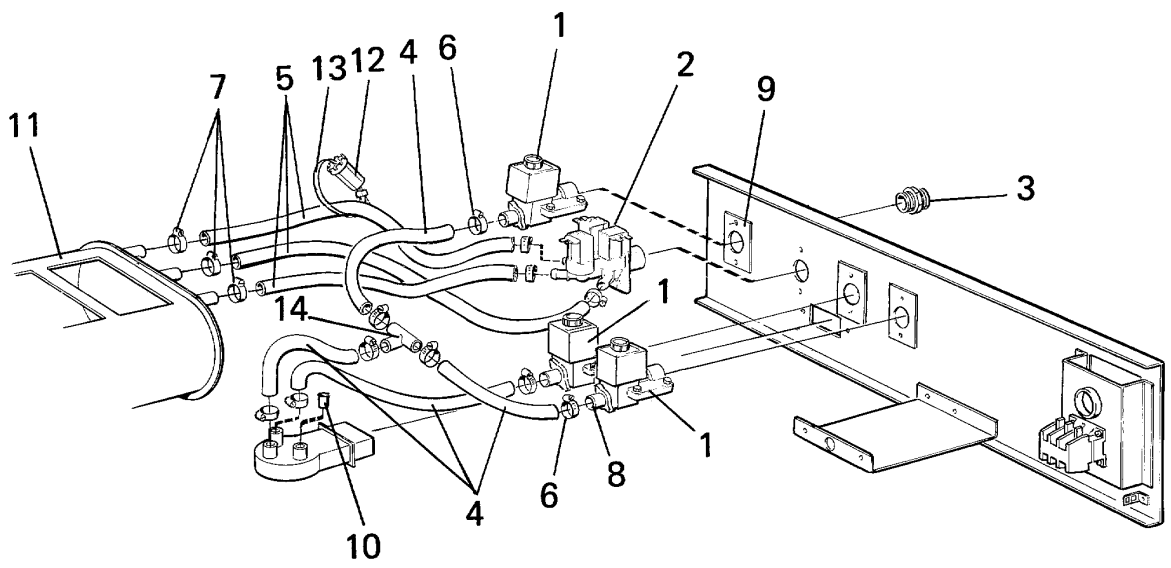
FL184-maskiner med k.v.h

Illustration Issue Month Year
Illustration Utgåva Månad År
100288 2 4 1995

Item Pos.	Qua. Ant.	Art.No Art.nr	Description	Benämning	Info Info	Notes Anmärkning
1	1	471 8234-01	Valve	Ventil	1,2	208-240V 50Hz 1-way See group 8110
2	1	471 8236-02	Valve	Ventil	1,2	208-240V 50Hz 3-way See group 8113
3	3	471 8210-02	Valve	Ventil	1,2	1/2" 220-240V 50Hz See group 8116
4	1	742 5115-20	T-pipe	T-rör	3	
5	1	471 2938-01	Cover	Skydd	3	
6	3	471 8622-01	Nipple	Nippel	3	1/2"-3/4" 50Hz
7	1	741 3115-21	Nipple	Nippel	3	50Hz
8	3	471 8623-01	Connection	Koppling	3	1/2"
9	4	742 1285-01	Screw	Skruv	3	M4X6
10	RQ	877 5211-08	Hose	Slang	1	Per 1 m PER 1 M
11	RQ	877 5252-01	Hose	Slang	1	PER 1 M
12	1	471 9010-77	T-pipe	T-rör	3	
13	8	736 2816-51	Hose clamp	Slangklämma	3	Ø13-19
14	8	736 2825-51	Hose clamp	Slangklämma	3	Ø32
15	1	471 8175-01	Plug	Plugg	3	
16	2	471 2937-01	Bracket	Vridskydd	3	
17	1	472 6001-52	Detergent container	Tvättmedelsbehållare	1,2	See group 8802
18	1	471 4792-01	Tool	Verktyg	1,2	
19	1	762 9105-05	Cable strap	Kabelband	3	



W184MP					Illustration	Issue	Month	Year
Cold, hot and hard water					Illustration	Utgåva	Månad	År
Kallt, varmt och hårt vatten					100794	1	12	1989
Item Pos.	Qua. Ant.	Art.No Art.nr	Description	Benämning	Info Info	Notes Anmärkning		
1	3	471 8210-02	Valve	Ventil	1,2	1/2" 220-240V 50Hz See group 8116		
2	3	471 8623-01	Connection	Koppling	3	1/2"		
3	2	471 2937-01	Bracket	Vridskydd	3			
4	3	471 8622-01	Nipple	Nippel	3	1/2"-3/4" 50Hz		
5	1	471 8236-02	Valve	Ventil	1,2	208-240V 50Hz 3-way See group 8113		
6	4	724 1285-01	Screw	Skruv	3	M4X6		
7	1	742 5115-20	T-pipe	T-rör	3			
8	1	471 2938-01	Cover	Skydd	3			
9	1	741 3115-22	Nipple	Nippel	3	R 3/4"		
10	1	471 8235-01	Valve	Ventil	1,2	See group 8111		
11	RQ	877 5252-01	Hose	Slang	1	PER 1 M		
12	RQ	877 5211-08	Hose	Slang	1	Per 1 m PER 1 M		
13	1	471 9010-77	T-pipe	T-rör	3			
14	8	736 2825-51	Hose clamp	Slangklämma	3	Ø32		
15	1	471 8628-01	T-pipe	T-rör	3			
16	14	736 2816-51	Hose clamp	Slangklämma	3	Ø13-19		
17	1	471 8175-01	Plug	Plugg	3			
18	2	472 6001-57	Detergent container	Tvättmedelsbehållare	1,2	See group 8802		
19	1	471 4792-01	Tool	Verktyg	1,2			
20	1	762 9105-05	Cable strap	Kabelband	3			



Issue	Month	Year
01	04	90

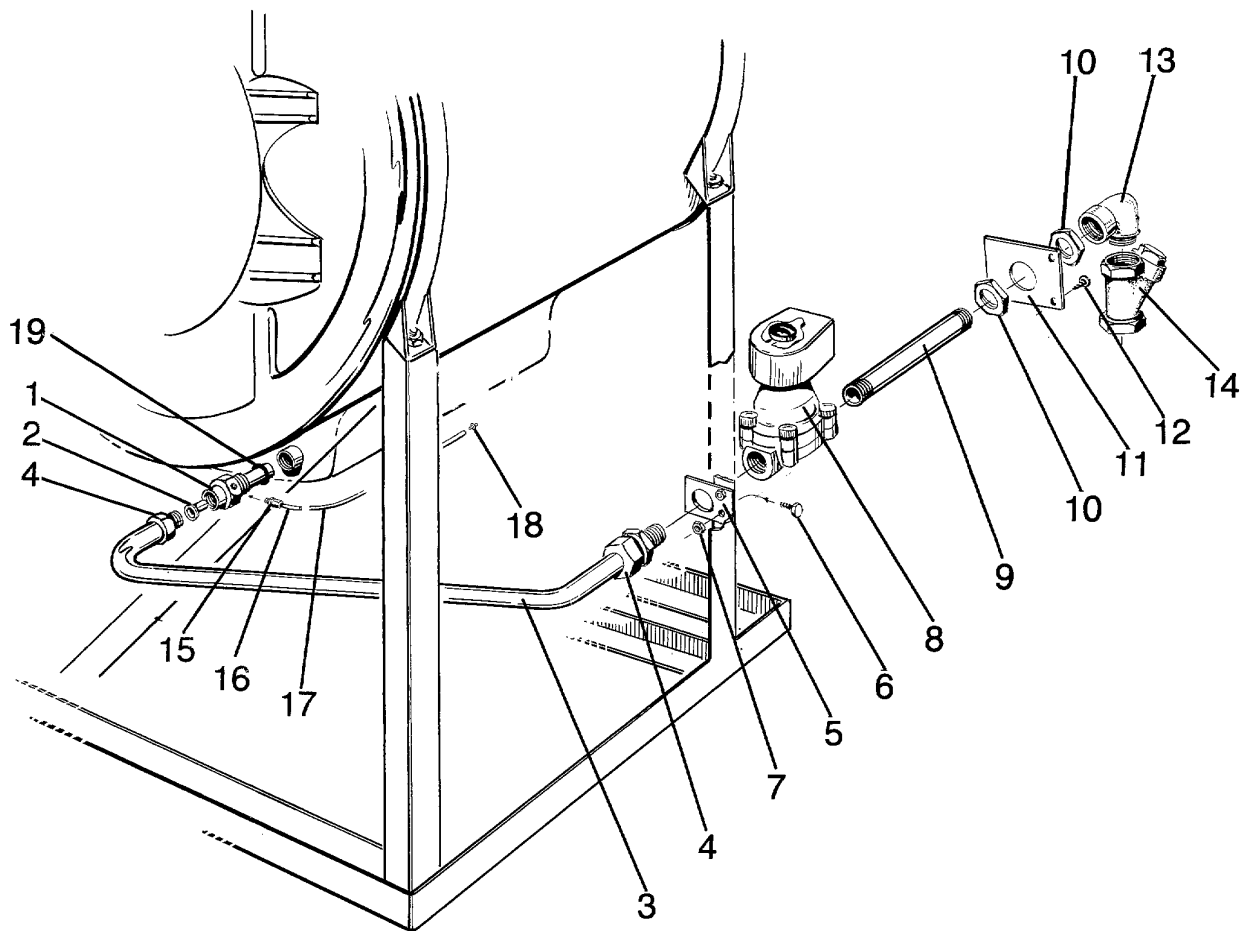
W184

P1, connection cold hard water

P1,anslutning k.v.h

Illustration Issue Month Year
Illustration Utgåva Månad År
100814 1 4 1990

Item Pos.	Qua. Ant.	Art.No Art.nr	Description	Benämning	Info Info	Notes Anmärkning
1	3	471 8210-02	Valve	Ventil	1,2	1/2" 220-240V 50Hz See group 8116
2	1	471 8236-02	Valve	Ventil	1,2	208-240V 50Hz 3-way See group 8113
3	3	471 8622-01	Nipple	Nippel	3	1/2"-3/4" 50Hz
4	RQ	877 5252-01	Hose	Slang	1	PER 1 M
5	RQ	877 5211-08	Hose	Slang	1	Per 1 m PER 1 M
6	8	736 2825-51	Hose clamp	Slangklämma	3	Ø32
7	6	736 2816-51	Hose clamp	Slangklämma	3	Ø13-19
8	3	471 8623-01	Connection	Koppling	3	1/2"
9	3	471 2937-01	Bracket	Vridskydd	3	
10	1	471 8175-01	Plug	Plugg	3	
11	1	472 6001-51	Detergent container	Tvättmedelsbehållare	1,2	See group 8802
12	1	471 4792-01	Tool	Verktyg	1,2	
13	1	762 9105-05	Cable strap	Kabelband	3	
14	1	471 9010-77	T-pipe	T-rör	3	



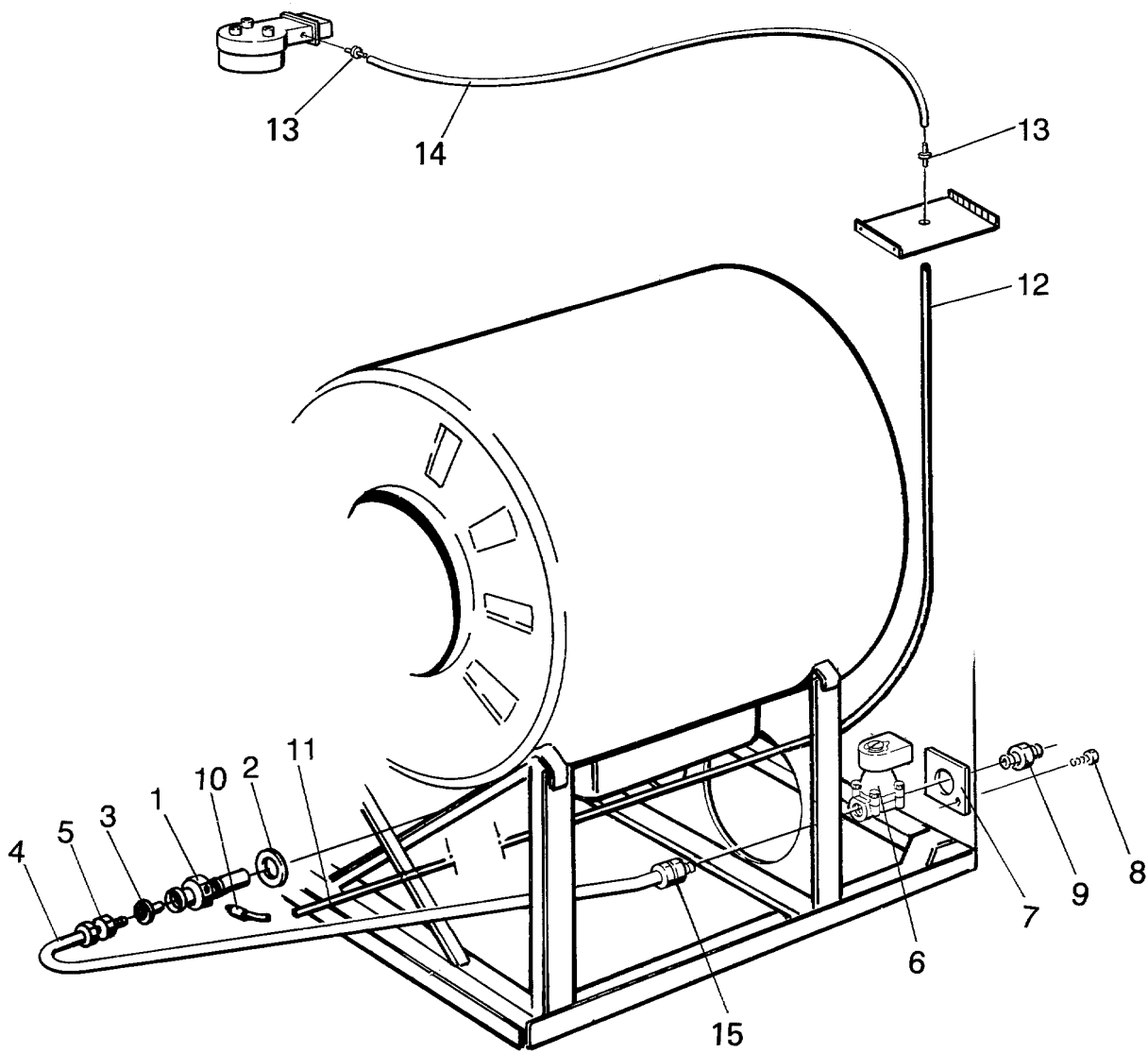
W184 -82/4300,W184MP -82/4300,FL184 -82/4300,FL184MP -82/4300

Steam components

Illustration Issue Month Year
Illustration Utgåva Månad År
100399/5 2 1 1992

Ångdetaljer

Item Pos.	Quantity Antal	Art.No Art.nr	Description	Benämning	Info Info	Notes Anmärkning
			W184,W184MP,FL184MP			
			FL184			
1	1	471 2430-25	Steam injector	Ånginjektor	1	
2	1	471 2430-26	Nozzle	Munstycke	1	5-6KP/CM ²
	1	471 2430-27	Nozzle	Munstycke	1	6-10KP/CM ²
3	1	471 2434-68	Pipe	Rör	3	
4	2	471 6010-11	Connection	Koppling	3	
5	1	471 2434-70	Bracket	Fäste	3	
6	2	725 2368-51	Screw	Skruv	3	M6X16
7	2	471 9015-68	Nut	Mutter	3	M6
8	1	471 8202-00	Valve	Ventil	1,2	1/2" 50Hz
	1	471 8202-01	Valve	Ventil	1,2	1/2" 60Hz
9	1	471 2334-73	Pipe	Rör	3	
10	2	471 9007-11	Nut	Mutter	3	
11	1	471 2434-69	Bracket	Fäste	3	
12	2	729 9342-61	Screw	Skruv	3	4,2X13
13	1	471 9030-34	Angle	Vinkel	3	
14	1	471 9004-96	Filter	Filter	1	
15	1	471 9201-84	Connection	Koppling	3	
16	1	471 2448-41	Pipe	Rör	3	
17	1	471 2433-14	Hose	Slang	1	L=940
18	1	471 2401-52	Nipple	Nippel	3	
19	1	471 9058-98	Gasket	Packning	1	



100400

Issue	Month	Year
02	01	92

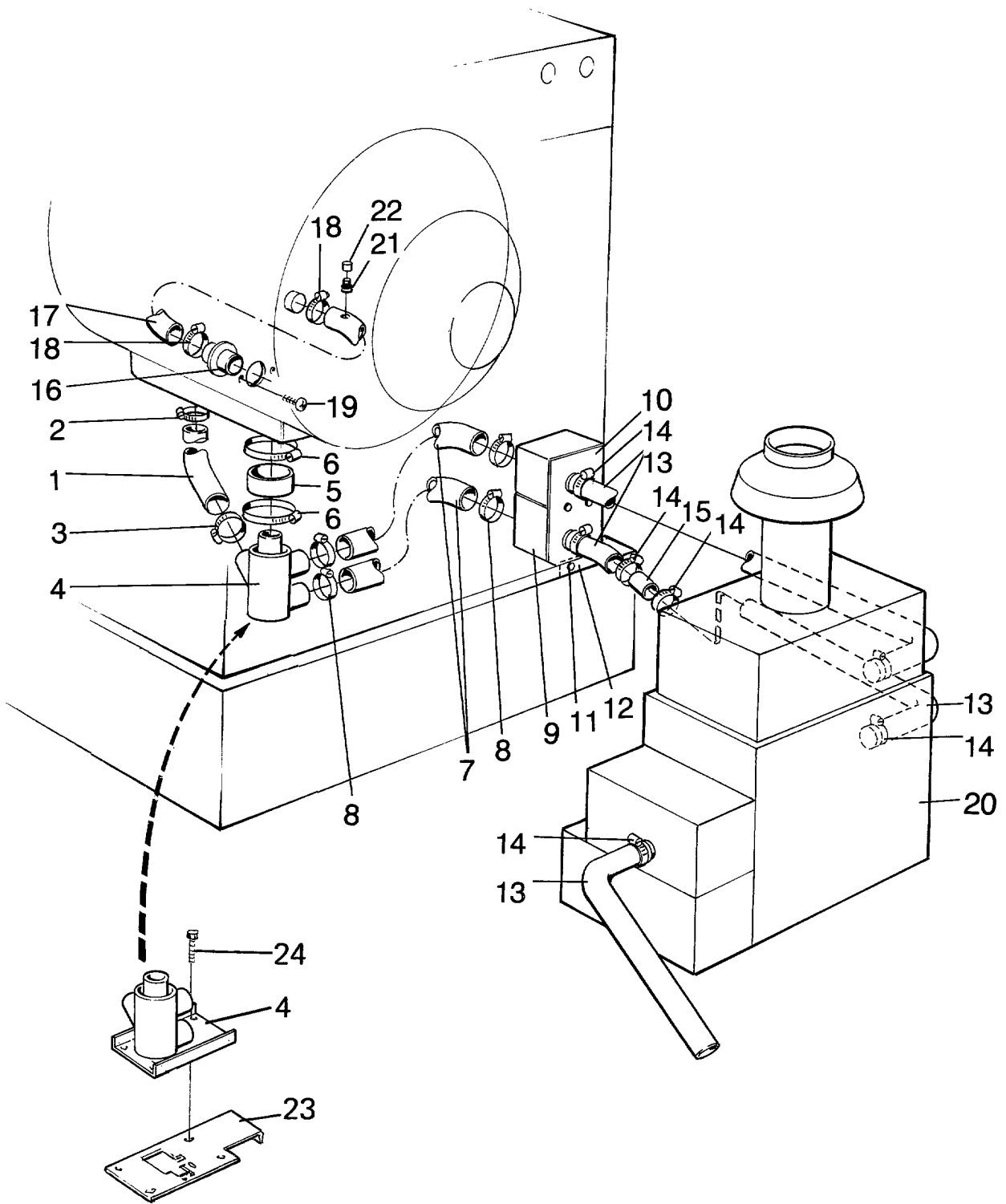
W184 82/4301-,W184MP 82/4301-,FL184 82/4301-,FL184MP 82/4301-

Steam components

Illustration Issue Month Year
Illustration Utgåva Månad År
100400/4 4 8 2001

Ångdetaljer

Item Pos.	Quantity Antal	Art.No Art.nr	Description	Benämning	Info Info	Notes Anmärkning
			W184,W184MP,FL184MP			
			FL184			
1	1	471 4650-04	Steam injector	Ånginjektor	1	
2	1	471 9058-98	Gasket	Packning	3	
3	1	471 4445-01	Nozzle	Munstycke	1,2	Ø3MM
	1	471 4445-02	Nozzle	Munstycke	1,2	Ø5MM
4	1	471 2946-01	Pipe	Rör	3	
5	2	471 8646-26	Connection	Koppling	3	
6	1	471 8279-03	Valve	Ventil	1,2	50/60 Hz
	1	471 8279-08	•Repair kit	•Reparationsats	1,2	
7	1	471 4551-01	Bracket	Fäste	3	
8	4	729 9342-61	Screw	Skruv	3	4,2X13
9	1	471 4550-01	Nipple	Nippel	3	-83/8250
	1	471 4550-02	Nipple	Nippel	3	83/8251-
10	1	471 9212-76	Connection	Koppling	3	
11	1	471 2448-41	Pipe	Rör	3	
12	1	471 2433-14	Hose	Slang	1	L=940
13	2	471 2401-52	Nipple	Nippel	3	
14	1	471 2449-97	Hose	Slang	1	
15	1	741 1113-20	Nut	Mutter	3	



100402

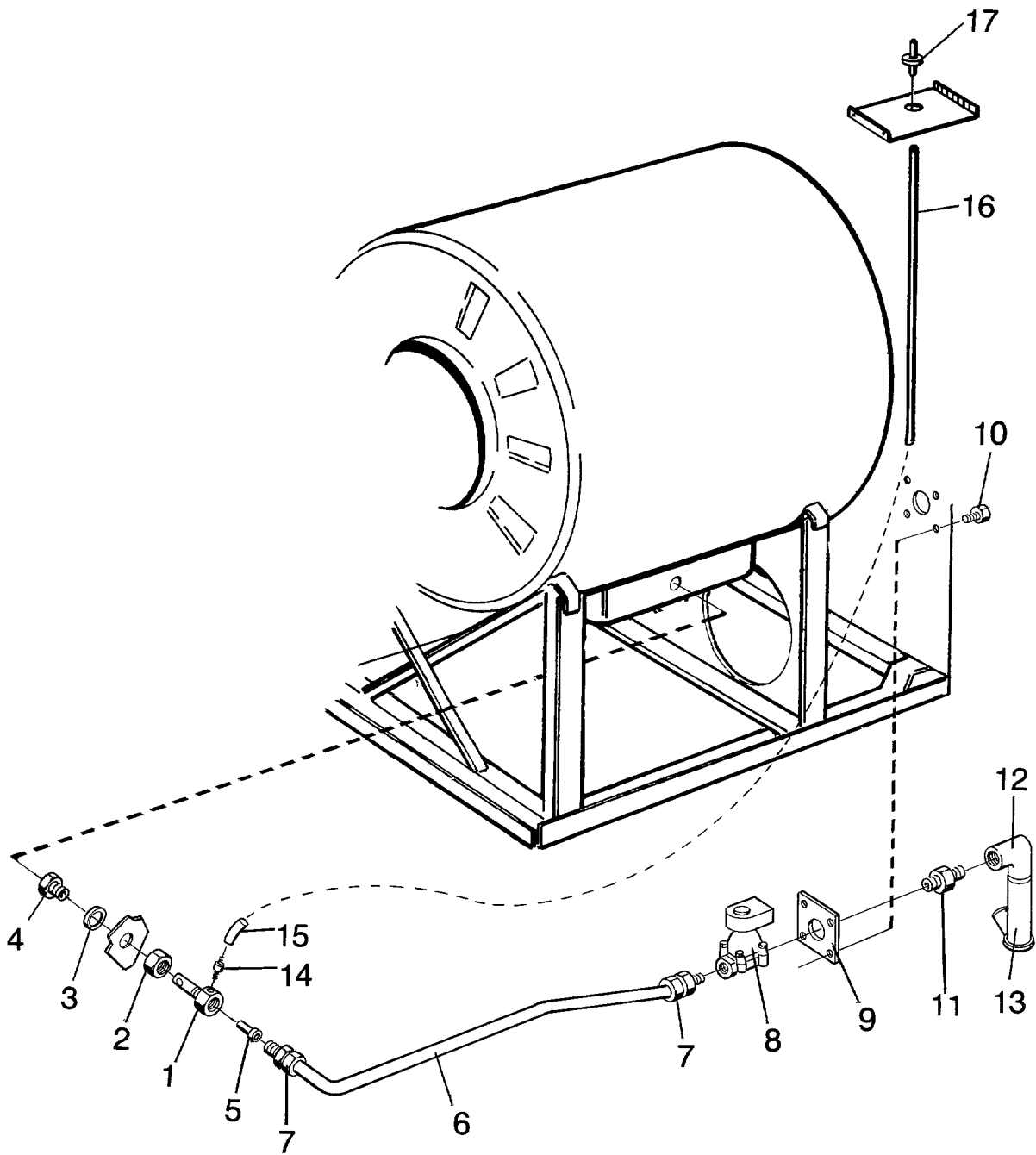
Issue	Month	Year
01	05	88

W184,W184MP,FL184,FL184MP

Gas
Gas

Illustration Issue Month Year
Illustration Utgåva Månad År
100402/1 2 4 1990

Item Pos.	Qua. Ant.	Art.No Art.nr	Description	Benämning	Info Info	Notes Anmärkning
1	1	471 4863-02	Hose	Slang	1	
2	1	736 2840-51	Hose clamp	Slangklämma	3	Ø50-63
3	1	736 2837-51	Hose clamp	Slangklämma	3	Ø48-54
4	1	472 5899-01	Connection	Stos	3	-83/8250
	1	472 5821-03	Connection	Stos	3	83/8251-
5	1	472 5840-01	Hose	Slang	1	
6	2	471 7851-03	Hose clamp	Slangklämma	3	Ø95-115
7	2	471 2459-60	Hose	Slang	1	-83/8250
	2	472 5819-01	Hose	Slang	1	83/8251-
8	4	736 2837-51	Hose clamp	Slangklämma	3	Ø48-54
9	2	471 9219-65	Drain valve	Avloppsventil	1	50/60Hz See group 8102
10	1	472 5923-01			3	
11	4	725 2370-51	Screw	Skruv	3	M6X20
12	2	471 2459-67	Bracket	Fäste	3	
13	4	471 2459-60	Hose	Slang	1	
14	7	736 2837-51	Hose clamp	Slangklämma	3	Ø48-54
15	1	472 5968-01	Pipe	Rör	3	
16	1	471 2440-13	Hose connection	Slanganslutning	3	
17	1	471 2440-01	Hose	Slang	1	
18	2	736 2840-51	Hose clamp	Slangklämma	3	Ø50-63
19	2	729 5342-01	Screw	Skruv	3	
20	1		Gas boiler	Gaspanna		Group 26
21	1	471 2432-25	Hose nipple	Slangnippel	3	
22	1	471 9037-73	Sleeve	Hylsa	3	
23	1	471 2909-01	Bracket	Konsol	3	83/8251-
24	4	725 2327-61	Screw	Skruv	3	M6SF 5X12 83/8251-



W184,W184MP,FL184,FL184MP

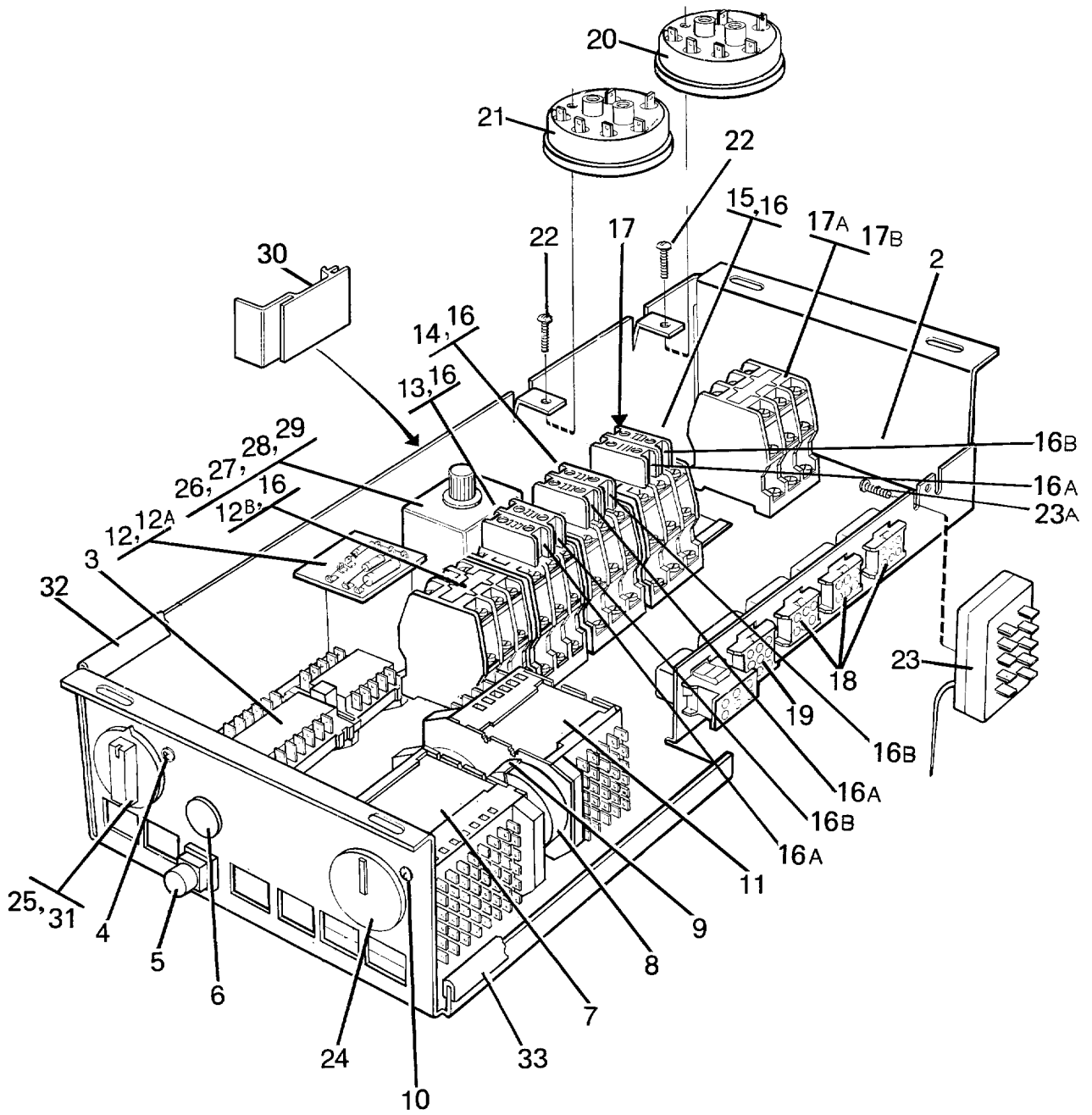
Conversion electric to steam

Ombyggnad el till ånga

Illustration Issue Month Year
Illustration Utgåva Månad År
100403 4 8 2001

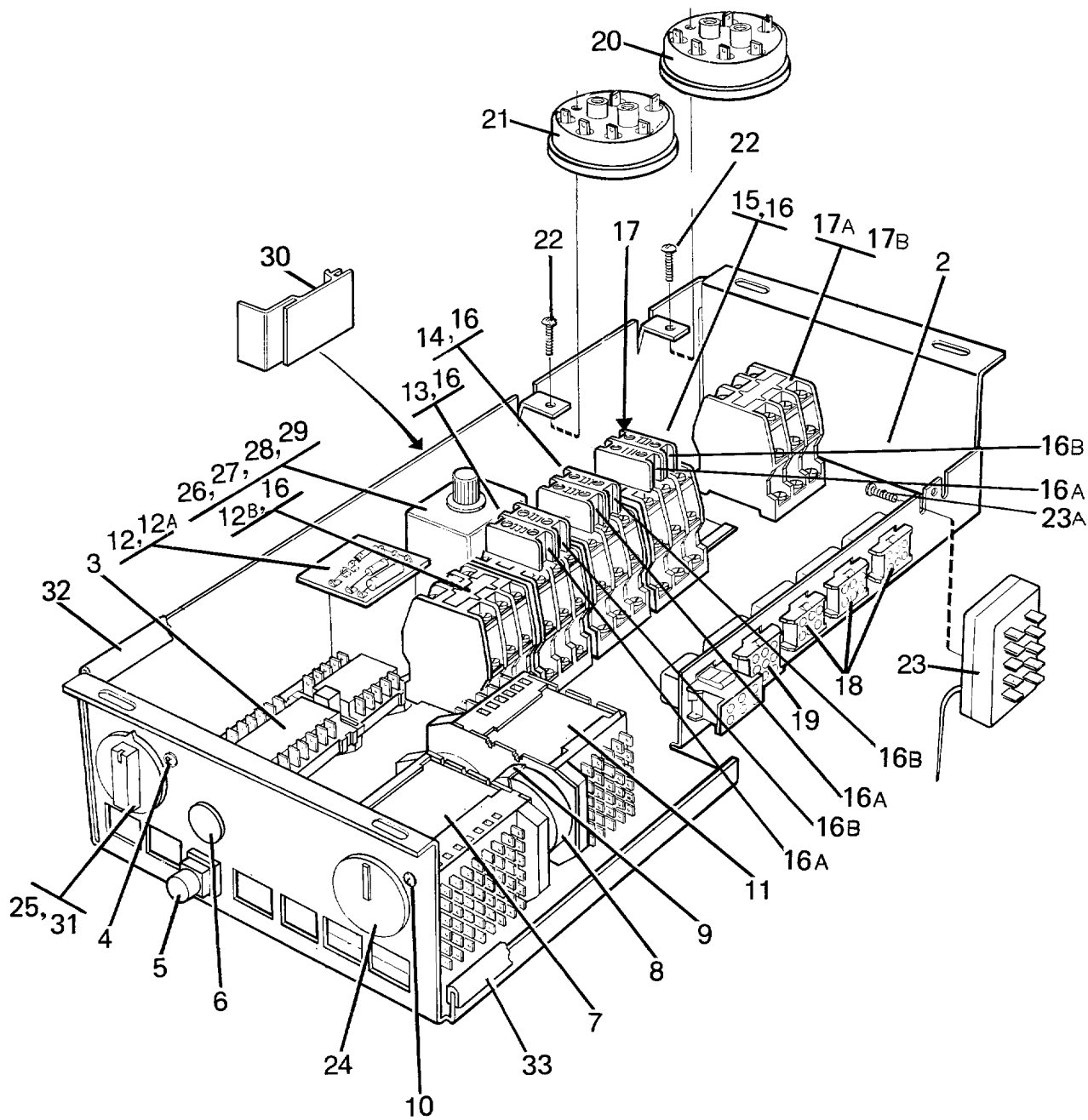
Item Pos.	Qua. Ant.	Art.No Art.nr	Description	Benämning	Info Info	Notes Anmärkning
1	1	471 4650-04	Steam injector	Ånginjektor	1	
2	1	471 2441-05	Nut	Mutter	3	
3	1	471 2441-28	Gasket	Packning	3	
4	1	471 4649-01	Pipe nipple	Rörnippel	3	
5	1	471 4445-01	Nozzle	Munstycke	1,2	Ø3MM
	1	471 4445-02	Nozzle	Munstycke	1,2	Ø5MM
6	1	471 2948-01	Pipe	Rör	3	
7	2	471 8646-26	Connection	Koppling	3	
8	1	471 8279-03	Valve	Ventil	1,2	50/60 Hz
	1	471 8279-08	•Repair kit	•Reparationsats	1,2	
9	1	471 4551-01	Bracket	Fäste	3	
10	4	729 9342-61	Screw	Skruv	3	4,2X13
11	1	471 4550-01	Nipple	Nippel	3	-83/8250
	1	471 4550-02	Nipple	Nippel	3	83/8251-
12	1	471 9030-34	Angle	Vinkel	3	
13	1	471 9004-46	Filter	Filter	3	
14	1	471 9212-76	Connection	Koppling	3	
15	1	471 2448-41	Pipe	Rör	3	
16	1	471 2433-14	Hose	Slang	1	L=940
17	1	471 2401-52	Nipple	Nippel	3	

①



W184					Illustration	Issue	Month	Year
Control unit					Illustration	Utgåva	Månad	År
Automatenhet					100260/1	1	6	1988
Item Pos.	Qua. Ant.	Art.No Art.nr	Description	Benämning	Info Info	Notes Anmärkning		
1	1	471 4839-09	Control unit	Automatenhet	1	220/380V 50Hz COMPL. EL, GAS, P1		
	1	471 4839-10	Control unit	Automatenhet	1	220/380V 50Hz COMPL. EL, DS, P1		
	1	471 4839-11	Control unit	Automatenhet	1	220/380V 60Hz COMPL. EL, DS, P1		
	1	471 4839-13	Control unit	Automatenhet	1	220/380V 50Hz COMPL. GAS, P1		
	1	471 4839-16	Control unit	Automatenhet	1	220/380V 60Hz COMPL. GAS, P1		
	1	471 4839-20	Control unit	Automatenhet	1	220/380V 50Hz COMPL. P2		
	1	471 4839-22	Control unit	Automatenhet	1	220/380V 50Hz COMPL. EL, DS, P2		
	1	471 4839-34	Control unit	Automatenhet	1	220/380V 60Hz COMPL. EL, DS, P3		
	1	471 4839-70	Control unit	Automatenhet	1	220/380V 60Hz COMPL. P3		
	1	471 4839-73	Control unit	Automatenhet	1	220/380V 50Hz COMPL. EL, DS, P3		
	1	471 4839-82	Control unit	Automatenhet	1	220/380V 60Hz COMPL. P8		
2	1	472 6061-01	•Mounting plate	•Monteringsplåt	3			
3	1	471 9615-01	•Program selector	•Programväljare	1,2	P1		
	1	471 9617-01	•Program selector	•Programväljare	1,2	P2,3,4,8		
	1	471 9618-01	•Program selector	•Programväljare	1,2	P6		
	1	471 8618-02	•Program selector	•Programväljare	1,2	P6		
4	2	724 1285-01	•Screw	•Skruv	1,2	M4X6		
5	1	471 9610-05	•Switch	•Strömställare	1,2			
6	1	763 1101-01	•Lamp	•Lampa	1,2	220V		
	1	763 1103-01	•Lamp	•Lampa	1,2	100-120V		
7	1	471 8953-04	•Program mechanism	•Programverk	1,2	220V 50/60Hz P1		
	1	471 8953-05	•Program mechanism	•Programverk	1,2	115V 60Hz P1		
	1	471 8950-14	•Program mechanism	•Programverk	1,2	220V 50Hz		
	1	471 8950-15	•Program mechanism	•Programverk	1,2	220V 60Hz P3		
	1	471 8950-16	•Program mechanism	•Programverk	1,2	120V 60Hz P3,8		
	1	471 8950-21	•Program mechanism	•Programverk	1,2	100V 50Hz P3,8		
	1	471 8950-17	•Program mechanism	•Programverk	1,2	220V 50Hz P4		
	1	471 8950-19	•Program mechanism	•Programverk	1,2	220V 60Hz P5		
	1	471 8950-20	•Program mechanism	•Programverk	1,2	110V 60Hz P5		
	1	471 8953-14	•Program mechanism	•Programverk	1,2	220V 60Hz P6		
8	2	471 6654-55	••Motor	••Motor	1,2	NEW TIMER 220V 50Hz		
	2	471 6655-49	••Motor	••Motor	1,2	220V 50/60Hz		
	2	471 6654-56	••Motor	••Motor	1,2	115V 50Hz NEW TIMER 110V		
9	2	471 6661-53	••Clamp	••Bygel	3			
10	3	724 1289-01	•Screw	•Skruv	3	M4X10		
11	1	471 8954-03	•Reverser	•Reverserare	1,2	50Hz P1		
	1	471 8954-04	•Reverser	•Reverserare	1,2	60Hz P1,6		
	1	471 8954-05	•Reverser	•Reverserare	1,2	115V 60Hz P1		
12	1	471 9514-11	•Delay unit	•Fördröjningsenhet	1,2	208-240V		
	1	471 9514-12	•Delay unit	•Fördröjningsenhet	1,2	100-120V		
12A	1	471 9035-20	•Nut	•Mutter	3	M8		
12B	1	767 5152-00	•Contactor	•Kontaktor	1,2	50Hz P1		
	1	767 5151-00	Contactactor 60Hz	Kontaktor,60Hz	1,2	208-230V 60Hz P3		
13	1	767 5152-00	•Contactor	•Kontaktor	1,2	50Hz P2,3,4		
	1	767 5151-00	•Contactor 60Hz	•Kontaktor,60Hz	1,2	208-230V 60Hz P3		
14	1	438 9636-02	•Contactor	•Kontaktor	1,2	50Hz, K3-10 P1,2,3,4,8		
	1	438 9636-03	•Contactor	•Kontaktor	1,2	60Hz, K3-10 P1,3,5,6,8		
	1	767 5112-10	•Contactor	•Kontaktor	1,2	220V 1AC 50Hz P1,3,5,6,8		
15	1	438 9636-02	•Contactor	•Kontaktor	1,2	50Hz, K3-10 P1,2,3,4		
	1	438 9636-03	•Contactor	•Kontaktor	1,2	60Hz, K3-10 P1,2,3,8		
	1	767 5112-10	•Contactor	•Kontaktor	1,2	220V 1AC 50Hz P2		

①



Issue	Month	Year
01	05	88

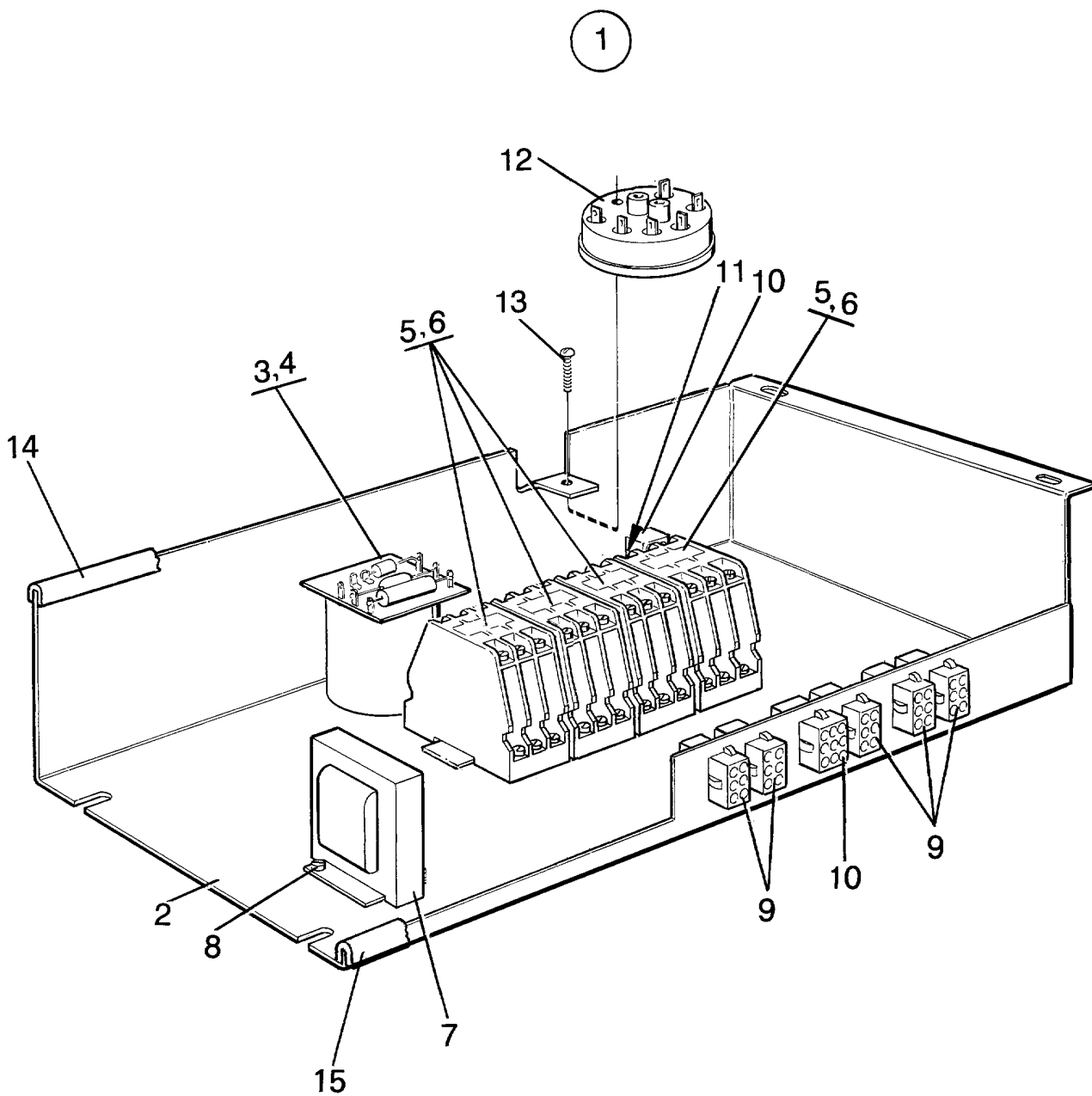
W184

Control unit

Automatenhet

Illustration Issue Month Year
Illustration Utgåva Månad År
100260/1 1 6 1988

Item Pos.	Qua. Ant.	Art.No Art.nr	Description	Benämning	Info Info	Notes Anmärkning
16						Not used
16A						Not used
16B						Not used
17	1	471 9604-01	•Mains current breaker	•Överströmsskydd	1,2	9,75±0,25A
17A						Not used
17B						Not used
18	6	762 3211-01	Plug connector	Hylsblock	3	6-pole
19	2	762 3231-01	Plug connector	Hylsblock	3	9-POLE
20	1	471 8860-66	Level control	Nivåkontroll	1,2	P1,2,3,4
	1	471 8850-11	Level control	Nivåkontroll	1,2	Japan
21	1	471 8860-11	Level control	Nivåkontroll	1,2	P3,5,1AC
22	2	729 5279-01	Screw	Skruv	3	RXS B6X9,5
23	1	471 8803-11	Thermostat	Termostat	1,2	
23A	2	725 2285-42	Screw	Skruv	3	M4X6
24	1	472 6082-01	Pointer	Visare	1	
25	1	472 5207-02	Knob	Vred	1,2	White
	1	438 0076-01	Knob	Vred	1,2	Complete
26						Not used
27						Not used
28						Not used
29						Not used
30						Not used
31	1	471 8159-02	Gasket	Packning	3	
32	1	471 8180-01	Gasket	Packning	3	
33	1	471 8180-11	Strip	List	3	



W184MP

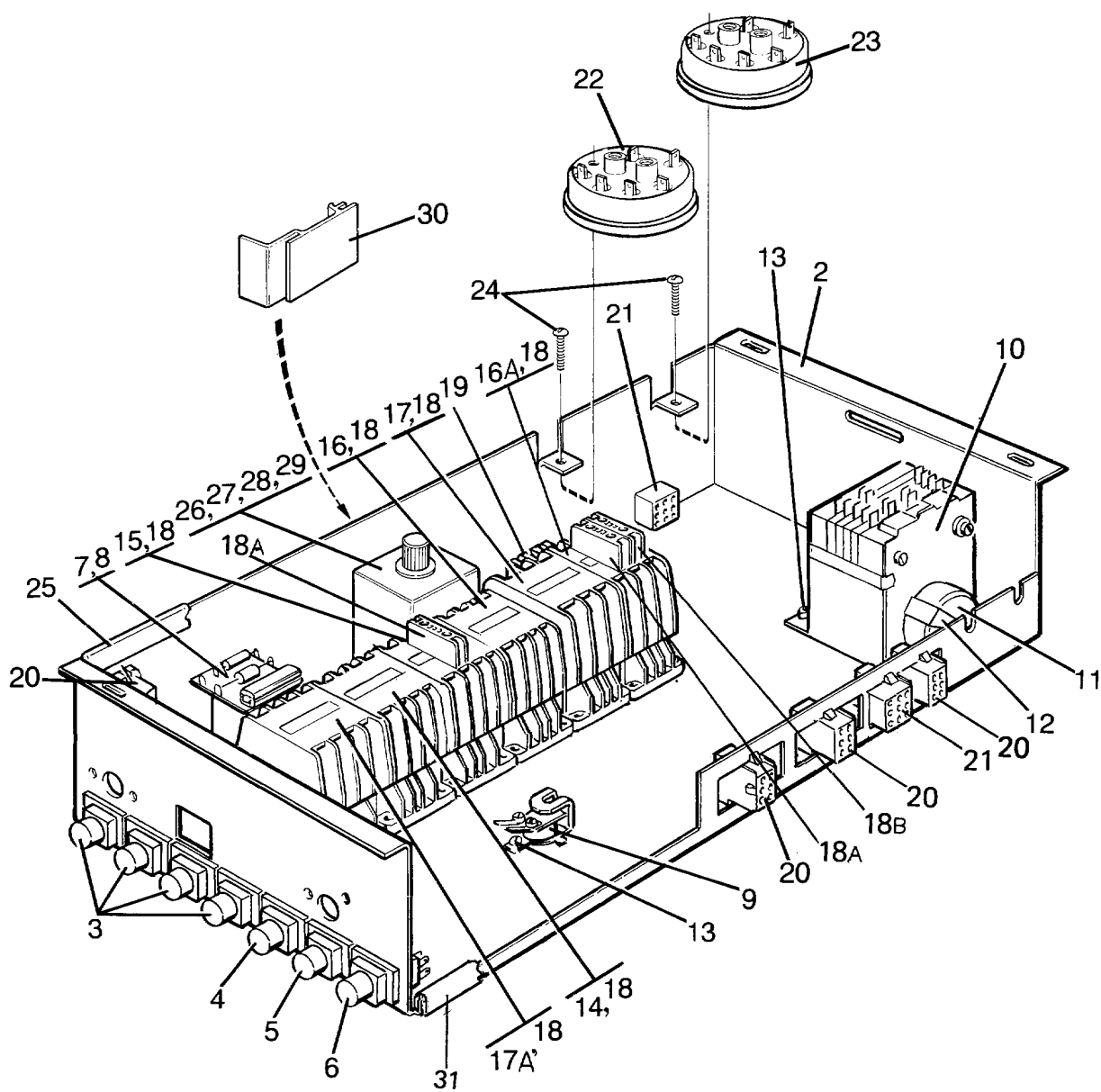
Control unit MP

Automatenhet MP

Illustration Issue Month Year
Illustration Utgåva Månad År
100259/1 4 8 1991

Item Pos.	Qua. Ant.	Art.No Art.nr	Description	Benämning	Info Info	Notes Anmärkning
1	1	471 4700-02	Control unit	Automatenhet	1	208-240V 3AC 60Hz Compl. El
	1	471 4700-28	Control unit	Automatenhet	1	208-240V 3AC 60Hz COMPL. CANADA
	1	471 4700-30	Control unit	Automatenhet	1	208-240V 1AC 60Hz COMPL. CANADA
	1	471 4700-31	Control unit	Automatenhet	1	208-240V 1AC 60Hz COMPL. CANADA
2	1	472 6061-04	•Mounting plate	•Monteringsplåt	3	
3	1	471 9514-11	•Delay unit	•Fördröjningsenhet	1,2	208-240V
	1	471 9514-61	••Printed circuit board	••Kretskort	1,2	220V Complete
4	1	471 9035-20	•Nut	•Mutter	3	M8
5	3	438 9636-03	•Contactor	•Kontaktor	1,2	60Hz, K3-10
	3	767 5111-10	•Contactor	•Kontaktor	1,2	208-230V 60Hz
	3	767 5103-09	•Contactor	•Kontaktor	1,2	110V 60Hz
6						Not used
7	1	471 9550-07	•Transformer	•Transformator	1,2	
8	2	724 1226-61	•Screw	•Skruv	3	M3X12
9	RQ	762 3211-01	•Plug connector	•Hylsblock	3	6-pole
10	2	762 3231-01	•Plug connector	•Hylsblock	3	9-POLE
11	1	471 9604-02	•Mains current breaker	•Överströmsskydd	1,2	1AC
12	1	471 8860-66	Level control	Nivåkontroll	1,2	
	1	471 8850-11	Level control	Nivåkontroll	1,2	Japan
13	1	729 5279-01	Screw	Skruv	3	RXS B6X9,5
14	1	471 8180-03	Strip	List	3	
15	1	471 8180-12	Strip	List	3	

①



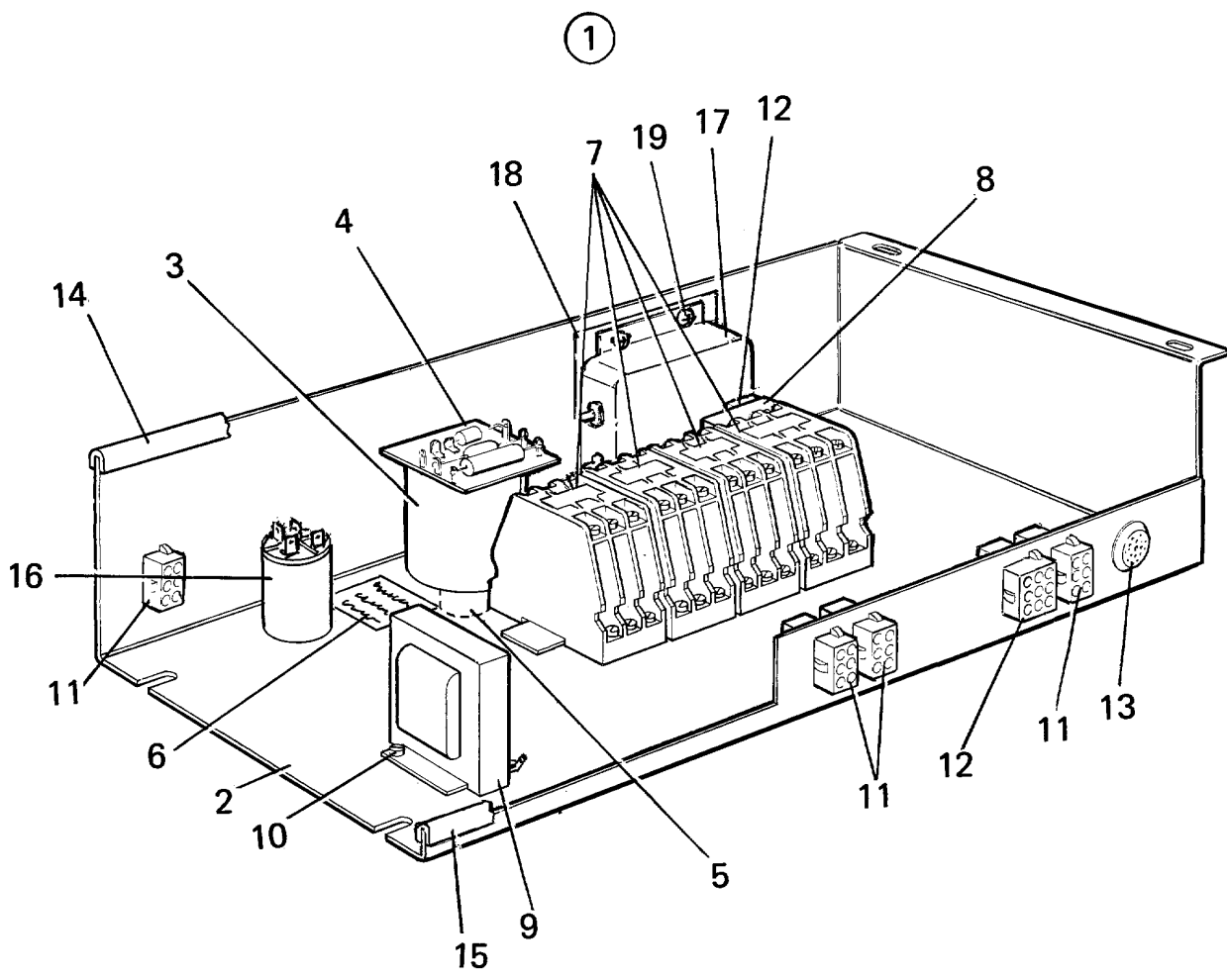
FL184

Control unit FL

Automatenhet FL

Illustration Issue Month Year
Illustration Utgåva Månad År
100273/1 5 8 1997

Item Pos.	Qua. Ant.	Art.No Art.nr	Description	Benämning	Info Info	Notes Anmärkning
1	1	471 4843-01	Control unit	Automatenhet	1	220/380V 50Hz COMPL. EL,DS
	1	471 4843-02	Control unit	Automatenhet	1	220/380V 60Hz COMPL. EL,DS
	1	471 4843-03	Control unit	Automatenhet	1	220/380V 50Hz COMPL. NON-HEATED
	1	471 4843-05	Control unit	Automatenhet	1	220/380V 60Hz Complete
	1	471 4843-16	Control unit	Automatenhet	1	380V 50Hz COMPL. GAS/EL
	1	471 4843-18	Control unit	Automatenhet	1	220/380V 60Hz COMPL. GAS
	1	471 4843-20	Control unit	Automatenhet	1	220/380V 50Hz COMPL.,EL,DS
2	1	472 6061-01	•Mounting plate	•Monteringsplåt	3	
3	4	471 9610-05	•Switch	•Strömställare	1,2	
4	1	471 9610-04	•Switch	•Strömställare	1,2	
5	1	471 9610-02	•Switch	•Strömställare	1,2	
6	1	471 9610-06	•Switch	•Strömställare	1,2	
7	1	471 9514-11	•Delay unit	•Fördröjningsenhet	1,2	208-240V
	1	471 9514-12	•Delay unit	•Fördröjningsenhet	1,2	100-120V
8	1	471 9035-20	•Nut	•Mutter	3	M8
9	1	471 9651-50	•Buzzer	•Summer	1,2	208-240V
10	1	471 2422-19	•Reverser	•Reverserare	1,2	50Hz
	1	471 2422-20	•Reverser	•Reverserare	1,2	60Hz
11	1	471 9056-91	••Motor	••Motor	1,2	OLD TIMER 220V 50Hz
	1	471 9056-92	••Motor	••Motor	1,2	OLD TIMER 208-240V 60Hz
12	1	471 6536-78	••Clamp	••Bygel	3	
13	4	729 5279-01	•Screw	•Skruv	3	RXS B6X9,5
14	1	767 5122-00	•Contactor	•Kontaktor	1,2	50Hz
	1	767 5121-00	•Contactor	•Kontaktor	1,2	220/380V 60Hz
15	1	767 5131-00	•Contactor	•Kontaktor	1,2	50Hz
	1	767 5132-00	•Contactor 60Hz	•Kontaktor,60Hz	1,2	60Hz
16	1	438 9636-02	•Contactor	•Kontaktor	1,2	50Hz, K3-10
	1	438 9636-03	•Contactor	•Kontaktor	1,2	60Hz, K3-10
16A						Not used
17	1	438 9636-02	•Contactor	•Kontaktor	1,2	50Hz, K3-10
	1	438 9636-03	•Contactor	•Kontaktor	1,2	60Hz, K3-10
17A	1	767 5152-00	•Contactor	•Kontaktor	1,2	50Hz 220-240V 50Hz
	1	767 5151-00	•Contactor 60Hz	•Kontaktor,60Hz	1,2	208-230V 60Hz
18						Not used
18A						Not used
18B						Not used
19	1	471 9604-01	•Mains current breaker	•Överströmsskydd	1,2	9,75±0,25A
20	RQ	762 3211-01	•Plug connector	•Hylsblock	3	6-pole
21	2	762 3231-01	•Plug connector	•Hylsblock	3	9-POLE
22	1	471 8860-11	Level control	Nivåkontroll	1,2	Extraction
23	1	471 8860-66	Level control	Nivåkontroll	1,2	High/low
	1	471 8850-11	Level control	Nivåkontroll	1,2	Japan
24	2	729 5279-01	Screw	Skruv	3	RXS B6X9,5
25	1	471 8180-01	Gasket	Packning	3	
26						Not used
27						Not used
28						Not used
29						Not used
30						Not used
31	1	471 8180-11	Strip	List	3	



Issue	Month	Year
03	08	91

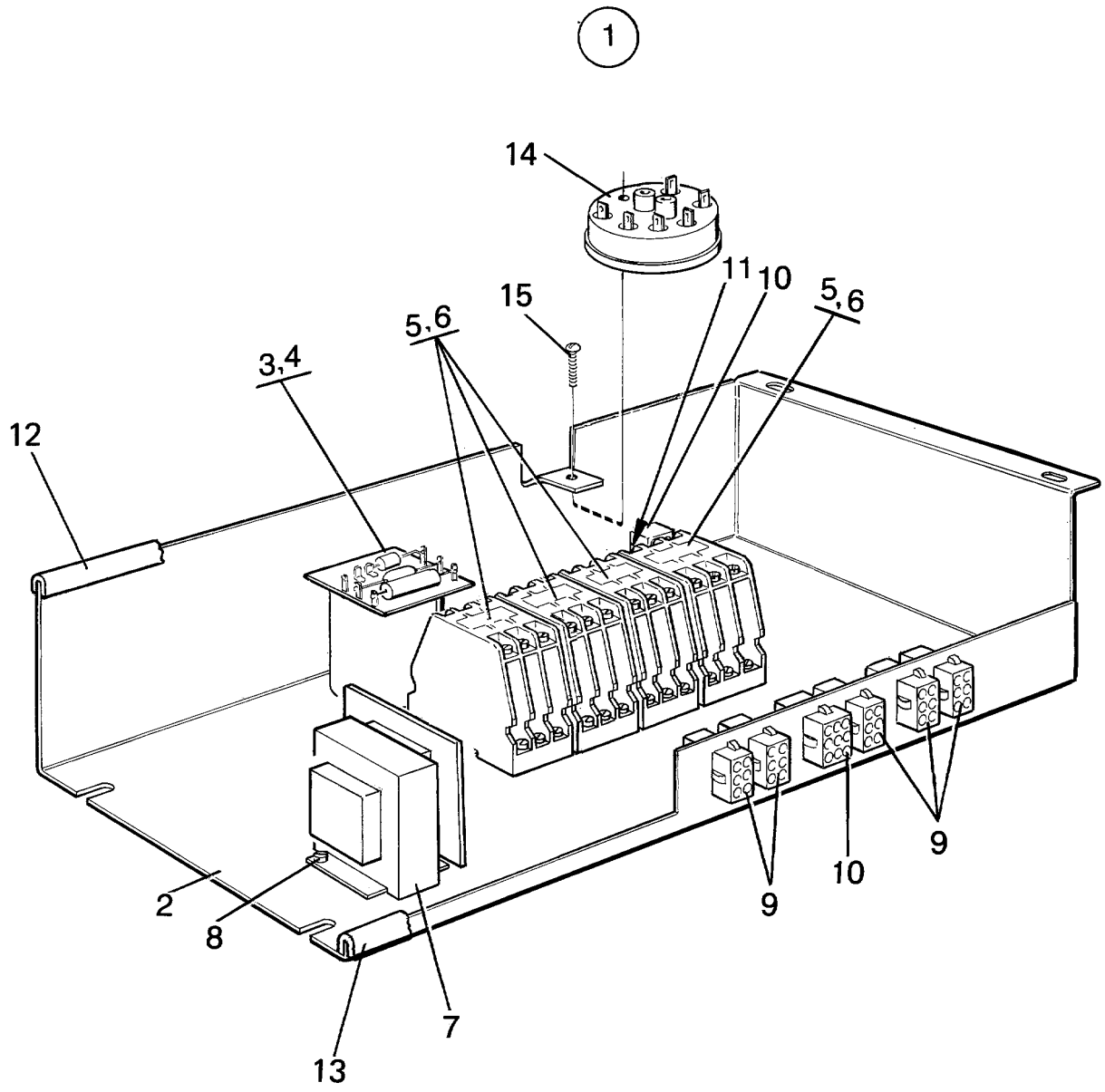
FL184MP

Control unit FL-MP

Automatenhet FL-MP

Illustration Issue Month Year
Illustration Utgåva Månad År
100207 6 8 1991

Item Pos.	Qua. Ant.	Art.No Art.nr	Description	Benämning	Info Info	Notes Anmärkning	
1	1	472 6737-01	Control unit	Automatenhet	1	220V 3AC 50Hz Complete	
	1	472 6737-02	Control unit	Automatenhet	1	208-240V 3AC 60Hz Complete	
	1	472 6737-05	Control unit	Automatenhet	1	Compl. Complete	
	1	472 6737-06	Control unit	Automatenhet	1	240V 3AC 50Hz Complete	
	1	472 6737-07	Control unit	Automatenhet	1	208-240V 3AC 60Hz Complete	
	1	472 6737-09	Control unit	Automatenhet	1	208-240V 1AC 60Hz Complete	
	2	1	472 6061-04	•Mounting plate	•Monteringsplåt	3	
	3	1	471 9514-11	•Delay unit	•Fördröjningsenhet	1,2	208-240V
	4	1	471 9514-61	••Printed circuit board	••Kretskort	1,2	220V Complete
5	1	471 9035-20	•Nut	•Mutter	1	M8	
6	1	471 7640-01	•Sign	•Skylt	3		
7	3	438 9636-03	•Contactor	•Kontaktor	1,2	60Hz, K3-10	
	3	438 9636-02	•Contactor	•Kontaktor	1,2	50Hz, K3-10	
8	1	471 9604-02	•Mains current breaker	•Överströmsskydd	1	1AC 13,5±0,5A	
9	1	471 9550-15	•Transformer	•Transformator	1,2	208/220/240/480V	
10	2	729 5342-01	•Screw	•Skruv	3		
11	4	762 3211-01	•Plug connector	•Hylsblock	3	6-pole	
12	2	762 3231-01	•Plug connector	•Hylsblock	3	9-POLE	
13	1	471 9653-03	•Buzzer	•Summer	1		
14	1	471 8180-13	•Strip	•List	3		
15	1	471 8180-12	•Strip	•List	3		
16	1	471 9529-10	Mains filter	Nätfilter	3	208-240V	
17						Not used	
18						Not used	
19						Not used	



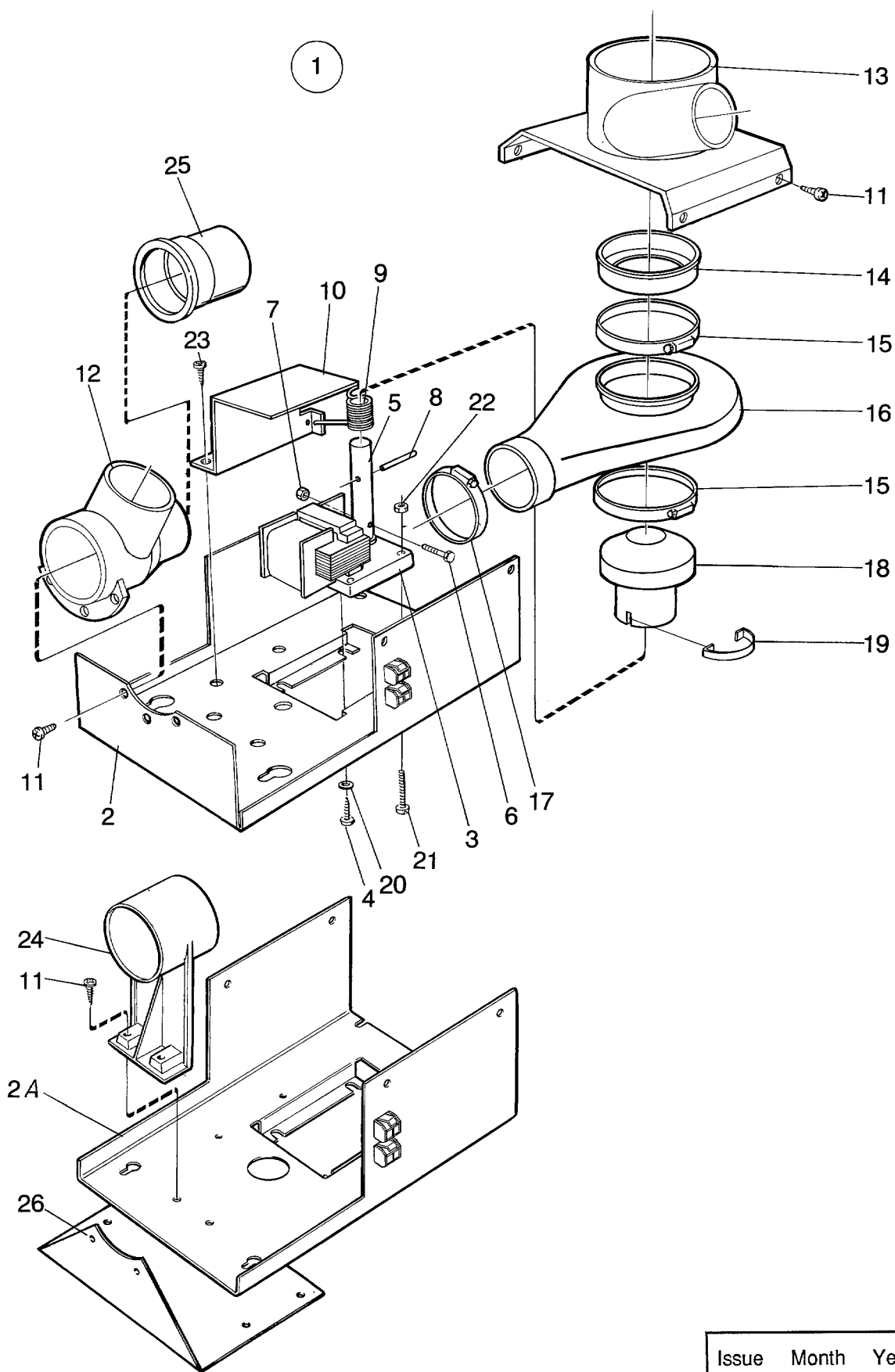
W184MP

Control unit MP GEN III

Automatenhet MP GEN III

Illustration	Issue	Month	Year
Illustration	Utgåva	Månad	År
100556	2	11	2002

Item Pos.	Qua. Ant.	Art.No Art.nr	Description	Benämning	Info Info	Notes Anmärkning
1	1	471 4700-50	Control unit	Automatenhet	1	220V 3AC 50Hz Complete
	1	471 4700-52	Control unit	Automatenhet	1	240V 3AC 50Hz Complete
	1	471 4700-53	Control unit	Automatenhet	1	208-240V 60Hz 3AC Complete
2	1	472 6061-04	•Mounting plate	•Monteringsplåt	3	
3	1	471 9514-11	•Delay unit	•Fördröjningsenhet	1,2	208-240V
	1	471 9514-61	••Printed circuit board	••Kretskort	1,2	220V Complete
4	1	471 9035-20	•Nut	•Mutter	3	M8
5	3	438 9636-02	•Contactor	•Kontaktor	1,2	50Hz, K3-10
	3	438 9636-03	•Contactor	•Kontaktor	1,2	60Hz, K3-10
6						Not used
7	1	471 9558-01	•Transformer	•Transformator	1,2	
8	2	724 1226-61	•Screw	•Skruv	3	M3X12
9	RQ	762 3211-01	•Plug connector	•Hylsblock	3	6-pole
10	2	762 3231-01	•Plug connector	•Hylsblock	3	9-POLE
11						Not used
12	1	471 8180-13	•Strip	•List	3	
13	1	471 8180-12	•Strip	•List	3	
14	1	471 8860-63	Level control	Nivåkontroll	1,2	
15	1	729 5279-01	Screw	Skruv	3	RXS B6X9,5



W184,W184MP,FL184,FL184MP

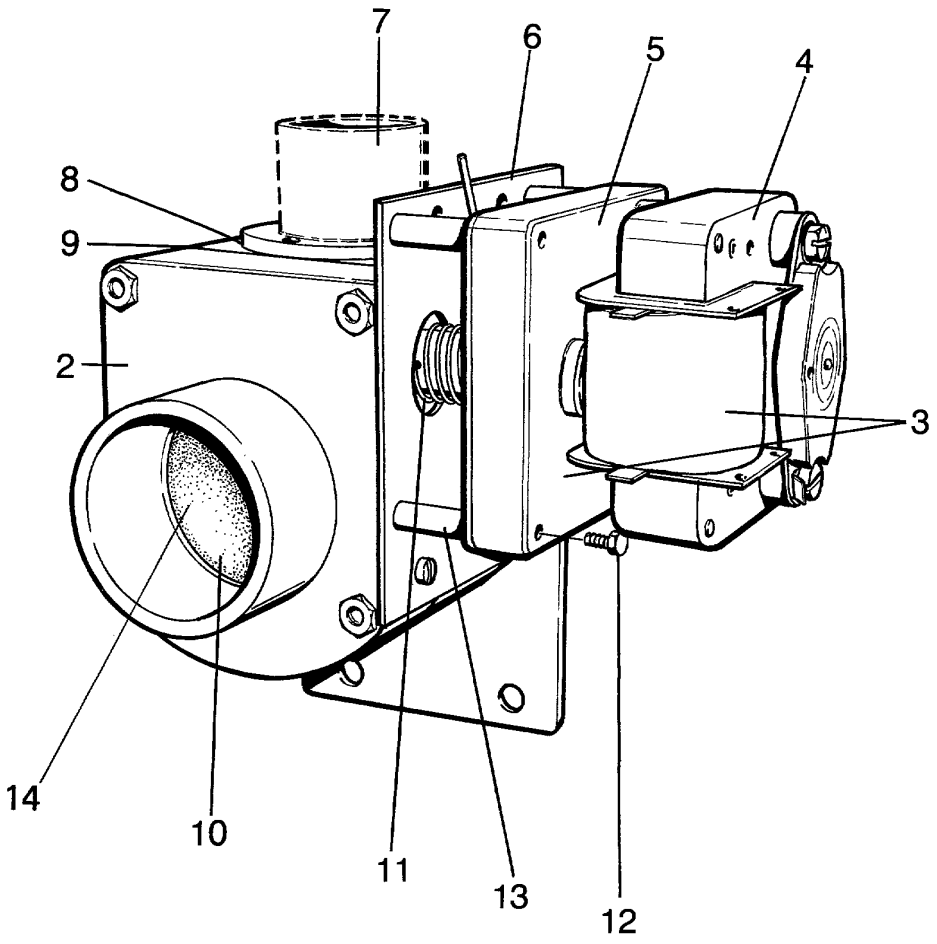
Drain valve

Avloppsventil

Illustration Issue Month Year
Illustration Utgåva Månad År
100562 3 11 1992

Item Pos.	Qua. Ant.	Art.No Art.nr	Description	Benämning	Info Info	Notes Anmärkning
1	1	472 6020-00	Drain valve	Avloppsventil	1	220V 50/60Hz 60-120 LITRES
	1	472 6020-05	Drain valve	Avloppsventil	1	220V 50/60Hz 70,152 AND 214 ETC.
	1	472 6020-06	Drain valve	Avloppsventil	1	115V 50/60Hz 70,152 AND 214 ETC.
	1	472 6020-07	Drain valve	Avloppsventil	1	100V 60Hz 70,152 AND 214 LITRES
	1	472 6020-08	Drain valve	Avloppsventil	1	220V 50/60Hz 325 LITRES
	1	472 6020-10	Drain valve	Avloppsventil	1	220V 50/60Hz 220 LITRES
2	1	472 6018-00	•Bracket	•Konsol	3	WE/FLE
2A	1	471 2908-01	•Bracket	•Konsol	3	W/FL
3	1	471 9727-01	•Motor	•Motor	1,2	220V 50/60Hz
	1	471 9727-02	•Motor	•Motor	1,2	120V
	1	471 9727-03	•Motor	•Motor	1,2	100V 60Hz
4	3	724 1323-01	•Screw	•Skruv	3	M5X8
5	1	472 6016-00	•Piston	•Kolvstång	1	
6	1	724 1295-01	•Screw	•Skruv	3	M4X20
7	1	732 2112-01	•Locking nut	•Låsmutter	3	M4
8	1	472 6017-00	•Shaft	•Axel	1	
9	1	471 7804-01	•Torsion spring	•Vridfjäder	1,2	
10	1	472 6195-01	•Cover	•Skydd	3	
11	6	471 8317-01	•Screw	•Skruv	3	
12	1	471 4521-01	•Connection	•Stos	1	
13	1	472 6011-00	•Hose connection	•Slanganslutning	3	
	1	472 6011-01	•Hose connection	•Slanganslutning	3	PLUGGED
14	1	472 6012-00	•Rubber ring	•Manschett	1,2	
15	2	471 7851-02	•Hose clamp	•Slangklämma	3	
16	1	472 6013-00	•Hose	•Slang	1,2	
17	1	736 2840-51	•Hose clamp	•Slangklämma	3	Ø50-63
18	1	472 6015-00	•Piston	•Kolv	1	
19	1	472 6147-00	•Spring	•Fjäder	1	-82/5050
20	2	735 2146-01	•Washer	•Bricka	3	M5
21	1	734 1303-01	•Screw	•Skruv	3	M4X40
22	1	731 2312-01	•Nut	•Mutter	3	M4
23	2	729 5279-01	•Screw	•Skruv	3	RXS B6X9,5
24	1	471 2903-01	•Joint piece	•Skarvstycke	3	
25	1	472 6561-01	•Connection	•Stos	3	220 82/491-
26	1	472 6549-01	•Bracket	•Konsol	3	220 82/491-

1



Issue	Month	Year
02	10	90

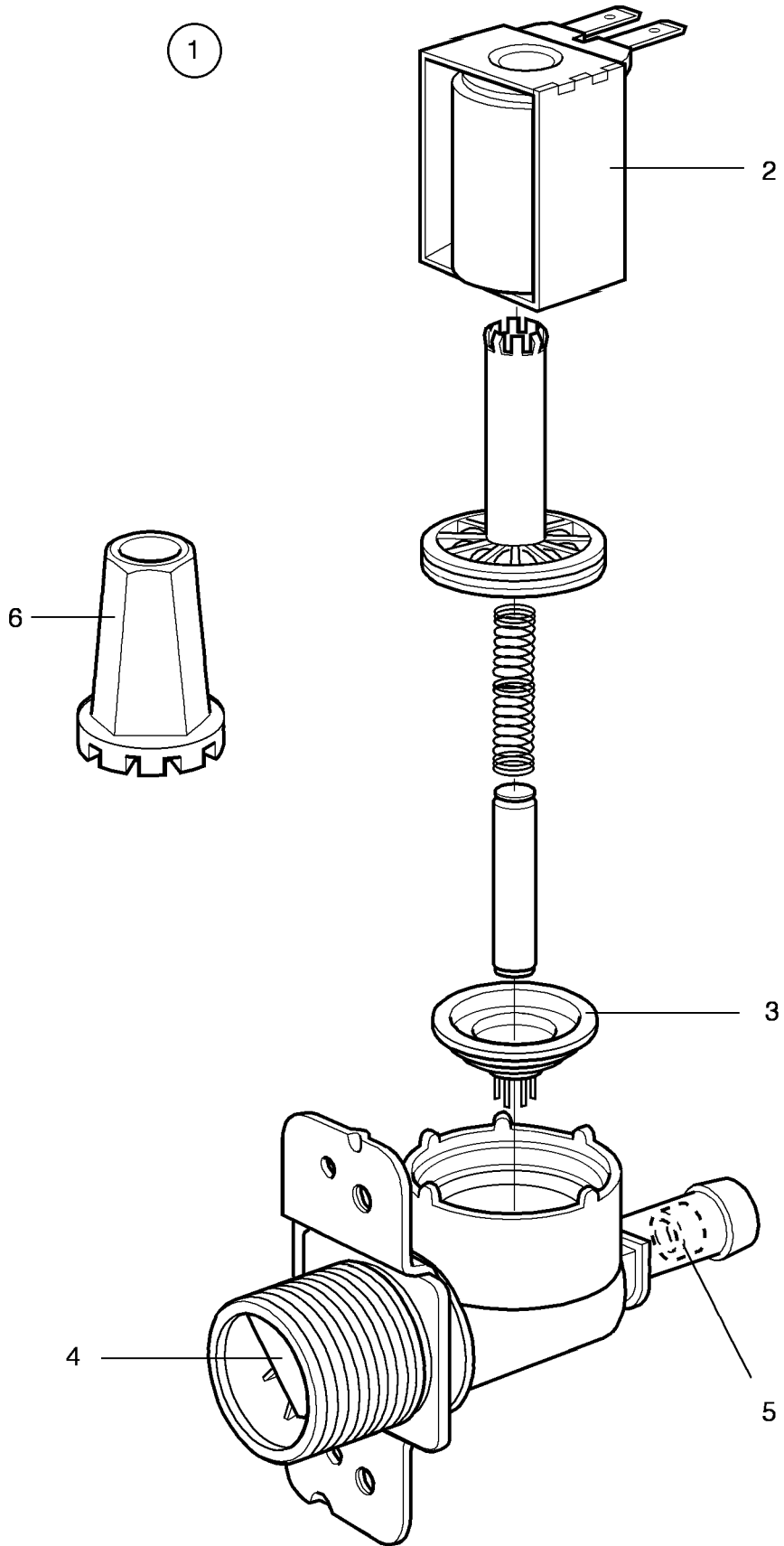
W184,W184MP,FL184,FL184MP

Drain valve

Avloppsventil

Illustration Issue Month Year
Illustration Utgåva Månad År
100563 3 10 1990

Item Pos.	Qua. Ant.	Art.No Art.nr	Description	Benämning	Info Info	Notes Anmärkning
1	1	471 9219-63	Drain valve	Avloppsventil	1	70,185-242V 50/60Hz El.heated, 185-242V
2	1	471 6753-59	•Valve housing	•Ventilhus	1	70
3	1	471 6753-58	•Motor	•Motor	1	50/60Hz With gear
4	1	471 6654-20	••Motor	••Motor	1	
5	1	471 6654-22	••Gear	••Växel	1	
6	1	471 6654-14	•Mounting plate	•Monteringsplåt	3	
7	1	471 6654-13	•Muff	•Muff	3	70
8	1	471 6653-02	•Gasket	•Packning	3	70
9	1	471 6653-01	•Gasket	•Packning	1	
10	1	471 6653-03	•Cover	•Lock	1	With plate
11	1	471 6654-28	•Spring	•Fjäder	1	
12	4	471 6654-16	•Screw	•Skruv	3	
13	4	471 6654-15	•Spacer	•Distans	3	
14	1	471 6675-23	Spring	Fjäder	1	



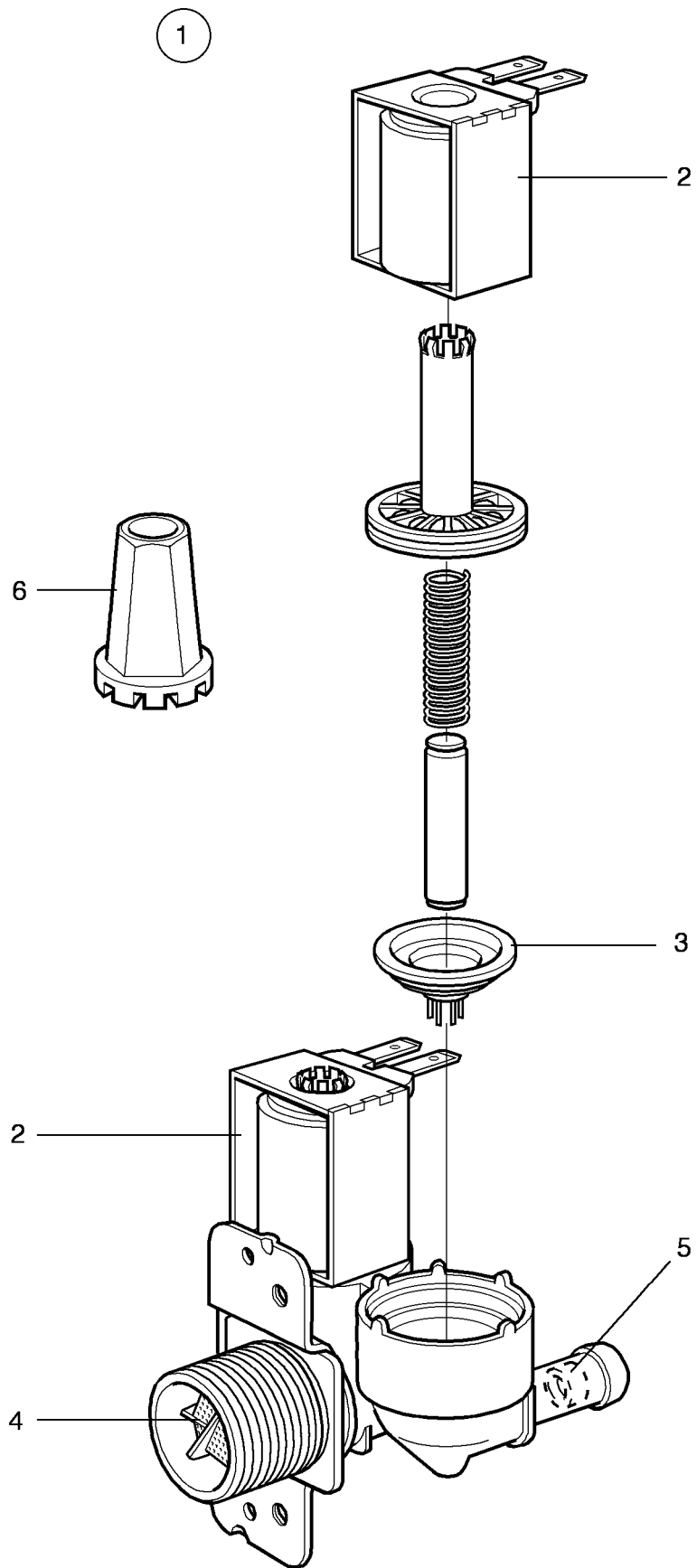
W184,W184MP,FL184,FL184MP

Inlet valve 3/4", single

Tilloppsventil 3/4",enkel

Illustration Issue Month Year
Illustration Utgåva Månad År
100044 3 8 1991

Item Pos.	Qua. Ant.	Art.No Art.nr	Description	Benämning	Info Info	Notes Anmärkning
1	1	471 8234-01	Valve	Ventil	1,2	208-240V 50Hz 1-way NITRIL COMPL. RESTRICTION 5 L/MIN
	1	471 8234-04	Valve	Ventil	1,2	208-240V 60Hz 1-way NITRIL COMPL. RESTRICTION 5 L/MIN
	1	471 8234-02	Valve	Ventil	1,2	50Hz 1-way NITRIL COMPL. RESTRICTION 20L/MIN
	1	471 8234-05	Valve	Ventil	1,2	60Hz 1-way NITRIL COMPL. RESTRICTION 20L/MIN
	1	471 8234-08	Valve	Ventil	1,2	EDPM 208-240V 60Hz Complete RESTRICTION 2,5L/MIN
	1	471 8234-09	Valve	Ventil	1,2	EPDM 208-240V 60Hz 1-way RESTRICTION 2,5L/MIN
2	1	471 6696-37	•Coil	•Spole	1,2	208-240V 50Hz
	1	471 6696-33	•Coil	•Spole	1,2	208-240V 60Hz
3	1	471 8234-98	•Diaphragm	•Membran	1,2	NITRIL
	1	471 8234-92	•Diaphragm	•Membran	1,2	EPDM
4	1	471 8234-94	•Filter	•Filter	1	
5	1	471 8234-95	•Restrictor	•Strypbricka	1	2,5l/min
	1	471 8234-96	•Restrictor	•Strypbricka	1	5,5l/min
6	1	471 4792-01	Tool	Verktyg	1	



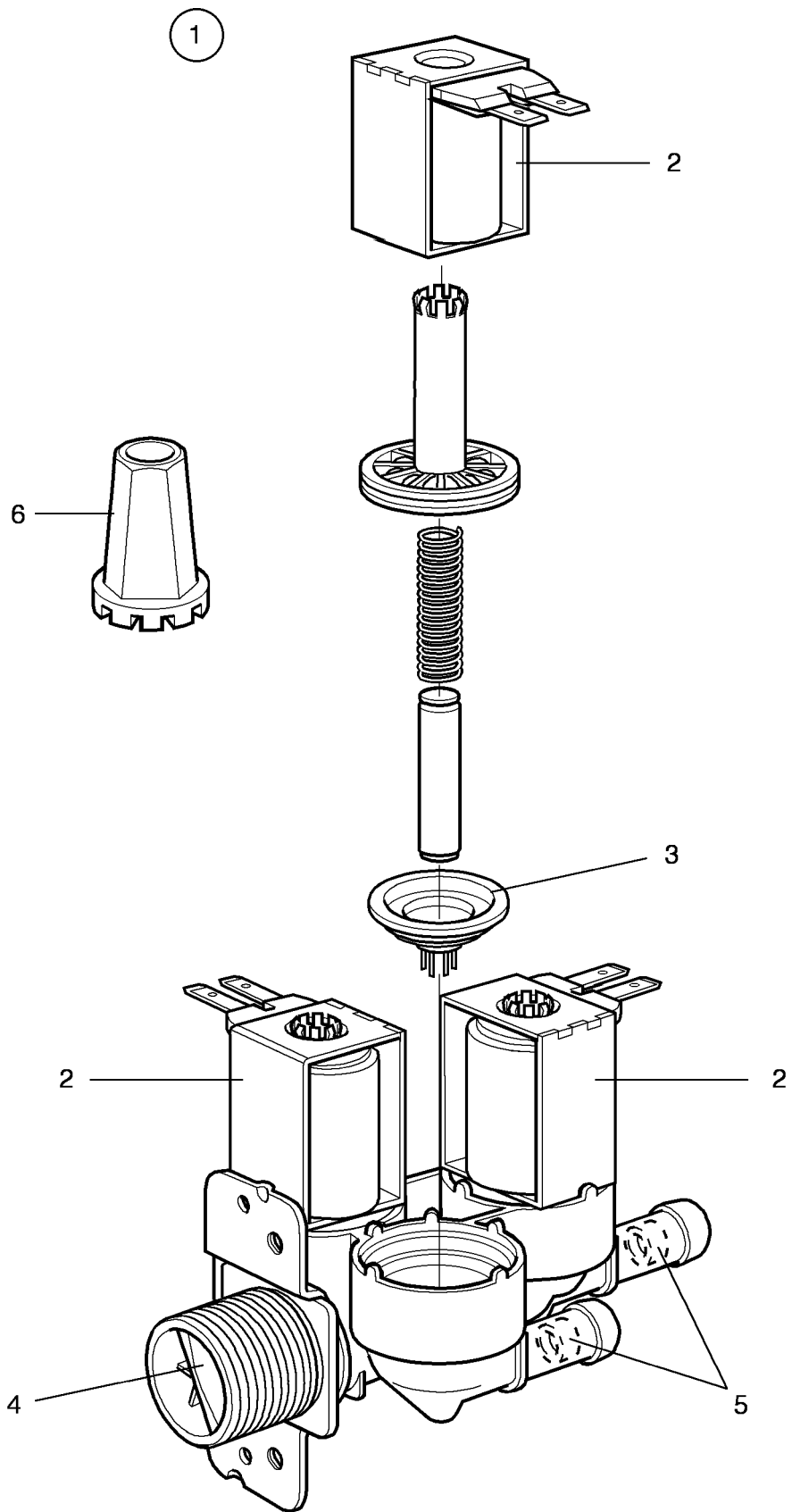
W184,W184MP,FL184,FL184MP

Inlet valve 3/4", 2-way

Tilloppsventil 3/4",2-vägs

Illustration Issue Month Year
Illustration Utgåva Månad År
100045 5 9 1995

Item Pos.	Qua. Ant.	Art.No Art.nr	Description	Benämning	Info Info	Notes Anmärkning
1	1	471 8235-01	Valve	Ventil	1,2	NITRIL COMPL. RESTRICTION 20/20L/MIN
	1	471 8235-09	Valve	Ventil	1,2	208-240V 60Hz 2-way NITRIL COMPL. RESTRICTION 20/20L/MIN
	1	471 8235-02	Valve	Ventil	1,2	208-240V 50Hz 2-way NITRIL COMPL. RESTRICTION 5,5/20L/MIN
	1	471 8235-02	Valve	Ventil	1,2	208-240V 50Hz 2-way NITRIL COMPL. RESTRICTION 5,5/20L/MIN
	1	471 8235-03	Valve	Ventil	1,2	208-240V 50Hz NITRIL COMPL. RESTRICTION 20/2,5L/MIN
	1	471 8235-12	Valve	Ventil	1,2	208-240V 60Hz NITRIL COMPL. RESTRICTION 20/2,5L/MIN
	1	471 8235-11	Valve	Ventil	1,2	EPDM 208-240V 50Hz 2-way USA COMPL. RESTRICTION 20/20L/MIN
	1	471 8235-04	Valve	Ventil	1,2	EPDM 208-240V 60Hz 2-way USA COMPL. RESTRICTION 20/20L/MIN
	1	471 8235-05	Valve	Ventil	1,2	EPDM 208-240V 60Hz 2-way USA COMPL. RESTRICTION 5,5/20L/MIN
	1	471 8235-06	Valve	Ventil	1,2	EPDM 120V 60Hz Complete RESTRICTION 5,5/20L/MIN
	1	471 8235-07	Valve	Ventil	1,2	2-WAY,120V 60Hz USA COMPL. RESTRICTION 20/20L/MIN
	1	471 8235-15	Valve	Ventil	1,2	NITRIL 120V 60Hz 2-way Complete RESTRICTION 20/20L/MIN
	1	471 8235-14	Valve	Ventil	1,2	NITRIL 120V 60Hz 2-way Complete RESTRICTION 5,5/20L/MIN
	1	471 8235-08	Valve	Ventil	1,2	208-240V 50Hz NITRIL COMPL. RESTRICTION 5,5/10L/MIN
	1	471 8235-13	Valve	Ventil	1,2	208-240V 60Hz 2-way NITRIL COMPL. RESTRICTION 5,5/10L/MIN
1	471 8235-20	Valve	Ventil	1,2	NITRIL 120V 50Hz 2-way Complete RESTRICTION 20/20L/MIN	
1	471 8235-21	Valve	Ventil	1,2	NITRIL 120V 50Hz 2-way Complete RESTRICTION 5,5/20L/MIN	
2	2	471 6696-37	•Coil	•Spole	1,2	208-240V 50Hz
	2	471 6696-33	•Coil	•Spole	1,2	208-240V 60Hz
	2	471 6696-32	•Coil	•Spole	1,2	120V 60Hz
3	2	471 8234-98	•Diaphragm	•Membran	1,2	NITRIL
	2	471 8234-92	•Diaphragm	•Membran	1,2	EPDM EPDM,ONLY USA,CDN
4	1	471 8234-94	•Filter	•Filter	1	
5	1	471 8234-95	•Restrictor	•Strypbricka	1	2,5l/min
	1	471 8234-96	•Restrictor	•Strypbricka	1	5,5l/min
	1	471 8234-97	•Restrictor	•Strypbricka	1	10l/min
6	1	471 4792-01	Tool	Verktyg	1	



W184,W184MP,FL184,FL184MP

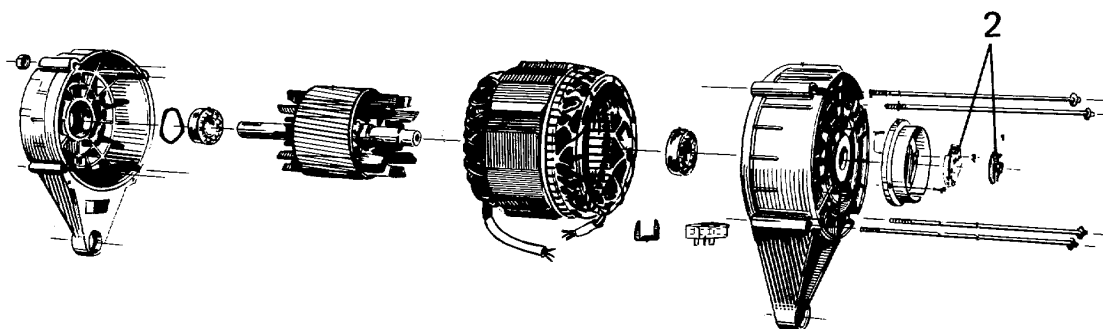
Inlet valve 3/4", 3-way

Tilloppsventil 3/4",3-vägs

Illustration Issue Month Year
Illustration Utgåva Månad År
100046/3 4 9 1995

Item Pos.	Qua. Ant.	Art.No Art.nr	Description	Benämning	Info Info	Notes Anmärkning	
1	1	471 8236-01	Valve	Ventil	1,2	208-240V 50Hz 3-way NITRIL COMPL. RESTRICTION 20/20/20L/MIN	
	1	471 8236-07	Valve	Ventil	1,2	60Hz 3-way NITRIL COMPL. RESTRICTION 20/20/20L/MIN	
	1	471 8236-02	Valve	Ventil	1,2	208-240V 50Hz 3-way NITRIL COMPL. RESTRICTION 5,5/20/20L/MIN	
	1	471 8236-08	Valve	Ventil	1,2	60Hz 3-way NITRIL COMPL. RESTRICTION 5,5/20/20L/MIN	
	1	471 8236-09	Valve	Ventil	1,2	EPDM 208-240V 50Hz 3-way Complete RESTRICTION 5,5/20/20L/MIN	
	1	471 8236-03	Valve	Ventil	1,2	EPDM 208-240V 60Hz 3-way USA COMPL. RESTRICTION 5,5/20/20L/MIN	
	1	471 8236-04	Valve	Ventil	1,2	120V 60Hz 3-way USA COMPL. RESTRICTION 5,5/20/20L/MIN	
	1	471 8236-05	Valve	Ventil	1,2	EPDM 208-240V 60Hz 3-way USA COMPL. RESTRICTION 20/20/20L/MIN	
	1	471 8236-06	Valve	Ventil	1,2	EPDM 120V 60Hz USA COMPL. RESTRICTION 20/20/20L/MIN	
	1	471 8236-12	Valve	Ventil	1,2	208-240V 50Hz 3-way NITRIL COMPL. RESTRICTION 5,5/20/2,5L/MIN	
	1	471 8236-13	Valve	Ventil	1,2	EDPM 208-240V 60Hz 3-way Complete RESTRICTION 5,5/20/2,5L/MIN	
	1	471 8236-14	Valve	Ventil	1,2	208-240V 50Hz Complete Restriction 5/5-/l/min	
	1	471 8236-15	Valve	Ventil	1,2	208-240V 60Hz	
	2	3	471 6696-37	•Coil	•Spole	1,2	208-240V 50Hz
		3	471 6696-33	•Coil	•Spole	1,2	208-240V 60Hz
3		471 6696-71	•Coil	•Spole	1,2	120V 50Hz	
3	3	471 6696-32	•Coil	•Spole	1,2	120V 60Hz	
	3	471 8234-98	•Diaphragm	•Membran	1,2	NITRIL	
4	3	471 8234-92	•Diaphragm	•Membran	1,2	EPDM	
	1	471 8234-94	•Filter	•Filter	1		
5	1	471 8234-95	•Restrictor	•Strypbricka	1	2,5l/min	
	1	471 8234-96	•Restrictor	•Strypbricka	1	5,5l/min	
	1	471 8234-97	•Restrictor	•Strypbricka	1	10l/min	
6	1	471 4792-01	Tool	Verktyg	1		

1



W184,W184MP,FL184,FL184MP

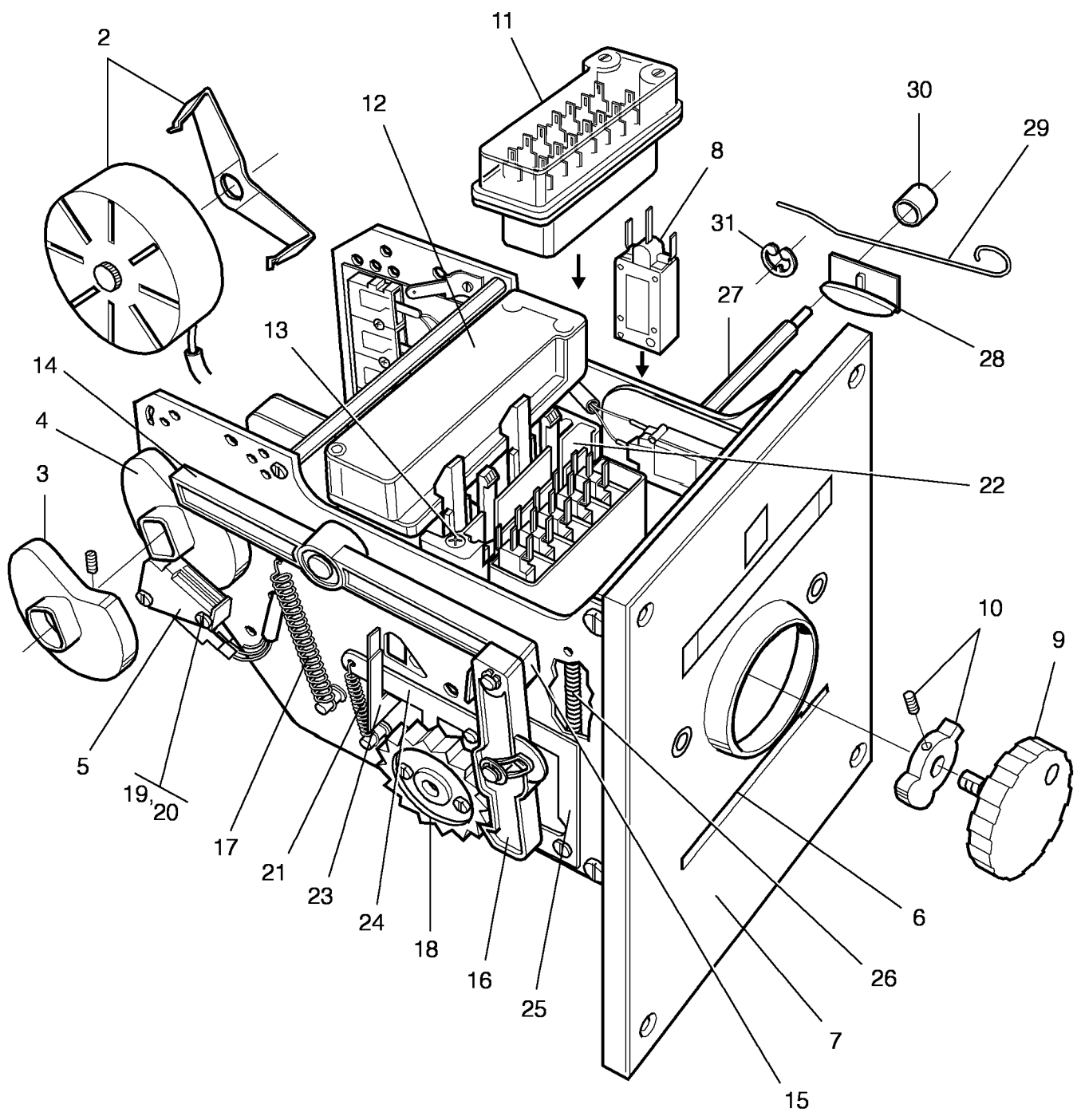
Motor

Illustration Issue Month Year
Illustration Utgåva Månad År
100582/1 11 3 2003

Motor

Item Pos.	Quantity Antal	Art.No Art.nr	Description	Benämning	Info Info	Notes Anmärkning
1			W184,FL184			
			W184MP,FL184MP			
		1	471 9739-51	Motor	Motor	1,2 380-415V 50Hz/415-480V 60Hz 3AC
		1	471 9739-52	Motor	Motor	1,2 190-200V 50Hz/200-240V 60Hz 3AC 3AC
		1	471 9739-54	Motor	Motor	1,2 220-240V 50Hz 1AC
		1	471 9739-57	Motor	Motor	1,2 208-240V 1AC 60Hz,
		1	472 9911-27	Motor	Motor	1,2 230V/380-415V 50Hz 3AC
		1	472 9911-28	Motor	Motor	1,2 380-400V/230V 60Hz 3AC
		1	471 9716-22	Motor	Motor	1,2 208-240V 3AC 60Hz
		1	471 9716-23	Motor	Motor	1,2 440-480V 3AC 60Hz
		1	471 9716-24	Motor	Motor	1,2 380-415V 3NAC 50Hz
		1	471 9716-26	Motor	Motor	1,2 380V 3AC 60Hz
		1	471 9716-27	Motor	Motor	1,2 120V 3AC 60Hz
		1	471 9716-28	Motor	Motor	1,2 200V 3AC 60Hz
		1	471 9716-29	Motor	Motor	1,2 220V 1AC 50Hz
		1	471 9716-38	Motor	Motor	1,2 208-240V 1AC 60Hz SINPAC
		1	471 9716-39	Motor	Motor	1,2 208-240V 1AC 60Hz SINPAC
		1	471 9716-40	Motor	Motor	1,2 200V 1AC 60Hz SINPAC
2		1	471 9739-03	Motor	Motor	1,2 208-240V 1AC 60Hz,
		1	471 9739-57	Motor	Motor	1,2 208-240V 1AC 60Hz,
	1	1	471 6750-95	Switch	Brytare	1

1



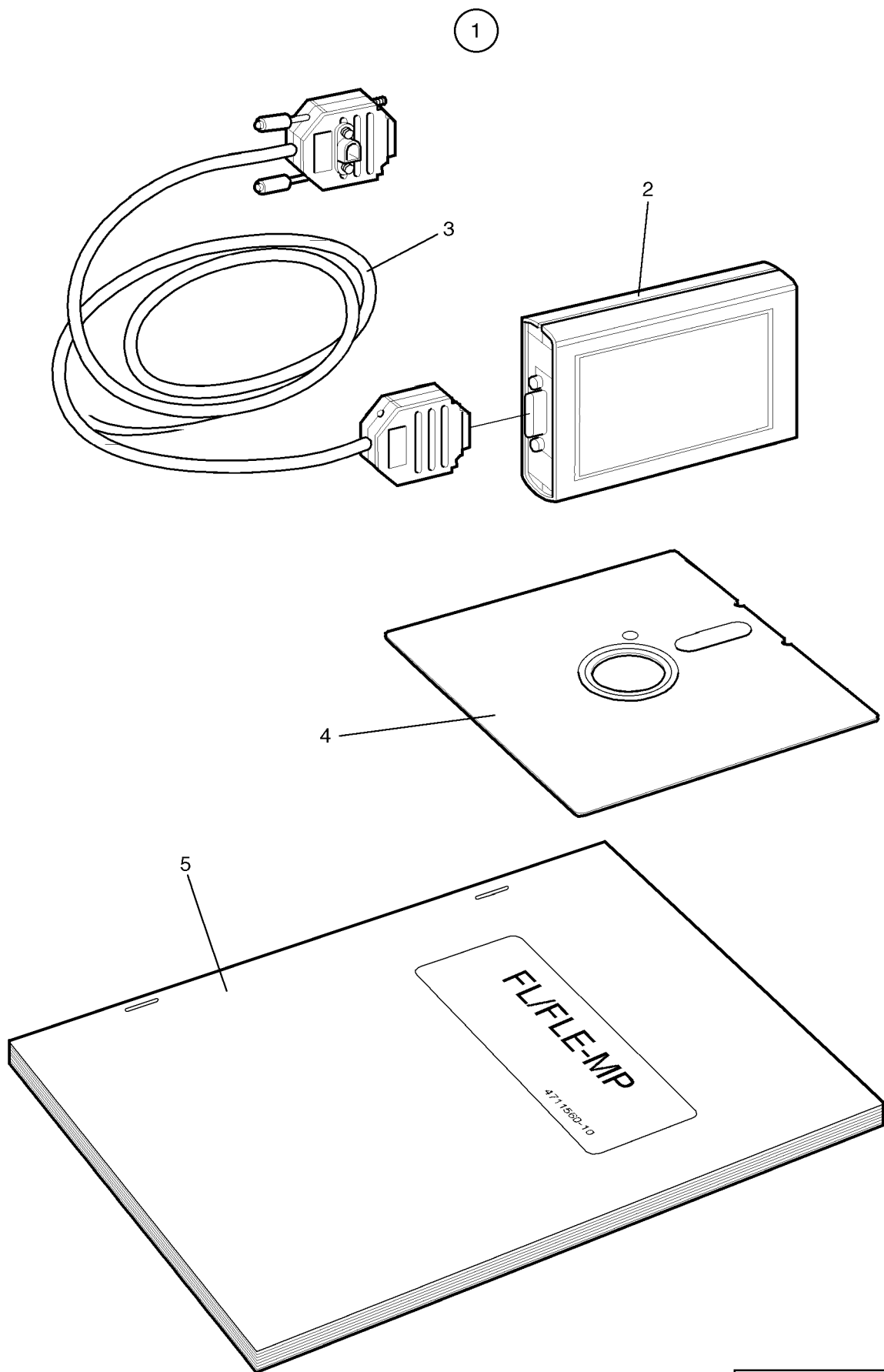
FL184

Card programmer

Plankortsautomat

Illustration Issue Month Year
Illustration Utgåva Månad År
100605/3 7 2 2003

Item Pos.	Qua. Ant.	Art.No Art.nr	Description	Benämning	Info Info	Notes Anmärkning
1	1	471 9207-07	12 Track Card programmer	12 Kanaler Plankortsautomat	1,2	50Hz Complete
	1	471 9207-08	Card programmer	Plankortsautomat	1,2	60Hz Complete
2	1	471 6753-60	•Motor	•Motor	1,2	50Hz With gear
	1	471 6753-61	•Motor	•Motor	1,2	60Hz With gear
3	1	471 9044-86	•Disc	•Skiva	1	60 SEC
4	1	471 9044-83	•Disc	•Skiva	1	30 SEC
5	1	471 6527-30	•Microswitch	•Microbrytare	1,2	
6	1	471 9008-30	•Program card	•Programkort	1,2	80 STEPS
	1	471 9200-78	•Program card	•Programkort	1,2	120 STEPS
7	1	471 6753-79	•Front panel	•Frontpanel	1	
8	12	471 6527-12	•Microswitch	•Microbrytare	1,2	
9	1	471 6754-63	•Knob	•Vred	1	
10	1	471 6754-64	•Frame	•Karm	1	WITH SCREW
11	1	471 6527-10	•Connector	•Anslutningsdon	3	FRONT
12	1	471 6527-11	•Connector	•Anslutningsdon	3	Rear
13	2	471 9017-12	•Screw	•Skruv	3	
14	1	471 6527-24	•Arm	•Arm	1	
15	1	471 6527-22	•Washer	•Bricka	3	
16	1	471 6527-21	•Arm	•Arm	1	
17	1	471 6527-29	•Spring	•Fjäder	1	
18	2	471 6527-26	•Wheel	•Hjul	1	
19	2	471 6527-32	•Screw	•Skruv	3	
20	2	471 9015-65	•Nut	•Mutter	3	M3
21	1	471 6527-28	•Spring	•Fjäder	1	
22	1	471 6901-54	•Cover	•Skydd	3	
23	1	471 6527-38	•Spring clips	•Fjäderbleck	3	
24	1	471 6527-35	•Catch	•Hake	3	Complete
25	1	471 6527-34	•Arm	•Arm	3	
26	1	471 6527-20	•Spring	•Fjäder	1	
27	2	471 6654-00	•Roller	•Vals	3	
28	2	471 6653-30	•Bearing cage	•Lagerhållare	3	
29	2	471 6653-31	•Spring	•Fjäder	1	
30	4	471 6653-32	•Bearing	•Lager	3	
31	1	735 3110-21	C-clamp	Spårring	3	
	1	471 9043-90	Test card	Testkort	3	NOT SHOWN
	1	471 8961-02	Pliers	Tång	1	NOT SHOWN
	RQ	471 6654-10	Pin	Stift	1	NOT SHOWN



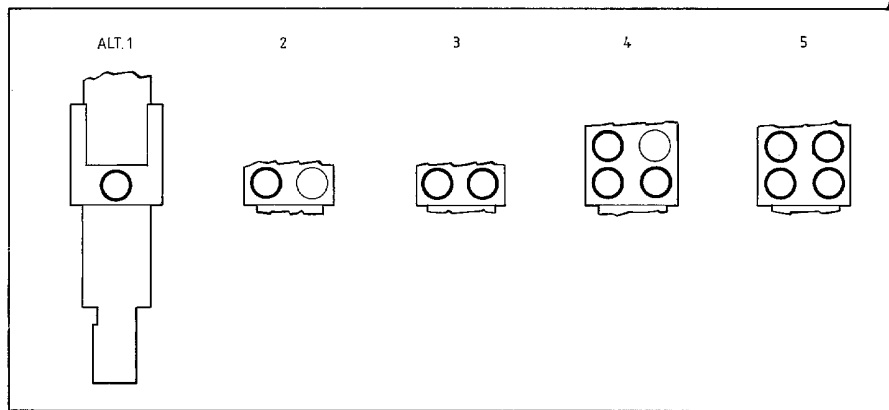
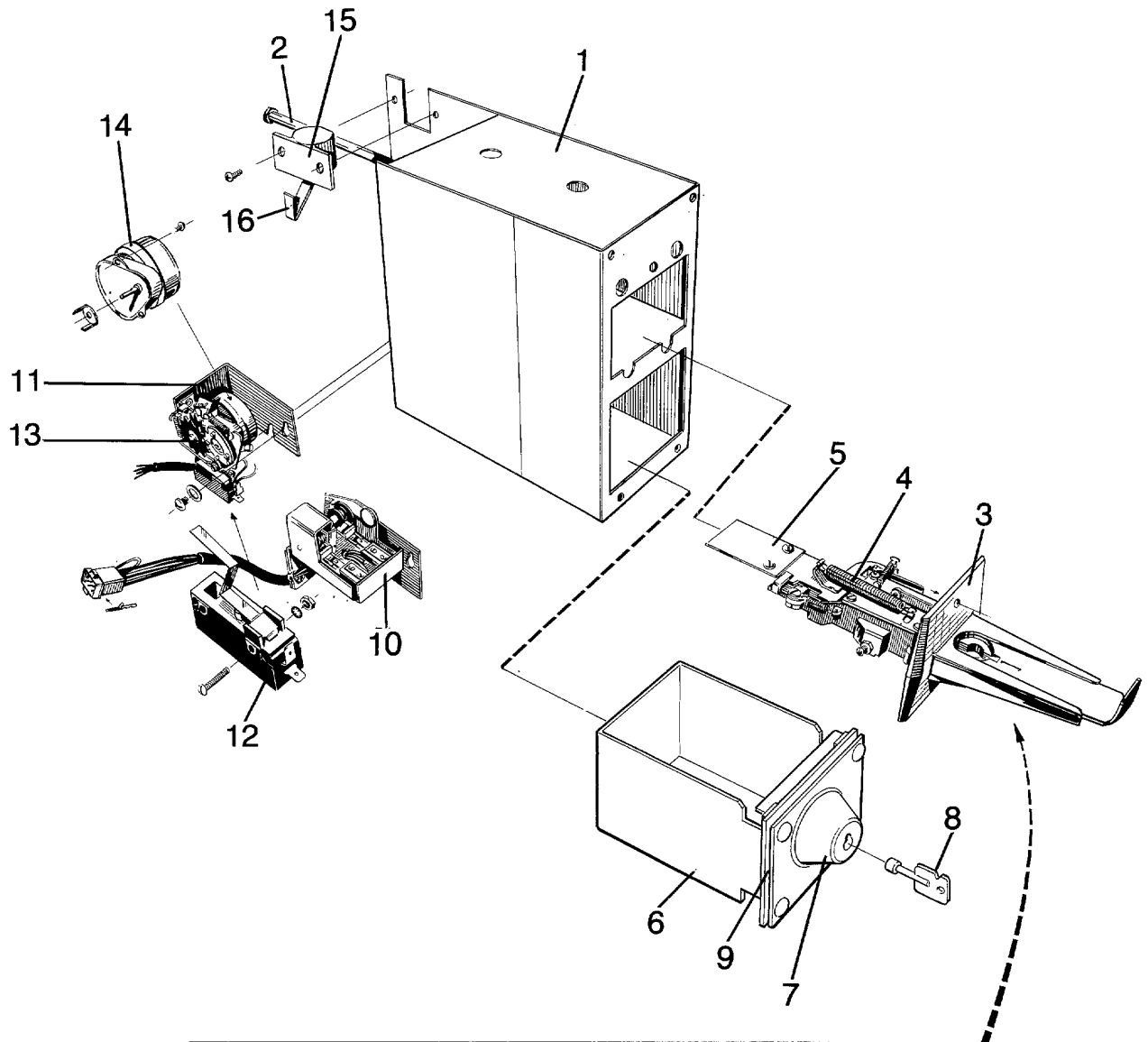
FL184MP

Memory cartridge complete

Minneskassett kompl.

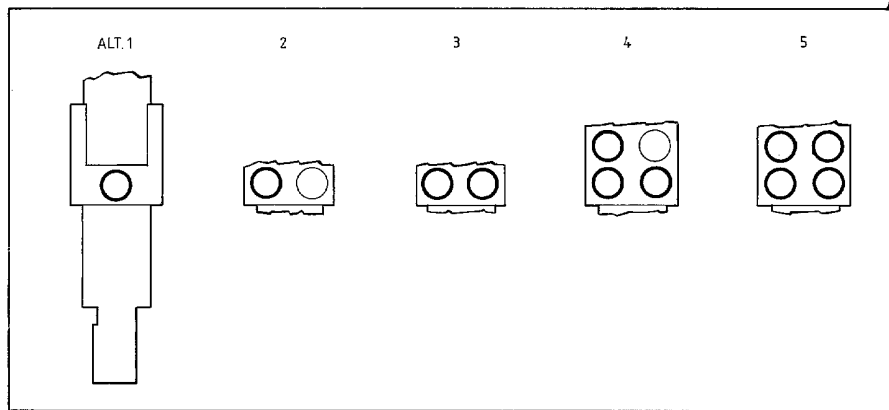
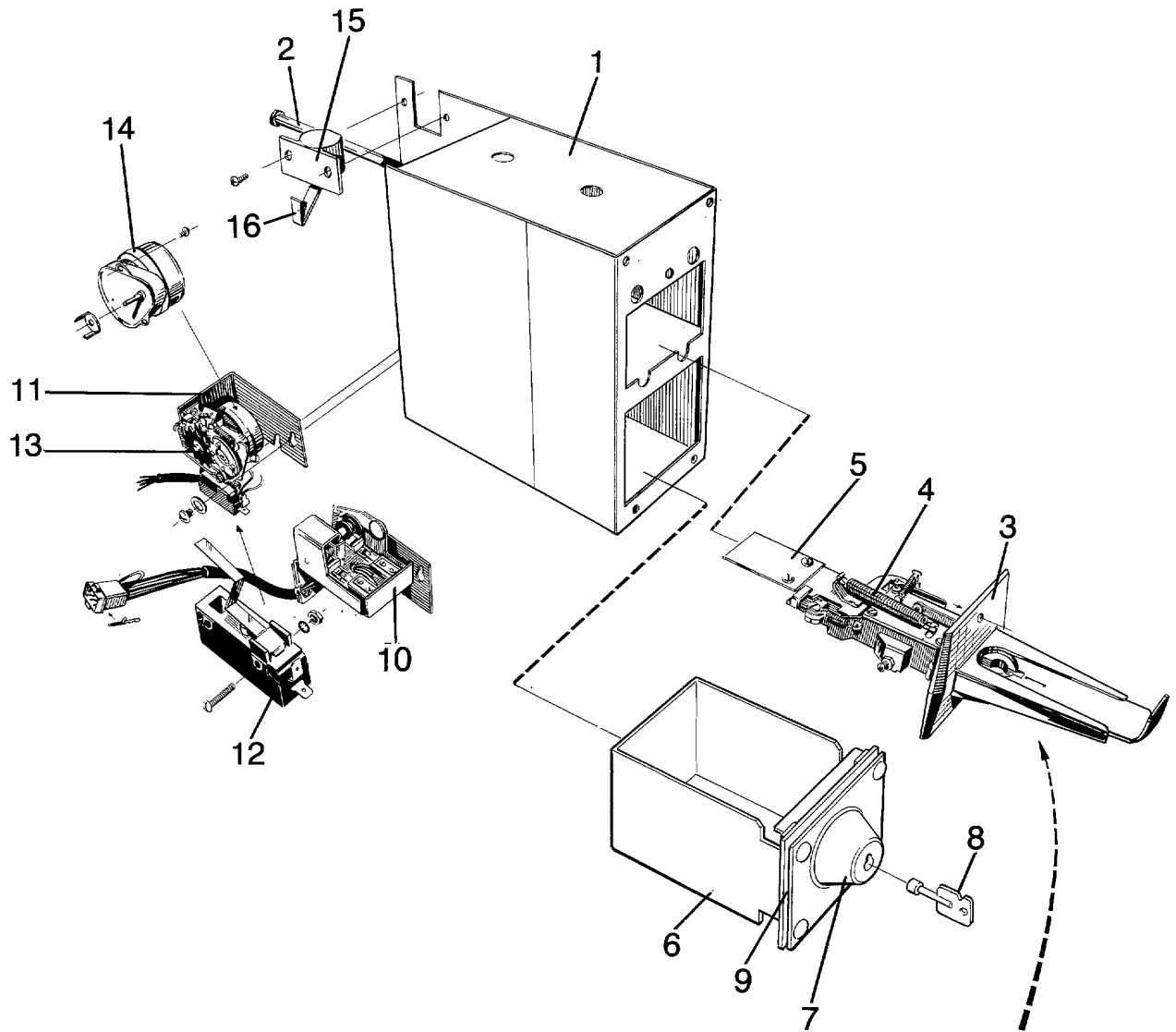
Illustration Issue Month Year
Illustration Utgåva Månad År
100826 4 11 1992

Item Pos.	Qua. Ant.	Art.No Art.nr	Description	Benämning	Info Info	Notes Anmärkning
1	1	472 9900-27	Memory cartridge	Minneskassett	3	Swedish
	1	472 9900-28	Memory cartridge	Minneskassett	3	English
	1	472 9900-29	Memory cartridge	Minneskassett	3	German
	1	472 9900-30	Memory cartridge	Minneskassett	3	French
	1	472 9900-31	Memory cartridge	Minneskassett	3	Norwegian
	1	472 9900-52	Memory cartridge	Minneskassett	3	Danish
	1	472 9900-53	Memory cartridge	Minneskassett	3	Spanish
	1	472 9900-54	Memory cartridge	Minneskassett	3	Finnish
	1	472 9900-76	Memory cartridge	Minneskassett	3	Dutch
	2	1	471 8980-01	•Cassette	•Kassett	3
3	1	471 7468-01	•Cable	•Kabel	3	
4	1	471 9533-02	•Diskette	•Diskett	3	
5	1	471 1560-10	•Instruction manual	•Handbok	3	Swedish
	1	471 1560-11	•Instruction manual	•Handbok	3	English
	1	471 1560-12	•Instruction manual	•Handbok	3	German
	1	471 1560-13	•Instruction manual	•Handbok	3	French
	1	471 1560-14	•Instruction manual	•Handbok	3	Spanish
	1	471 1560-15	•Instruction manual	•Handbok	3	Danish
	1	471 1560-16	•Instruction manual	•Handbok	3	Finnish
	1	471 1560-17	•Instruction manual	•Handbok	3	Norwegian
1	471 1560-18	•Instruction manual	•Handbok	3	Dutch	

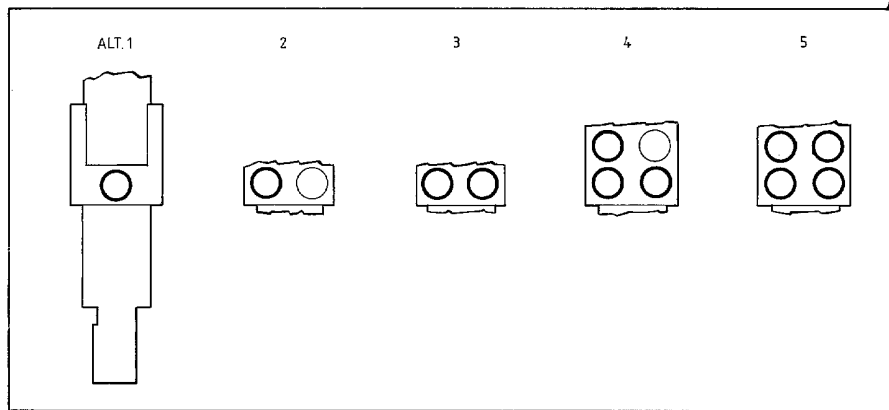
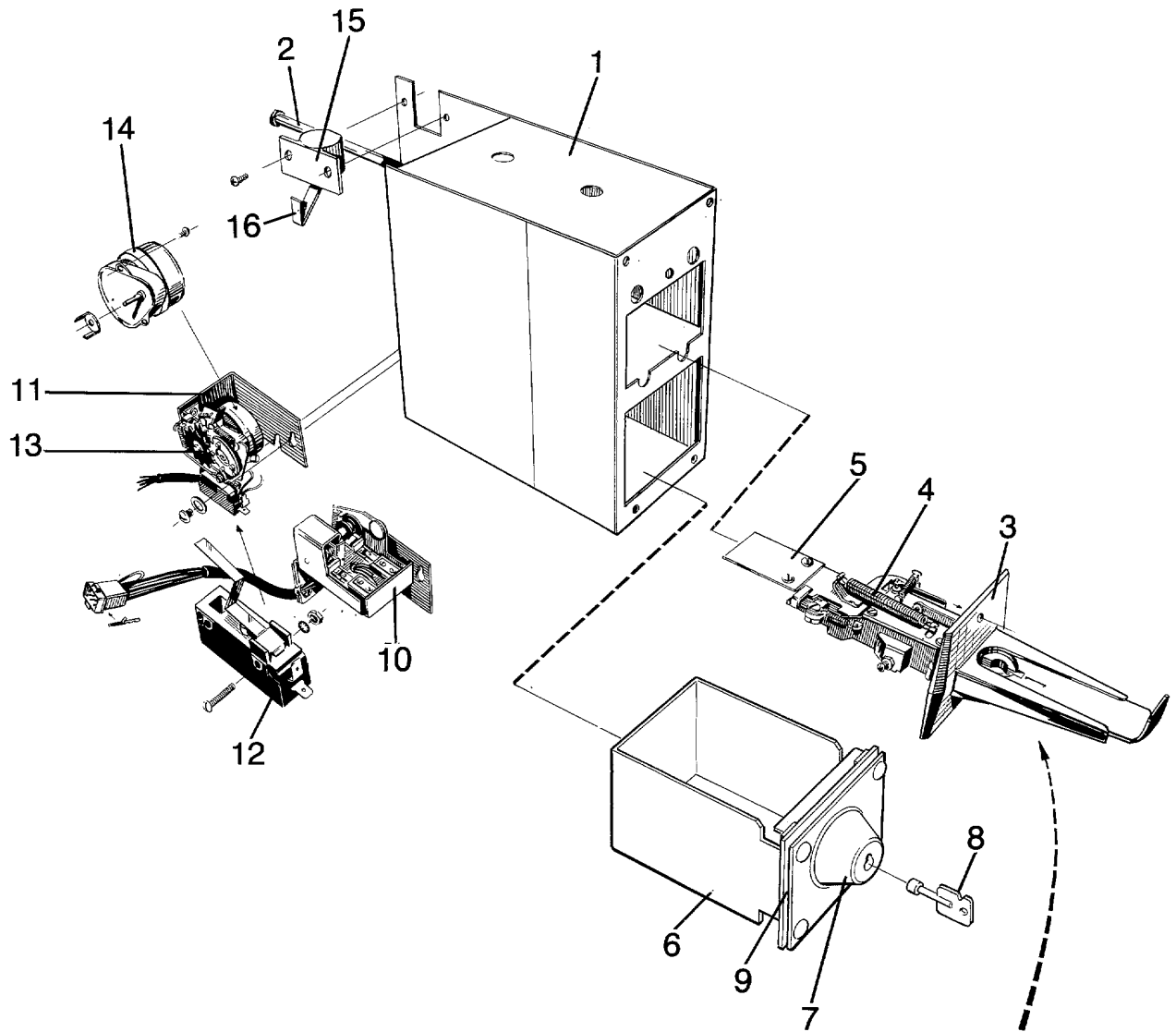


Issue	Month	Year
01	10	88

W184,W184MP					Illustration	Issue	Month	Year
Coin meter					Illustration	Utgåva	Månad	År
Myntmätare					100638	7	11	2002
Item Pos.	Qua. Ant.	Art.No Art.nr	Description	Benämning	Info Info	Notes Anmärkning		
1	1	471 8911-01	Cassette	Kassett	3			
2	1	471 2424-84	Screw	Skruv	3			
3	1	471 9030-68	Coin chute	Myntslid	1	1 SEK, ALT.1		
	1	471 9030-63	Coin chute	Myntslid	1	1 TOKEN 19,0X1,5 MM ALT. 1		
	1	471 9030-64	Coin chute	Myntslid	1	1 TOKEN 22,35X1,65 MM ALT.1		
	1	471 8901-27	Coin chute	Myntslid	1	5 SEK,ALT.1		
	1	471 9030-65	Coin chute	Myntslid	1	1 TOKEN 24,3X1,5MM TL. 1		
	1	471 9030-66	Coin chute	Myntslid	1	OWL,ALT.1		
	1	471 9201-52	Coin chute	Myntslid	1	BEAR,ALT.1		
	1	471 6753-03	Coin chute	Myntslid	1	5 NKR,ALT.1		
	1	471 8901-28	Coin chute	Myntslid	1	25 CENT TRINIDAD,ALT.1		
	1	471 8901-00	Coin chute	Myntslid	1	1 TOKEN 19,0X1,0 MM ALT. 1		
	1	471 8901-01	Coin chute	Myntslid	1	50 SEN MALAYSIA,ALT.1		
	1	471 8901-02	Coin chute	Myntslid	1	50 CENT SINGAPORE,ALT.1		
	1	471 8901-04	Coin chute	Myntslid	1	100 YEN,JAPAN,ALT.1		
	1	471 8901-10	Coin chute	Myntslid	1	1 TOKEN 23,7X1,6,ALT.1		
	1	471 8901-31	Coin chute	Myntslid	1	50 CENT NEW SINGAPORE, ALT.1		
	1	471 8901-13	Coin chute	Myntslid	1	1 TOKEN 22,5X2,2 MM ALT. 1		
	1	471 8901-19	Coin chute	Myntslid	1	TOKEN CORDES,28,0X1,8 MM ALT. 1		
	1	471 8901-24	Coin chute	Myntslid	1	ALT. 1		
	1	471 8901-09	Coin chute	Myntslid	1	50 SEN MALAYSIA,ALT.1		
	1	471 8901-03	Coin chute	Myntslid	1	1 DIRHAM VAE,ALT.2		
	1	471 8901-08	Coin chute	Myntslid	1	50 CENT,SINGAPORE,ALT.2		
	1	471 8901-17	Coin chute	Myntslid	1	20 CENT AUSTRALIA,ALT.2		
	1	471 6654-65	Coin chute	Myntslid	1	1 S/N KR,ALT.3		
	1	471 8901-05	Coin chute	Myntslid	1	50 SEN MALAYSIA,ALT.3		
	1	471 8901-14	Coin chute	Myntslid	1	5+1 NKR,ALT.3		
	1	471 8901-30	Coin chute	Myntslid	1	50+50 CENT NEWSINGAPORE,ALT.		
	1	471 8901-18	Coin chute	Myntslid	1	50 CENT,SINGAPORE,ALT.3		
	1	471 8901-21	Coin chute	Myntslid	1	10+1 NKR,ALT.3		
	1	471 8901-26	Coin chute	Myntslid	1	5 NKR,ALT.3		
	1	471 8901-06	Coin chute	Myntslid	1	1 S+50 CENT,MALAYSIAN, ALT.4		
	1	471 8901-25	Coin chute	Myntslid	1	5+1 NKR,ALT.4		
	1	471 8901-15	Coin chute	Myntslid	1	10 CENT,TAIWAN,ALT.5		
	1	471 8901-16	Coin chute	Myntslid	1	20 CENT,AUSTRALIA,ALT.5		
4	1	471 9030-54	•Spring	•Fjäder	1,2			
5	1	471 2416-90	Joint piece	Skarvstycke	3			
6	1	471 8900-01	Coin box	Myntlåda		GR1		
	1	471 8900-02	Coin box	Myntlåda	1	GR2		
	1	471 8900-03	Coin box	Myntlåda	1	GR3		
	1	471 8900-04	Coin box	Myntlåda	1	GR4		
	1	471 8900-05	Coin box	Myntlåda	1	GR5		
	1	471 8900-06	Coin box	Myntlåda	1	GR6		
	1	471 8900-07	Coin box	Myntlåda	1	GR7		
	1	471 8900-08	Coin box	Myntlåda	1	GR8		
	1	471 8900-09	Coin box	Myntlåda	1	GR9		
	1	471 8900-10	Coin box	Myntlåda	1	GR10		
	1	471 8900-11	Coin box	Myntlåda	1	GR11		
7	1	471 8900-50	•Front panel	•Frontplåt	3	GR1		
	1	471 8900-51	•Front panel	•Frontplåt	3	GR2		
	1	471 8900-52	•Front panel	•Frontplåt	3	GR3		
	1	471 8900-53	•Front panel	•Frontplåt	3	GR4		
	1	471 8900-54	•Front panel	•Frontplåt	3	GR5		
	1	471 8900-55	•Front panel	•Frontplåt	3	GR6		
	1	471 8900-56	•Front panel	•Frontplåt	3			
	1	471 8900-57	•Front panel	•Frontplåt	3	GR8		



W184,W184MP					Illustration	Issue	Month	Year	
Coin meter					Illustration	Utgåva	Månad	År	
Myntmätare					100638	7	11	2002	
Item Pos.	Qua. Ant.	Art.No Art.nr	Description	Benämning	Info Info	Notes Anmärkning			
8	1	471 8900-58	•Front panel	•Frontplåt	3	GR9			
	1	471 8900-59	•Front panel	•Frontplåt	3	GR10			
	1	471 8900-60	•Front panel	•Frontplåt	3	GR11			
	1		•Key	•Nyckel	1,2	Not available GR2			
	1	471 8900-13	•Key	•Nyckel	1,2	GR3			
	1	471 8900-14	•Key	•Nyckel	1,2	GR4			
	1	471 8900-15	•Key	•Nyckel	1,2	GR5			
	1	471 8900-16	•Key	•Nyckel	1,2	GR6			
	1	471 8900-17	•Key	•Nyckel	1,2	GR7			
	1	471 8900-18	•Key	•Nyckel	1,2	GR8			
	1	471 8900-19	•Key	•Nyckel	1,2	GR9			
9	1	471 8900-20	•Key	•Nyckel	1,2	GR10			
	1	471 8900-21	•Key	•Nyckel	1,2	GR11			
	1	471 8900-71	•Lock	•Lås	1	GR1			
	1	471 8900-72	•Lock	•Lås	1	GR2			
	1	471 8900-73	•Lock	•Lås	1	GR3			
	1	471 8900-74	•Lock	•Lås	1	GR4			
	1	471 8900-75	•Lock	•Lås	1	GR5			
	1	471 8900-76	•Lock	•Lås	1	GR6			
	1	471 8900-77	•Lock	•Lås	1	GR7			
	1	471 8900-78	•Lock	•Lås	1	GR8			
	1	471 8900-79	•Lock	•Lås	1	GR9			
10	1	471 8900-80	•Lock	•Lås	1	GR10			
	1	471 8900-81	•Lock	•Lås	1	GR11			
	1	471 8907-06	Mechanism for program connected coin meter	Mekanism för programkopplad myntmätare	1	120V 1 insert			
	1	471 8907-01	Mechanism for program connected coin meter	Mekanism för programkopplad myntmätare	1	220V 1 insert			
	1	471 8907-02	Mechanism for program connected coin meter	Mekanism för programkopplad myntmätare	1	220V 2 inserts			
	1	471 8907-03	Mechanism for program connected coin meter	Mekanism för programkopplad myntmätare	1	220V 3 inserts			
	1	471 8907-04	Mechanism for program connected coin meter	Mekanism för programkopplad myntmätare	1	220V 4 inserts			
	11	1	471 8907-50	Mechanism for time connected coin meter	Mekanism för tidkopplad mätare	1	220V 50Hz 3 HOURS,M1		
		1	471 8907-51	Mechanism for time connected coin meter	Mekanism för tidkopplad mätare	1	220V 50Hz 4 HOURS,M2		
		1	471 8907-62	Mechanism for time connected coin meter	Mekanism för tidkopplad mätare	1	220V 60Hz 2,4 HOURS,M3		
		1	471 8907-63	Mechanism for time connected coin meter	Mekanism för tidkopplad mätare	1	220V 60Hz 3,2 HOURS,M4		
12 13	1	471 9038-52	•Microswitch	•Microbrytare	1,2				
	1	471 9030-69	Time wheel	Tidhjul	1	20 MIN. M2			
	1		Time wheel	Tidhjul	1	16 MIN. M4			
	1		Time wheel	Tidhjul	1	15 MIN. M1			
	1		Time wheel	Tidhjul	1	12 MIN. M3			
	1		Time wheel	Tidhjul	1	24 MIN. M2			
	1		Time wheel	Tidhjul	1	19,2 MIN. M4			
	1		Time wheel	Tidhjul	1	18 MIN. M1			
	1		Time wheel	Tidhjul	1	14,4 MIN. M3			
	1	471 9059-37	Time wheel	Tidhjul	1	26,6 MIN. M2			
1		Time wheel	Tidhjul	1	21,3 MIN. M4				
1		Time wheel	Tidhjul	1	20 MIN. M1				



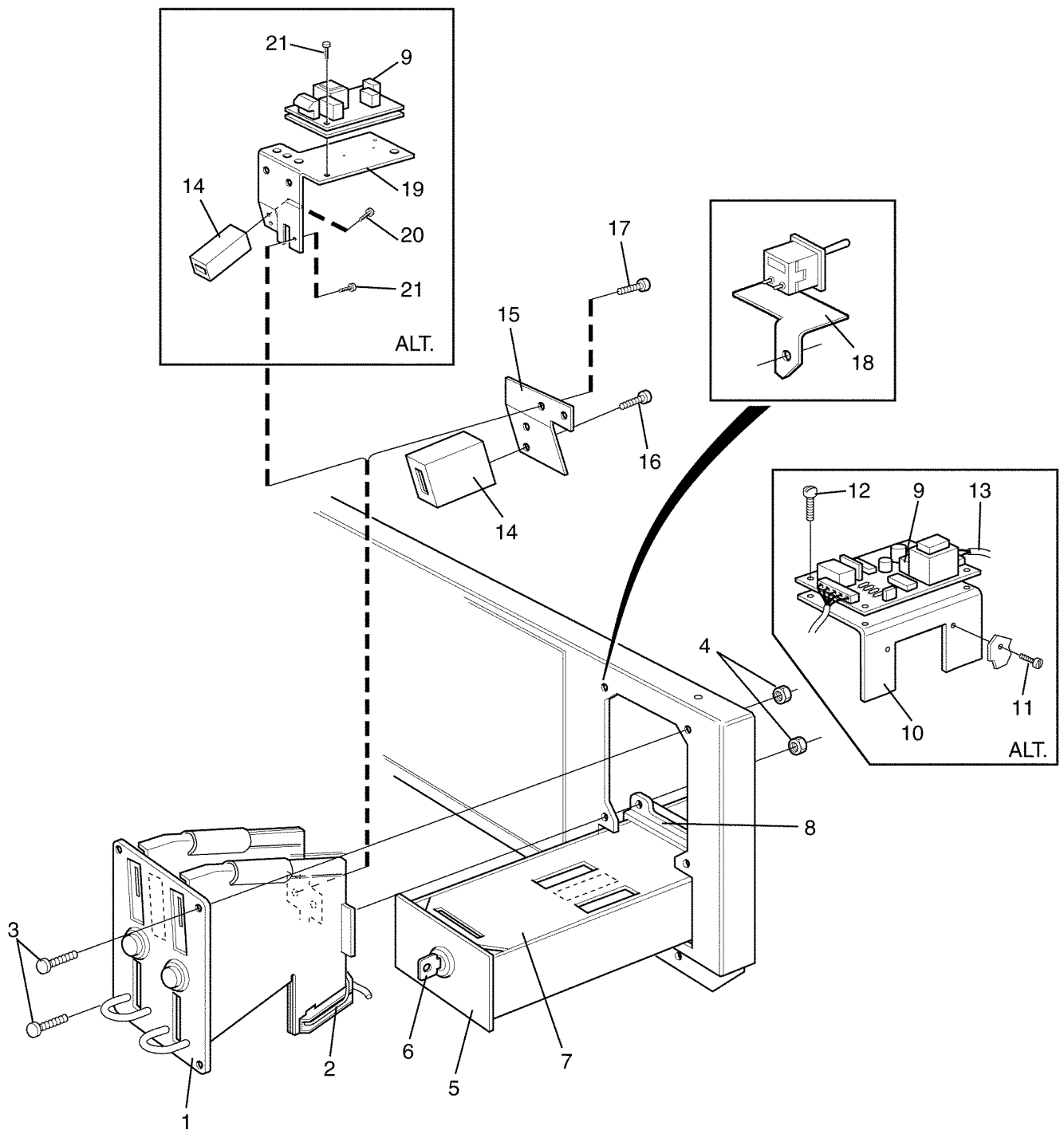
W184,W184MP

Coin meter

Myntmätare

Illustration Issue Month Year
Illustration Utgåva Månad År
100638 7 11 2002

Item Pos.	Qua. Ant.	Art.No Art.nr	Description	Benämning	Info Info	Notes Anmärkning
	1		Time wheel	Tidhjul	1	16 MIN. M3
	1	471 9030-70	Time wheel	Tidhjul	1	30 MIN. M2
	1		Time wheel	Tidhjul	1	24 MIN. M4
	1		Time wheel	Tidhjul	1	22,2 MIN. M1
	1		Time wheel	Tidhjul	1	18 MIN. M3
	1	471 9030-71	Time wheel	Tidhjul	1	40 MIN. M2
	1		Time wheel	Tidhjul	1	32 MIN. M4
	1		Time wheel	Tidhjul	1	30 MIN. M1
	1		Time wheel	Tidhjul	1	24 MIN. M3
	1	471 9059-38	Time wheel	Tidhjul	1	48 MIN. M2
	1		Time wheel	Tidhjul	1	38,4 MIN. M4
	1		Time wheel	Tidhjul	1	36 MIN. M1
	1		Time wheel	Tidhjul	1	28,8 MIN. M1
	1	471 9030-72	Time wheel	Tidhjul	1	60 MIN. M2
	1		Time wheel	Tidhjul	1	48 MIN. M4
	1		Time wheel	Tidhjul	1	45 MIN. M1
	1		Time wheel	Tidhjul	1	36 MIN. M3
	1	471 9043-88	Time wheel	Tidhjul	1	80 MIN. M2
	1		Time wheel	Tidhjul	1	64 MIN. M4
	1		Time wheel	Tidhjul	1	60 MIN. M1
	1		Time wheel	Tidhjul	1	48 MIN. M3
	1	471 9030-73	Time wheel	Tidhjul	1	120 MIN. M2
	1		Time wheel	Tidhjul	1	96 MIN. M4
	1		Time wheel	Tidhjul	1	90 MIN. M1
	1		Time wheel	Tidhjul	1	72 MIN. M3
	1	471 9059-39	Time wheel	Tidhjul	1	240 MIN. M2
	1		Time wheel	Tidhjul	1	192 MIN. M4
	1		Time wheel	Tidhjul	1	180 MIN. M1
	1		Time wheel	Tidhjul	1	144 MIN. M3



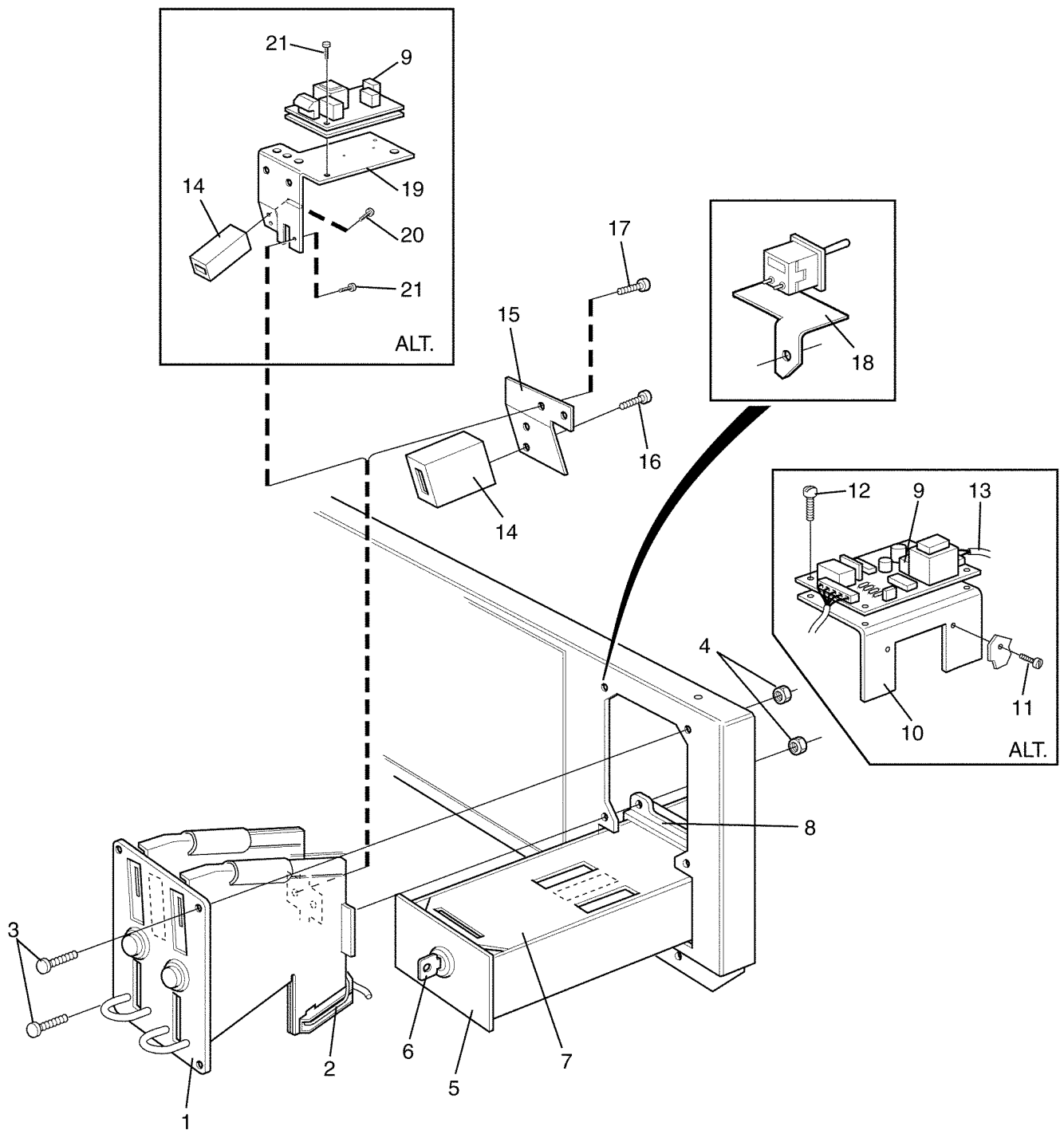
W184,W184MP

Electronic coin meter

Elektronisk myntmätare

Illustration Issue Month Year
Illustration Utgåva Månad År
100666/2 10 11 2002

Item Pos.	Qua. Ant.	Art.No Art.nr	Description	Benämning	Info Info	Notes Anmärkning
1	1	471 8910-02	Coin meter	Myntmätare	3	1 COIN, 1 SEK/NKR
	1	471 8910-03	Coin meter	Myntmätare	3	1 COIN, 1 DKR
	1	471 8910-04	Coin meter	Myntmätare	3	1 COIN, 5 NKR
	1	471 8910-07	Coin meter	Myntmätare	3	1 COIN, 100 YEN
	1	471 8910-08	Coin meter	Myntmätare	3	1 TOKEN 22,5X1,5 MM
	1	471 8910-09	Coin meter	Myntmätare	3	1 TOKEN, 22,35X1,6 MM
	1	471 8910-11	Coin meter	Myntmätare	3	1 TOKEN, 26,0X2,1 MM
	1	471 8910-12	Coin meter	Myntmätare	3	1 COIN, 10 DKR
	1	471 8910-17	Coin meter	Myntmätare	3	1 TOKEN, 19,0X1,0 MM
	1	471 8910-20	Coin meter	Myntmätare	3	1 TOKEN, 25,7X1,6 MM
	1	471 8910-21	Coin meter	Myntmätare	3	1 TOKEN, 24,3X1,5 MM
	1	471 8910-26	Coin meter	Myntmätare	3	1 TOKEN, 24,4X1,7 MM
	1	471 8910-25	Coin meter	Myntmätare	3	1 TOKEN, 19,0X1,5 MM
	1	471 8910-89	Coin meter	Myntmätare	3	1 TOKEN, NYBORG 22,5X2,0
	1	471 8910-06	Coin meter	Myntmätare	3	1 BATAK P
	1	471 8910-27	Coin meter	Myntmätare	3	5 DKR
	1	471 8910-85	Coin meter	Myntmätare	3	5 DKR NEW
	1	471 8910-29	Coin meter	Myntmätare	3	50 CENT MALAYSIA
	1	471 8910-33	Coin meter	Myntmätare	3	1 RAND
	1	471 8910-35	Coin meter	Myntmätare	3	1 IKR
	1	471 8910-36	Coin meter	Myntmätare	3	5 SEK
	1	471 8910-37	Coin meter	Myntmätare	3	50 NEW CENT SINGAPORE
	1	471 8910-38	Coin meter	Myntmätare	3	25 CENT US
	1	471 8910-58	Coin meter	Myntmätare	3	1 DOLLAR MACAU
	1	471 8910-62	Coin meter	Myntmätare	3	1 WON KOREA
	1	471 8910-70	Coin meter	Myntmätare	3	25 CENT CDN
	1	471 8910-73	Coin meter	Myntmätare	3	5 DOLLAR HONG KONG
	1	471 8910-74	Coin meter	Myntmätare	3	10 DOLLAR TAIWAN
	1	471 8910-79	Coin meter	Myntmätare	3	10 DKR
	1	471 8910-10	Coin meter	Myntmätare	3	1 TOKEN, 24,3X1,5 MM
	1	471 8910-13	Coin meter	Myntmätare	3	1 TOKEN, 28,8X1,9 MM
	1	471 8910-14	Coin meter	Myntmätare	3	1 TOKEN, 23,5X1,7 MM
	1	471 8910-15	Coin meter	Myntmätare	3	1 TOKEN, 27,4X1,6 MM
	1	471 8910-16	Coin meter	Myntmätare	3	1 TOKEN, 25,8X1,7 MM
	1	471 8910-22	Coin meter	Myntmätare	3	1 TOKEN 22,0X1,5 MM
	1	471 8910-30	Coin meter	Myntmätare	3	1 TOKEN 21,0X1,85 MM
	1	471 8910-31	Coin meter	Myntmätare	3	1 TOKEN 23,1X1,1 MM EL-COIN
	1	471 8910-34	Coin meter	Myntmätare	3	1 TOKEN 24,3X1,5 MM SPORRONG
	1	471 8910-39	Coin meter	Myntmätare	3	1 TOKEN 23,7X1,6 MM
	1	471 8910-57	Coin meter	Myntmätare	3	1 TOKEN, MÜLLER, 25,2 MM
	1	471 8910-59	Coin meter	Myntmätare	3	1 TOKEN, MICROMATIC 24, 4X1,8
	1	471 8910-92	Coin meter	Myntmätare	3	1 TOKEN 25,0X1,85 MM EL-COIN 2KWH
	1	471 8910-93	Coin meter	Myntmätare	3	1 TOKEN 23,8X1,8 MM EL-COIN 1KWH
	1	471 8910-24	Coin meter	Myntmätare	3	1 TOKEN 25,0X1,8 MM SAB
	1	471 8910-41	Coin meter	Myntmätare	3	2 COINS, 10+25 CENT US
	1	471 8910-42	Coin meter	Myntmätare	3	2 COINS, 10+50 NEW PENCE GB
	1	471 8910-43	Coin meter	Myntmätare	3	2 COINS 1+5 DKR
	1	471 8910-86	Coin meter	Myntmätare	3	2 COINS 1+5 DKR NEW
	1	471 8910-44	Coin meter	Myntmätare	3	2 COINS, 1+5 NKR
	1	471 8910-45	Coin meter	Myntmätare	3	2 COINS, 1+10 NKR
	1	471 8910-48	Coin meter	Myntmätare	3	2 COINS, 25+25 CENT US
1	471 8910-49	Coin meter	Myntmätare	3	2 COINS 5+10 NKR	
1	471 8910-51	Coin meter	Myntmätare	3	2 COINS, 50+10 YEN	



W184,W184MP

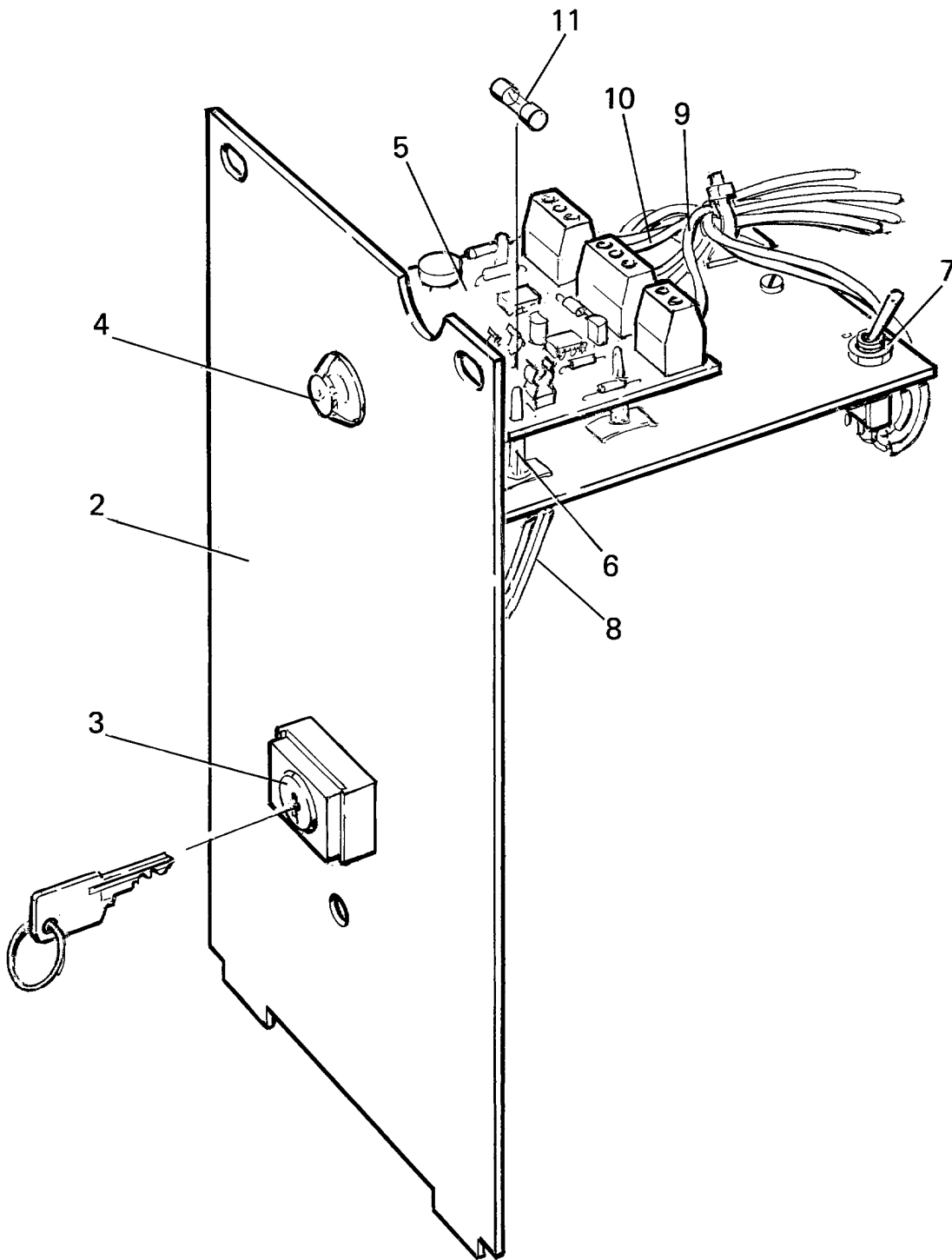
Electronic coin meter

Elektronisk myntmätare

Illustration Issue Month Year
Illustration Utgåva Månad År
100666/2 10 11 2002

Item Pos.	Qua. Ant.	Art.No Art.nr	Description	Benämning	Info Info	Notes Anmärkning
	1	471 8910-54	Coin meter	Myntmätare	3	2 COINS, 1+5 SEK
	1	471 8910-55	Coin meter	Myntmätare	3	2 COINS, 10 PENCE+1£ GB
	1	471 8910-56	Coin meter	Myntmätare	3	2 COINS, 20+50 PENCE GB
	1	471 8910-66	Coin meter	Myntmätare	3	2 COINS, 20 PENCE+1£ GB
	1	471 8910-75	Coin meter	Myntmätare	3	50 PENCE+1£ GB
	1	471 8910-77	Coin meter	Myntmätare	3	2 COINS, 5+10 DKR
	1	471 8910-87	Coin meter	Myntmätare	3	2 COINS 5+10 DKR NEW
	1	471 8910-81	Coin meter	Myntmätare	3	2 COINS, 1+10 DKR
	1	471 8910-82	Coin meter	Myntmätare	3	2 COINS 5+10 NKR
	1	471 8910-84	Coin meter	Myntmätare	3	2 COINS, 100+500 YEN
	1	471 8919-01	Coin meter	Myntmätare	3	2 coins, 100+500 Yen
2	2	471 8910-91	Sensor	Avkännare	1,2	
3	4	471 8910-90	Screw	Skruv	3	
4	4	731 2312-01	Nut	Mutter	3	M4
5	1	471 4591-01	Coin box	Myntlåda	3	Complete
6	1	471 7829-01	Lock	Lås	1	
7	1	471 4592-01	Cover	Lock	3	
	1	471 4592-02	Cover	Lock	3	
8	1	471 4596-01	Frame	Ram	3	
9	1	471 8966-01	Counter	Räkneenhet	1	1 Coin
	1	471 8966-02	Counter	Räkneenhet	1	2 Coins
	1	471 8966-03	Counter	Räkneenhet	1	120V ET-1311, 1 COIN
	1	471 8966-04	Counter	Räkneenhet	1	120V ET-1312, 2 COINS
	1	471 8966-05	Counter	Räkneenhet	1	220V ET-1312/2, 2 COINS
	1	471 8966-06	Counter	Räkneenhet	1	120V ET-1312/2, 2 COINS
	1	471 8966-07	Counter	Räkneenhet	1	220V ET-1312/3, 2 COINS
10	1	471 4707-01	Bracket	Konsol	3	OLD DESIGN
11	2	725 2289-61	Screw	Skruv	3	M4X10
12	1	471 4878-26	Cable set	Ledningssats	3	1 COIN
	1	471 4878-24	Cable set	Ledningssats	3	2 COINS
13	1	471 4878-25	Connection	Anslutning	3	
14	1	472 7744-01	Coin counter	Mynträknare	1	220V
15	1	471 4763-01	Bracket	Fäste	3	
16	2	724 1218-01	Screw	Skruv	3	MRX 3X4
17	2	729 5225-01	Screw	Skruv	3	RXS B4X9,5
18	1	471 4766-01	Switch	Brytare	3	COMPL.GEN II
	1	471 4766-02	Switch	Brytare	3	COMPL.GEN III
19	1	438 0286-01	Bracket	Konsol	3	
20	2	724 1218-01	Screw	Skruv	3	MRX 3X4
21	3	724 1226-61	Screw	Skruv	3	M3X12

1



100966

Issue	Month	Year
02	05	92

W184MP

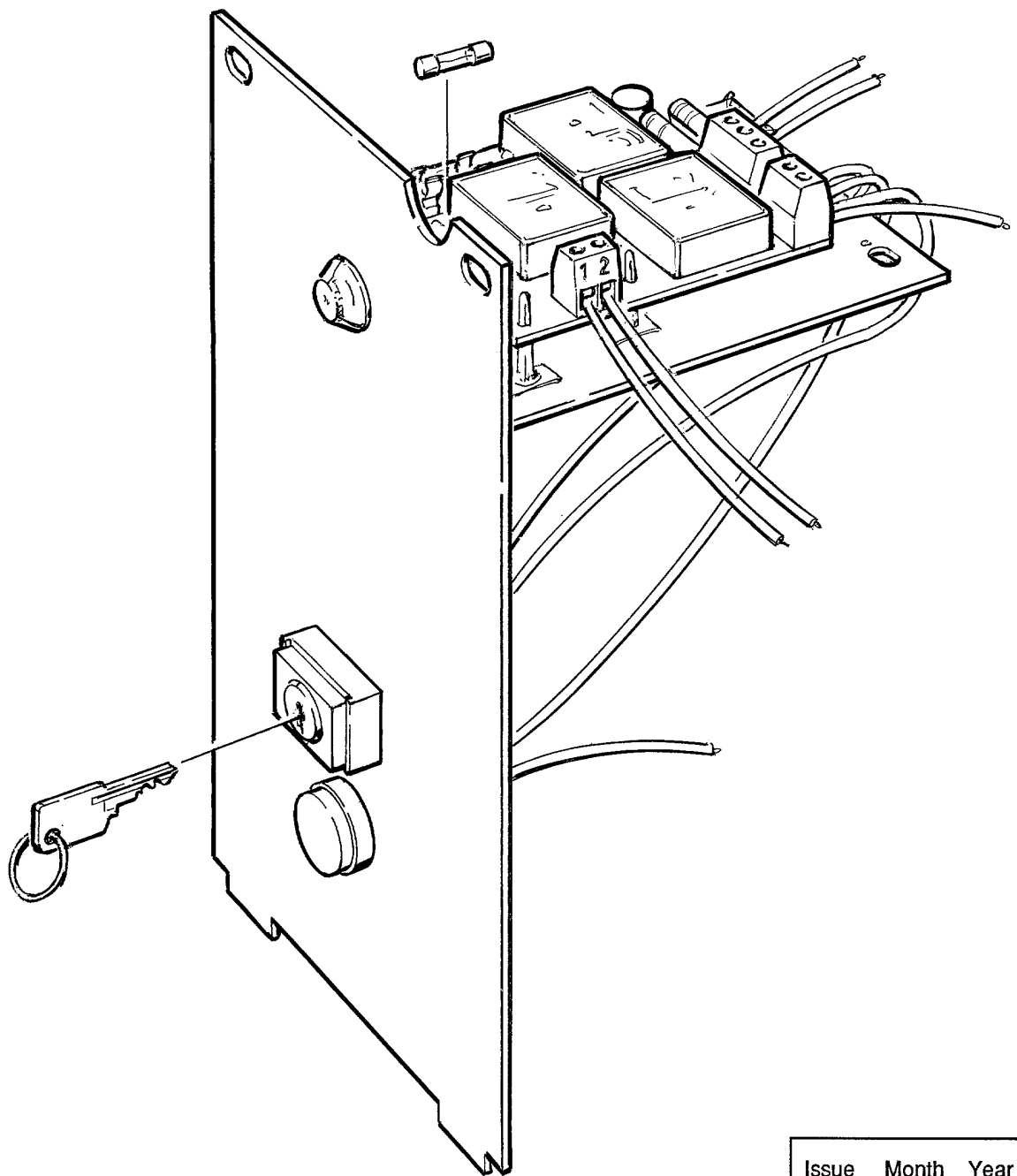
CP800

CP800

Illustration	Issue	Month	Year
Illustration	Utgåva	Månad	År
100966	3	4	1996

Item Pos.	Qua. Ant.	Art.No Art.nr	Description	Benämning	Info Info	Notes Anmärkning
1	1	471 4713-01	Conversion kit	Ombyggnadssats	1	PE, W74-184
	1	472 8999-01	Conversion kit	Ombyggnadssats	1	PE, WE65 -91/25910
	1	472 8999-02	Conversion kit	Ombyggnadssats	1	PE, WE65 91/25910-
	1	472 8999-01	Conversion kit	Ombyggnadssats	1	PE, WE105
2	1	438 0333-33	•Cover	•Lock	3	
3	1	471 9646-02	•Key switch	•Nyckelbrytare	1,2	
4	1	736 1802-01	•Glass	•Glas	1	Red
5	1	471 4731-02	•Printed circuit board	•Kretskort	1,2	
6	4	471 7958-01	•Support	•Stöd	3	
7	1	471 9629-02	•Switch	•Brytare	1,2	

1



100967

Issue	Month	Year
01	08	91

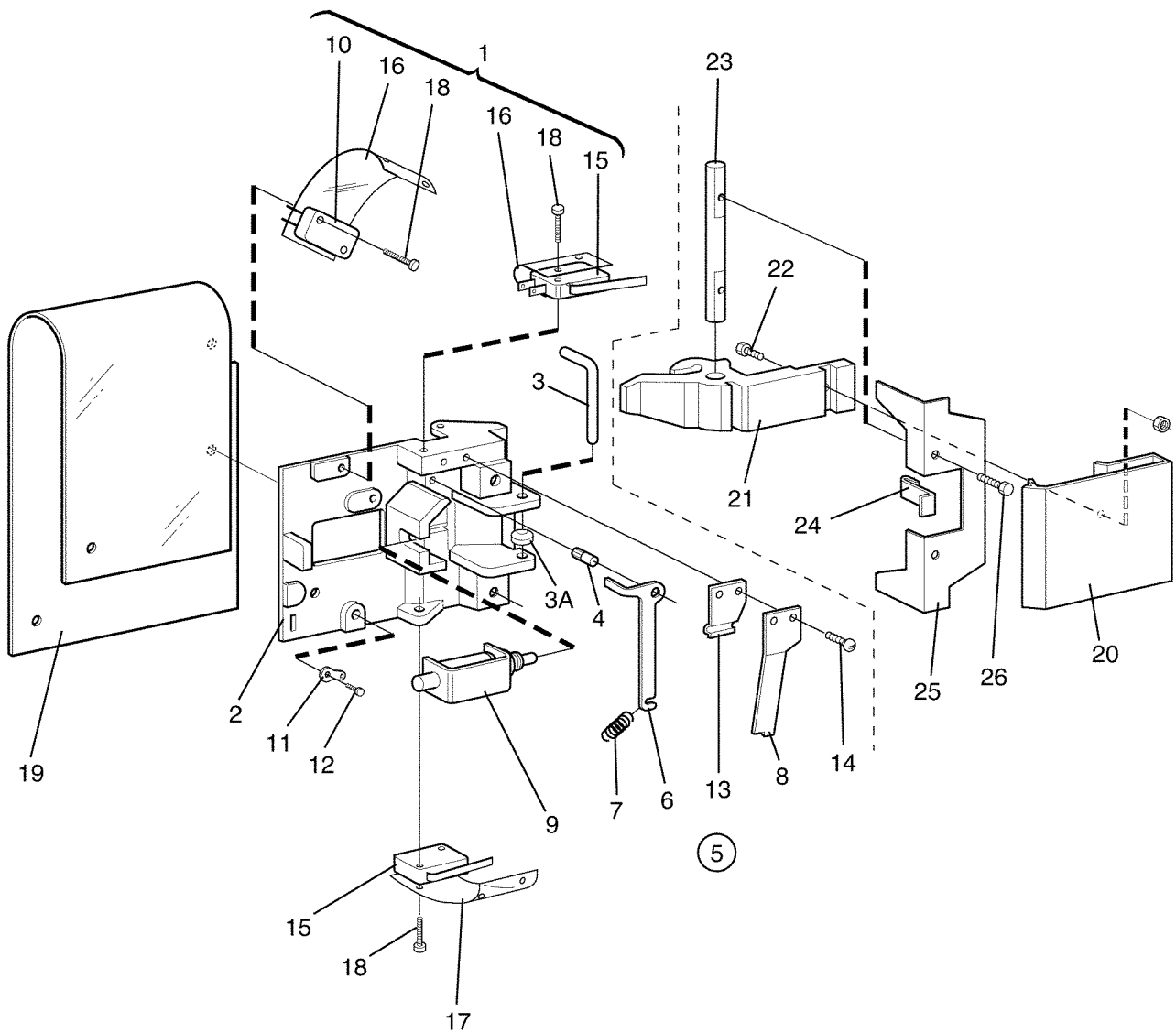
W184,W184MP

CP800

CP800

Illustration	Issue	Month	Year
Illustration	Utgåva	Månad	År
100967	3	1	1994

Item Pos.	Qua. Ant.	Art.No Art.nr	Description	Benämning	Info Info	Notes Anmärkning
1	1	471 4748-01	Conversion kit	Ombyggnadssats	1	P02, W74-184
	1	472 8999-10			1	P02, P22, WE65-105
	1	471 4747-01			1	P01,W74-184
	1	487 1202-00			1	P01,WE65-105



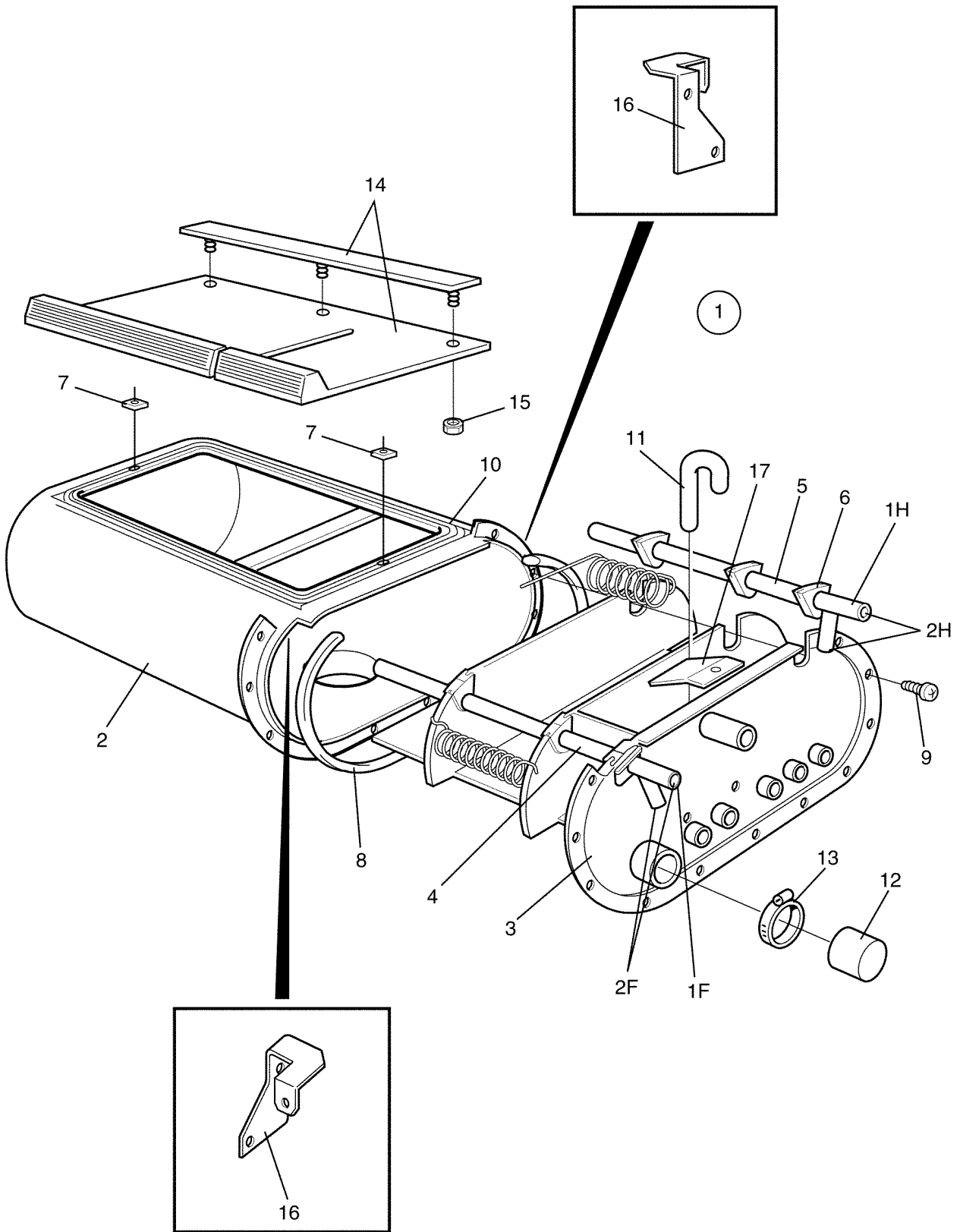
W184,W184MP,FL184,FL184MP

Door lock

Illustration Issue Month Year
Illustration Utgåva Månad År
100613 7 5 2002

Lucklås

Item Pos.	Qua. Ant.	Art.No Art.nr	Description	Benämning	Info Info	Notes Anmärkning
1	1	471 2487-11	Door locking device	Lucklås	1,2	Complete
2	1	471 2486-01	•Mounting plate	•Monteringsplåt	3	
3	1	471 7901-00	•Shaft	•Axel	3	
3A	1	471 4651-33	•Disc	•Skiva	3	
4	1	471 7902-00	•Pin	•Tapp	3	
5	1	472 9900-75	•Lock catch	•Låshake	1,2	COMPL. KIT
6	1		••Lock catch	••Låshake	1	
7	1		••Spring	••Fjäder	1,2	
8	1		••Spring	••Fjäder	3	
9	1	471 9555-03	••Coil	••Spole	1,2	
10	1	471 9603-04	••Microswitch	••Microbrytare	1,2	
11	1	471 8508-00	•Bracket	•Fäste	3	
12	1	471 8341-11	•Screw	•Skruv	3	MRT 4X6
13	1	471 2481-00	•Washer	•Mellanlägg	3	
14	2	725 2224-61	•Screw	•Skruv	3	M6SF-TT 3X10
15	2	471 9603-13	•Microswitch	•Microbrytare	1,2	
16	2	471 4564-01	•Insulator	•Skyddsplatta	3	
17	1	471 2536-00	•Safety lid	•Skyddskåpa	3	
18	6	471 8341-05	•Screw	•Skruv	3	MRT 3X16
19	1	471 4565-01	•Safety lid	•Skyddskåpa	3	
20	1	471 2480-00	Handle	Handtag	1	
21	1	471 2485-00	Lock handle	Låshandtag	1	
22	1	725 2285-42	Screw	Skruv	3	M4X6
23	1	471 2479-00	Shaft	Axel	1	
24	1	471 7806-00	Spring	Fjäder	1,2	
25	1	471 2484-00	Clamp	Bygel	3	
26	2	471 8324-01	Screw	Skruv	3	M6 5X11



W184,W184MP,FL184,FL184MP

Detergent container

Tvättmedelsbehållare

Illustration Issue Month Year
Illustration Utgåva Månad År
100634 8 4 1996

Item Pos.	Qua. Ant.	Art.No Art.nr	Description	Benämning	Info Info	Notes Anmärkning
1						MED SKRUV I TOPPLOCKET WITH SCREW IN TOP PANEL
	1	472 6001-51	Detergent container	Tvättmedelsbehållare	1,2	1F-1H
	1	472 6001-52	Detergent container	Tvättmedelsbehållare	1,2	1F-2H
	1	472 6001-53	Detergent container	Tvättmedelsbehållare	1,2	2F-1H
2	1	472 6002-05	•Shell	•Hölje	1	
3	1	472 6003-01	•Box	•Låda	1	
4	1	472 6005-10	•Spray head	•Spridare	1	1F 1F
	1	472 6005-11	•Spray head	•Spridare	1	2F 2F
5	1	472 6005-01	•Spray head	•Spridare	1	1H 1H
	1	472 6005-02	•Spray head	•Spridare	1	2H 2H
6	6	472 6004-01	Grommet	Genomföring	3	
7	2	471 8401-01	•Nut	•Mutter	3	M4
8	1	471 8163-01	•Gasket	•Packning	1	
9	11	471 8346-01	•Screw	•Skruv	3	
10	1	438 0460-02	•Gasket	•Packning	1,2	
11	1	472 6006-01	•Siphon	•Hävert	1,2	
12	1	471 8644-03	Hood	Huv	3	
13	1	736 2828-51	Hose clamp	Slangklämma	3	
14	1	472 9902-59	Cover	Lock	1,2	
15	3	731 2314-42	•Nut	•Mutter	3	M4
16	2	438 4139-01	Bracket	Fäste	3	W/FL 184-244
17	1	472 6756-01	Plate	Plåt	3	

Numerical index/Nummerregister

Art.No/Art.nr	Page/Sida	Art.No/Art.nr	Page/Sida	Art.No/Art.nr	Page/Sida	Art.No/Art.nr	Page/Sida
438 0076-01	21	471 2401-52	77	471 2441-44	53	471 2916-01	57
438 0076-01	23	471 2401-52	79	471 2448-41	77	471 2916-02	57
438 0076-01	27	471 2401-52	83	471 2448-41	79	471 2916-04	57
438 0076-01	29	471 2410-22	57	471 2448-41	83	471 2916-05	57
438 0076-01	31	471 2413-04	7	471 2449-97	79	471 2937-01	61
438 0076-01	35	471 2413-21	57	471 2451-81	53	471 2937-01	63
438 0076-01	37	471 2413-35	7	471 2453-06	15	471 2937-01	65
438 0076-01	87	471 2413-35	11	471 2459-37	53	471 2937-01	67
438 0078-01	7	471 2415-71	15	471 2459-60	81	471 2937-01	69
438 0078-01	13	471 2416-90	113	471 2459-67	81	471 2937-01	71
438 0127-01	59	471 2420-47	53	471 2461-21	63	471 2937-01	73
438 0145-07	59	471 2422-19	91	471 2461-21	65	471 2937-01	75
438 0286-01	121	471 2422-20	91	471 2461-21	67	471 2938-01	65
438 0333-33	123	471 2424-84	113	471 2461-80	9	471 2938-01	67
438 0456-01	53	471 2430-25	77	471 2461-80	13	471 2938-01	69
438 0457-01	53	471 2430-26	77	471 2461-80	15	471 2938-01	71
438 0458-01	53	471 2430-27	77	471 2469-27	17	471 2938-01	73
438 0459-01	53	471 2431-28	15	471 2470-39	17	471 2946-01	79
438 0460-02	129	471 2431-29	15	471 2470-40	17	471 2948-01	83
438 0466-02	53	471 2432-25	53	471 2470-80	17	471 2958-01	53
438 4009-01	49	471 2432-25	81	471 2472-53	17	471 2960-03	53
438 4009-01	51	471 2432-62	7	471 2474-02	7	471 4009-53	17
438 4009-02	49	471 2432-62	11	471 2474-02	11	471 4009-80	17
438 4009-02	51	471 2433-01	57	471 2479-00	15	471 4109-28	15
438 4100-01	53	471 2433-02	53	471 2479-00	127	471 4427-03	19
438 4101-01	53	471 2433-12	7	471 2480-00	15	471 4427-04	19
438 4139-01	9	471 2433-12	11	471 2480-00	127	471 4437-01	57
438 4139-01	13	471 2433-14	55	471 2480-01	15	471 4445-01	79
438 4139-01	129	471 2433-14	77	471 2481-00	127	471 4445-01	83
438 4140-01	9	471 2433-14	79	471 2484-00	15	471 4445-02	79
438 4140-01	13	471 2433-14	83	471 2484-00	127	471 4445-02	83
438 9636-02	85	471 2434-68	77	471 2485-00	15	471 4482-01	19
438 9636-02	91	471 2434-69	77	471 2485-00	127	471 4500-01	23
438 9636-02	93	471 2434-70	77	471 2486-01	127	471 4500-01	43
438 9636-02	95	471 2437-15	7	471 2487-10	15	471 4501-01	23
438 9636-03	85	471 2437-15	11	471 2487-11	127	471 4501-01	43
438 9636-03	89	471 2437-52	15	471 2488-01	15	471 4502-01	23
438 9636-03	91	471 2437-53	15	471 2490-00	15	471 4502-01	43
438 9636-03	93	471 2437-54	15	471 2491-00	15	471 4513-08	35
438 9636-03	95	471 2437-72	65	471 2536-00	127	471 4513-09	21
471 1560-10	111	471 2437-72	67	471 2539-00	53	471 4513-09	23
471 1560-11	111	471 2438-14	7	471 2574-02	53	471 4513-09	31
471 1560-12	111	471 2438-14	11	471 2903-01	97	471 4513-10	43
471 1560-13	111	471 2438-55	9	471 2904-01	9	471 4513-11	43
471 1560-14	111	471 2438-55	13	471 2904-01	13	471 4513-20	39
471 1560-15	111	471 2438-55	17	471 2906-01	53	471 4513-20	41
471 1560-16	111	471 2438-58	15	471 2906-02	53	471 4513-29	21
471 1560-17	111	471 2438-71	7	471 2907-01	57	471 4513-29	25
471 1560-18	111	471 2438-71	11	471 2908-01	97	471 4513-29	31
471 1638-00	53	471 2438-72	7	471 2909-01	9	471 4513-31	45
471 1832-01	53	471 2438-72	11	471 2909-01	13	471 4513-33	45
471 2059-18	53	471 2438-73	7	471 2909-01	81	471 4514-03	57
471 2072-98	53	471 2438-74	7	471 2915-02	7	471 4514-07	57
471 2074-85	53	471 2438-74	11	471 2915-03	7	471 4514-12	57
471 2074-88	53	471 2438-75	7	471 2915-04	7	471 4516-01	57
471 2078-43	53	471 2438-76	11	471 2915-04	11	471 4516-03	57
471 2078-44	53	471 2440-01	81	471 2915-05	7	471 4518-25	15
471 2094-92	65	471 2440-10	53	471 2915-06	7	471 4518-26	15
471 2095-32	53	471 2440-12	53	471 2915-07	7	471 4518-31	15
471 2095-62	9	471 2440-13	81	471 2915-08	7	471 4518-31	19
471 2095-62	13	471 2440-36	55	471 2915-09	7	471 4518-36	15
471 2098-71	7	471 2440-37	55	471 2915-09	11	471 4518-37	15
471 2098-71	11	471 2441-05	83	471 2915-10	7	471 4521-01	57
471 2265-69	55	471 2441-06	9	471 2915-11	11	471 4521-01	97
471 2334-73	77	471 2441-06	13	471 2915-14	11	471 4523-01	33
471 2401-52	55	471 2441-28	83	471 2915-15	11	471 4523-03	21

Numerical index/Nummerregister

Art.No/Art.nr	Page/Sida	Art.No/Art.nr	Page/Sida	Art.No/Art.nr	Page/Sida	Art.No/Art.nr	Page/Sida
471 4523-05	21	471 4526-09	35	471 4526-35	31	471 4527-70	45
471 4524-01	33	471 4526-10	21	471 4526-35	35	471 4529-01	29
471 4525-05	23	471 4526-10	23	471 4526-35	37	471 4529-01	37
471 4525-05	25	471 4526-10	25	471 4526-36	21	471 4529-02	57
471 4525-12	23	471 4526-10	29	471 4526-36	25	471 4548-51	15
471 4525-12	25	471 4526-10	31	471 4526-36	29	471 4548-53	17
471 4525-14	23	471 4526-10	35	471 4526-36	31	471 4548-54	15
471 4525-14	25	471 4526-10	37	471 4526-36	35	471 4548-55	17
471 4525-17	23	471 4526-11	21	471 4526-36	37	471 4548-56	17
471 4525-17	25	471 4526-11	23	471 4526-37	21	471 4550-01	79
471 4525-18	23	471 4526-11	25	471 4526-37	25	471 4550-01	83
471 4525-18	27	471 4526-11	31	471 4526-37	29	471 4550-02	79
471 4525-34	25	471 4526-11	35	471 4526-37	31	471 4550-02	83
471 4525-34	37	471 4526-12	21	471 4526-37	35	471 4551-01	79
471 4525-37	25	471 4526-12	23	471 4526-37	37	471 4551-01	83
471 4525-37	37	471 4526-12	25	471 4526-38	21	471 4555-01	7
471 4525-38	25	471 4526-12	31	471 4526-38	25	471 4555-01	13
471 4525-38	37	471 4526-12	35	471 4526-38	29	471 4555-01	19
471 4525-39	25	471 4526-13	23	471 4526-38	31	471 4555-02	19
471 4525-39	37	471 4526-13	25	471 4526-38	35	471 4564-01	127
471 4525-40	27	471 4526-20	23	471 4526-38	37	471 4565-01	127
471 4525-40	37	471 4526-20	25	471 4526-39	21	471 4579-01	41
471 4526-01	21	471 4526-21	23	471 4526-39	25	471 4579-02	41
471 4526-01	23	471 4526-21	25	471 4526-39	29	471 4579-03	41
471 4526-01	25	471 4526-21	37	471 4526-39	31	471 4579-04	41
471 4526-01	31	471 4526-22	23	471 4526-39	35	471 4579-05	41
471 4526-01	35	471 4526-22	25	471 4526-39	37	471 4579-06	41
471 4526-02	21	471 4526-24	23	471 4526-40	21	471 4579-07	41
471 4526-02	23	471 4526-24	25	471 4526-40	25	471 4579-08	41
471 4526-02	25	471 4526-24	37	471 4526-40	29	471 4579-09	41
471 4526-02	31	471 4526-25	23	471 4526-40	31	471 4579-11	41
471 4526-02	35	471 4526-25	25	471 4526-40	35	471 4579-22	39
471 4526-03	21	471 4526-25	37	471 4526-40	37	471 4579-23	39
471 4526-03	23	471 4526-30	21	471 4526-50	21	471 4579-24	39
471 4526-03	25	471 4526-30	25	471 4526-50	31	471 4579-25	39
471 4526-03	31	471 4526-30	29	471 4526-50	35	471 4579-26	39
471 4526-03	35	471 4526-30	31	471 4526-52	21	471 4579-27	39
471 4526-04	21	471 4526-30	35	471 4526-52	31	471 4579-28	39
471 4526-04	23	471 4526-30	37	471 4526-52	35	471 4579-29	39
471 4526-04	25	471 4526-31	21	471 4526-60	21	471 4579-31	39
471 4526-04	31	471 4526-31	25	471 4526-60	31	471 4579-33	39
471 4526-04	35	471 4526-31	29	471 4526-60	35	471 4579-70	41
471 4526-05	21	471 4526-31	31	471 4526-70	25	471 4579-71	41
471 4526-05	23	471 4526-31	35	471 4526-70	37	471 4579-72	41
471 4526-05	25	471 4526-31	37	471 4526-71	25	471 4579-80	39
471 4526-05	31	471 4526-32	21	471 4526-71	37	471 4579-81	39
471 4526-05	35	471 4526-32	25	471 4526-72	25	471 4579-82	39
471 4526-06	21	471 4526-32	29	471 4526-72	37	471 4579-83	39
471 4526-06	23	471 4526-32	31	471 4526-79	21	471 4579-84	39
471 4526-06	25	471 4526-32	35	471 4526-79	29	471 4579-85	39
471 4526-06	31	471 4526-32	37	471 4526-79	31	471 4579-87	39
471 4526-06	35	471 4526-33	21	471 4526-79	35	471 4586-01	39
471 4526-07	21	471 4526-33	25	471 4526-80	21	471 4586-01	41
471 4526-07	23	471 4526-33	29	471 4526-80	29	471 4586-01	47
471 4526-07	25	471 4526-33	31	471 4526-80	31	471 4591-01	37
471 4526-07	31	471 4526-33	35	471 4526-80	35	471 4591-01	41
471 4526-07	35	471 4526-33	37	471 4526-81	21	471 4591-01	49
471 4526-08	21	471 4526-34	21	471 4526-81	29	471 4591-01	121
471 4526-08	23	471 4526-34	25	471 4526-81	31	471 4592-01	37
471 4526-08	25	471 4526-34	29	471 4526-81	35	471 4592-01	41
471 4526-08	31	471 4526-34	31	471 4526-84	29	471 4592-01	49
471 4526-08	35	471 4526-34	35	471 4527-17	43	471 4592-01	121
471 4526-09	21	471 4526-34	37	471 4527-17	45	471 4592-02	121
471 4526-09	23	471 4526-35	21	471 4527-30	45	471 4595-01	11
471 4526-09	25	471 4526-35	25	471 4527-66	43	471 4595-01	39
471 4526-09	31	471 4526-35	29	471 4527-66	45	471 4595-01	41

Numerical index/Nummerregister

Art.No/Art.nr	Page/Sida	Art.No/Art.nr	Page/Sida	Art.No/Art.nr	Page/Sida	Art.No/Art.nr	Page/Sida
471 4595-01	49	471 4783-02	47	471 4904-01	39	471 6753-61	109
471 4595-01	51	471 4783-04	47	471 4904-01	51	471 6753-79	109
471 4596-01	37	471 4785-01	47	471 4905-01	39	471 6754-63	109
471 4596-01	41	471 4791-01	47	471 4905-01	51	471 6754-64	109
471 4596-01	49	471 4792-01	61	471 4905-41	29	471 6901-54	109
471 4596-01	121	471 4792-01	63	471 4905-41	39	471 7468-01	111
471 4649-01	83	471 4792-01	65	471 4934-01	39	471 7618-01	33
471 4650-04	79	471 4792-01	67	471 4934-01	41	471 7618-03	33
471 4650-04	83	471 4792-01	69	471 4969-01	7	471 7619-78	15
471 4650-68	9	471 4792-01	71	471 4969-01	11	471 7619-79	15
471 4651-33	127	471 4792-01	73	471 5100-00	55	471 7619-80	15
471 4652-93	39	471 4792-01	75	471 6010-11	77	471 7620-62	15
471 4652-93	41	471 4792-01	101	471 6527-10	109	471 7626-72	15
471 4652-94	39	471 4792-01	103	471 6527-11	109	471 7634-32	15
471 4652-94	41	471 4792-01	105	471 6527-12	109	471 7640-01	93
471 4654-01	17	471 4797-01	47	471 6527-20	109	471 7701-52	53
471 4657-13	7	471 4829-01	21	471 6527-21	109	471 7804-01	97
471 4657-13	11	471 4829-01	23	471 6527-22	109	471 7806-00	15
471 4700-02	89	471 4829-01	27	471 6527-24	109	471 7806-00	127
471 4700-28	89	471 4829-01	31	471 6527-26	109	471 7826-10	17
471 4700-30	89	471 4829-01	35	471 6527-28	109	471 7826-20	17
471 4700-31	89	471 4830-01	21	471 6527-29	109	471 7829-01	37
471 4700-50	95	471 4830-01	23	471 6527-30	109	471 7829-01	41
471 4700-52	95	471 4830-01	27	471 6527-32	109	471 7829-01	49
471 4700-53	95	471 4830-01	29	471 6527-34	109	471 7829-01	121
471 4705-02	27	471 4830-01	31	471 6527-35	109	471 7851-02	97
471 4705-02	45	471 4830-01	35	471 6527-38	109	471 7851-03	9
471 4706-01	39	471 4830-01	37	471 6536-78	91	471 7851-03	13
471 4706-01	41	471 4835-01	57	471 6653-01	99	471 7851-03	81
471 4706-02	47	471 4839-09	85	471 6653-02	99	471 7857-01	9
471 4706-02	49	471 4839-10	85	471 6653-03	99	471 7857-01	13
471 4706-02	51	471 4839-11	85	471 6653-30	109	471 7901-00	127
471 4707-01	37	471 4839-13	85	471 6653-31	109	471 7902-00	127
471 4707-01	121	471 4839-16	85	471 6653-32	109	471 7909-03	15
471 4712-02	41	471 4839-20	85	471 6654-00	109	471 7958-01	123
471 4712-03	41	471 4839-22	85	471 6654-10	43	471 8121-03	55
471 4712-05	41	471 4839-34	85	471 6654-10	45	471 8128-51	19
471 4712-52	39	471 4839-70	85	471 6654-10	109	471 8159-02	87
471 4712-53	39	471 4839-73	85	471 6654-13	99	471 8163-01	129
471 4713-01	123	471 4839-82	85	471 6654-14	99	471 8175-01	61
471 4714-01	39	471 4843-01	91	471 6654-15	99	471 8175-01	63
471 4714-01	41	471 4843-02	91	471 6654-16	99	471 8175-01	65
471 4714-04	47	471 4843-03	91	471 6654-20	99	471 8175-01	67
471 4714-05	47	471 4843-05	91	471 6654-22	99	471 8175-01	71
471 4731-02	123	471 4843-16	91	471 6654-28	99	471 8175-01	73
471 4747-01	125	471 4843-18	91	471 6654-55	85	471 8175-01	75
471 4748-01	125	471 4843-20	91	471 6654-56	85	471 8180-01	87
471 4763-01	121	471 4848-01	33	471 6654-65	113	471 8180-01	91
471 4766-01	41	471 4849-01	31	471 6655-49	85	471 8180-03	89
471 4766-01	121	471 4849-04	33	471 6661-53	85	471 8180-11	87
471 4766-02	49	471 4862-01	23	471 6664-19	9	471 8180-11	91
471 4766-02	121	471 4862-01	27	471 6675-23	99	471 8180-12	89
471 4782-19	25	471 4862-01	37	471 6696-32	103	471 8180-12	93
471 4782-24	35	471 4863-02	9	471 6696-32	105	471 8180-12	95
471 4782-28	39	471 4863-02	13	471 6696-33	101	471 8180-13	93
471 4782-28	41	471 4863-02	81	471 6696-33	103	471 8180-13	95
471 4782-29	21	471 4876-10	49	471 6696-33	105	471 8187-10	53
471 4782-29	31	471 4878-24	121	471 6696-37	101	471 8192-01	11
471 4782-30	45	471 4878-25	41	471 6696-37	103	471 8202-00	77
471 4782-31	45	471 4878-25	121	471 6696-37	105	471 8202-01	77
471 4782-33	47	471 4878-26	121	471 6696-71	105	471 8210-02	61
471 4782-55	29	471 4878-84	47	471 6750-95	107	471 8210-02	63
471 4782-55	37	471 4903-01	39	471 6753-03	113	471 8210-02	65
471 4782-59	49	471 4903-01	41	471 6753-58	99	471 8210-02	67
471 4782-59	51	471 4903-03	47	471 6753-59	99	471 8210-02	69
471 4783-01	47	471 4904-01	29	471 6753-60	109	471 8210-02	71

Numerical index/Nummerregister

Art.No/Art.nr	Page/Sida	Art.No/Art.nr	Page/Sida	Art.No/Art.nr	Page/Sida	Art.No/Art.nr	Page/Sida
471 8210-02	73	471 8236-05	105	471 8803-11	87	471 8901-06	113
471 8210-02	75	471 8236-06	105	471 8804-01	43	471 8901-08	113
471 8210-63	61	471 8236-07	105	471 8804-01	45	471 8901-09	113
471 8210-63	63	471 8236-08	61	471 8804-51	43	471 8901-10	113
471 8210-63	65	471 8236-08	69	471 8804-51	45	471 8901-13	113
471 8210-63	67	471 8236-08	105	471 8804-71	43	471 8901-14	113
471 8210-63	69	471 8236-09	105	471 8804-71	45	471 8901-15	113
471 8234-01	69	471 8236-12	105	471 8810-01	43	471 8901-16	113
471 8234-01	71	471 8236-13	105	471 8810-01	45	471 8901-17	113
471 8234-01	101	471 8236-14	105	471 8850-11	87	471 8901-18	113
471 8234-02	65	471 8236-15	105	471 8850-11	89	471 8901-19	113
471 8234-02	67	471 8279-03	79	471 8850-11	91	471 8901-21	113
471 8234-02	101	471 8279-03	83	471 8860-11	87	471 8901-24	113
471 8234-04	69	471 8279-08	79	471 8860-11	91	471 8901-25	113
471 8234-04	101	471 8279-08	83	471 8860-63	95	471 8901-26	113
471 8234-05	65	471 8317-01	9	471 8860-66	87	471 8901-27	113
471 8234-05	67	471 8317-01	13	471 8860-66	89	471 8901-28	113
471 8234-05	101	471 8317-01	57	471 8860-66	91	471 8901-30	113
471 8234-08	101	471 8317-01	97	471 8900-01	113	471 8901-31	113
471 8234-09	101	471 8320-11	15	471 8900-02	113	471 8907-01	115
471 8234-92	101	471 8322-01	15	471 8900-03	113	471 8907-02	115
471 8234-92	103	471 8324-01	127	471 8900-04	113	471 8907-03	115
471 8234-92	105	471 8340-23	9	471 8900-05	113	471 8907-04	115
471 8234-94	101	471 8340-23	13	471 8900-06	113	471 8907-06	115
471 8234-94	103	471 8341-05	127	471 8900-07	113	471 8907-50	115
471 8234-94	105	471 8341-11	127	471 8900-08	113	471 8907-51	115
471 8234-95	101	471 8346-01	129	471 8900-09	113	471 8907-62	115
471 8234-95	103	471 8401-01	129	471 8900-10	113	471 8907-63	115
471 8234-95	105	471 8405-01	17	471 8900-11	113	471 8910-02	119
471 8234-96	101	471 8452-01	15	471 8900-13	115	471 8910-03	119
471 8234-96	103	471 8502-14	53	471 8900-14	115	471 8910-04	119
471 8234-96	105	471 8508-00	127	471 8900-15	115	471 8910-06	119
471 8234-97	103	471 8551-02	53	471 8900-16	115	471 8910-07	119
471 8234-97	105	471 8618-02	85	471 8900-17	115	471 8910-08	119
471 8234-98	101	471 8622-01	61	471 8900-18	115	471 8910-09	119
471 8234-98	103	471 8622-01	63	471 8900-19	115	471 8910-10	119
471 8234-98	105	471 8622-01	65	471 8900-20	115	471 8910-11	119
471 8235-01	73	471 8622-01	67	471 8900-21	115	471 8910-12	119
471 8235-01	103	471 8622-01	69	471 8900-50	113	471 8910-13	119
471 8235-02	63	471 8622-01	71	471 8900-51	113	471 8910-14	119
471 8235-02	65	471 8622-01	73	471 8900-52	113	471 8910-15	119
471 8235-02	67	471 8622-01	75	471 8900-53	113	471 8910-16	119
471 8235-02	103	471 8622-02	65	471 8900-54	113	471 8910-17	119
471 8235-03	103	471 8622-05	67	471 8900-55	113	471 8910-20	119
471 8235-04	103	471 8623-01	61	471 8900-56	113	471 8910-21	119
471 8235-05	103	471 8623-01	63	471 8900-57	113	471 8910-22	119
471 8235-06	103	471 8623-01	65	471 8900-58	115	471 8910-24	119
471 8235-07	103	471 8623-01	67	471 8900-59	115	471 8910-25	119
471 8235-08	103	471 8623-01	69	471 8900-60	115	471 8910-26	119
471 8235-09	103	471 8623-01	71	471 8900-71	115	471 8910-27	119
471 8235-11	103	471 8623-01	73	471 8900-72	115	471 8910-29	119
471 8235-12	103	471 8623-01	75	471 8900-73	115	471 8910-30	119
471 8235-13	103	471 8628-01	73	471 8900-74	115	471 8910-31	119
471 8235-14	103	471 8636-01	7	471 8900-75	115	471 8910-33	119
471 8235-15	103	471 8641-01	7	471 8900-76	115	471 8910-34	119
471 8235-20	103	471 8641-01	11	471 8900-77	115	471 8910-35	119
471 8235-21	103	471 8644-02	9	471 8900-78	115	471 8910-36	119
471 8236-01	105	471 8644-02	13	471 8900-79	115	471 8910-37	119
471 8236-02	61	471 8644-03	129	471 8900-80	115	471 8910-38	119
471 8236-02	69	471 8646-26	79	471 8900-81	115	471 8910-39	119
471 8236-02	71	471 8646-26	83	471 8901-00	113	471 8910-41	119
471 8236-02	73	471 8655-01	9	471 8901-01	113	471 8910-42	119
471 8236-02	75	471 8656-01	9	471 8901-02	113	471 8910-43	119
471 8236-02	105	471 8708-01	57	471 8901-03	113	471 8910-44	119
471 8236-03	105	471 8733-10	47	471 8901-04	113	471 8910-45	119
471 8236-04	105	471 8750-11	57	471 8901-05	113	471 8910-48	119

Numerical index/Nummerregister

Art.No/Art.nr	Page/Sida	Art.No/Art.nr	Page/Sida	Art.No/Art.nr	Page/Sida	Art.No/Art.nr	Page/Sida
471 8910-49	119	471 8980-01	111	471 9514-11	91	471 9809-03	13
471 8910-51	119	471 9004-46	83	471 9514-11	93	472 5207-02	21
471 8910-54	121	471 9004-96	77	471 9514-11	95	472 5207-02	23
471 8910-55	121	471 9006-61	57	471 9514-12	85	472 5207-02	27
471 8910-56	121	471 9007-11	77	471 9514-12	91	472 5207-02	29
471 8910-57	119	471 9008-30	43	471 9514-61	89	472 5207-02	31
471 8910-58	119	471 9008-30	45	471 9514-61	93	472 5207-02	35
471 8910-59	119	471 9008-30	109	471 9514-61	95	472 5207-02	37
471 8910-62	119	471 9010-77	71	471 9525-25	7	472 5207-02	87
471 8910-66	121	471 9010-77	73	471 9525-25	11	472 5752-01	51
471 8910-70	119	471 9010-77	75	471 9529-10	93	472 5752-02	51
471 8910-73	119	471 9015-65	109	471 9533-02	111	472 5752-03	51
471 8910-74	119	471 9015-68	77	471 9550-07	89	472 5752-06	51
471 8910-75	121	471 9017-12	109	471 9550-10	57	472 5752-10	49
471 8910-77	121	471 9027-85	57	471 9550-13	57	472 5752-72	51
471 8910-79	119	471 9030-34	77	471 9550-15	93	472 5752-73	49
471 8910-81	121	471 9030-34	83	471 9555-03	127	472 5756-01	47
471 8910-82	121	471 9030-54	113	471 9558-01	95	472 5756-02	47
471 8910-84	121	471 9030-63	113	471 9603-04	127	472 5756-04	47
471 8910-85	119	471 9030-64	113	471 9603-13	127	472 5756-06	47
471 8910-86	119	471 9030-65	113	471 9604-01	87	472 5819-01	81
471 8910-87	121	471 9030-66	113	471 9604-01	91	472 5821-03	81
471 8910-89	119	471 9030-68	113	471 9604-02	89	472 5840-01	81
471 8910-90	37	471 9030-69	115	471 9604-02	93	472 5899-01	81
471 8910-90	41	471 9030-70	117	471 9605-02	57	472 5923-01	81
471 8910-90	49	471 9030-71	117	471 9610-02	91	472 5968-01	81
471 8910-90	121	471 9030-72	117	471 9610-04	91	472 6001-51	61
471 8910-91	37	471 9030-73	117	471 9610-05	33	472 6001-51	63
471 8910-91	41	471 9035-20	85	471 9610-05	85	472 6001-51	69
471 8910-91	49	471 9035-20	89	471 9610-05	91	472 6001-51	75
471 8910-91	121	471 9035-20	91	471 9610-06	91	472 6001-51	129
471 8910-92	119	471 9035-20	93	471 9610-07	33	472 6001-52	65
471 8910-93	119	471 9035-20	95	471 9615-01	85	472 6001-52	67
471 8911-01	113	471 9037-73	81	471 9617-01	85	472 6001-52	71
471 8919-01	121	471 9038-52	115	471 9618-01	85	472 6001-52	129
471 8950-14	85	471 9040-85	9	471 9629-02	123	472 6001-53	129
471 8950-15	85	471 9040-85	13	471 9646-02	123	472 6001-57	73
471 8950-16	85	471 9041-22	7	471 9651-50	91	472 6001-59	65
471 8950-17	85	471 9041-22	11	471 9653-03	93	472 6001-59	67
471 8950-19	85	471 9043-88	117	471 9716-22	107	472 6002-05	129
471 8950-20	85	471 9043-90	109	471 9716-23	107	472 6003-01	129
471 8950-21	85	471 9044-83	109	471 9716-24	107	472 6004-01	129
471 8953-04	85	471 9044-86	109	471 9716-26	107	472 6005-01	129
471 8953-05	85	471 9056-91	91	471 9716-27	107	472 6005-02	129
471 8953-14	85	471 9056-92	91	471 9716-28	107	472 6005-10	129
471 8954-03	85	471 9058-98	77	471 9716-29	107	472 6005-11	129
471 8954-04	85	471 9058-98	79	471 9716-38	107	472 6006-01	129
471 8954-05	85	471 9059-37	115	471 9716-39	107	472 6011-00	97
471 8961-01	43	471 9059-38	117	471 9716-40	107	472 6011-01	97
471 8961-01	45	471 9059-39	117	471 9727-01	97	472 6012-00	97
471 8961-02	109	471 9200-78	43	471 9727-02	97	472 6013-00	97
471 8964-04	49	471 9200-78	45	471 9727-03	97	472 6015-00	97
471 8964-04	51	471 9200-78	109	471 9739-03	107	472 6016-00	97
471 8966-01	121	471 9201-52	113	471 9739-51	107	472 6017-00	97
471 8966-02	121	471 9201-84	77	471 9739-52	107	472 6018-00	97
471 8966-03	121	471 9207-07	109	471 9739-54	107	472 6020-00	97
471 8966-04	121	471 9207-08	109	471 9739-57	107	472 6020-05	9
471 8966-05	121	471 9212-76	79	471 9805-10	9	472 6020-05	11
471 8966-06	121	471 9212-76	83	471 9805-10	13	472 6020-05	97
471 8966-07	121	471 9219-52	53	471 9805-11	9	472 6020-06	97
471 8966-11	37	471 9219-63	99	471 9805-11	13	472 6020-07	97
471 8966-12	37	471 9219-65	81	471 9805-22	9	472 6020-08	97
471 8971-01	39	471 9220-26	15	471 9805-23	9	472 6020-10	97
471 8971-01	41	471 9222-59	53	471 9805-24	9	472 6061-01	85
471 8977-03	47	471 9514-11	85	471 9806-01	9	472 6061-01	91
471 8977-13	47	471 9514-11	89	471 9809-03	9	472 6061-04	89

Numerical index/Nummerregister

Art.No/Art.nr	Page/Sida	Art.No/Art.nr	Page/Sida	Art.No/Art.nr	Page/Sida	Art.No/Art.nr	Page/Sida
472 6061-04	93	472 9902-78	57	725 2372-42	15	735 2146-01	17
472 6061-04	95	472 9911-27	107	725 2372-51	53	735 2146-01	27
472 6079-00	21	472 9911-28	107	725 2632-51	7	735 2146-01	43
472 6079-00	23	472 9913-22	11	725 2632-51	11	735 2146-01	45
472 6079-00	27	487 1202-00	125	725 2632-71	53	735 2146-01	57
472 6079-00	29	722 7840-19	23	729 5221-01	47	735 2146-01	97
472 6079-00	31	722 7843-02	9	729 5225-01	121	735 2153-01	9
472 6079-00	33	722 7843-02	13	729 5230-71	47	735 2153-01	13
472 6079-00	35	722 7843-19	7	729 5279-01	87	735 2153-01	57
472 6079-00	37	722 7843-19	11	729 5279-01	89	735 2436-01	57
472 6079-00	43	724 1218-01	121	729 5279-01	91	735 3110-21	109
472 6079-00	45	724 1220-01	39	729 5279-01	95	735 3122-20	53
472 6082-01	21	724 1220-01	41	729 5279-01	97	735 3139-00	53
472 6082-01	23	724 1226-61	37	729 5281-01	7	735 3147-00	53
472 6082-01	27	724 1226-61	89	729 5281-01	11	736 1802-01	123
472 6082-01	29	724 1226-61	95	729 5340-42	9	736 2816-51	61
472 6082-01	31	724 1226-61	121	729 5342-01	7	736 2816-51	63
472 6082-01	35	724 1285-01	43	729 5342-01	11	736 2816-51	65
472 6082-01	37	724 1285-01	45	729 5342-01	59	736 2816-51	67
472 6082-01	87	724 1285-01	57	729 5342-01	65	736 2816-51	69
472 6147-00	97	724 1285-01	65	729 5342-01	67	736 2816-51	71
472 6152-01	7	724 1285-01	67	729 5342-01	81	736 2816-51	73
472 6152-01	11	724 1285-01	73	729 5342-01	93	736 2816-51	75
472 6152-01	19	724 1285-01	85	729 5344-01	9	736 2825-51	59
472 6152-02	7	724 1289-01	9	729 5344-01	13	736 2825-51	61
472 6152-02	11	724 1289-01	13	729 5408-01	43	736 2825-51	63
472 6152-02	19	724 1289-01	85	729 5408-01	45	736 2825-51	65
472 6195-01	97	724 1293-01	59	729 5409-01	27	736 2825-51	67
472 6516-02	7	724 1295-01	97	729 5410-01	13	736 2825-51	69
472 6516-02	11	724 1303-01	57	729 5414-01	57	736 2825-51	71
472 6549-01	97	724 1321-01	17	729 9342-61	21	736 2825-51	73
472 6561-01	97	724 1321-42	15	729 9342-61	33	736 2825-51	75
472 6737-01	93	724 1323-01	97	729 9342-61	57	736 2828-51	129
472 6737-02	93	724 1327-42	13	729 9342-61	77	736 2831-51	53
472 6737-05	93	724 1327-42	17	729 9342-61	79	736 2837-51	9
472 6737-06	93	724 1329-42	9	729 9342-61	83	736 2837-51	13
472 6737-07	93	724 1329-42	15	731 2310-01	39	736 2837-51	19
472 6737-09	93	724 1329-42	17	731 2310-01	41	736 2837-51	81
472 6756-01	129	724 1331-42	15	731 2312-01	29	736 2840-51	9
472 6779-01	15	724 3291-42	19	731 2312-01	37	736 2840-51	13
472 6779-03	15	724 5115-20	65	731 2312-01	39	736 2840-51	19
472 7744-01	37	725 2224-61	127	731 2312-01	41	736 2840-51	53
472 7744-01	41	725 2285-42	15	731 2312-01	49	736 2840-51	55
472 7744-01	121	725 2285-42	87	731 2312-01	51	736 2840-51	57
472 8969-03	49	725 2285-42	127	731 2312-01	97	736 2840-51	81
472 8969-03	51	725 2289-01	37	731 2312-01	121	736 2840-51	97
472 8999-01	123	725 2289-61	7	731 2314-42	19	736 2842-01	55
472 8999-02	123	725 2289-61	9	731 2314-42	129	736 2849-51	9
472 8999-10	125	725 2289-61	11	732 2112-01	9	736 2849-51	13
472 9317-02	59	725 2289-61	39	732 2112-01	13	736 2849-51	57
472 9900-01	53	725 2289-61	41	732 2112-01	97	738 2309-31	53
472 9900-27	111	725 2289-61	49	732 2116-01	9	738 2312-30	53
472 9900-28	111	725 2289-61	51	732 2116-01	11	738 8362-01	53
472 9900-29	111	725 2289-61	57	732 2116-01	53	740 4805-03	7
472 9900-30	111	725 2289-61	121	732 2116-42	15	740 6829-21	53
472 9900-31	111	725 2327-61	9	732 2118-01	53	741 1113-20	79
472 9900-52	111	725 2327-61	11	732 2124-01	7	741 3115-21	69
472 9900-53	111	725 2327-61	81	732 2124-01	11	741 3115-21	71
472 9900-54	111	725 2366-61	11	734 1186-01	53	741 3115-22	65
472 9900-75	127	725 2366-61	53	734 1303-01	97	741 3115-22	73
472 9900-76	111	725 2366-61	57	735 2136-01	7	742 1285-01	71
472 9902-20	53	725 2368-51	9	735 2136-01	9	742 5115-20	67
472 9902-22	9	725 2368-51	11	735 2136-01	11	742 5115-20	69
472 9902-22	13	725 2368-51	77	735 2136-01	33	742 5115-20	71
472 9902-59	129	725 2370-51	81	735 2146-01	9	742 5115-20	73
472 9902-77	57	725 2370-61	7	735 2146-01	13	762 1182-10	57

Numerical index/Nummerregister

Art.No/Art.nr	Page/Sida	Art.No/Art.nr	Page/Sida	Art.No/Art.nr	Page/Sida	Art.No/Art.nr	Page/Sida
762 1209-10	57	877 5252-01	75				
762 3211-01	87						
762 3211-01	89						
762 3211-01	91						
762 3211-01	93						
762 3211-01	95						
762 3231-01	87						
762 3231-01	89						
762 3231-01	91						
762 3231-01	93						
762 3231-01	95						
762 7105-80	57						
762 7111-10	57						
762 7113-10	57						
762 7114-10	59						
762 7117-10	59						
762 7119-10	59						
762 7146-90	59						
762 8801-21	57						
762 8801-22	57						
762 8802-21	57						
762 9105-05	61						
762 9105-05	63						
762 9105-05	65						
762 9105-05	67						
762 9105-05	69						
762 9105-05	71						
762 9105-05	73						
762 9105-05	75						
763 1101-01	85						
763 1103-01	85						
763 1802-01	21						
763 1802-01	23						
763 1802-01	27						
763 1802-01	29						
763 1802-01	31						
763 1802-01	35						
763 1802-01	37						
767 5103-09	89						
767 5111-10	89						
767 5112-10	85						
767 5121-00	91						
767 5122-00	91						
767 5131-00	91						
767 5132-00	91						
767 5151-00	57						
767 5151-00	85						
767 5151-00	91						
767 5152-00	57						
767 5152-00	85						
767 5152-00	91						
877 5211-08	61						
877 5211-08	63						
877 5211-08	65						
877 5211-08	67						
877 5211-08	69						
877 5211-08	71						
877 5211-08	73						
877 5211-08	75						
877 5252-01	61						
877 5252-01	63						
877 5252-01	65						
877 5252-01	67						
877 5252-01	69						
877 5252-01	71						
877 5252-01	73						



ELECTROLUX LAUNDRY SYSTEMS

ELECTROLUX LAUNDRY SYSTEMS SWEDEN AB
341 80 Ljungby, Sweden. Telephone +46 372 661 00. Telefax +46 372 133 90
Internet: www.electrolux-wascator.com E-mail: els.info@electrolux.se