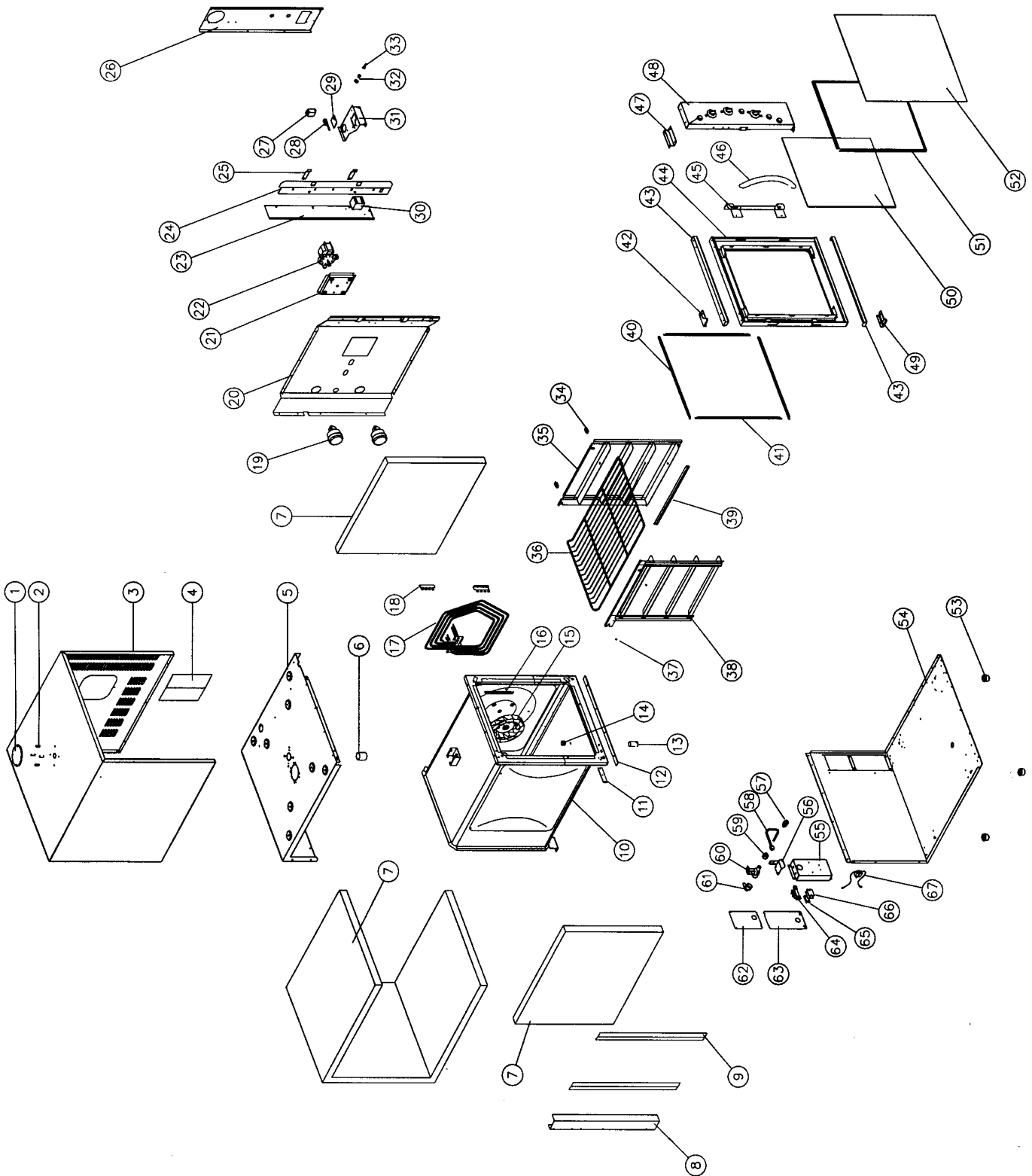


# E32-II SPARE PARTS LIST



Page 1/3  
2.1.1 MAIN ASSEMBLY



# E32-II SPARE PARTS LIST



Page2/3

2.1.1 MAIN ASSEMBLY

| Pos | Part No. | Description                        |
|-----|----------|------------------------------------|
| 1   | 016241   | VENT HOOD PLATE                    |
| 2   | 016245   | HOOD SPACER                        |
| 3   | 021448   | WRAPPER                            |
| 4   | 017872   | INSPECTION PANEL                   |
| 5   | 021549   | TOP INSULATION PANEL               |
| 6   | 014954   | VENT TUBE                          |
| 7   | 090424   | FIBREGLASS - 38mm                  |
| 8   | 013986   | REAR VERTICAL                      |
| 9   | 013978   | LH INSULATION PLATE                |
| 10  | 004727   | OVEN - ENAMELLED                   |
| 11  | 013951   | HINGE PLATE BOTTOM                 |
| 12  | 013987   | INSULATOR OVEN                     |
| 13  | 013941   | DRAIN TUBE (to 12/98)              |
| 14  | 002247   | DRAIN PLUG (to 12/98)              |
| 15  | 015597   | FAN                                |
| 16  | 013974   | PHIAL GUARD                        |
| 17  | 015360   | ELEMENT ASSEMBLY 220V              |
|     | 015363   | ELEMENT ASSEMBLY 240V              |
|     | 021920   | ELEMENT ASSEMBLY 220V (E32-8 ONLY) |
|     | 015360   | ELEMENT ASSEMBLY 240V (E32-8 ONLY) |
| 18  | 015581   | ELEMENT BRACKET                    |
| 19  | 013520   | OVEN LIGHT ASSY                    |
|     | 003434   | SILK GASKET                        |
|     | 013521   | LAMP - 40W                         |
|     | 003002   | LIGHT GLASS                        |
| 20  | 013967   | SIDE INSULATION PANEL              |
| 21  | 013965   | MOTOR MOUNTING PLATE               |
| 22  | 013431   | MOTOR                              |
| 23  | 021172   | HEAT BLOCK PLATE                   |
| 24  | 021467   | CATCH PLATE                        |
| 25  | 013893   | DOOR SPRING CATCH                  |
| 26  | 021173   | FRONT VERTICAL                     |
| 27  | 021534   | RELAY                              |
| 28  | 003004   | MICROSWITCH                        |
| 29  | 013977   | INSULATOR                          |
| 30  | 015966   | CONTACTOR                          |
|     | 022993   | CONTACTOR MOUNTING BRACKET         |
| 31  | 021636   | MICROSWITCH BRACKET                |
| 32  | 013610   | DOOR BUSH                          |
| 33  | 021637   | MICROSWITCH BUTTON                 |
| 34  | 014031   | OVEN BAFFLE STUD                   |
| 35  | 015656   | FAN BAFFLE                         |
| 36  | 015168   | OVEN RACK                          |
| 37  | 041405   | SCREW                              |
|     | 003397   | SPACER                             |
| 38  | 015575   | SIDE RACK LH                       |
| 39  | 015930   | BAFFLE LOCATING BRACKET            |

# E32-II SPARE PARTS LIST



| Pos | Part No. | Description   |
|-----|----------|---|
| 40  | 021517   | HORIZONTAL SEAL ASSEMBLY  |
|     | 021519   | HORIZONTAL SEAL - 0.52M   |
| 41  | 021520   | VERTICAL OVEN SEAL ASSEMBLY   |
|     | 021522   | VERTICAL SEAL - 0.55M   |
| 42  | 020082   | TOP HINGE ASSEMBLY  |
|     | 017905   | BUSH  |
| 43  | 021532   | DOOR TRIM   |
| 44  | 004725   | DOOR INNER ENAMELLED  |
| 45  | 021466   | DOOR HANDLE BRACKET   |
| 46  | 021468   | HANDLE  |
| 47  | 021441   | CONTROL PANEL MOUNTING BRACKET  |
| 48  | -----    | CONTROL PANEL (REFER SECTION 2.2.1)   |
| 49  | 020083   | BOTTOM HINGE ASSEMBLY   |
|     | 017905   | BUSH  |
| 50  | 002340   | DOOR INNER GLASS  |
|     | 090200   | SILICONE EXTRUSION - 1.74M (NOT ILLUSTRATED)  |
| 51  | 004451   | GLASS CLAMP ANGLE PAINTED   |
| 52  | 021443   | DOOR OUTER GLASS  |
|     | 090225   | SILICONE EXTRUSION - 1.2M (NOT ILLUSTRATED)   |
| 53  | 013908   | FOOT ASSEMBLY <sup>3</sup> / <sub>8</sub> "   |
|     | 013048   | LEG - 4" HI-TEMP PLASTIC (NOT ILLUSTRATED)  |
| 54  | 013966   | BASE PANEL  |
| 55  | 015591   | JUNCTION BOX  |
|     | 022286   | JUNCTION BOX (E32-8)  |
| 56  | 021618   | WATER SOLENOID BRACKET  |
| 57  | 021057   | SPRAY NOZZLE ASSEMBLY   |
| 58  | 021058   | WATER TUBE W.A  |
| 59  | 020869   | CONNECTOR- <sup>3</sup> / <sub>8</sub> "F x <sup>1</sup> / <sub>4</sub> " COMPRESSION |
| 60  | 020851   | SOLENOID  |
| 61  | 021526   | WATER INLET ELBOW   |
|     | 021527   | WATER INLET WASHER  |
| 62  | 021619   | REAR SERVICE PANEL – TOP  |
|     | 022287   | REAR SERVICE PANEL – TOP (E32-8)  |
| 63  | 015589   | REAR SERVICE PANEL – BOTTOM   |
|     | 022288   | REAR SERVICE PANEL – BOTTOM (E32-8)   |
| 64  | 014185   | MAINS TERMINAL BLOCK  |
| 65  | 002138   | CABLE CLAMP   |
| 66  | 002441   | INSULATOR   |
| 67  | 018959   | CAPACITOR ASSEMBLY (UK ONLY)  |