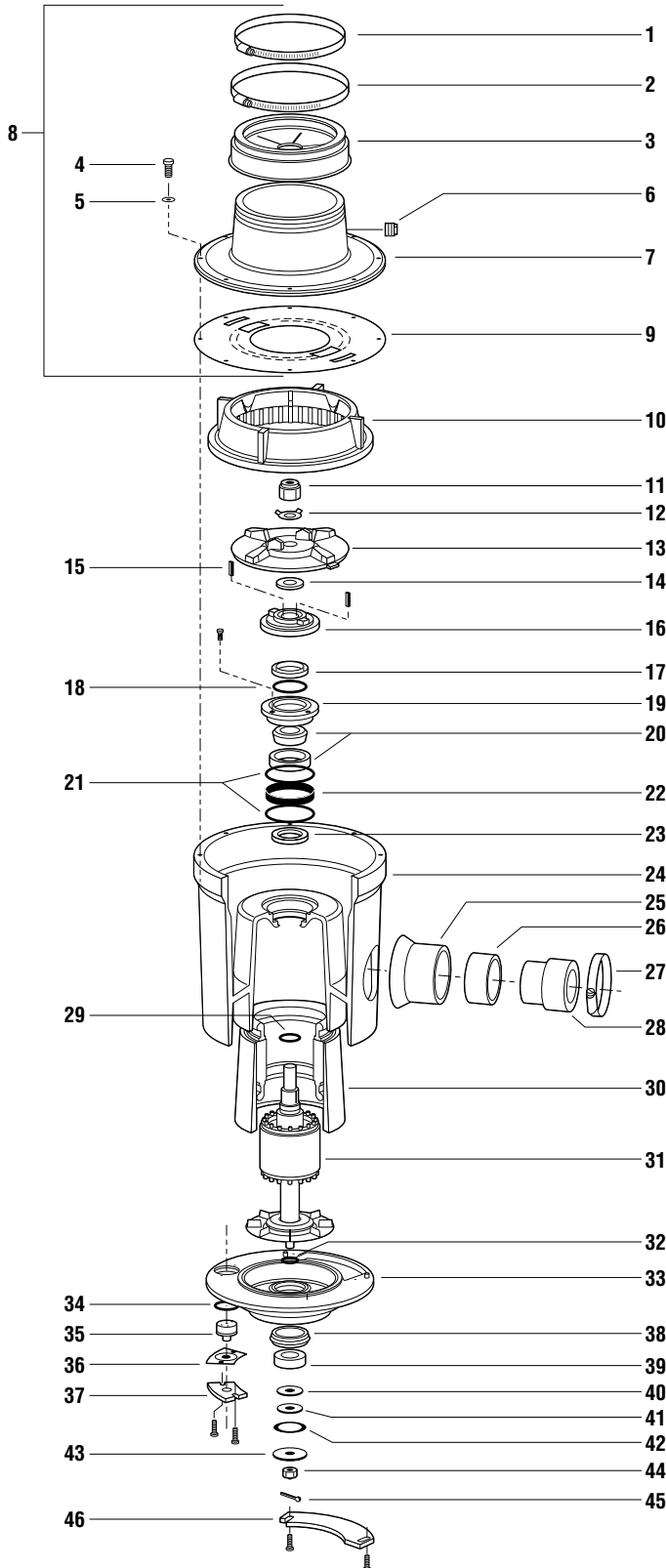


Salvajor Model 300 3 HP - 3 Phase

Series H Disposer Parts Breakdown



NO.	PART NO.	DESCRIPTION
1	M116	Clamp
2	M128	Clamp
3	2357A	Hycar Adaptor
4	997022	(8) Screw 5/16" - 18" x 1" HHCAP
5	997123	(8) Washer Flat 11/32" x 5/8" OD SS
6	PL5	Plug 1/2" Plastic
7	983010	Top Housing
8	980131	Top Housing Assembly 1, 2, 3, 7, 9
9	996045	Center Gasket (S)(C)
10	9S	Shredder (C)
11	7814RN	Rotor Nut (S)(C)
12	997092	Lock Washer (S)(C)
13	983005	Face Plate (C)
14	996025	Rotor Shaft Gasket (S)
15	997070	(2) Key 3/16" x 3/16" x 1" (S)
16	980132	Rotor Base Assembly (S)
17	S67350B	Varailip Seal (S)
18	995009	Spacer Seal TEB (S)
19	993001	Top End Bell Insert (S) Assembly 17, 18, 19
20	985001	Bearing Cup/Cone Top (S)
21	12151	O-Ring (S)
22	ANL79X15S	Tolerance Ring (S)
23	S67350	Varailip Seal (S)
24	MH3	Motor Housing 3"
25	996037	Drain Outlet 3"
26	988015	Drain Insert 3"
27	997131	Clamp Disposer 3"
28	996038	Drain Adaptor 2-3"
29	11026	O-Ring (S)
30	3MHI	Stator w/Motor Housing Insert
31	991020	Motor Rotor 300-3
32	996020	O-Ring (S)
33	BEBA123G	Bottom End Bell Assembly 34, 36, 37, 46
34	123	Klixon O-Ring
35	KL3003	Klixon
36	KLCG	Klixon Cover Gasket
37	KLC	Klixon Cover
38	996023	BEB Rubber Isolator (S)
39	6205	Bottom Bearing (S)
40	987002	Drive Washer (S)
41	996024	Friction Washer (S)
42	987003	Wave Washer (S)
43	987001	Retaining Washer (S)
44	997050	Castle Nut (S)
45	997051	Cotter Pin (S)
46	JBCA	Junction Box Cover

SEAL AND CUTTING KITS

KSH123	Seal Kit (All Models)
KCGRF3	Cutting Kit (Model 300)

(S) Designates Parts included in Seal Kit

(C) Designates Parts included in Cutting Kit

SPECIFY VOLTAGE AND PHASE WHEN ORDERING



The Salvajor Company

4530 East 75th Terrace

Kansas City, MO 64132-2081 USA

CALL FREE: 1-888-SALVAJOR FAX FREE: 1-800-832-9373