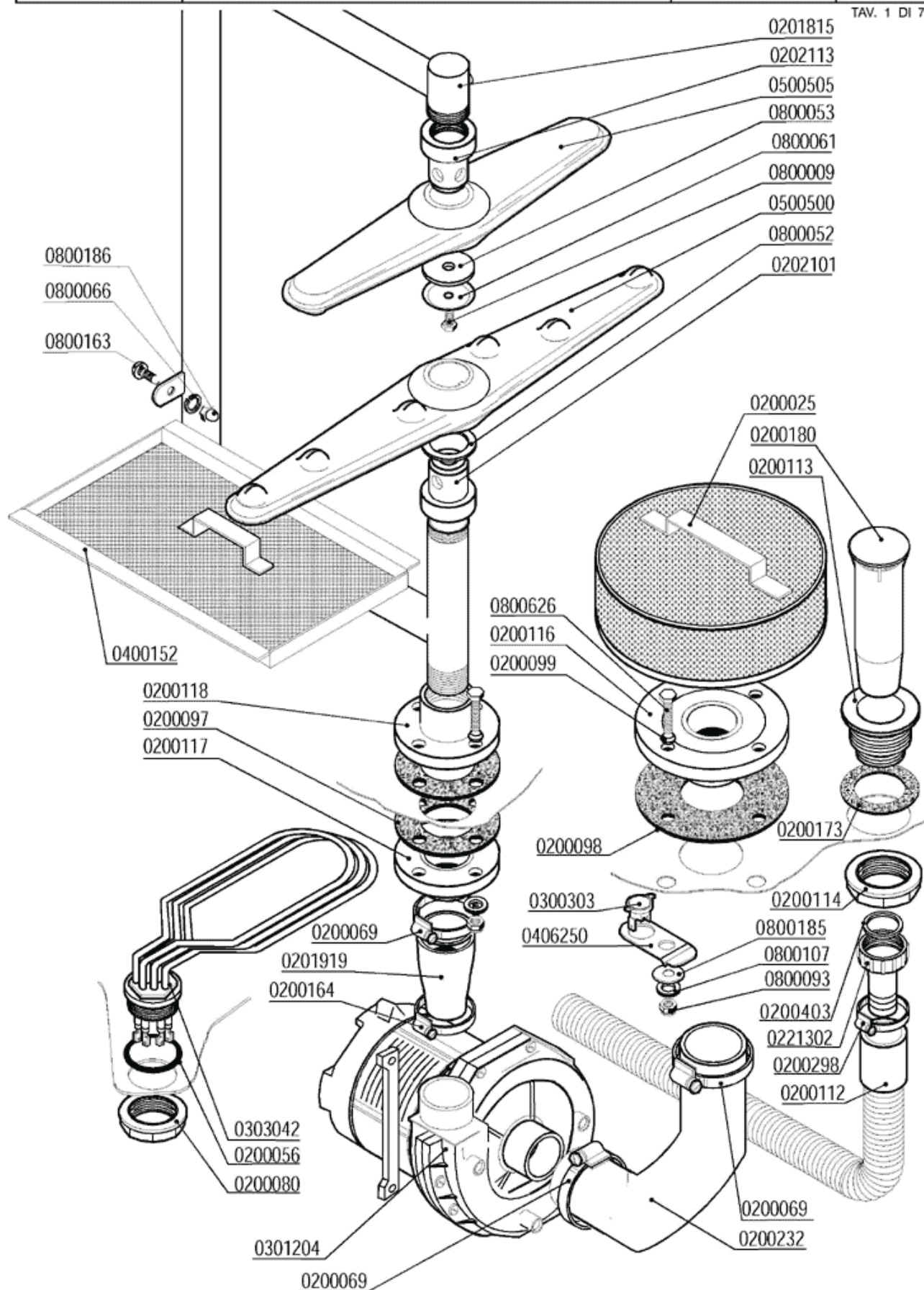
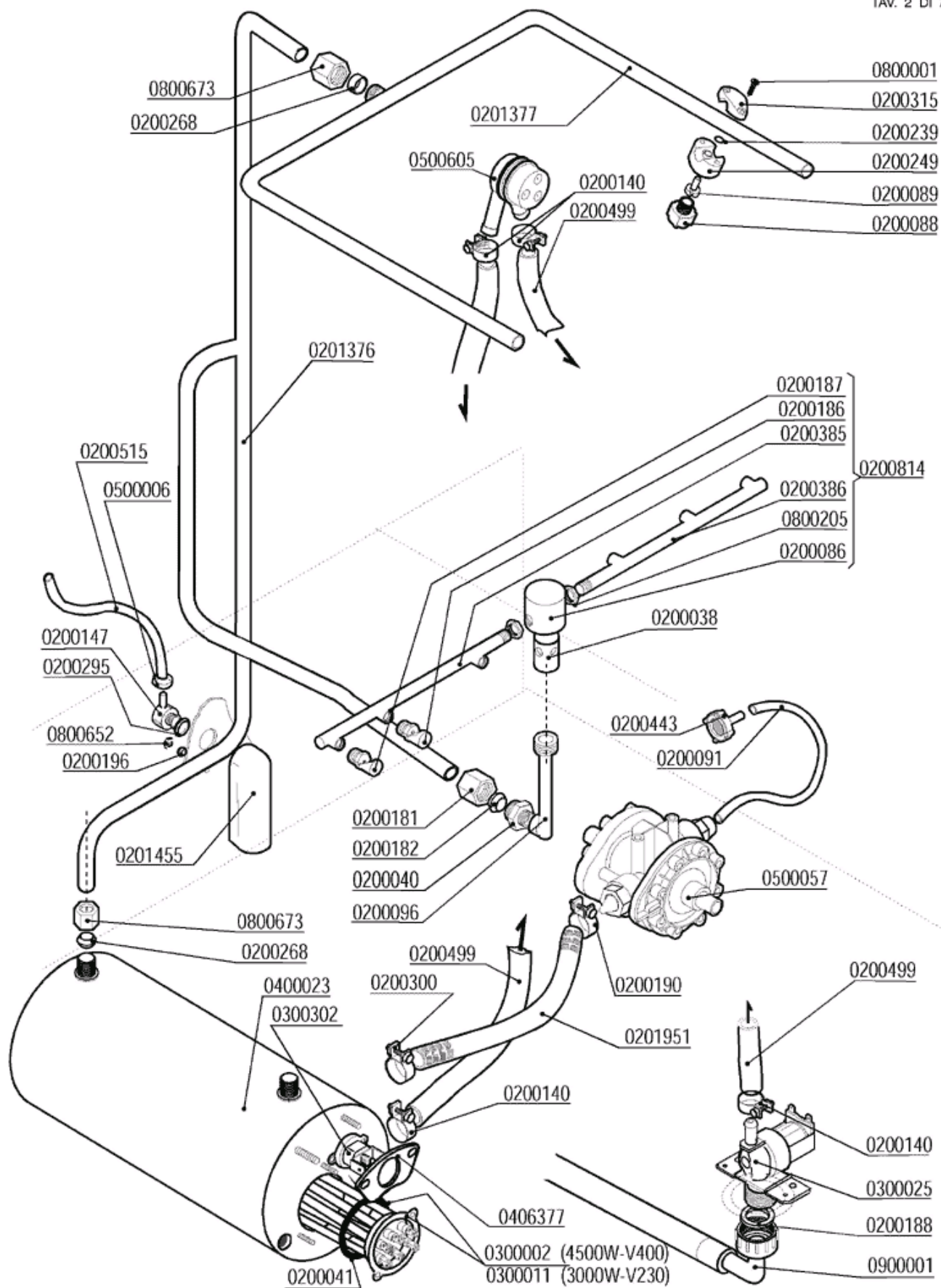
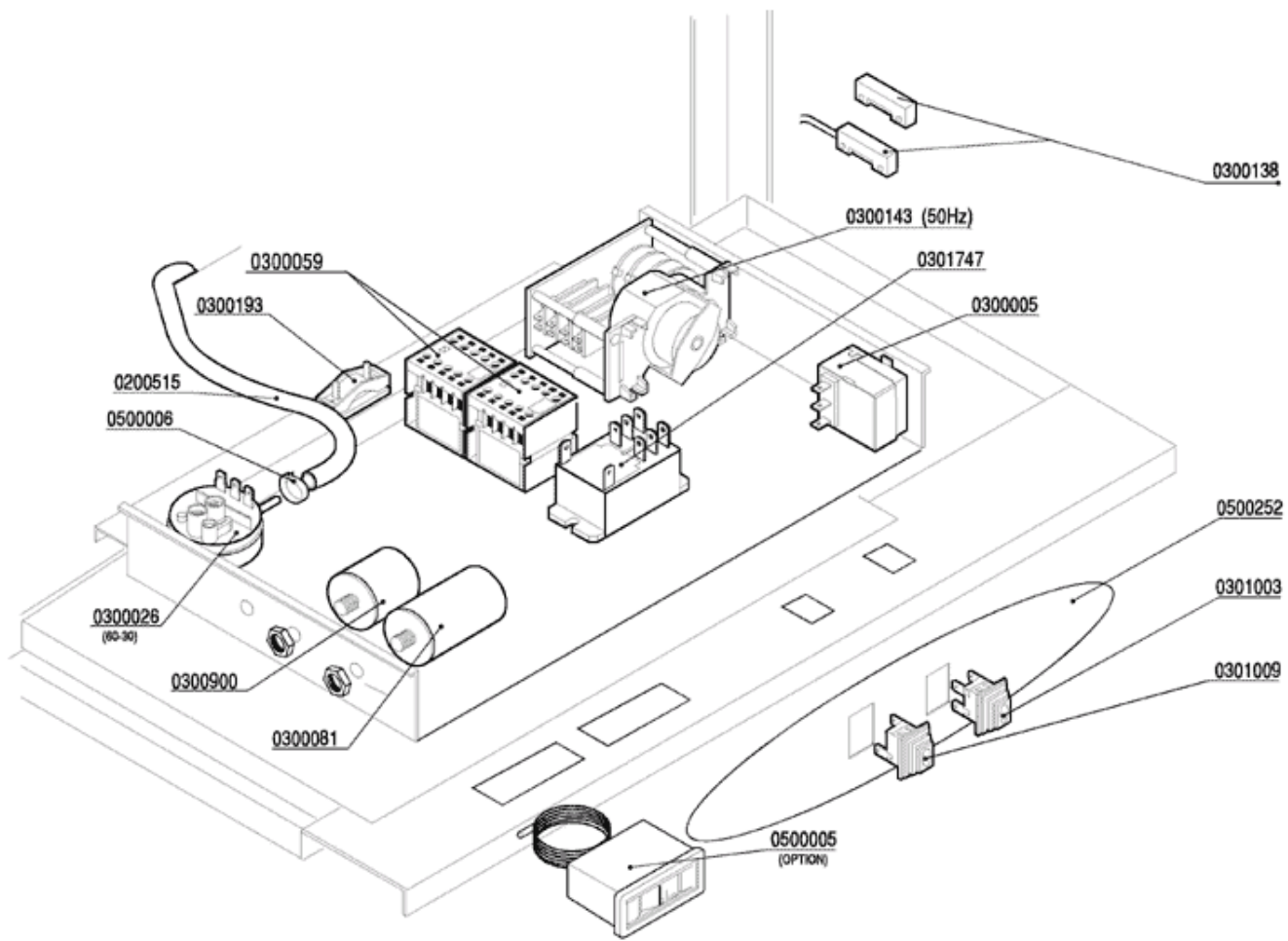


- 1 - WASH COMPONENTS
- 2 - RINSE COMPONENTS
- 3 - CONTROL BOX
- 4 - DRAIN PUMP PARTS
- 5 - LIFTING COMPONENTS
- 6 - HOOD
- 7 - DETERGENT PUMP







QUADRO ELETTRICO - TABLEAU ELECTRIQUE
 CONTROL BOX - SCHALT-TAFEL - CAJA ELECTRICA

MCS
DSP5

T.M.
3 B

ED. 03/2006
 T.M. 3 DI 7

