

- (A)** CIRCUIT BOARD
- (B)** FRONT PLATE
- (C)** ON/OFF SWITCH
- (D)** MOTOR DEFLECTOR
- (E)** WEDGING PART
- (F)** BASE ASSEMBLY
- (G)** POWER CORD
- (M)** MOTOR
- (X)** CAPACITOR
- (Y)** MOTOR RELAY

INDEX	REF.	DESIGNATION	Pricelist in : GBP
1	100082	DRIVE SHAFT	23,70
2	100096	(C) Spacer R300,R301U Series C	Contact us
3	100084	R301U SHAFT DEFLECTOR	6,70
4	500467	MOTOR SEAL	7,50
5	39358	REED SWITCH WHITE WIRE	7,30
6	130240	MOTOR SUPPORT	76,10
7	100642	RUBBER FOOT	1,30
8	100580	SLEEVE	4,00
9	125257	BOLT COVER	1,00
10	29083	(C) Motor Support Screw Set R301U Srs C	Contact us
11	125290	S.S VENT COVER	2,90
12	103534	(C) Cont Feed Lead Only R300,R301U "C"	Contact us
13	508706	BUSHING RELIEF	1,80
14	108515	POWER CORD CLIP	Contact us
15	27213	* (C) Cont. Feed Kit (Series "C")	See Price list
16	29922	(C) Cont Feed Lead Assy R300,R301U Srs C	Contact us
17	29880	(C) Large Pusher Assy R300,R301U Srs "C"	48,80
18	102021	HANDLE KNOB CL30/R302	2,70
19	103703	(C) Large Pusher Only R300,R301U Srs "C"	Contact us
20	118324	(L)Small Pusher	15,00
21	29921	(C) Pusher Guide R300,R301U Series "C"	44,50
22	103540	(C) Pusher Pivot Pin R300,R301U Series C	Contact us
23	103534	(C) Cont Feed Lead Only R300,R301U "C"	Contact us
24	100954	SLING PLATE	16,90
25	100951	VEGETABLE SLICER BOWL	Contact us
26	37060	CUTTER ATTACHEMENT	See Price list
27	39380	CUTTER LID	54,40
28	117058	BLADE CAP	1,10
29	38150	STRAIGHT BLADE R301 S.DEP	See Price list
30	27065	* (C) Coarse Serr. Blade R300,R301U "C"	See Price list
31	27135	* (C) Fine Serr. Blade R300,R301U "C"	See Price list
32	39370	CUTTER BOWL	80,60
34	29157	PUSHER ASS	43,40
35	102021	HANDLE KNOB CL30/R302	2,70
36	100953	R301U N VEGET.PUSHER (N)	Contact us
37	100955	ROUND PUSHER	8,70
38	100950	VEGETABLE SLICER LID	48,10
39	100952	PUSHER GUIDE	23,30
40	203011	BUSHING	1,70
41	100963	PUSHER GUIDE SPINDLE	28,00
42	101054	PUSHER GUIDE SPRING	Contact us

**robot coupe®**

**R 301**

**Pricelist in : GBP**

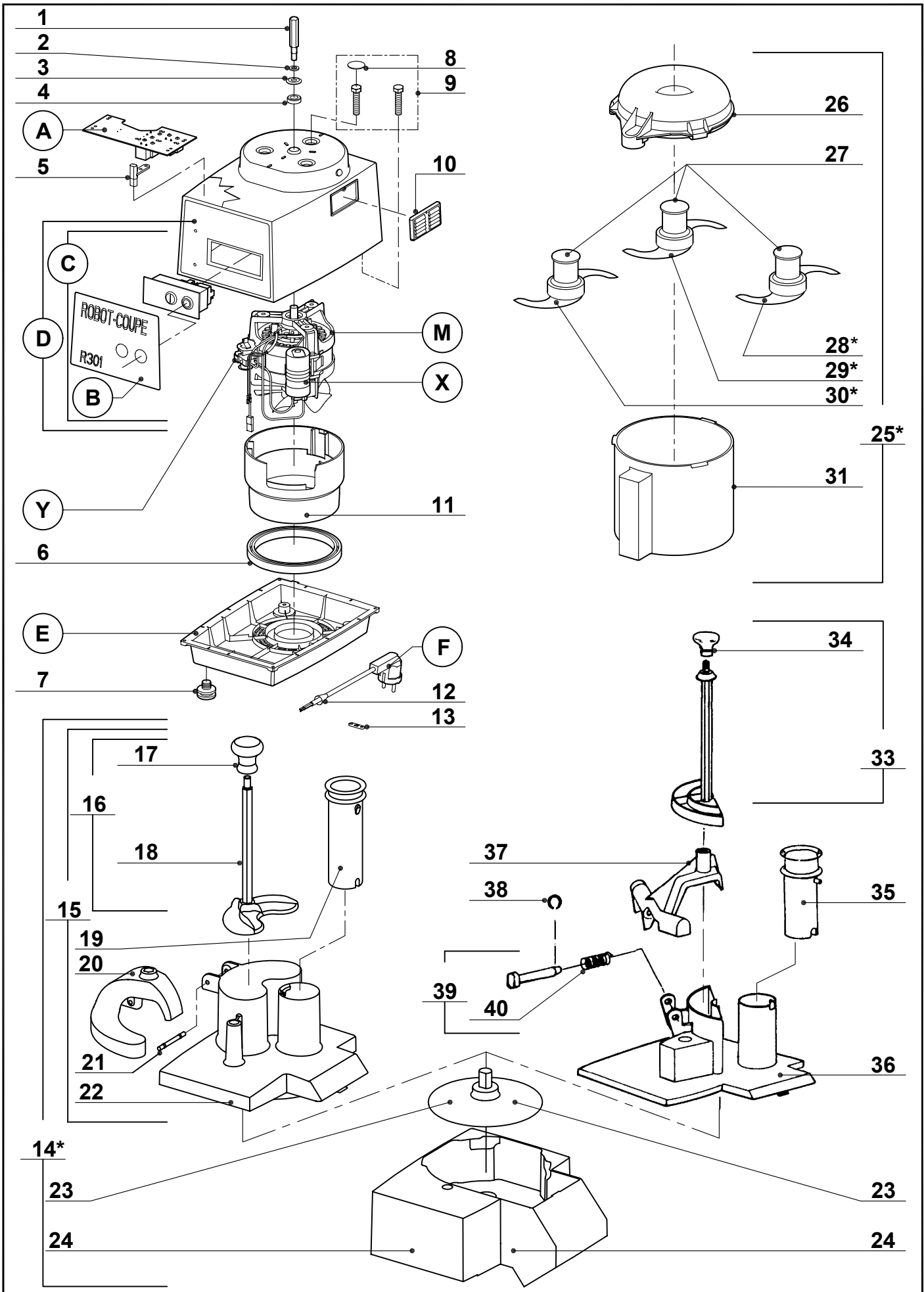
N°	M	Voltage	A	B	C	D	E	F	G	
22036 UK	3048 229,50	240 / 50 / 1	39003 123,40	400227 Contact us	509091 Contact us	125136 9,30	127578 4,90	29243 22,20	507325 Contact us	

**robot coupe®**

**R 301**

**Pricelist in : GBP**

N°	M	Voltage	X	Y	
22036 UK	3048 229,50	240 / 50 / 1	600018 16,90	500289 26,40	



\* Voir tarif machines / See export price list

- (A)** CIRCUIT BOARD
- (B)** FRONT PLATE
- (C)** SWITCH PANNEL ASS
- (D)** MOTOR SUPPORT ASSEMBLY
- (E)** R301 BASE ASSEMBLY
- (F)** POWER CORD
- (M)** MOTOR
- (X)** CAPACITOR
- (Y)**

INDEX	REF.	DESIGNATION	Pricelist in : GBP
1	100082	DRIVE SHAFT	23,70
2	100096	(C) Spacer R300,R301U Series C	Contact us
3	100084	R301U SHAFT DEFLECTOR	6,70
4	500467	MOTOR SEAL	7,50
5	29441	REED SWITCH ASS R301B/UB	12,50
6	101099	R201/R2-A ABSORBER	10,10
7	101082	R201/R2-A FOOT	1,30
8	101754	BOLT COVER	1,00
9	29298	MOT SUP SCREWS ASS B	Contact us
10	125290	S.S VENT COVER	2,90
11	117266	CL25 MOT. VENTIL. GUIDE	10,10
12	508706	BUSHING RELIEF	1,80
13	108515	POWER CORD CLIP	Contact us
14	27213	* (C) Cont. Feed Kit (Series "C")	See Price list
15	29922	(C) Cont Feed Lead Assy R300,R301U Srs C	Contact us
16	29880	(C) Large Pusher Assy R300,R301U Srs "C"	48,80
17	102021	HANDLE KNOB CL30/R302	2,70
18	103703	(C) Large Pusher Only R300,R301U Srs "C"	Contact us
19	118324	(L)Small Pusher	15,00
20	29921	(C) Pusher Guide R300,R301U Series "C"	44,50
21	103540	(C) Pusher Pivot Pin R300,R301U Series C	Contact us
22	103534	(C) Cont Feed Lead Only R300,R301U "C"	Contact us
23	100954	SLING PLATE	16,90
24	100951	VEGETABLE SLICER BOWL	Contact us
25	37060	CUTTER ATTACHEMENT	See Price list
26	39380	CUTTER LID	54,40
27	117058	BLADE CAP	1,10
28	38150	STRAIGHT BLADE R301 S.DEP	See Price list
29	27065	* (C) Coarse Serr. Blade R300,R301U "C"	See Price list
30	27135	* (C) Fine Serr. Blade R300,R301U "C"	See Price list
31	39370	CUTTER BOWL	80,60
33	29157	PUSHER ASS	43,40
34	102021	HANDLE KNOB CL30/R302	2,70
35	100955	ROUND PUSHER	8,70
36	100950	VEGETABLE SLICER LID	48,10
37	100952	PUSHER GUIDE	23,30
38	203011	BUSHING	1,70
39	100963	PUSHER GUIDE SPINDLE	28,00
40	101054	PUSHER GUIDE SPRING	Contact us



**R 301 B**

Pricelist in : GBP

N°	M	Voltage	A	B	C	D	E	F	X	
22185 UK n°	3092 229,50	240 / 50 / 1	102301 123,70	405860 Contact us	29428 Contact us	29431 Contact us	29378 21,40	507325 Contact us	600018 16,90	
2625 UK n°	3092 229,50	240 / 50 / 1	102301 123,70	405860 Contact us	29428 Contact us	29431 Contact us	29378 21,40	507325 Contact us	600018 16,90	

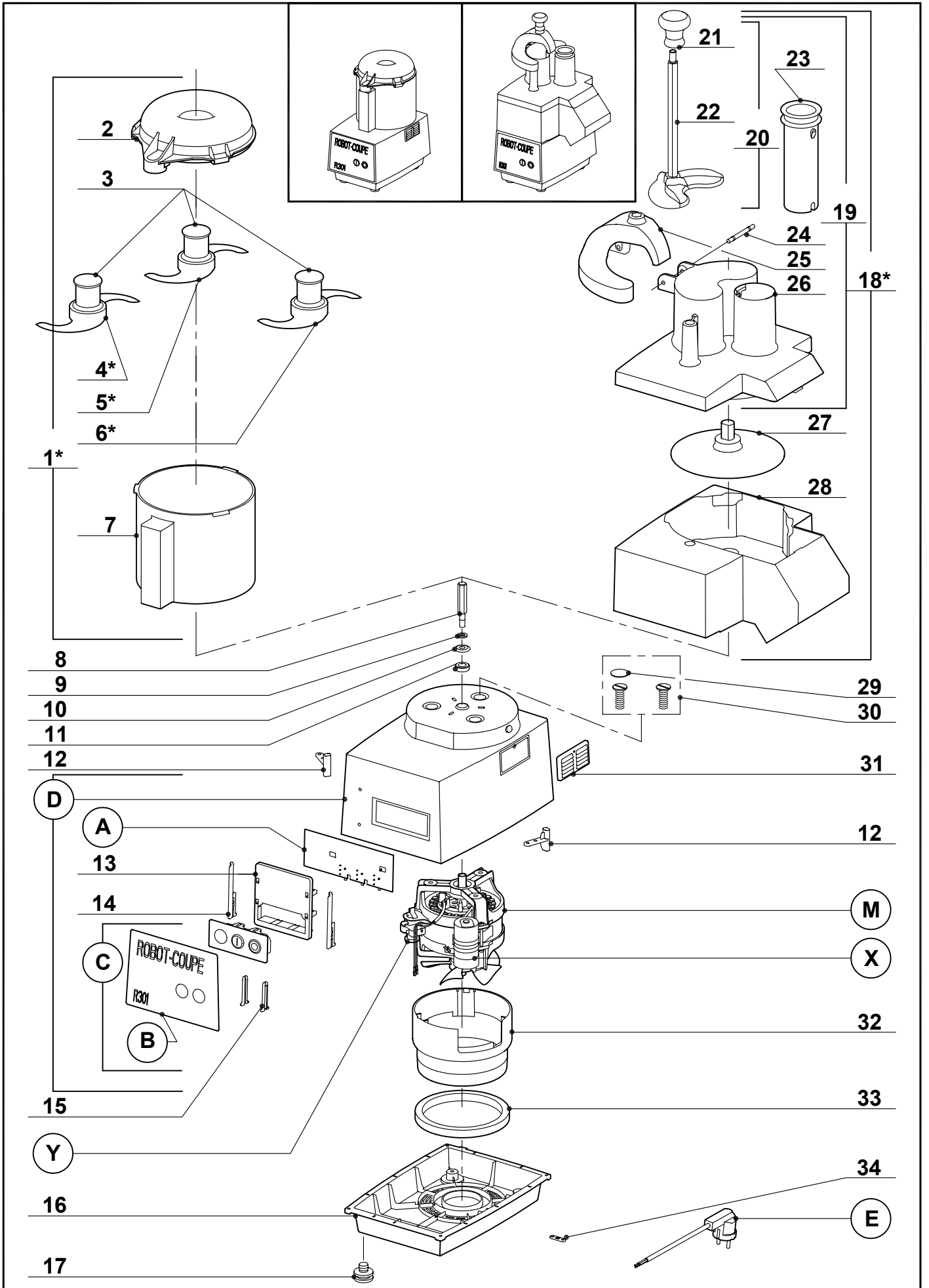
**robot coupe**

**R 301 B**

**Pricelist in : GBP**

N°	M	Voltage	Y	
22185 UK n°	3092 229,50	240 / 50 / 1	500289 26,40	
2625 UK n°	3092 229,50	240 / 50 / 1	500289 26,40	





- (A)** (C) Control Board R300 Series "C"
- (B)** FRONT PLATE
- (C)** SWITCH PANEL R301C ASSY
- (D)** MOTOR SUPPORT ASSEMBLY
- (E)**
- (M)** MOTOR
- (X)** CAPACITOR
- (Y)** MOTOR RELAY

INDEX	REF.	DESIGNATION	Pricelist in : GBP
1	37060	CUTTER ATTACHEMENT	See Price list
2	39380	CUTTER LID	54,40
3	117058	BLADE CAP	1,10
4	27065	* (C) Coarse Serr. Blade R300,R301U "C"	See Price list
5	27135	* (C) Fine Serr. Blade R300,R301U "C"	See Price list
6	38150	STRAIGHT BLADE R301 S.DEP	See Price list
7	39370	CUTTER BOWL	80,60
8	100082	DRIVE SHAFT	23,70
9	100096	(C) Spacer R300,R301U Series C	Contact us
10	100084	R301U SHAFT DEFLECTOR	6,70
11	500467	MOTOR SEAL	7,50
12	29441	REED SWITCH ASS R301B/UB	12,50
13	102911	R302 PCB SUPPORT	4,40
14	117703	PCB LOCKING KEY	1,00
15	102913	R302 PANEL KEY	1,00
16	29378	R301 BASE ASSEMBLY	21,40
17	101082	R201/R2-A FOOT	1,30
18	27213	* (C) Cont. Feed Kit (Series "C")	See Price list
19	29922	(C) Cont Feed Lead Assy R300,R301U Srs C	Contact us
20	29880	(C) Large Pusher Assy R300,R301U Srs "C"	48,80
21	102021	HANDLE KNOB CL30/R302	2,70
22	103703	(C) Large Pusher Only R300,R301U Srs "C"	Contact us
23	118324	(L)Small Pusher	15,00
24	103540	(C) Pusher Pivot Pin R300,R301U Series C	Contact us
25	29921	(C) Pusher Guide R300,R301U Series "C"	44,50
26	103534	(C) Cont Feed Lead Only R300,R301U "C"	Contact us
27	100954	SLING PLATE	16,90
28	103728	(C) Cont Feed Attach. R300,R301U Srs "C"	110,20
29	101754	BOLT COVER	1,00
30	29298	MOT SUP SCREWS ASS B	Contact us
31	125290	S.S VENT COVER	2,90
32	117266	CL25 MOT. VENTIL. GUIDE	10,10
33	101099	R201/R2-A ABSORBER	10,10
34	108515	POWER CORD CLIP	Contact us

N°	M	Voltage	A	B	C	D	E	X	Y	
22274 UK n°	3092 229,50	240 / 50 / 1	103681 123,70	405860 Contact us	29932 0,00	29431 Contact us	503476 Contact us	600018 16,90	500289 26,40	
2638 UK n°	3092 229,50	240 / 50 / 1	103681 123,70	405860 Contact us	29932 0,00	29431 Contact us	503476 Contact us	600018 16,90	500289 26,40	