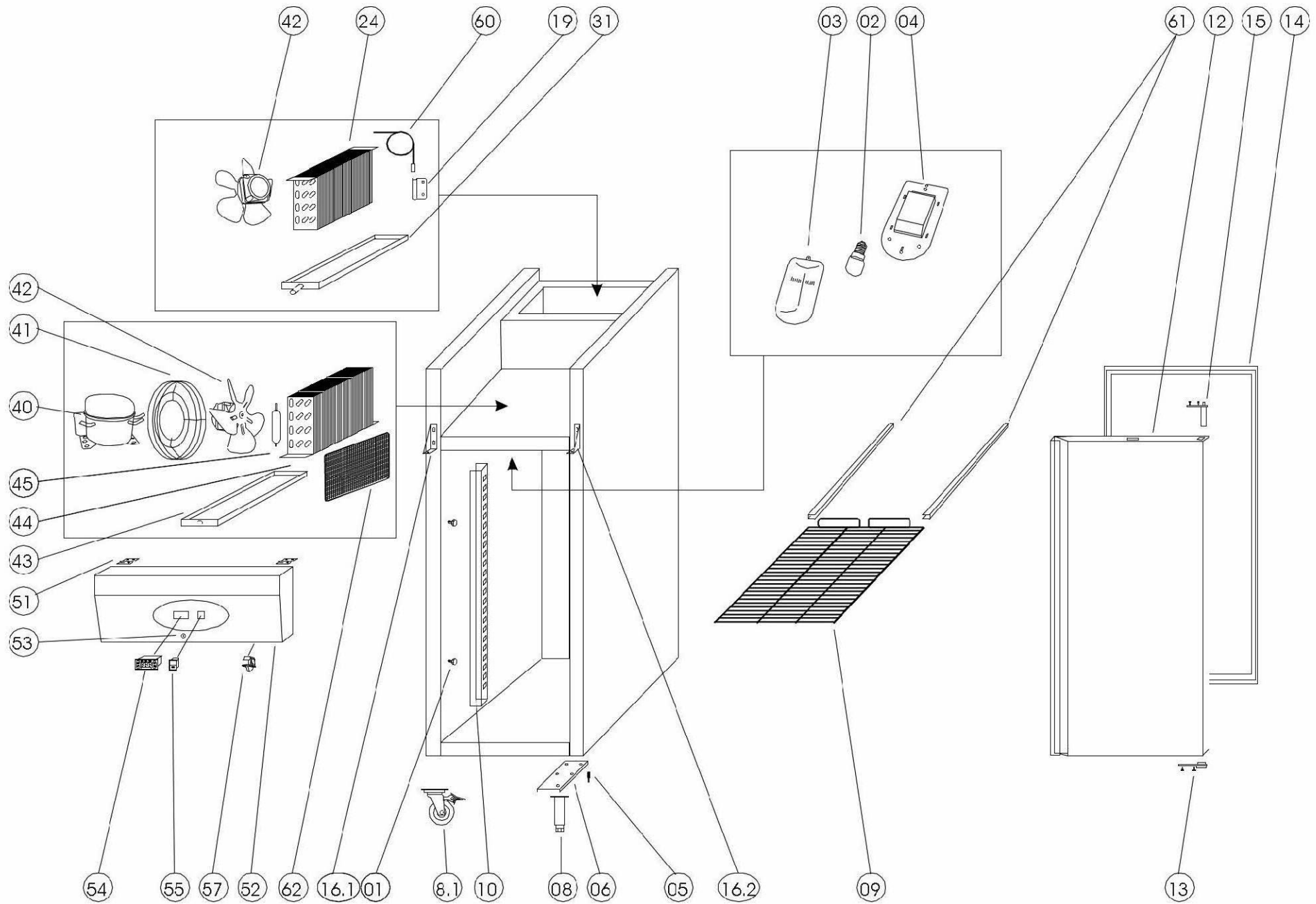


Part no.	Pos. no.	Description
7110000501	1	SUPPORT LOCATED NUT
7110000600	2	LAMP
7110000601	3	LAMP COVER
7110000602	4	LAMP SUPPORT
7200000705	5	DOWN HINGE AXIS
7100004104	6	DOWN HINGE
7110000900	8	FEET (4 PCS)
7110000901	8.1	WHEELS (4 PCS)
7110001000	9	SHELF WHITE
7110001001	9	SHELF STEEL
7110001002	9	SHELF, NEW 25 WIRE
7110001497	10	SUPPORT GUIDE
7100004102	12	DOOR
7110000705	13	DOWN HINGE AXIS JACKET
7110000805	14	GASKET
7110000806	15	DOOR SPRING
7110000808	16.1	UP HINGE LEFT
7110000807	16.2	UP HINGE RIGHT
7200000529	19	SENSOR FIXED CLIP
7110000221	24	EVAPORATOR
7110000208	31	EVAPORATOR WATER PAN
7110002102	40	COMPRESSOR GVY75AA
7110000300	41	BASKET GUARD GRILLS
7110001900	42	CONDENSOR/EVAPORATOR FAN
7110001902	43	CONDENSER WATER PAN
7110000306	44	CONDENSOR
7120002110	45	FILTER DRIER 25 g.
7110000810	51	HINGE FOR FRONT PANEL
7110000815	52	FRONT PANEL
7100004103	53	LOCK
7110000400	54	THERMOSTAT REK 33
7110000399	54	THERMOSTAT XR60C, 2009
7110002401	55	MAIN SWITCH
7110002402	57	DOOR SWITCH
7110001602	60	SENSOR PROBE RED NEW
7110000397	60	SENSOR FOR XR-THERMOSTAT
7110001500	61	GUIDE/LEFT-RIGHT (SET)
7110000404	62	FILTER 215x248

*IF THERMOSTAT IS REPLACED, THE PROBE MUST BE CHANGED !



080617

Explode RK710

TEFCOLD 