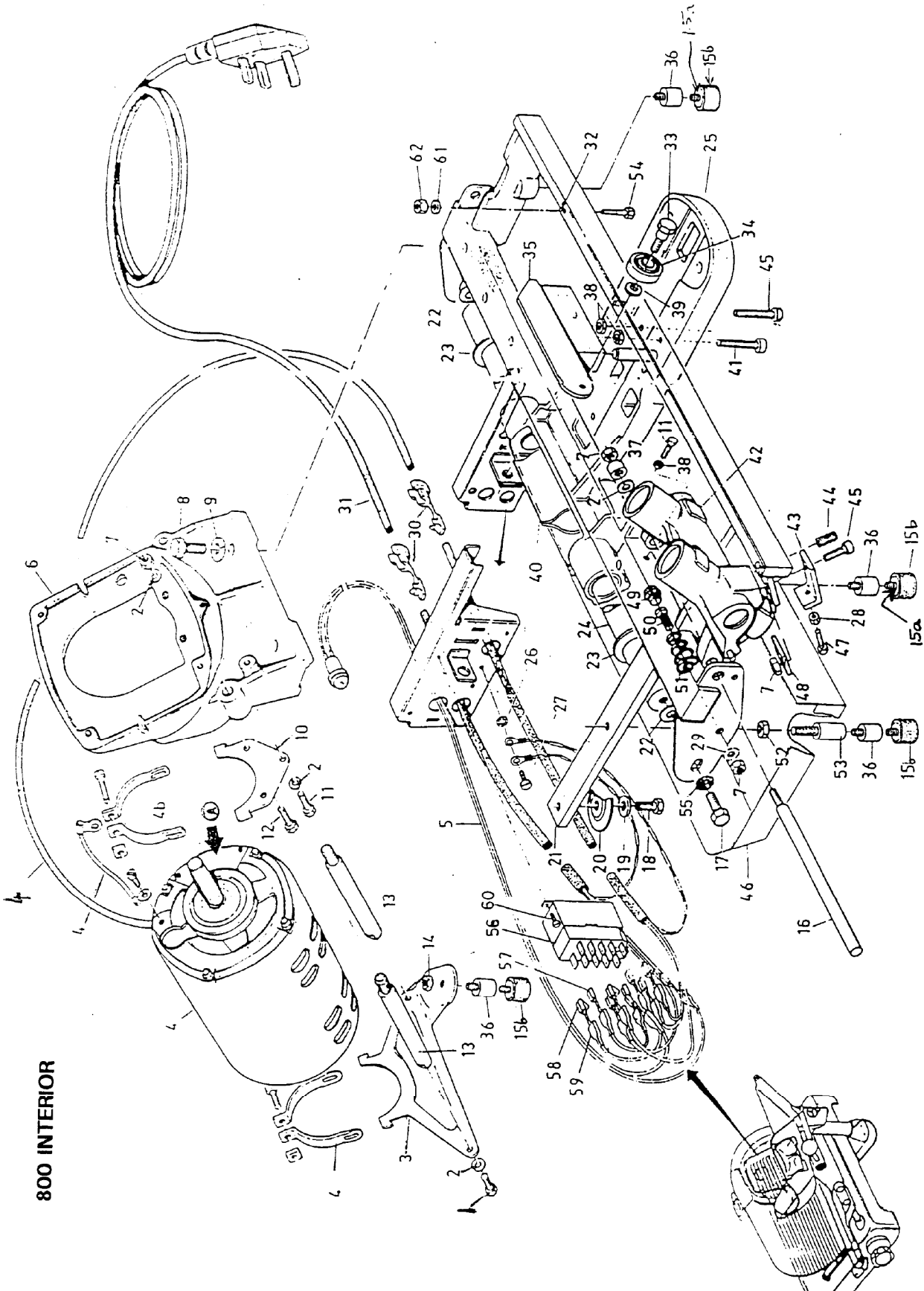
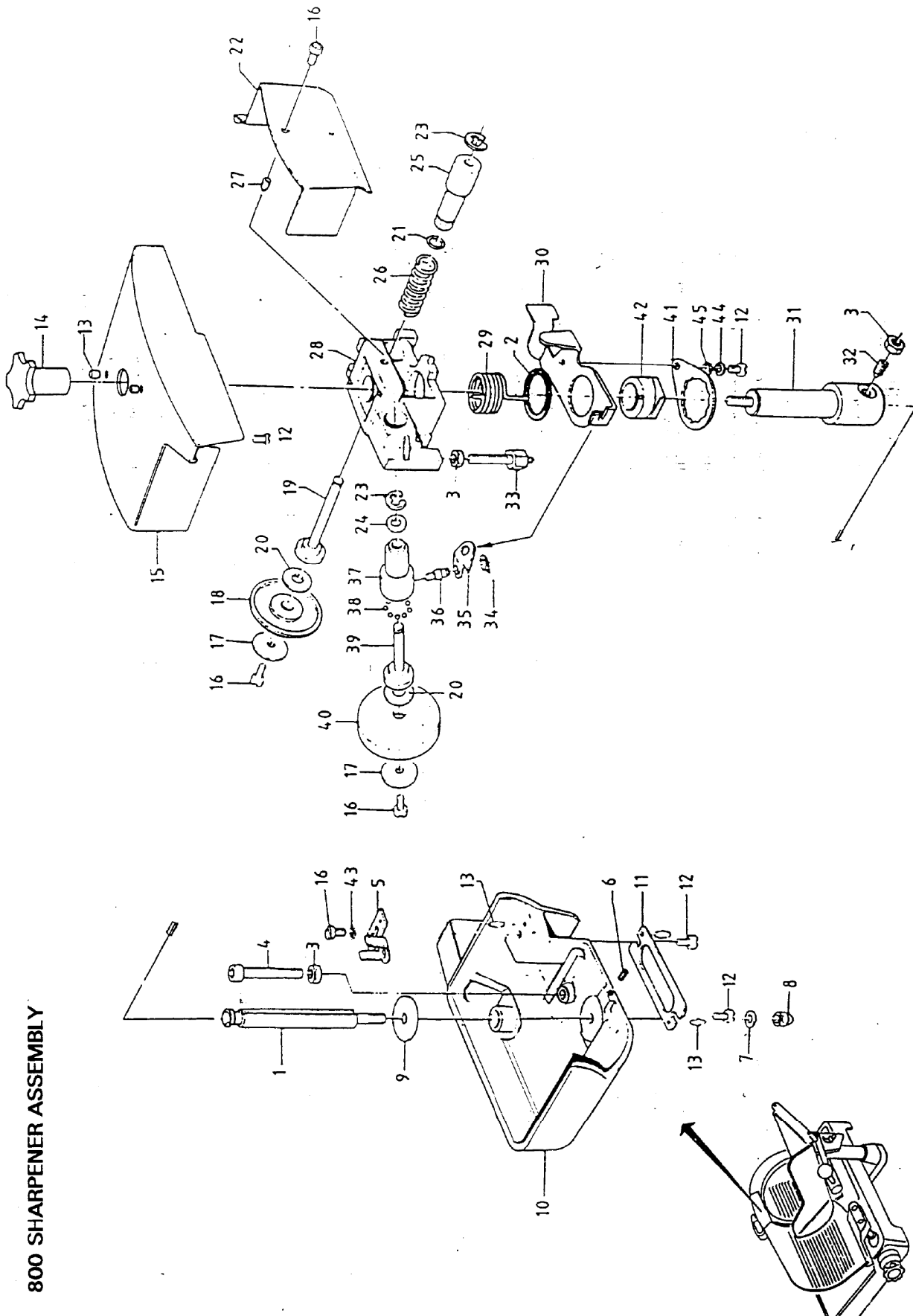


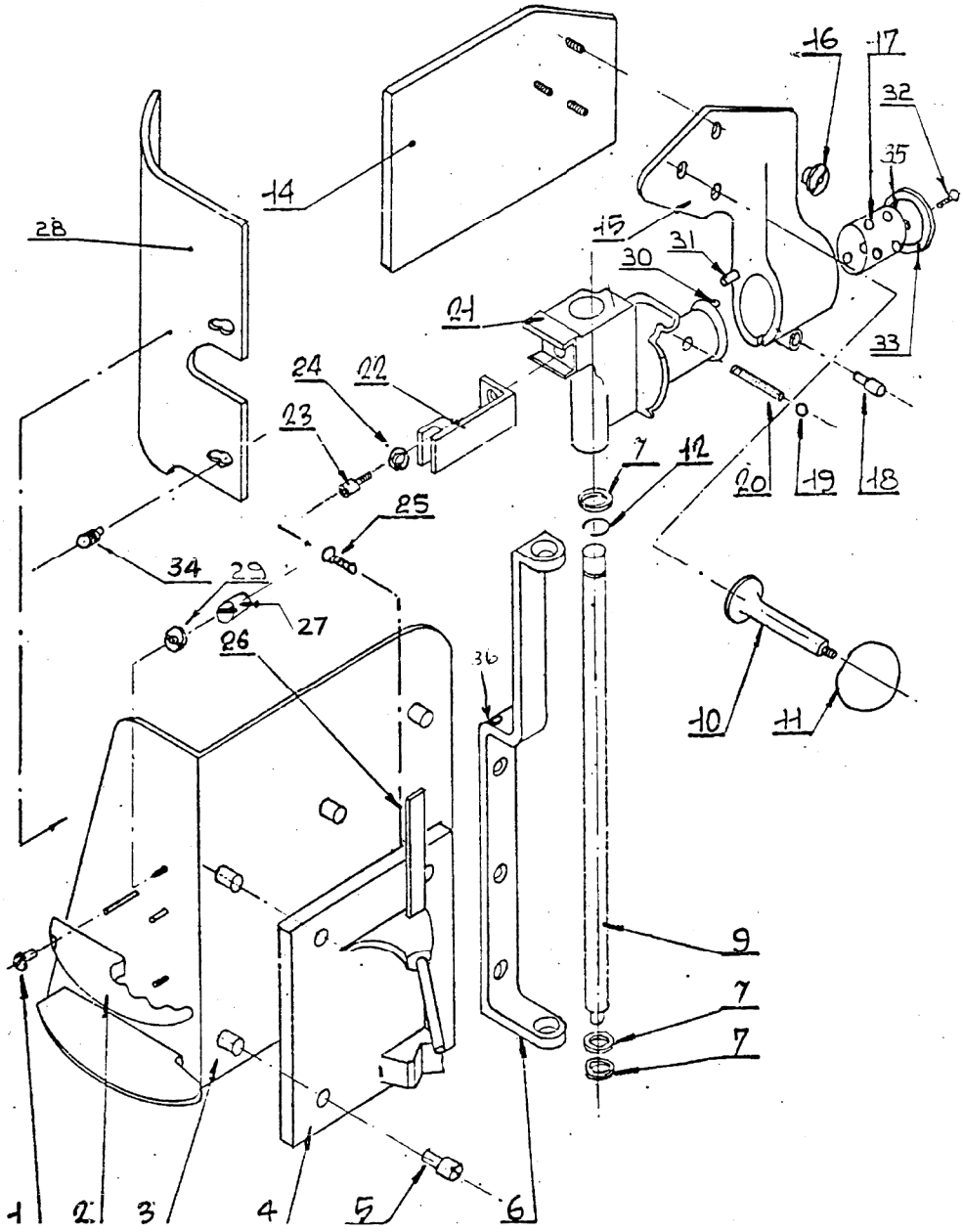
800 INTERIOR



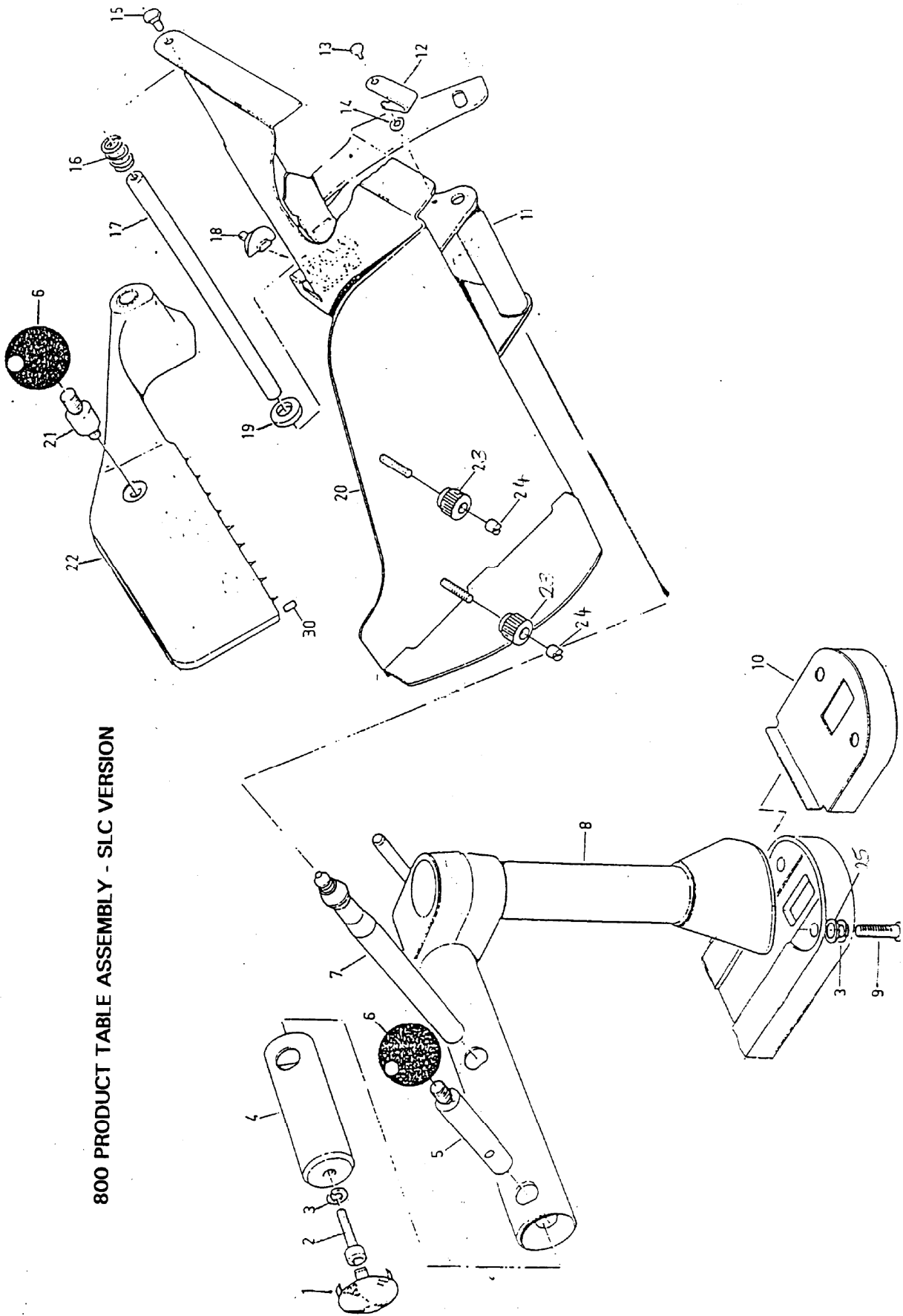
800 SHARPENER ASSEMBLY



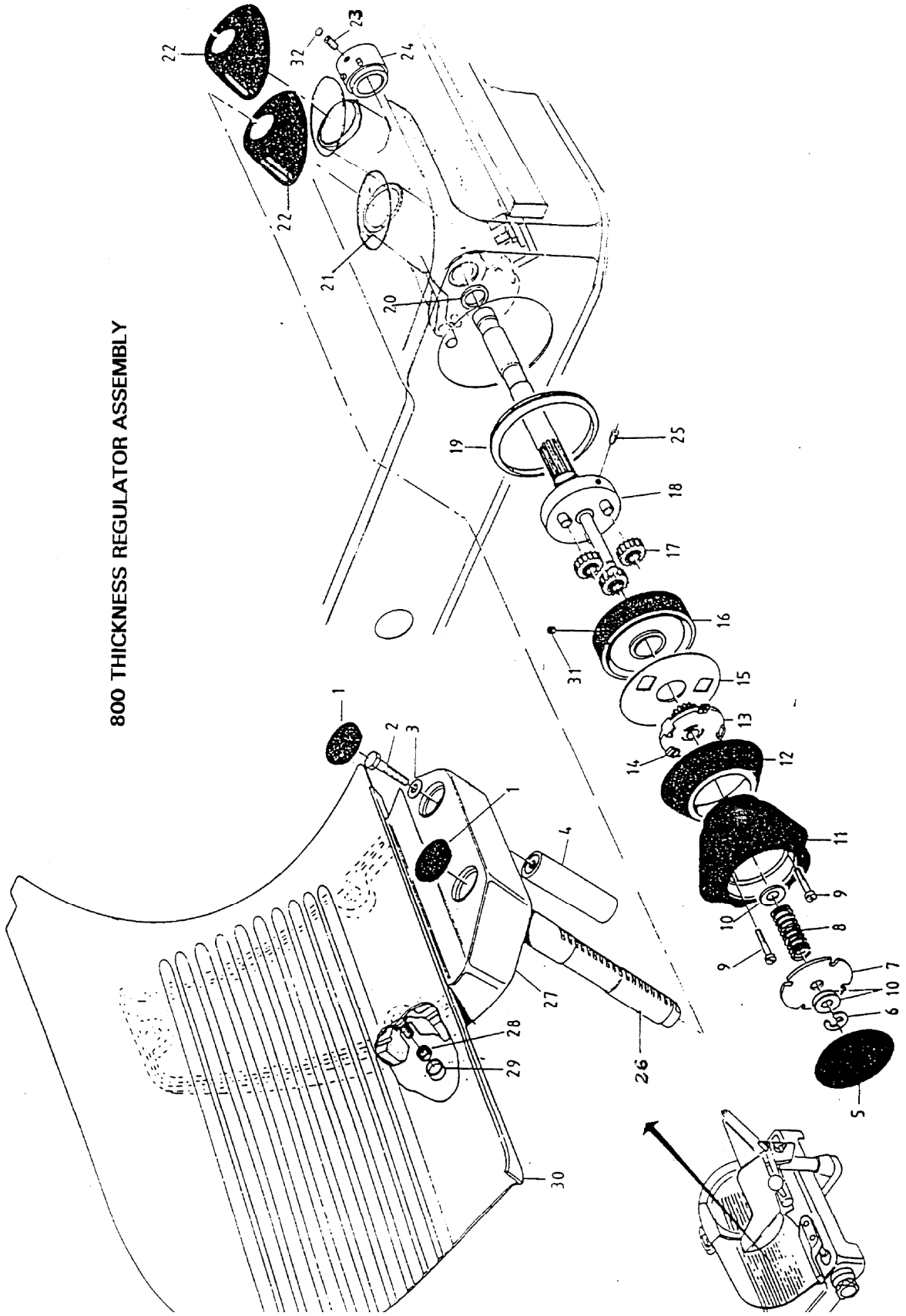
800 PRODUCT TABLE ASSEMBLY - UK VERSION



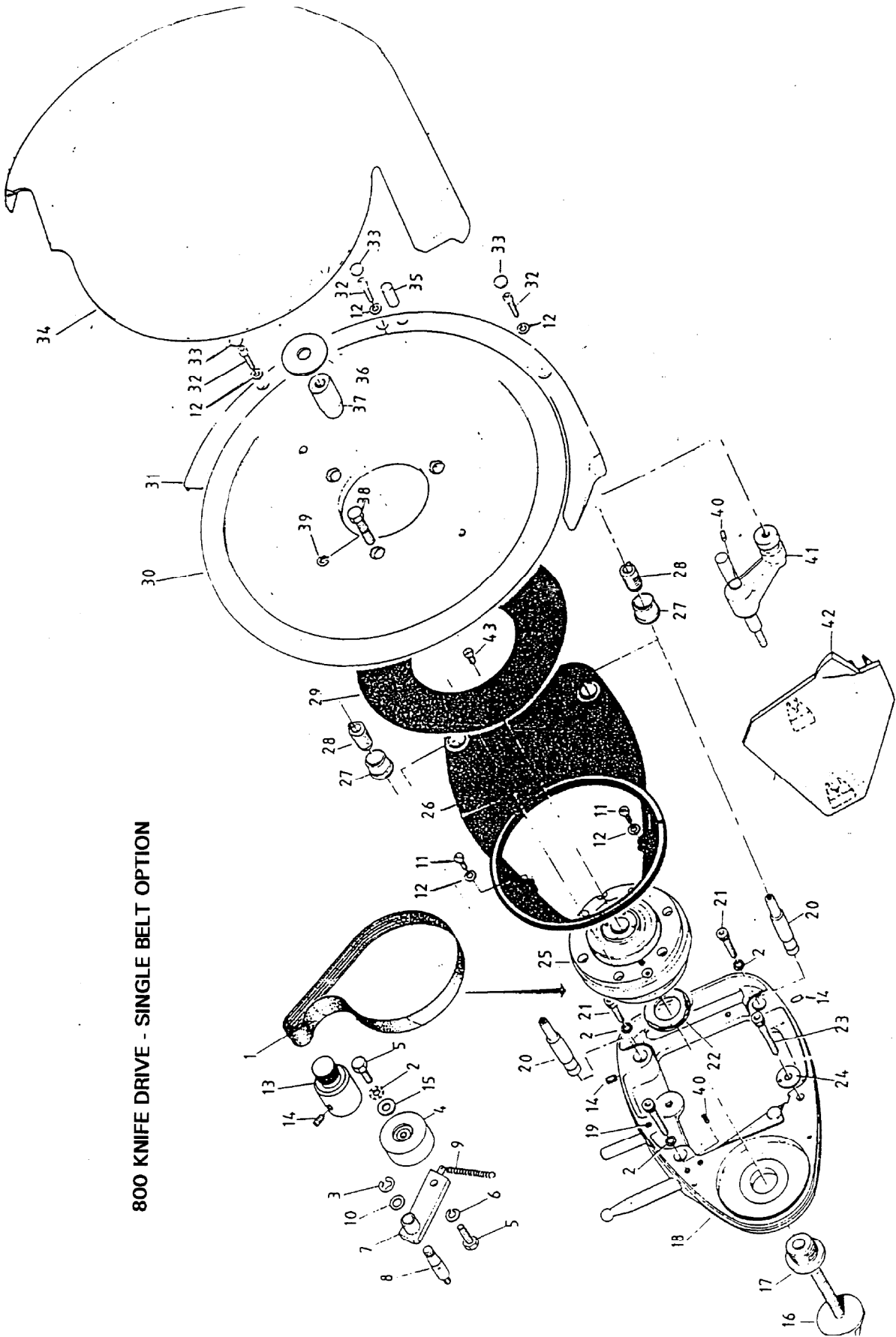
800 PRODUCT TABLE ASSEMBLY - SLC VERSION



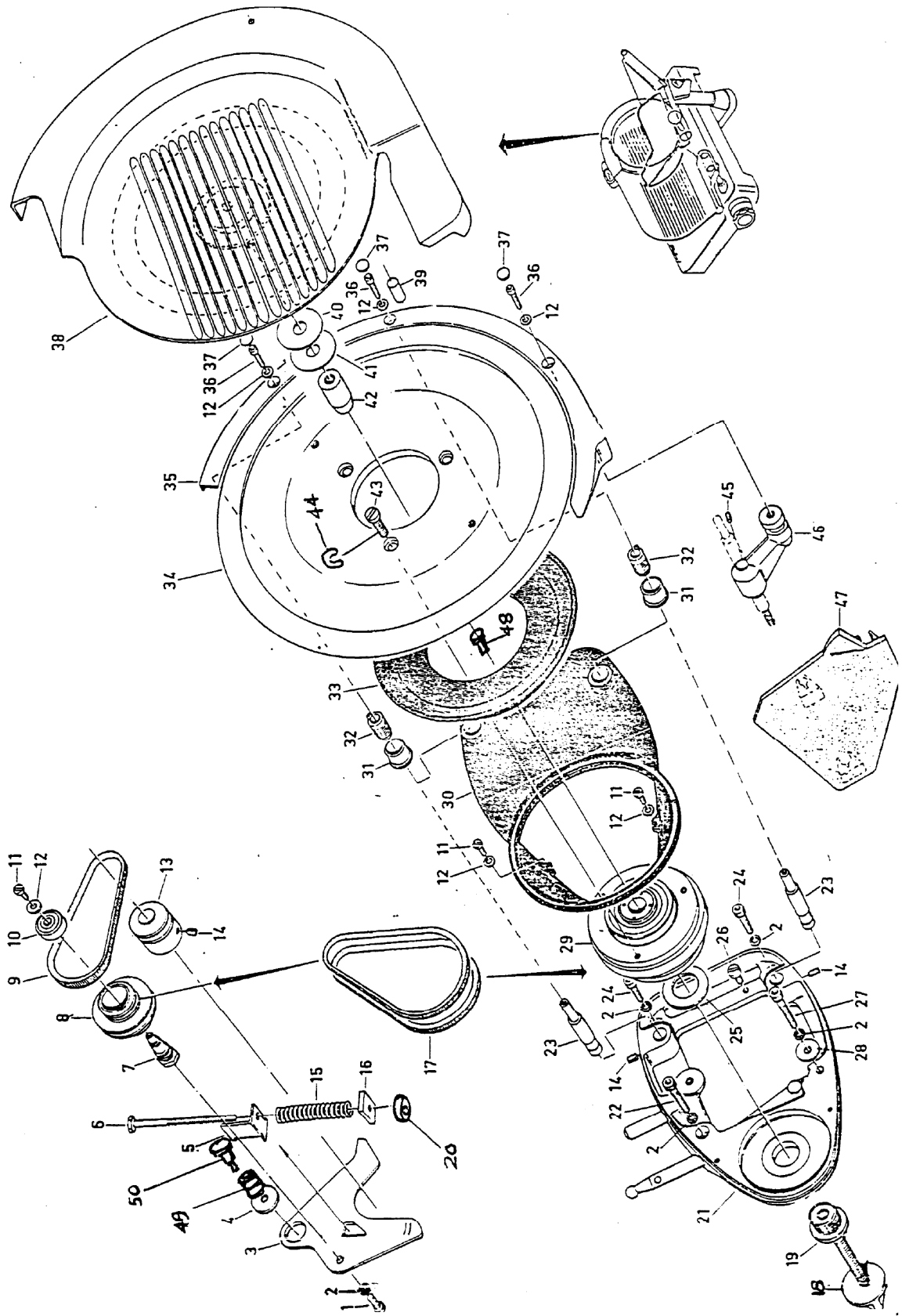
800 THICKNESS REGULATOR ASSEMBLY



800 KNIFE DRIVE - SINGLE BELT OPTION



800 KNIFE DRIVE - DOUBLE VEE BELT OPTION



800 SUPPORT COLUMN FOR MEAT TABLE – UK VERSION

