

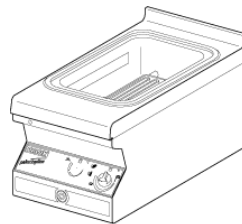
Ersatzteilkatalog

Spare parts list

PALUX Topline Thermik

Topline Vario Kocher

Topline Twin-Go Vario Kocher



Dieser Ersatzteilkatalog ist gültig

- für Topline Thermik, ab Baujahr 1994
- für Topline Thermik Twin-Go, ab Baujahr 1999

Typenübersicht**Topline**

503010 Vario Kocher 400

517887 Vario Kocher 400 mit Ablauf nach hinten (Produziert ab 3. 1996)

503150 Vario Kocher 600 GN 1 1/2 (Ab 1995 nicht mehr produziert)

657735 Vario Kocher 400 mit Heizstrahler

637564 Vario Kocher 400 230V 3 50Hz

635324 Vario Kocher 400 400/400V 3 50/60 Hz Schiffsausführung

700673 Arbeitsplatte 200, mit schwenkbarem Heizstrahler (ab 1999)

730610 Vario Kocher 400 mit Wasserzulauf

730629 Vario Kocher 400 mit Wasserzulauf und Ablauf nach hinten

833193 Vario Kocher 400 mit Heizstrahler 230V 50/60Hz 6,4kW

Topline Twin-Go

686298 Vario Kocher 400 Twin-Go

688428 Vario Kocher 400 Twin-Go, mit Heizstrahler

736104 Vario Kocher Twin-Go mit Ablauf nach hinten

702560 Arbeitsplatte 200, mit Heizstrahler

Inhaltsverzeichnis

Vario Kocher Bedienblende, Thermostat - Seite 4

Vario Kocher Wanne, Heizkörperbefestigung, Thermostat - Seite 6

Vario Kocher Schwenkmechanik Heizkörper - bis 1998 - Seite 8

Vario Kocher Schwenkmechanik Heizkörper - ab 1998 - Seite 10

Vario Kocher Wasserzulauf - Seite 12

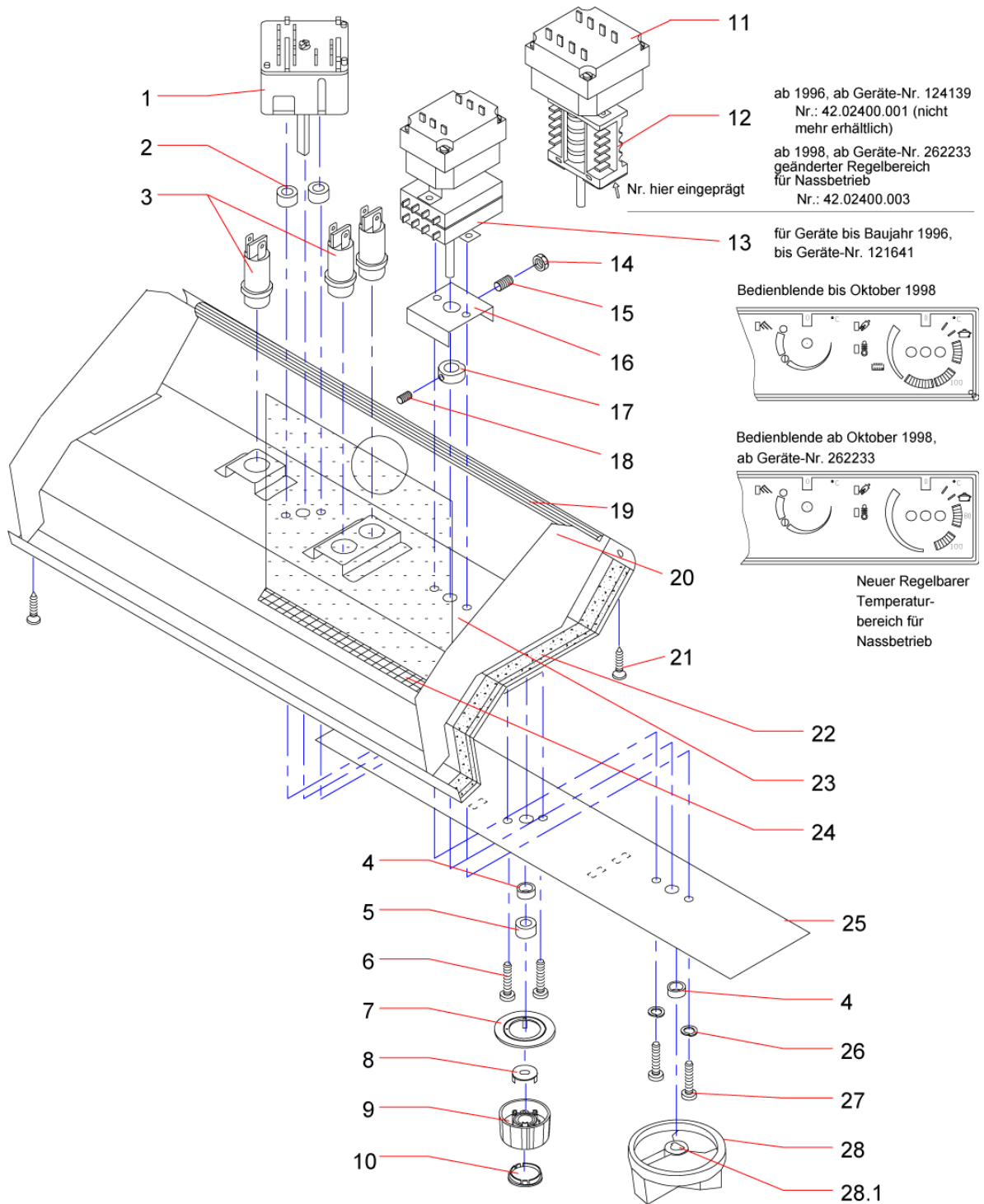
Vario Kocher Wannenauslauf nach vorne - Seite 14

Vario Kocher Wannenauslauf nach hinten (in den Abfluß) - Seite 16

Vario Kocher Elektroanschluß, Anschluß Energieoptimierungsanlage, Potentialausgleich - Seite 18

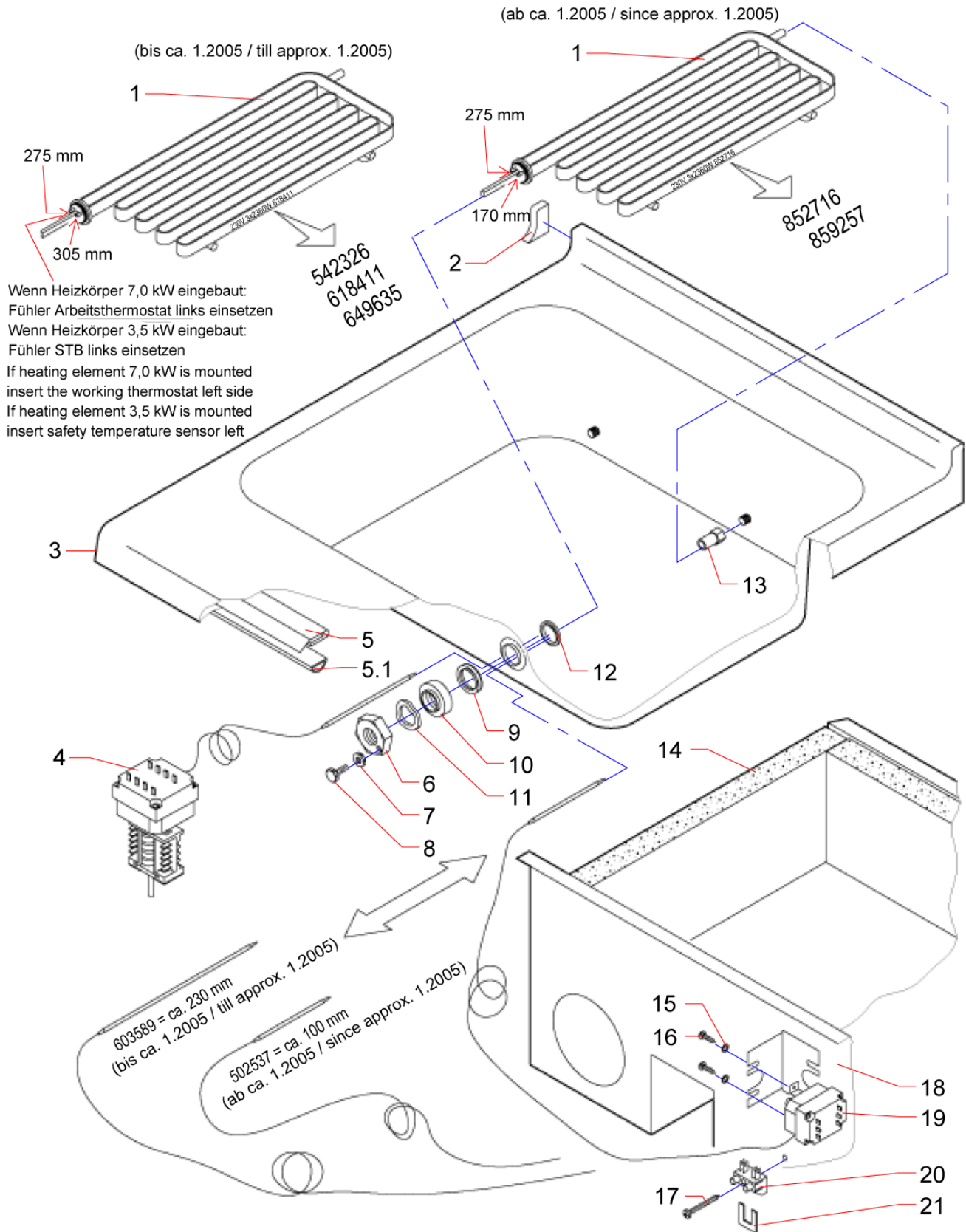
Vario Kocher/Frittenwanne Heizstrahler (Zusatzausstattung Kocher) - Seite 20

front panel, thermostat



Pos.	Description	Article	Historie
1	energy regulator	314544	
2	stop	504882	
3	pilot lamp	395056	
4	hose section	632236	
5	bushing	333832	
6	oval head screw M4X8	333905	
7	washer	325961	
8	antirotation device	334790	
9	round knob w. mark	325929	
10	lid w. mark	325945	
11	capillary tube controller	634980	Ab Ger-Nr. 124139 - 1996 / 262233 - 1998
12	program selector	685380	
13	capillary tube controller	606227	Bis Ger-Nr. 121641 - 1996
14	nut M 5	252867	
15	spring mounted pad	332763	
16	angle	606243	
17	grid disc	606235	
18	threaded pin M 4x8	012653	
19	seal profil	374407	
20	front panel cpl.	502022	
20	front panel cpl.	658871	
20	front panel cpl.	502030	
21	sheet metal screw	059803	
22	silicone foam profile joint	604151	
23	covering foil	648434	
24	adhesive tape	046515	
25	control keypad	609870	
25	control keypad	503258	
25	control keypad	685372	
25	Bedienfolie Vario Kocher 400 mit Wasserzulauf	735922	
25	control keypad	396079	
26	spring lock washer A4	001023	
27	screw M 4X16 DIN 84	037311	
27	screw M 4X6	174084	
28	toggle	393800	
28.1	holder f. button	052965	

pan, heating element, thermostat



Pos.	Description	Article
1	heating element 3500W (not anymore on stock, see below the information)	542326
1	heating element 3x2340W (not anymore on stock, see below the information)	618411
1	heating element 3x1930W/230V (not anymore on stock, see below the information)	649635
1	heating element cpl. 3x2340W (since approx. 1.2005, see below the information)	852716
1	heating element cpl. 3x1930W (since approx. 1.2005, see below the information)	859257
2	sealing plate	648094
3	housing cpl.	
4	capillary tube controller (till mach.no. 121641 - 1996)	606227
4	capillary tube controller (since mach.no 124139 - 1996 / 262233)	634980
4	program selector 42.02400.003 (since mach.no 124139 - 262233)	685380
5	sealing bar 400	619035
5	sealing bar 600	619043
5.1	seal profil	374407
6	clamping nut M 36X1.5	264849
7	nut M 4	003905
8	screw M4X16	189499
9	sealing ring	262153
10	retaining ring deep fat fryer	262161
11	corugated spring lock washer	276308
12	sealing ring	261033
13	bearing bush	604224
14	insulation cuttied set	660965
15	spring lock washer A4	001023
16	screw M 4X6	174084
17	sheet metal screw	068209
18	cover 400	604208
18	cover 600	604216
19	capillary safety temp. thermostat (for heating element 618411 und 649635)	603589
19	capillary safety temp. thermostat (for heating element 852716 und 859257)	502537
20	plug in strip	070858
21	connecting flap	517208

Alternation (FA019324-033)

mounting of an self secured capillary safety temp. thermostat through that we have new

- capillary safety temp. switch, with shorter sensor and
- heating element with shorter securing pipe.

Implementation

since approx. January 2005, since mach.no. 386834

Spare parts exchange

If the heating elements 542326, 618411 or 649635 need to be exchanged by heating element 852716 or 859257 also the safety thermostat 603589 needs to be exchanged through safety thermostat 502537!

Safety hint

Caution! Just the specified combination, heating element with the corresponding safety thermostat are allowed to be used. Otherwise it can give malfunction or break down of the safety thermostat!

heating element - safety temp. switch

618411 <----> 603589 (used till 18.1.2005)

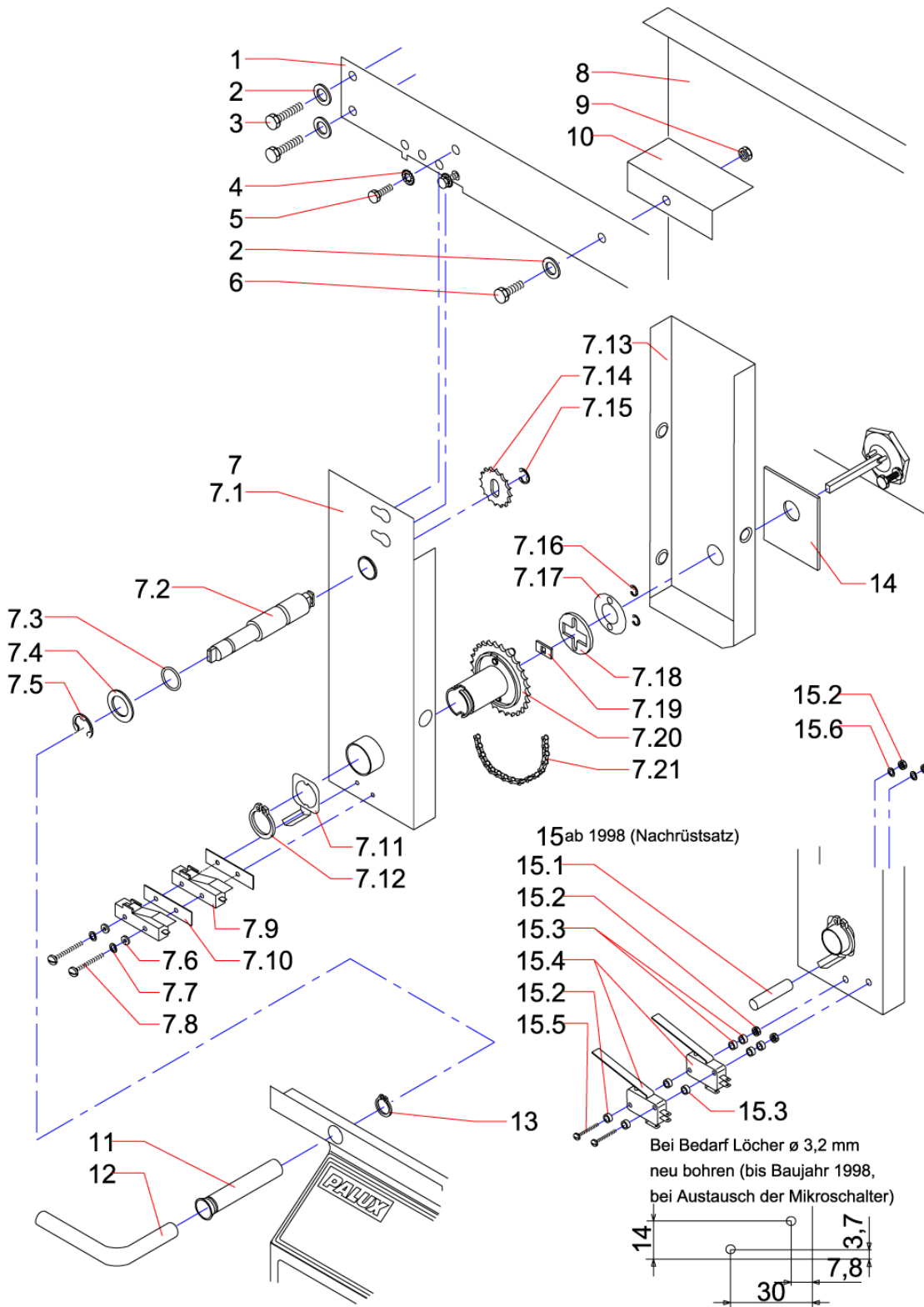
649635 <----> 603589 (used till 18.1.2005)

heating element - safety temp. switch

852716 <----> 502537 (used since 18.1.2005)

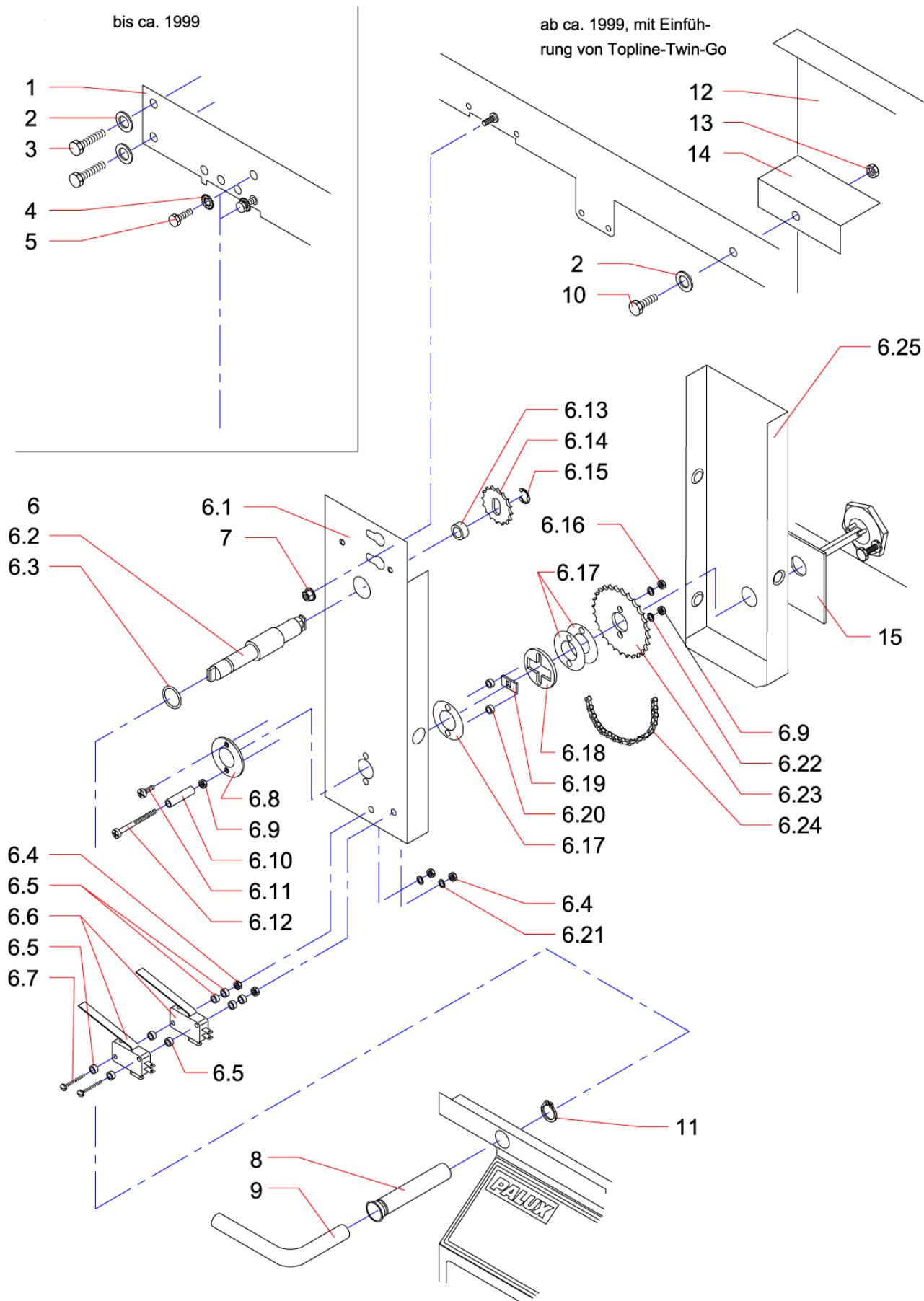
859257 <----> 502537 (used since 18.1.2005)

swivel mechanism - till 1998



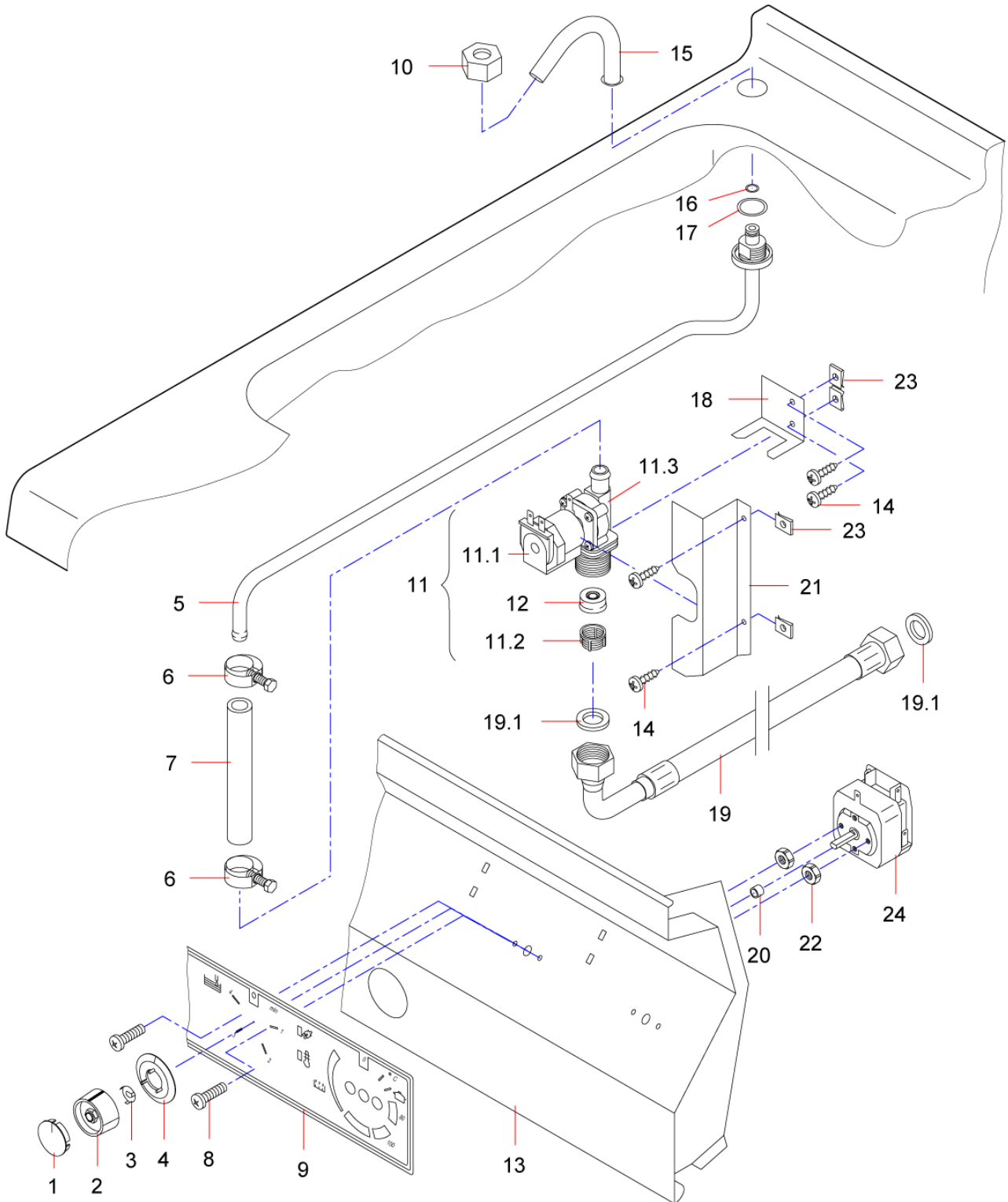
Pos.	Description	Article
1	support 400	539023
2	washer 6,4	004014
3	screw M 6X16	251194
4	serrated lock washer M 5A	012556
5	screw M 5X10	003743
6	screw M 6X10	251836
7	swivel mechanism lass.	
7.1	bracket f.	542318
7.2	shaft	539775
7.3	o-ring (since 1996)	013471
7.4	washer	539287
7.5	lock washer	240168
7.6	washer 3,2	000965
7.7	spring lock washer A3	000418
7.8	screw M 3X40	055719
7.9	Basisschalter (eingebaut bis 1998)	
7.10	base f. switch (till 1998)	288950
7.11	switch plate	539333
7.12	retaining ring	539376
7.13	lid	528714
7.14	chain wheel 16 tooth	539295
7.15	lock washer	053554
7.16	lock washer	013242
7.17	finishing disc	539325
7.18	intermediate disc	539309
7.19	slide support	539317
7.20	shaft	539147
7.21	chain 71 links	539937
8	cover	604208
9	nut M 6	251887
10	mounting sheet (till 1996)	053090
10	angle (since 1996)	271616
11	bushing fp	539007
12	handle	538981
13	retaining ring	055522
14	insulation board	627860
15	micro switch (since 1998)	694223
15.1	insulation tubing	039926
15.2	nut M 3	000396
15.3	insulation bushing	682233
15.4	micro switch	680907
15.5	screw M 3X25	010480
15.5	screw M 3X40	055719
15.6	spring lock washer A3	000418

swivel mechanism - since 1998



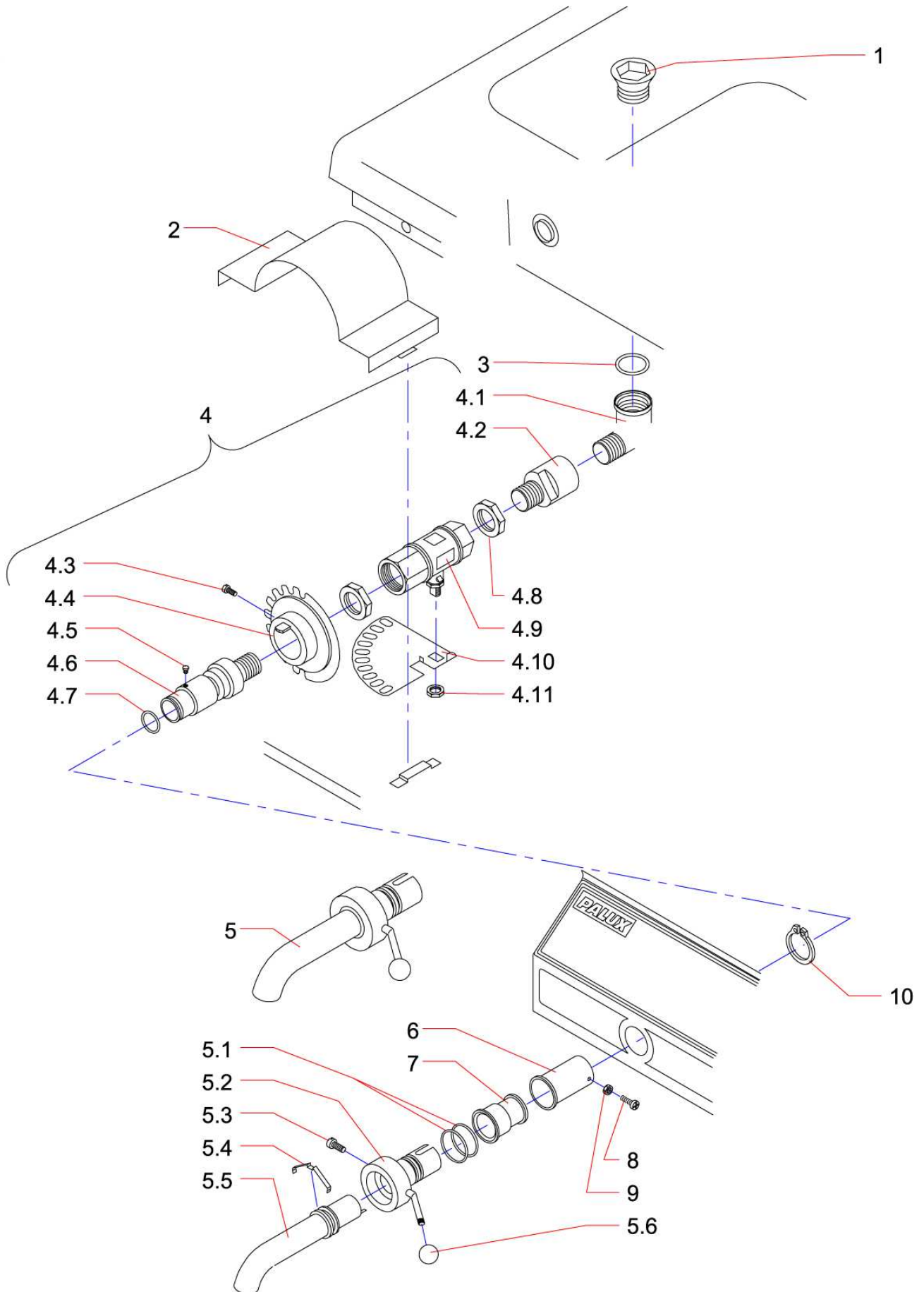
Pos.	Description	Article
1	suppport 400	539023
2	washer 6,4	004014
3	screw M 6X16	251194
4	serrated lock washer M 5A	012556
5	screw M 5X10	003743
6	swivel mechanism ass.	682373
6.1	bracket swiveling mechanism	682365
6.2	shaft swivel support	682357
6.3	o-ring (since 1996)	013471
6.4	nut M 3	000396
6.5	insulation bushing	682233
6.6	micro switch	680907
6.7	screw M 3X40	055719
6.8	washer f. swivel support	682187
6.9	nut M 4	006637
6.10	insulation bushing	682241
6.11	screw M 4X20	010545
6.12	screw M 4X55	258822
6.13	intermediate ring	682179
6.14	chain wheel 16 tooth	539295
6.15	lock washer	053554
6.16	nut M 4	003905
6.17	sheet metal disc	682195
6.18	intermediate disc	682209
6.19	slide support	539317
6.20	bushing	682225
6.21	spring lock washer A3	000418
6.22	spring lock washer A4	001023
6.23	chain wheel 28 tooth	682217
6.24	chain 71 links	539937
6.25	lid	682381
7	kombi nut w. washer	541397
8	bushing fp	539007
9	handle	538981
10	screw M 6X10	251836
11	retaining ring	055522
12	cover	604208
13	nut M 6	251887
14	angle	271616
15	insulation board	627860

water inlet



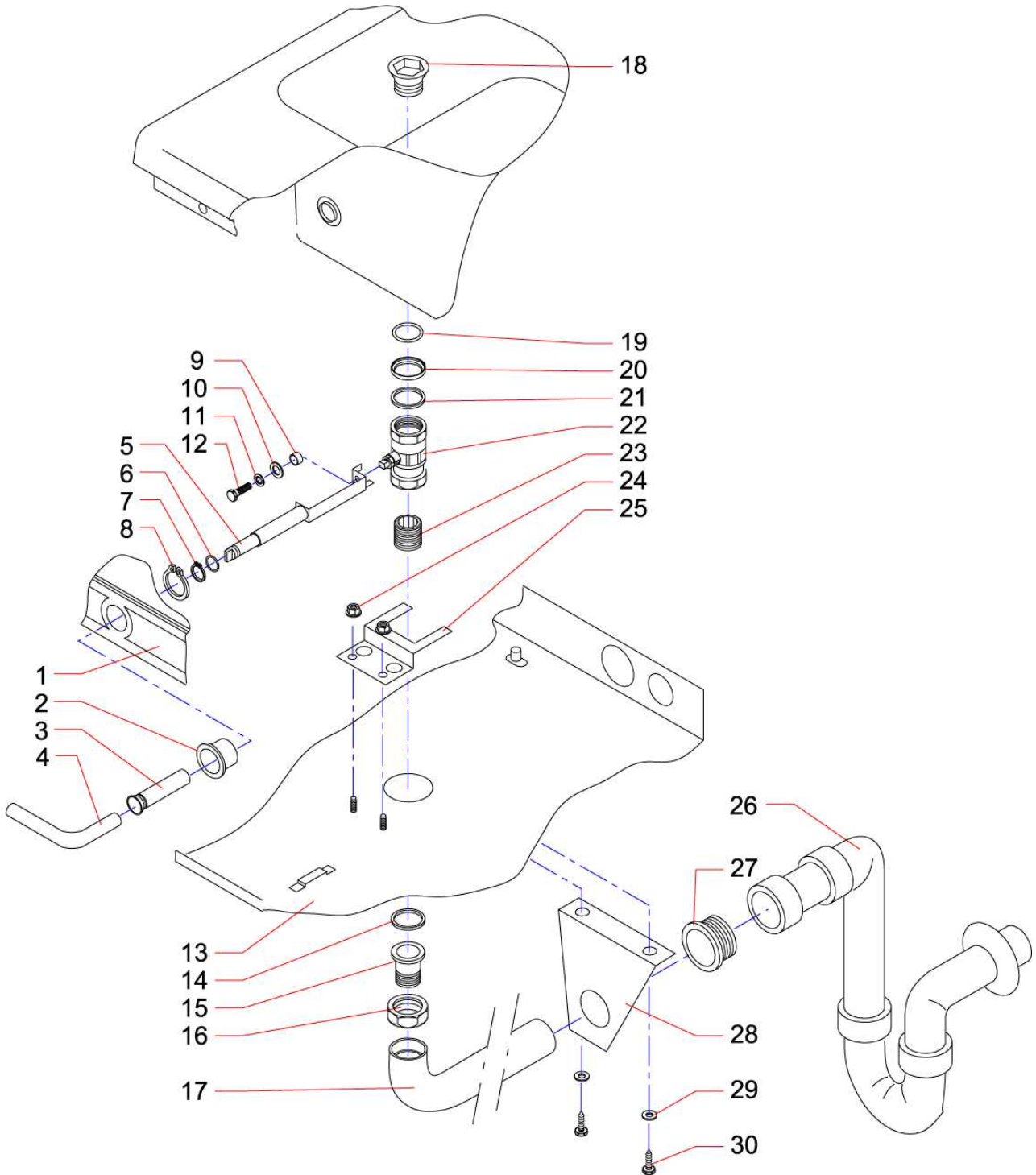
Pos.	Description	Article
1	LID W. MARK	325945
2	CIRCULAR KNOB W. MARK	325929
3	ANTI-ROTATION ELEMENT	334790
4	WASHER W. MARK	325961
5	water inlet pipe cpl.	730572
6	HOSE CLAMP NS	276634
7	HOSE D12 x D18.5	272159
8	OVAL-HEAD SCREW M4x8	333905
9	control keypad 400 water inlet	735922
10	cap nut 1/2	605077
11	SINGLE SOLENOID VALVE	334944
11.1	MAGNETIC COMPONENT V220-053	297313
11.2	FILTER D=19.2 RED	324353
11.3	valve	
12	DURCHFLUSSMENGENREGLER	736252
13	FRONT PANEL CPL.	502022
14	SHEET-METAL SCREW B 3.9x16	059803
15	water inlet	365734
16	O-RING D6.75x1.78	633542
17	O-RING D 22.00x2 DIA 22x2 RUBBER	080373
18	angle bracket solenoid valve	731358
19	braided hose G3/4-G3/4 Zoll	719560
19.1	Sealing 3/4	702412
20	HOSE SECTION	632236
21	cover solenoid valve	730645
22	NUT M 5	252867
23	SNAP-ACTION NUT B3.9	227889
24	Timer SYNCHRON	730580

tube outlet



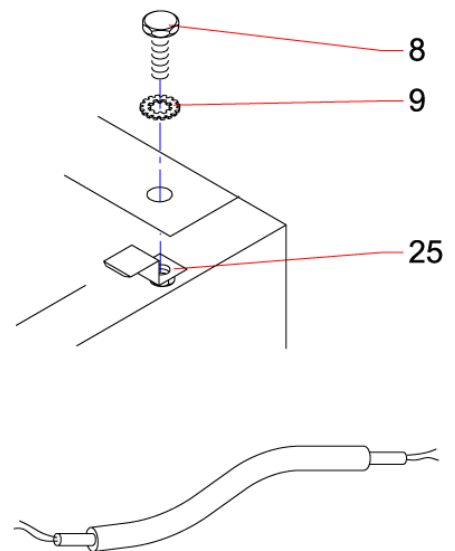
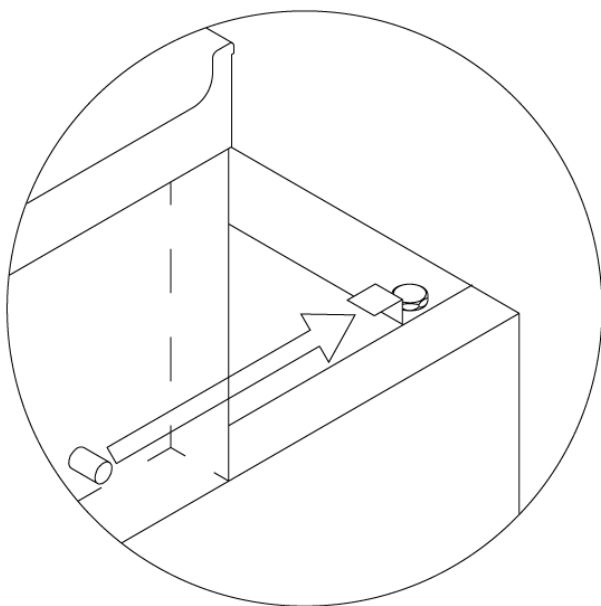
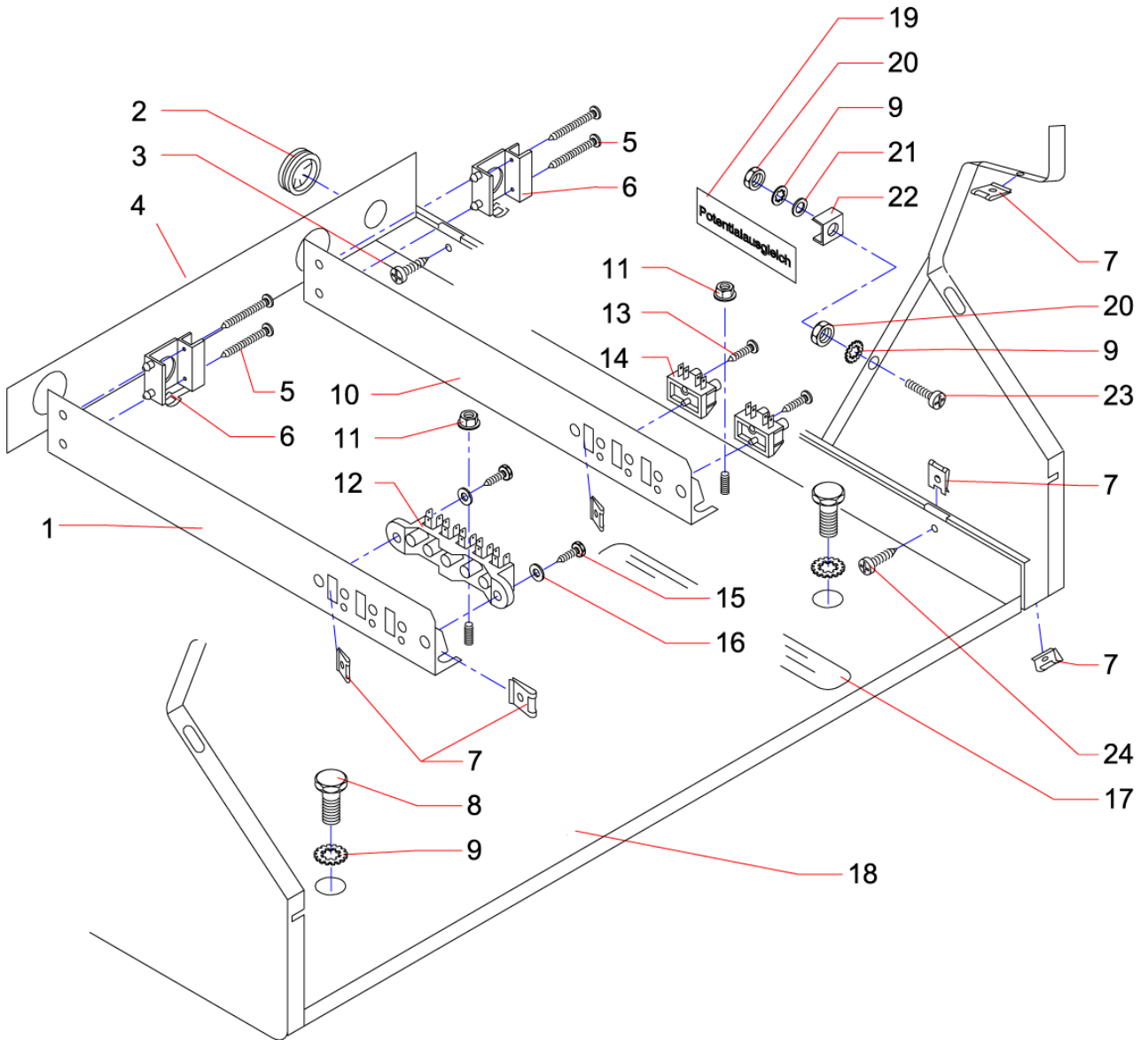
Pos.	Description	Article
1	screw	640999
2	protective cap	504831
3	o-ring	272825
4	outlet pre ass.	542296
4.1	bend 90GR. R3/4	316415
4.2	intermediate piece	538124
4.3	screw M3x4	533270
4.4	hub	533211
4.5	guide pin	533122
4.6	basic body	533998
4.7	o-ring	533300
4.8	nut R 1/2"	001260
4.9	gas ball valve	375470
4.10	toothed segment	533173
4.11	Mutter M7	859095
5	outlet piece	502081
5.1	o-ring	533319
5.2	turning sleeve	502138
5.3	screw M 4X6	174084
5.4	brake spring	533203
5.5	outlet piece	502111
5.6	ball button	533254
6	support bushing	534013
7	sliding sleeve	534021
8	screw M 3X8	010383
9	nut M 3	000396
10	retaining ring	502340

flow to the rear



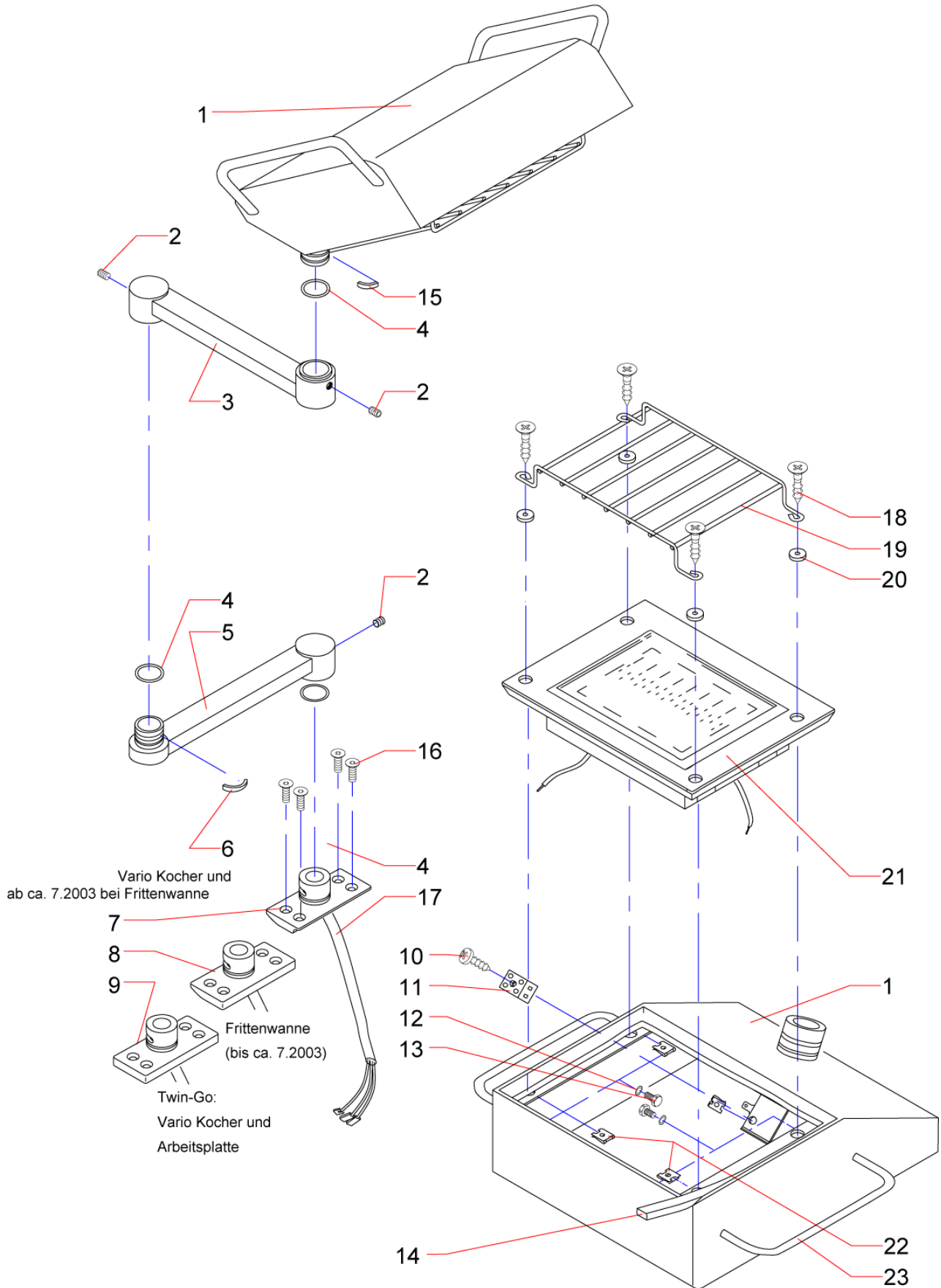
Pos.	Description	Article
1	front panel cpl.	502022
2	wrench insert	517704
3	bushing fp	539007
4	handle	538981
5	operating ball valve cpl.	517763
6	o-ring	013471
7	retaining ring	055522
8	retaining ring	502340
9	spacer sleeve	517801
10	washer 4,3	026999
11	spring lock washer A4	001023
12	screw M 4X10	068217
13	bottom frontside cpl. 400	517666
14	seal 17X23X1.5	265187
15	connector	517836
16	cap nut	222070
17	draining pipe cpl.	517755
18	screw	640999
19	o-ring	272825
20	connecting ring	517828
21	sealing ring A27x32x2	215740
22	ball tap	728969
23	extension	724785
24	kombi nut w. washer	377740
25	antirotation device	517682
26	drain combination	639095
27	boot	640824
28	catch for drain pipe	517674
29	serrated lock washer A6.4	006777
30	screw M 6X10	251836

connection unit



Pos.	Description	Article
1	mounting sheet (changed 10.2004)	604674
2	diaphragm bushing	232963
3	screw M 4X12	010537
4	bottom backside 400	502162
5	sheet metal screw	248703
6	clamp	248002
7	snap action nut B3.9	227889
8	screw M 6X16	251194
9	serrated lock washer A6.4	006777
10	mounting sheet	527629
11	kombi nut w. washer	377740
12	mains connecting block, bolt mounting (till appr. 10.2004)	002186
12	mains connecting clamp 400V/40A 5-pole (since appr. 10.2004)	829927
13	sheet metal screw	068209
14	plug in strip	070858
15	sheet metal screw	059803
16	washer 4,3	026999
17	adhesive label	621382
18	bottom frontside cpl.	605905
19	adhesive label	217360
20	nut M 6	251887
21	washer 6,4	004014
22	terminal bracket	223697
23	screw M 6X20	010731
24	sheet metal screw	031720
25	appliance holder	503479
	cable cpl.	189251
	cable cpl.	331384
	cable harness	539724
	cable cpl.	539740
	cable harness	504785
	cable harness	604895
	cable harness	637505
	cable harness	539724
	cable cpl.	637521
	cable cpl.	637513
	wiring diagram	634972

heat emitter (option Vario Cooker)



Pos.	Description	Article
1	outer part	608912
2	threaded pin M 6x6	549312
3	swivel arm	546364
4	o-ring	061255
5	lower swivel arm	609838
6	insert piece 90°	661791
7	base plate	609706
8	base plate	550396
9	base plate	609706
10	sheet metal screw	068209
11	connector	031704
12	toothed washer 5,3	304816
13	screw M 5X10	003743
14	silicone foam profile joint	604151
15	insert piece 135°	661805
16	screw M 5x16	550426
17	connection cable	608998
18	sheet metal screw	022160
19	cover	650307
20	washer 4,3	001007
21	front panel	921661
22	snap action nut B3.9	227889
23	handle	326860
	cable cpl.	320943
	cable cpl.	621714
	cable cpl.	086983
	cable harness	621722

PALUX Aktiengesellschaft, Wilhelm-Frank-Straße 36, 97980 Bad Mergentheim
Telefon (0 79 31) 55-0, Telefax (0 79 31) 55 88 600

Artikel-Nr. für Ersatzteilkatalog in Papierversion: 607010

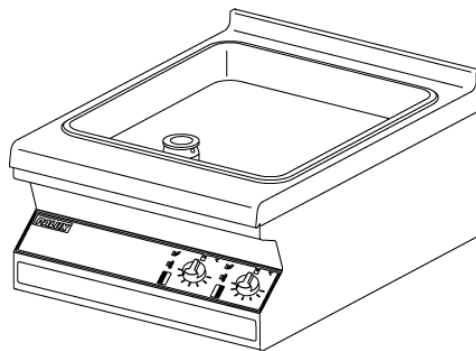
Ersatzteilkatalog

Spare parts list

PALUX Topline Thermik

Topline Vario Bräter

Topline Twin-Go Vario Bräter



Dieser Ersatzteilkatalog ist gültig

- Topline Thermik ab Baujahr 1994 / Topline Thermik since year of production 1994
- Topline Thermik Twin-Go ab Baujahr 1999 / Topline Thermik Twin-Go since year of production 1999

Typenübersicht

502650 Vario Bräter 400 4.8 kW 400V AC 3N

502707 Vario Bräter 600 7.0 kW 400V AC 3N

688290 Vario Bräter 400 Twin-Go 4.8 kW 400V AC 3N

686328 Vario Bräter 600 Twin-Go 7.0 kW 400V AC 3N

Inhaltsverzeichnis

Gehäuse, Druckrahmen, Heizkörper - Seite 4

Gehäuse, Druckrahmen, Heizkörper, ab 5.00 - Seite 6

Ablauf nach unten, bis 4.00 - Seite 8

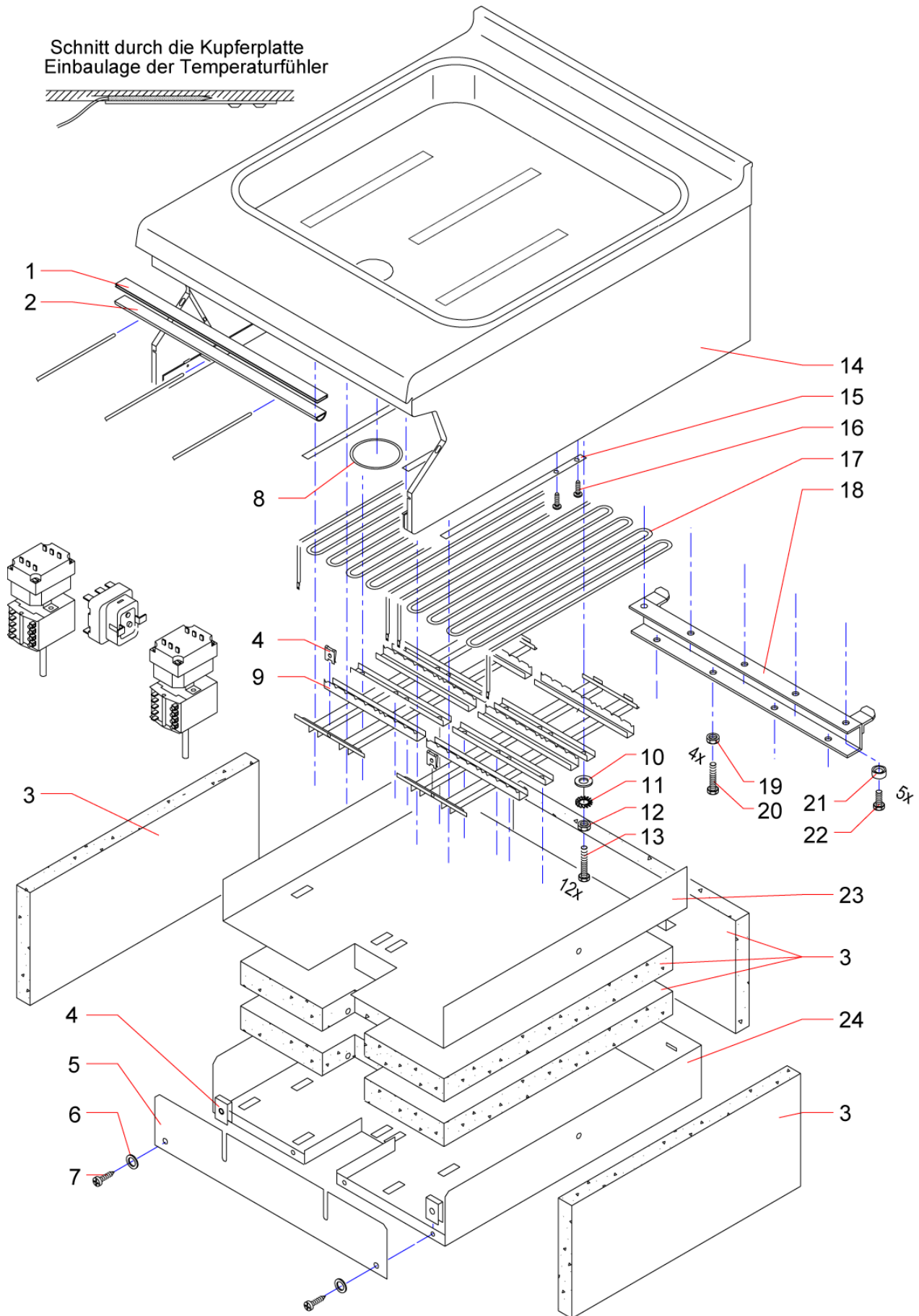
Ablauf nach unten, Unterbau, ab 5.00 - Seite 10

Anschlusseinheit, Befestigung Unterbau, - Seite 12

Frontblende, Bedienungselemente - Seite 14

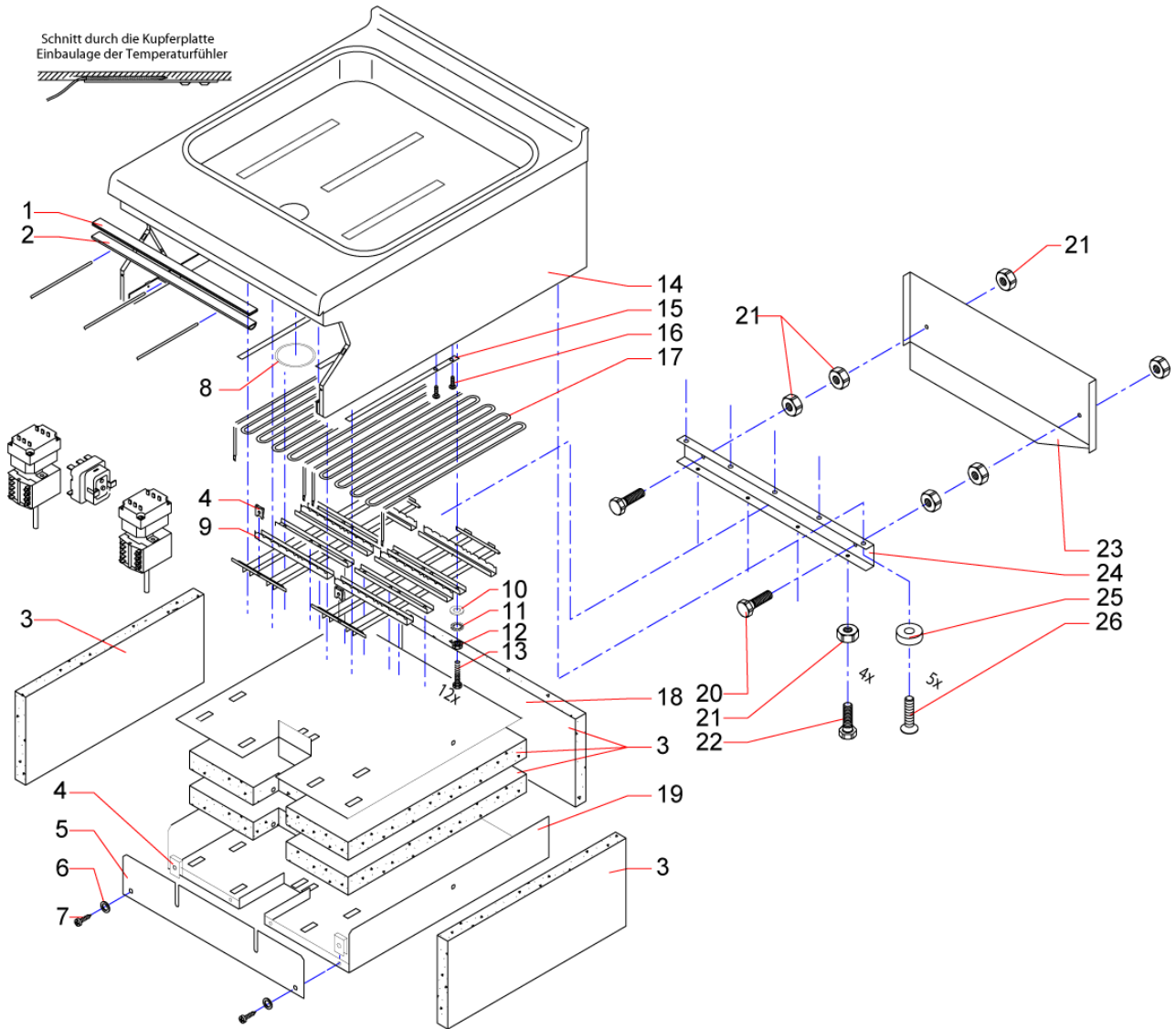
Fahrbarer Unterbau - Seite 16

housing, heating element



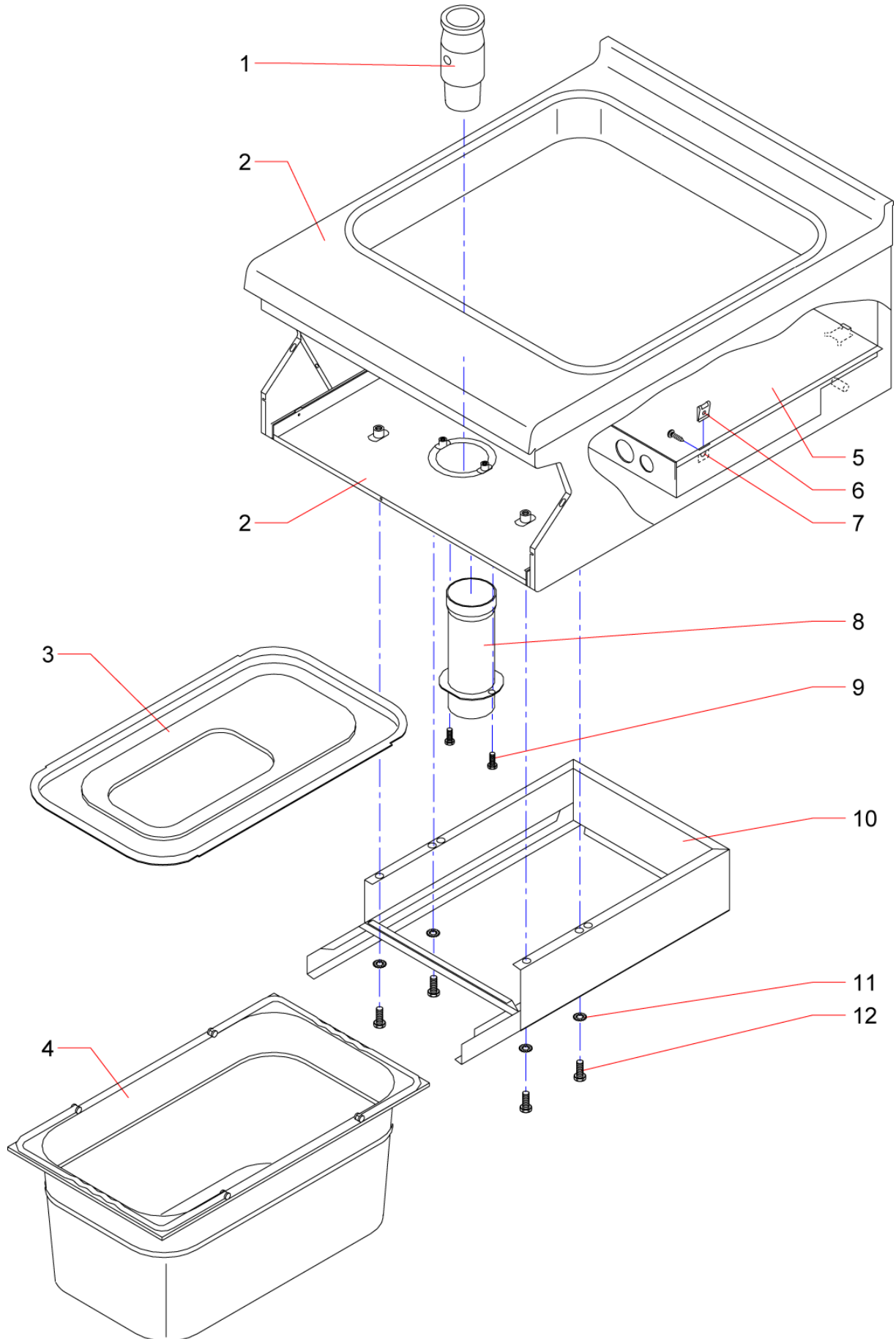
Pos.	Description	Article
1	sealing bar 400	619035
1	sealing bar 600	619043
2	seal profil	374407
3	insulation cuttied set 400	660930
3	insulation cuttied set 600 (till 6.2001)	733091
3	iso clips	278513
4	snap action nut B3.9	227889
5	end plate 400	664219
5	end plate 600 (till 6.2001)	664928
6	spring lock washer A4	001023
7	sheet metal screw	031720
8	o-ring	683833
9	pressure frame 600 (till 1996)	604852
9	pressure frame 400	604844
10	washer 6,4	004014
11	serrated lock washer A6.4	006777
12	nut M 6 DIN 439	000752
13	screw M 6x35	705284
14	casing Kombi pan 400	604755
14	casing Kombi pan 600	604763
14	casing 400 vario pan double sided	688304
14	casing vario pan 600 double sided	686670
15	guard f. sensor	502987
16	screw M 4x5	542237
17	heating element	501816
17	heating element	501808
18	support rail	604879
18	support rail	604887
19	nut M 6	251887
20	screw M 6X30	301396
21	plain washer	163732
22	screw M 6X10	251836
23	insulation sheet 400	502928
23	insulation sheet 600	502936
24	insulating case	605913
24	insulating case	605921

housing, heating element, since 5.00



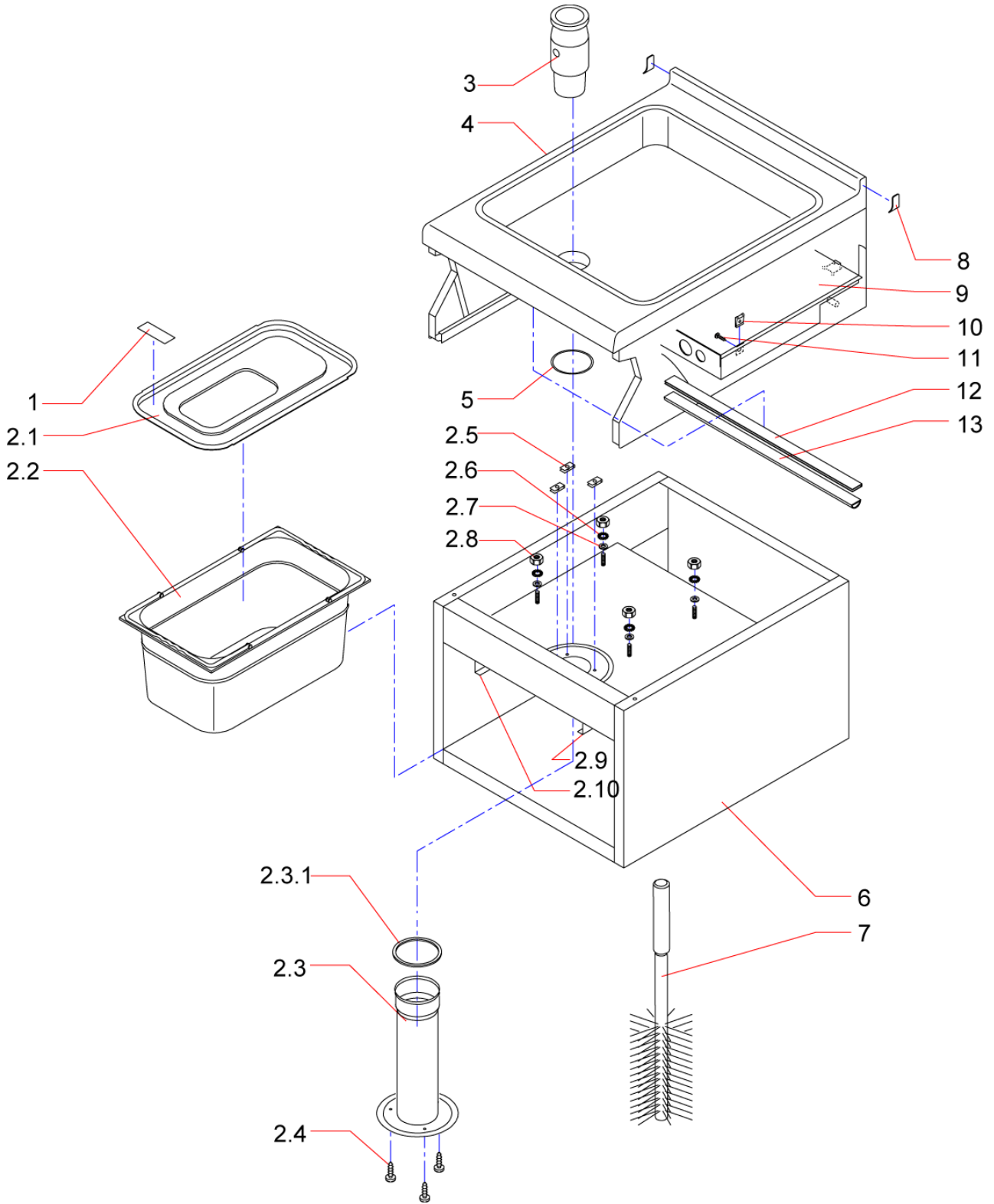
Pos.	Description	Article
1	sealing bar 600	619043
2	seal profil	374407
3	insulation cuttied set (since 7.2001)	733091
3	iso clips	278513
4	snap action nut B3.9	227889
5	end plate (since 7.2001)	000663
6	spring lock washer A4	001023
7	sheet metal screw	031720
8	o-ring	683833
9	pressure frame VBM (since 7.2001)	621390
10	washer 6,4	004014
11	serrated lock washer A6.4	006777
12	nut M 6 DIN 439	000752
13	screw M 6x35	705284
14	casing Kombi pan 600	604763
14	casing vario pan 400 double sided	686670
15	guard f. sensor	502987
16	screw M 4x5	542237
17	heating element	501816
18	insulation sheet (since 7.2001)	732788
19	insulating case (since 7.2001)	732818
20	screw M 6X25	00393*
21	nut M 6	251887
22	screw M 6X30	301396
23	insertable plate (since 7.2001)	726044
24	support rail (since 7.2001)	720437
25	plain washer	163732
26	screw M 6X10	251836

drain to 4.00



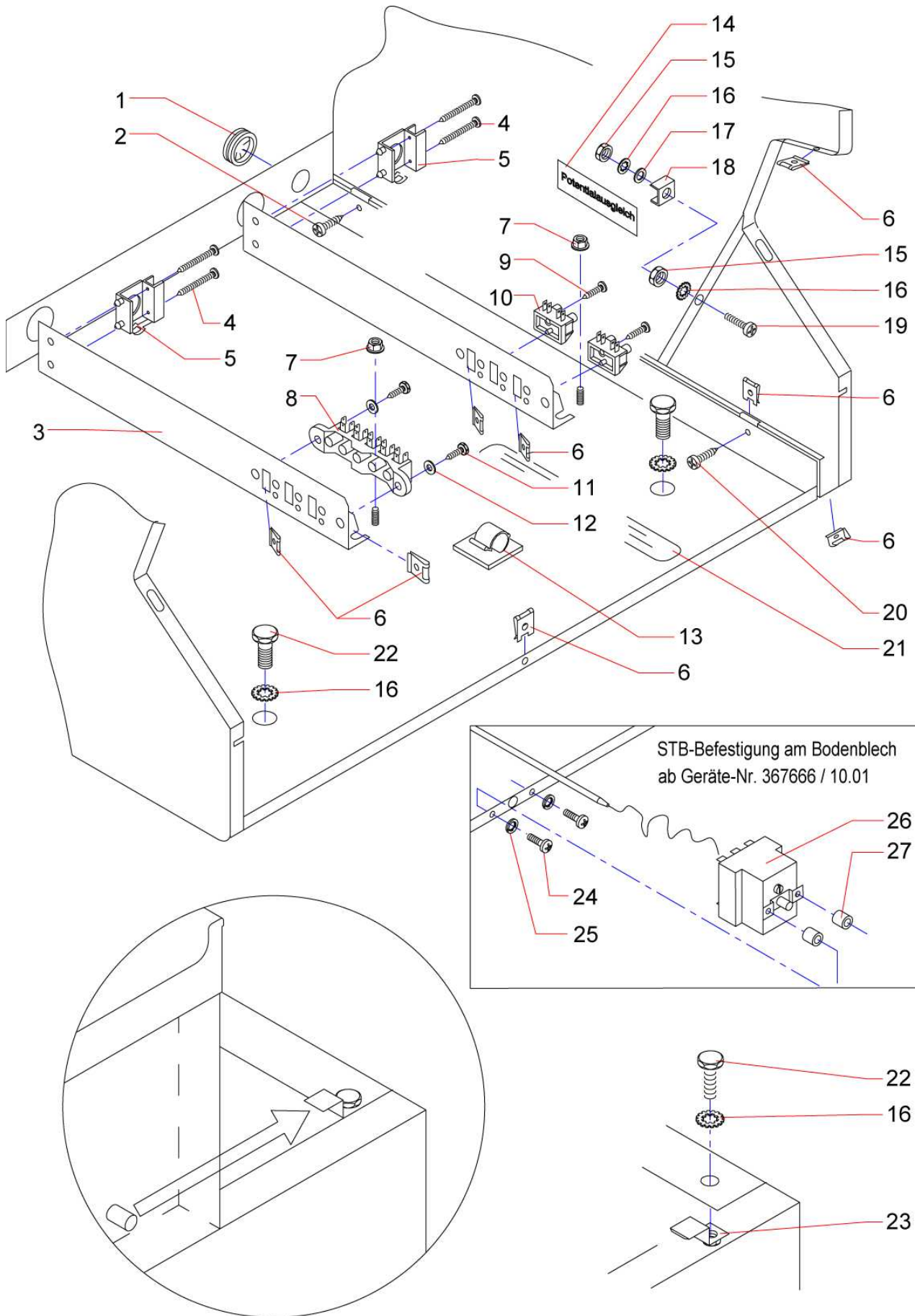
Pos.	Description	Article
1	drainage plug for Topline Vario Pan	502073
2	bottom frontside cpl. 600	502642
2	bottom frontside cpl. 400	502634
3	lid 1/1 perforated	615196
4	container GN 1/1 - 200 mm deep	607207
5	bottom backside 400	502162
5	bottom backside 600	502316
5	bottom backside 400 Twin-Go	686476
5	bottom backside 600 Twin-Go	686492
6	snap action nut B3.9	227889
7	sheet metal screw	031720
8	draining pipe cpl. (till 4.2000)	502898
8	draining pipe cpl.	693057
9	screw M4X16 (till 4.2000)	189499
10	insert frame cpl.	608165
11	serrated lock washer A6.4 (till 4.2000)	006777
12	screw M 6X10	251836
	cleaning brush vario pan	614319
	container GN 1/1 - 200 mm deep	607207
	container GN 1/2 200 mm	609862
	lid 1/1 perforated	502545
	lid 400mm vario pan	502685
	lid 600 mm vario pan	502693
	adhesive label	628891
	users instructions pan D	603767
	users instructions pan eng.	629243
	users instructions pan NL	629251
	users instructions pan	655406

drain since 5.00



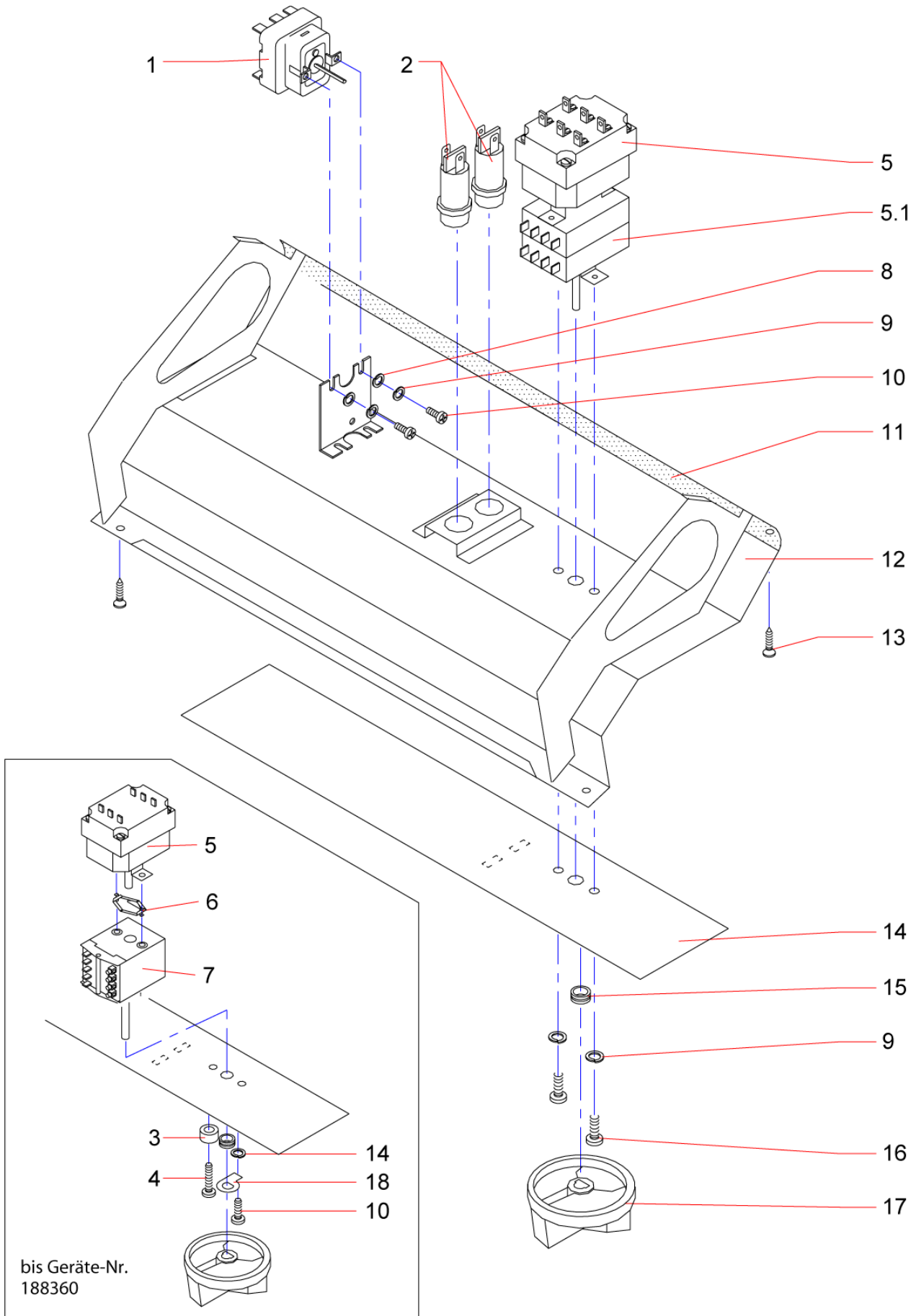
Pos.	Description	Article
1	adhesive label	628891
2.1	lid 1/1 perforated	615196
2.2	container GN 1/1 - 200 mm deep	607207
2.3	draining pipe cpl.	693057
2.3.1	silicone foam profile joint	604151
2.4	sheet metal screw	011908
2.5	snap action nut B3.9	227889
2.6	serrated lock washer A6.4	006777
2.7	washer 6,4	000582
2.8	nut M 6 DIN 439	000752
2.9	U- rail right	723746
2.10	U- rail left	723738
3	drainage plug for Topline Vario Pan	502073
4	Gehäuse kpl.	
5	o-ring	683833
6	Unterbau UGVB...	
7	cleaning brush vario pan	614319
8	sealing plate	648094
9	bottom backside	502316
10	snap action nut B3.9	227889
11	sheet metal screw	031720
12	sealing bar 600	619043
13	seal profil	374407

connection unit



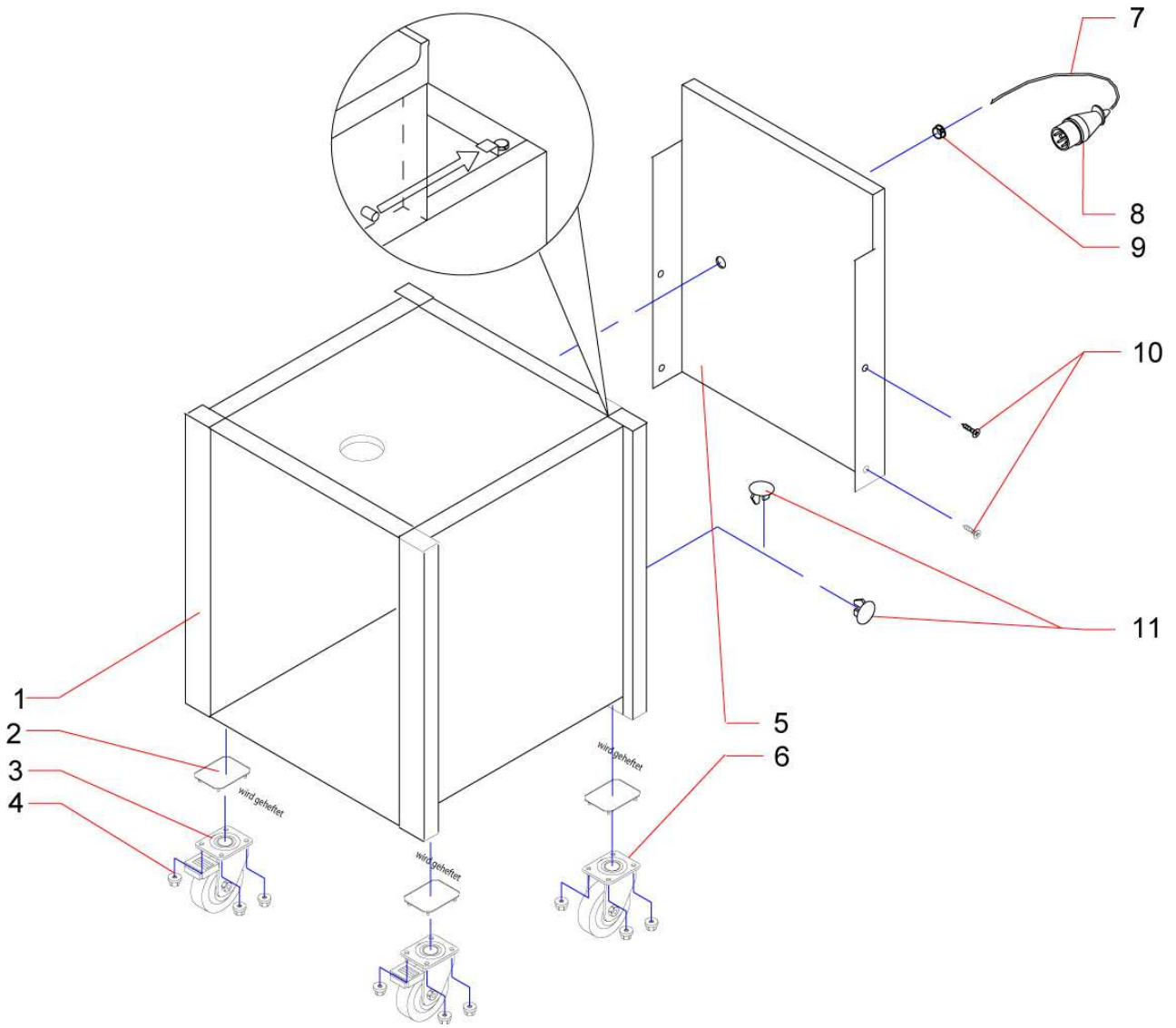
Pos.	Description	Article
1	diaphragm bushing	232963
2	screw M 4X12	010537
3	mounting sheet (changed 10.2004)	527629
4	sheet metal screw	248703
5	clamp	248002
6	snap action nut B3.9	227889
7	kombi nut w. washer	377740
8	mains connecting block, bolt mounting (till appr. 10.2004)	002186
8	mains conneting clamp 400V/40A 5-pole (since appr. 10.2004)	829927
9	sheet metal screw	068209
10	plug in strip	070858
11	sheet metal screw	059803
12	washer 4,3	026999
13	cable clip	026301
14	adhesive label	217360
15	nut M 6	251887
16	serrated lock washer A6.4	006777
17	washer 6,4	004014
18	terminal bracket	223697
19	screw M 6X20	010731
20	sheet metal screw	031720
21	adhesive label	621382
22	screw M 6X16	251194
23	appliance holder	503479
24	screw M 4X16 DIN 84	037311
25	spring lock washer A4	001023
26	capillary tube cont. STB	502537
27	spacer sleeve	603627
	cable harness	331341
	cable cpl.	331384
	cable harness	502324
	cable cpl.	189251
	cable harness	504785
	cable harness	504793
	cable harness	504807
	cable cpl.	331384
	cable cpl.	654310
	cable harness	654299
	cable harness	654302
	cable cpl.	654310

operator panel



Pos.	Description	Article
1	capillary tube cont. STB	502537
2	pilot lamp	395056
3	stop (till machine number 188360)	504882
4	screw M 4X8 (till machine number 188360)	014249
5	capacitive regulator 60-300 (till machine number 188360)	224081
5	capillary tube controller (since machine number 188360)	631981
5.1	rotary selector switch	325384
6	connecting bow (till machine number 188360)	086223
7	rotary selection switch (till machine number 188360)	086312
8	washer 4,3	001007
9	spring lock washer A4	001023
10	screw M 4X8	001015
11	seal profil (till 1.1996)	374407
12	front panel cpl.	502057
12	front panel cpl.	658871
12	front panel cpl.	502065
13	sheet metal screw	263109
14	control keypad 400 (till 4.1997)	503215
14	control keypad 600 (till machine number 183360)	503223
14	control keypad 400 Twin-Go	654272
14	control keypad 600 Twin-Go	654280
14	control keypad	396079
14	control keypad	396087
15	hose section	632236
16	screw M 4X6 (since machine number 188360)	174084
17	toggle	393800
17	holder f. button	052965
18	stop (till machine number 188360)	606103

mobile underbody



Pos.	Description	Article
1	Unterbau-Geräte-Schrank für Topline Vario Bräter	
2	roller plate	661651
3	guide roller with lock	49481*
4	nut M 6	614742
5	rear panel	661678
5	rear panel	661694
6	guide roller	494828
7	mains cable	311758
8	CEE connector 5x16 Amp.	649570
9	snap fitting	140937
10	oval head screw M4X8	333905
11	covering cap	017779
	mounting plan	662364
	extra sheet users instruction	662410

PALUX Aktiengesellschaft, Wilhelm-Frank-Straße 36, 97980 Bad Mergentheim
Telefon (0 79 31) 55-0, Telefax (0 79 31) 55 88 600

Artikel-Nr. für Ersatzteilkatalog in Papierversion: 607029