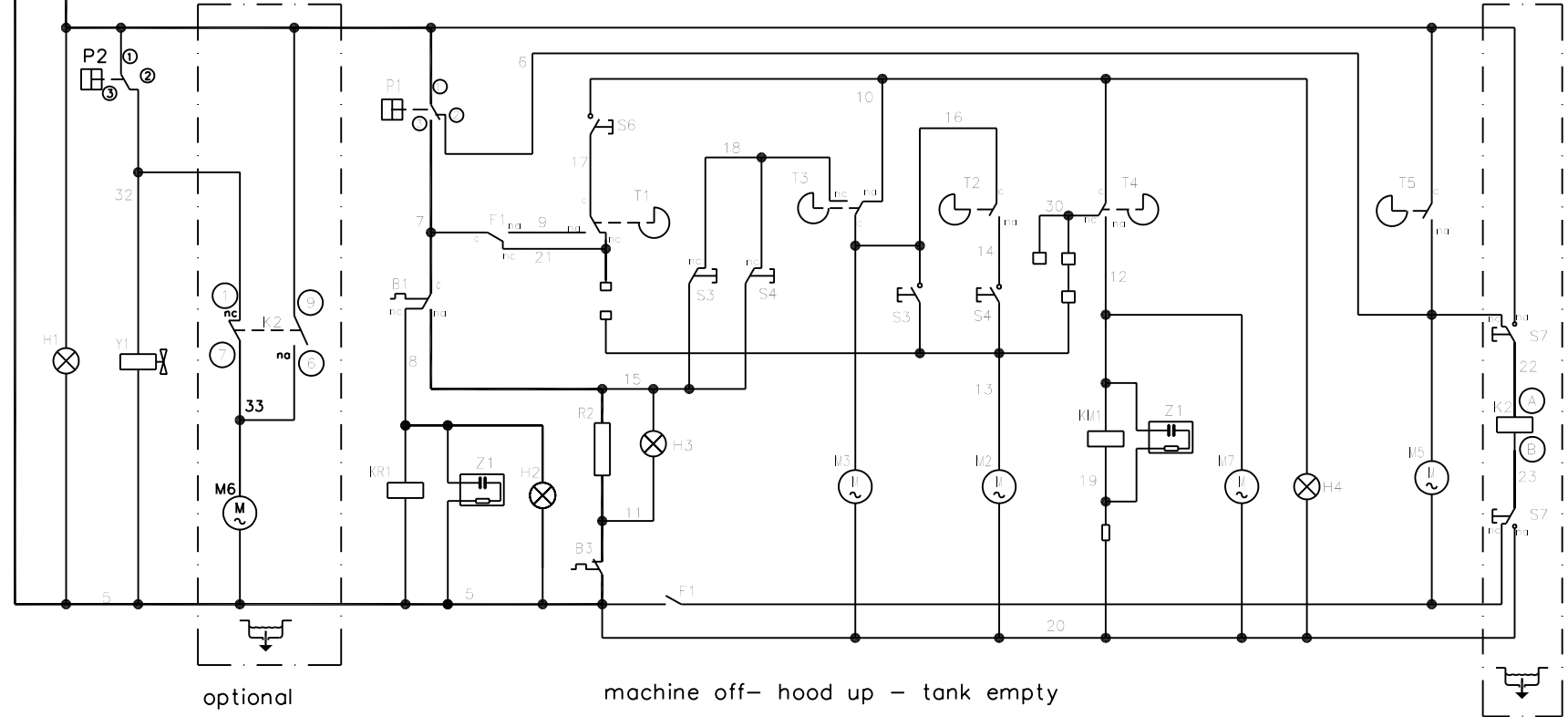


- B1 Boiler thermostat
- B2 Boiler safety thermostat
- B3 Tank thermostat
- F1 Door switch
- H1 Power lamp
- H2 Boiler heating lamp
- H3 Tank heating lamp
- H4 Cycle lamp
- K1 Door relay
- K2 Drain pump relay
- KM1 Wash pump contactors
- KR1 Boiler heater contactor

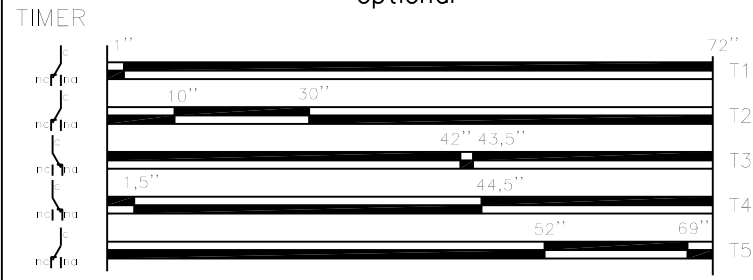
- M1 Wash pump motor
- M2 Quick timer motor
- M3 Slow timer motor
- M5 Rinse booster pump motor
- M6 Drain pump motor
- M7 Rinse agent dispenser
- P1 Tank level control
- P2 Break tank level control
- R1 Boiler heating element
- R2 Tank heating element
- S1 Machine main switch
- S3 Short wash time selector

- S4 Medium wash time selector
- S6 Automatic cycle push button
- S7 Drain push button
- T1 Self-supply microswitch
- T2 Mean washtime microswitch
- T3 Boiler control microswitch
- T4 Wash microswitch
- T5 Rinse microswitch
- Y1 Break tank solenoid valve
- Z1 Interference suppression filter

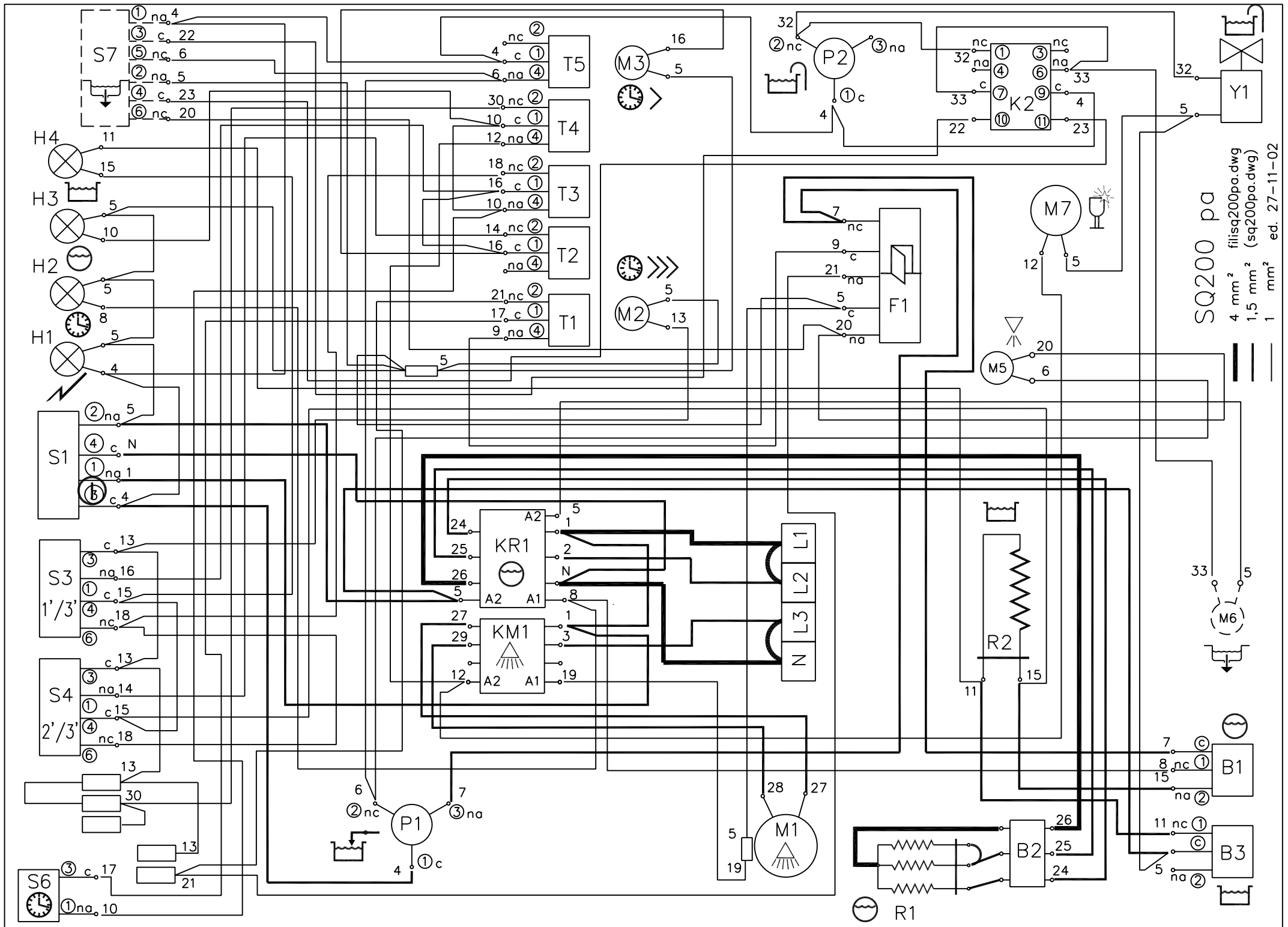


optional

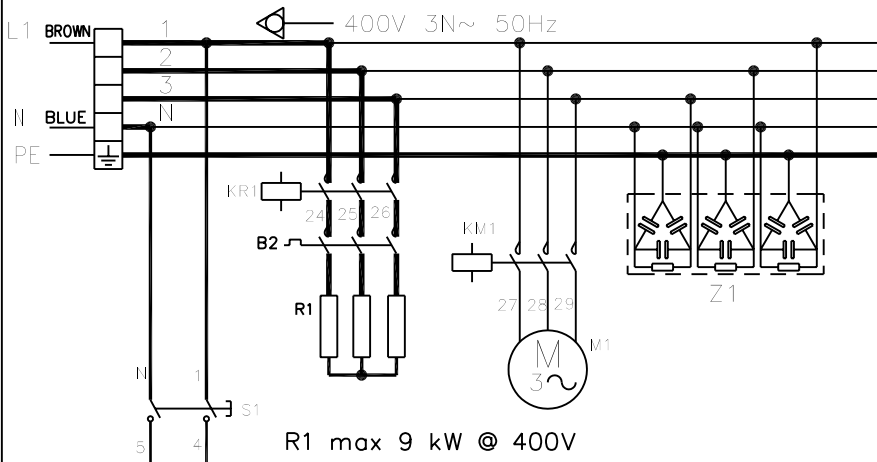
machine off- hood up - tank empty



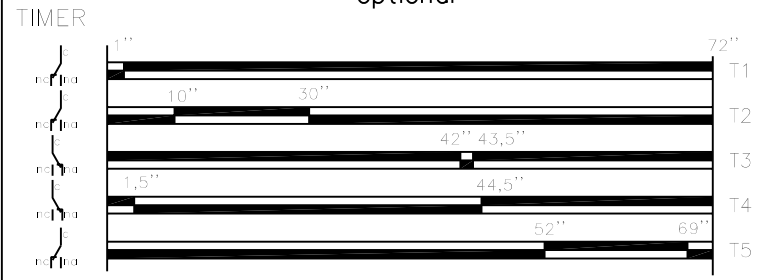
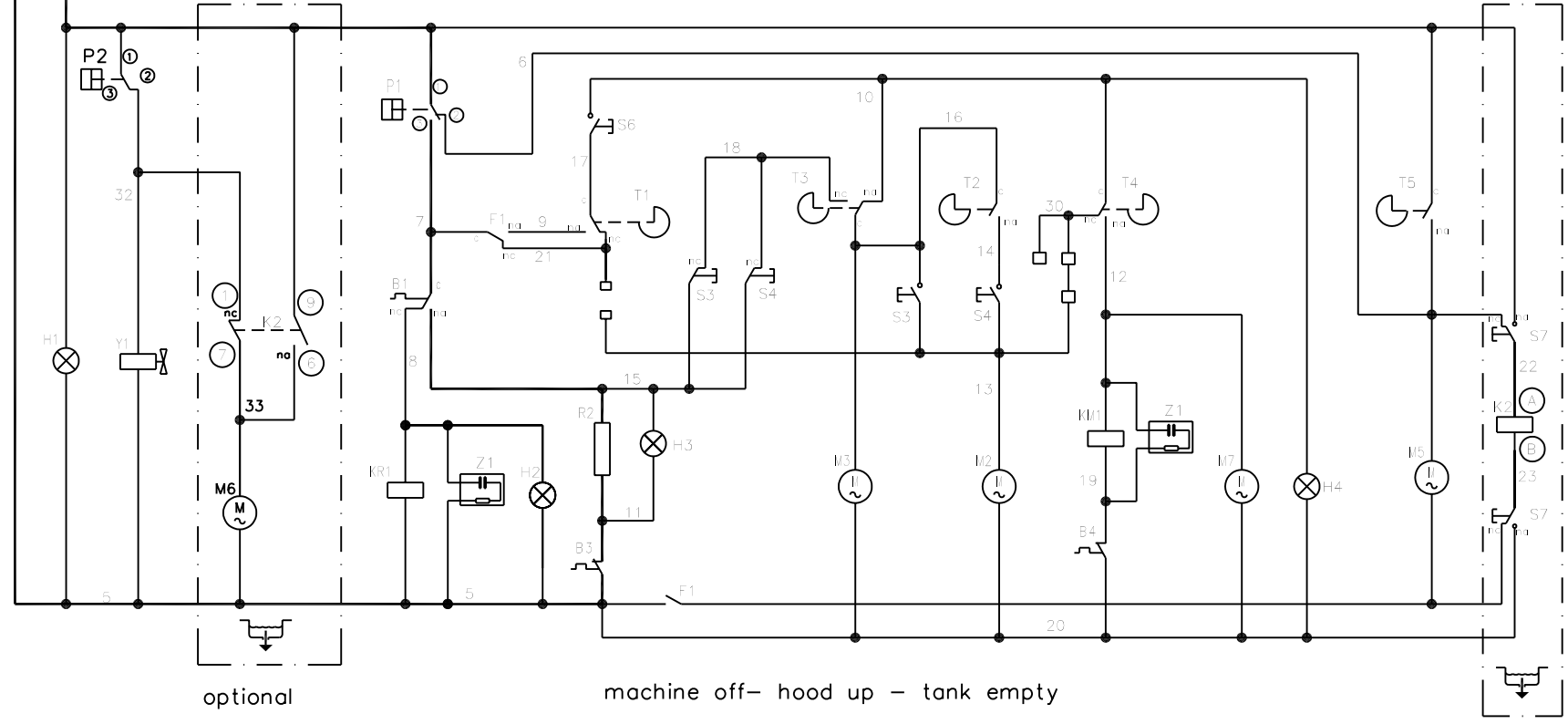
DATA DATUM DATE DATE	27-11-02	DENOMINAZIONE DENOMINATION	DENOMINAZIONE BEZUECHNUNG
<b>CE</b>		SCHEMA ELETTRICO - SCHEMA ELECTRIQUE WIRING DIAGRAMM - SCHALTPLAN	
SOSTIT. DIS. REPLACE SUPDS. DWG ERSETZT		SQ200 new panel	
FILE FILE FILE FILE			
		SQ200as.dwg	



SQ200 pa  
 4 mm<sup>2</sup> filisq200pa.dwg  
 1,5 mm<sup>2</sup> (sq200pa.dwg)  
 1 mm<sup>2</sup> ed. 27-11-02



- B1 Boiler thermostat
- B2 Boiler safety thermostat
- B3 Tank thermostat
- B4 Thermal overload
- F1 Door switch
- H1 Power lamp
- H2 Boiler heating lamp
- H3 Tank heating lamp
- H4 Cycle lamp
- K1 Door relay
- K2 Drain pump relay
- KM1 Wash pump contactors
- KR1 Boiler heater contactor
- M1 Wash pump motor
- M2 Quick timer motor
- M3 Slow timer motor
- M5 Rinse booster pump motor
- M6 Drain pump motor
- M7 Rinse agent dispenser
- P1 Tank level control
- P2 Break tank level control
- R1 Boiler heating element
- R2 Tank heating element
- S1 Machine main switch
- S3 Short wash time selector
- S4 Medium wash time selector
- S6 Automatic cycle push button
- S7 Drain push button
- T1 Self-supply microswitch
- T2 Mean washtime microswitch
- T3 Boiler control microswitch
- T4 Wash microswitch
- T5 Rinse microswitch
- Y1 Break tank solenoid valve
- Z1 Interference suppression filter



DATA DATUM DATE DATE	27-11-02	DENOMINAZIONE DENOMINATION	SCHEMA ELETTRICO - SCHEMA ELECTRIQUE WIRING DIAGRAMM - SCHALTPLAN
		SQ300 new panel	
SOSTIT. DIS. REPLACE SUPDS. DWG. ERSETZT			
FILE FILE FILE FILE		SQ300as.dwg	

