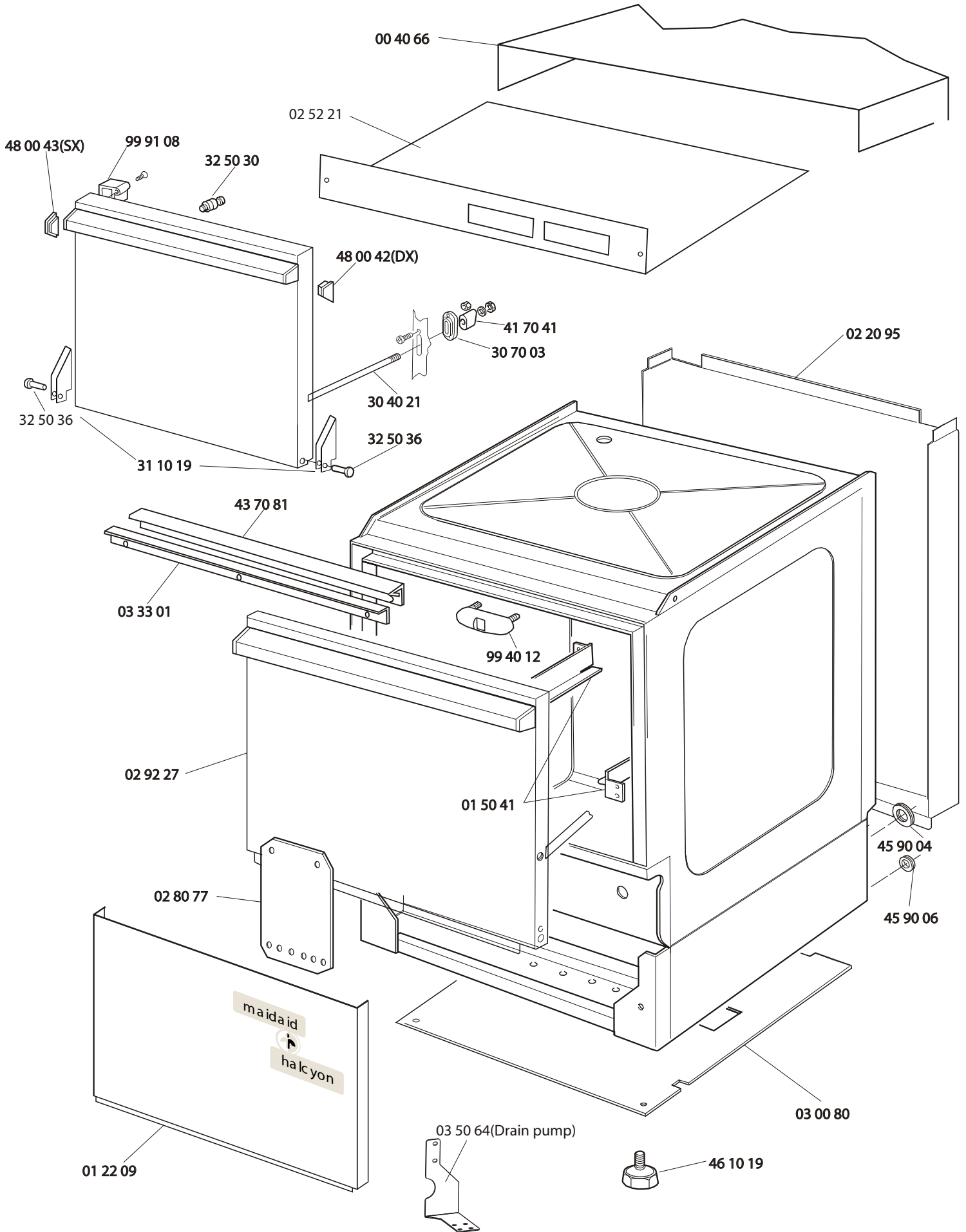
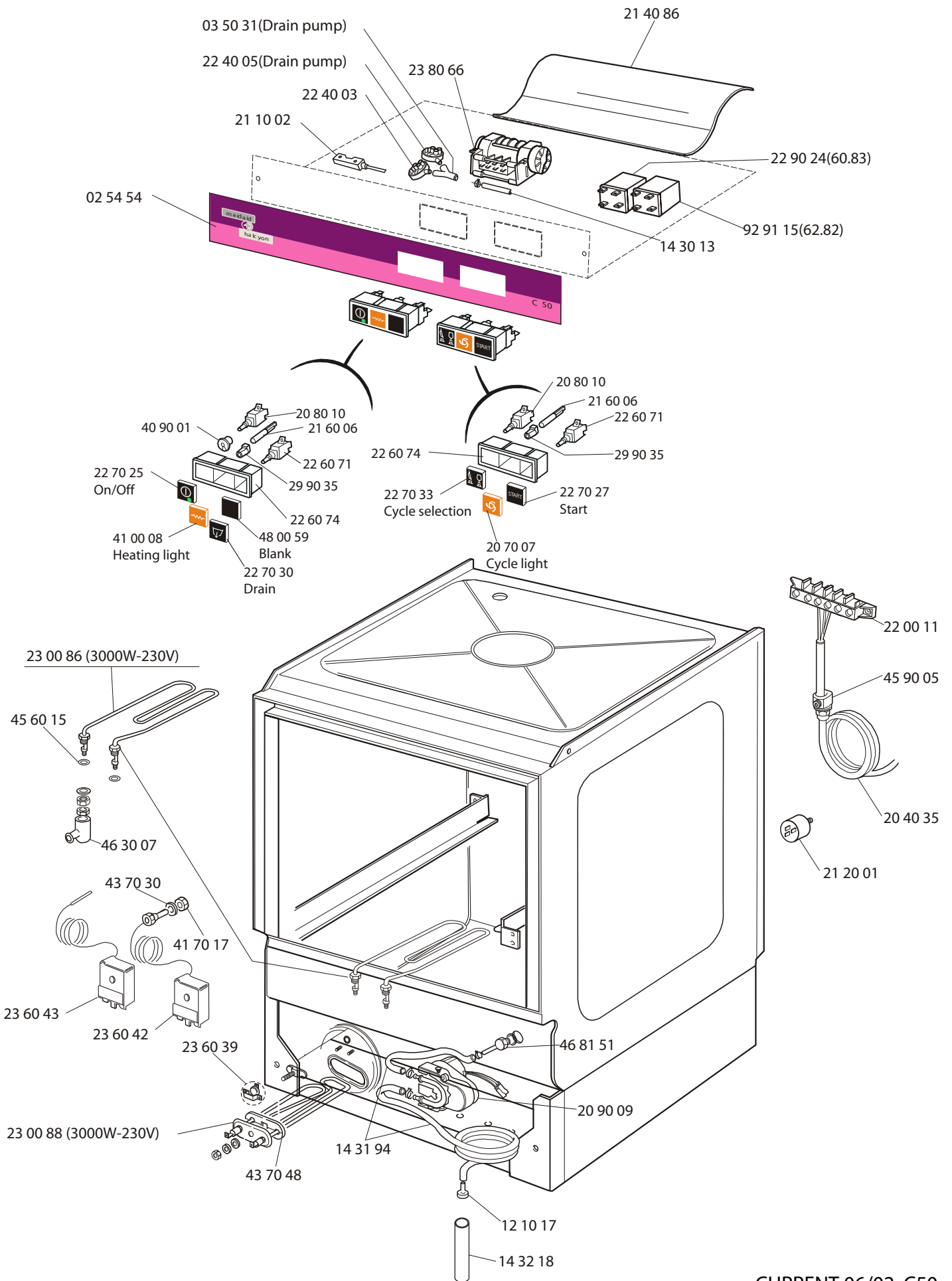


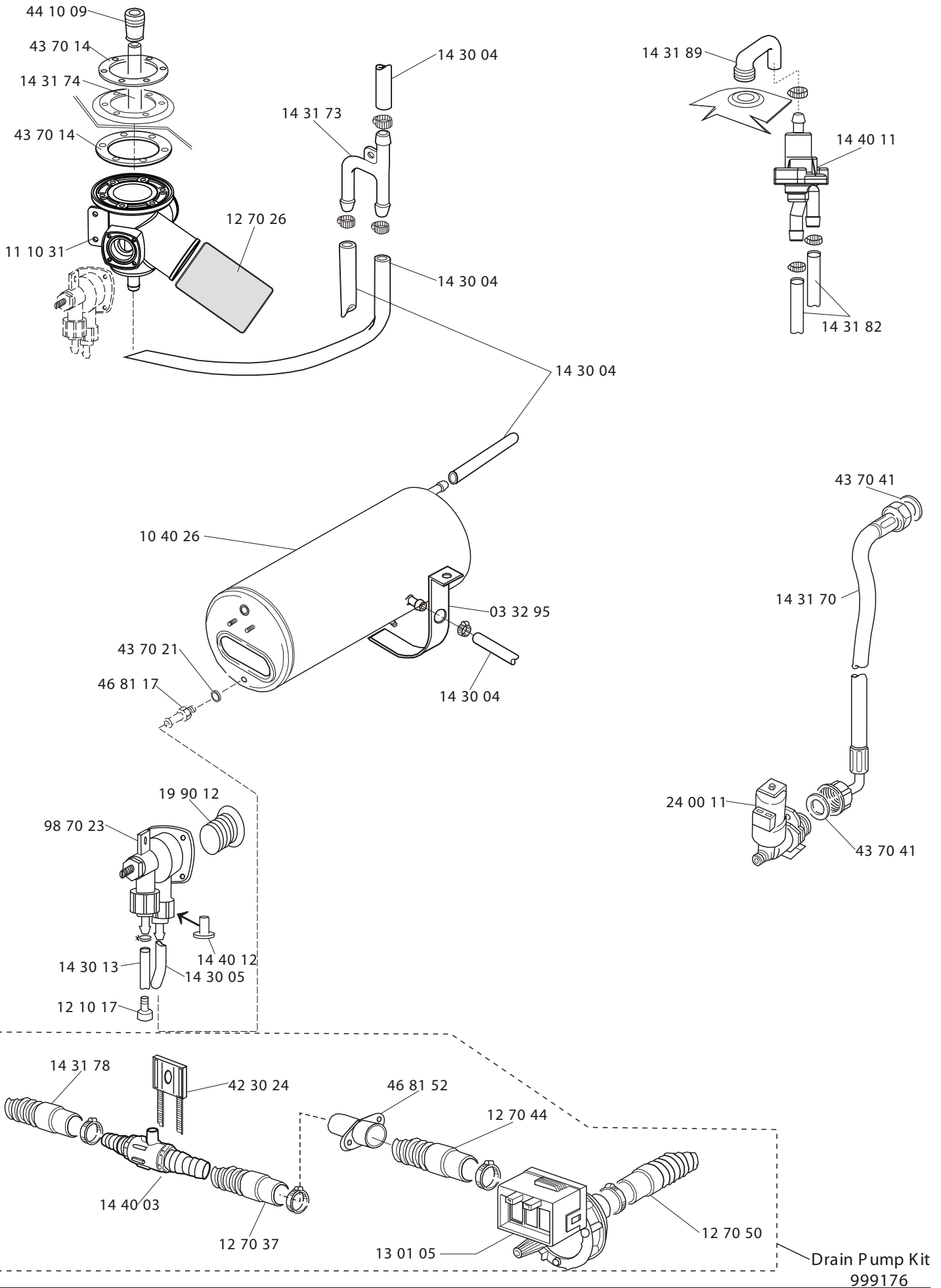


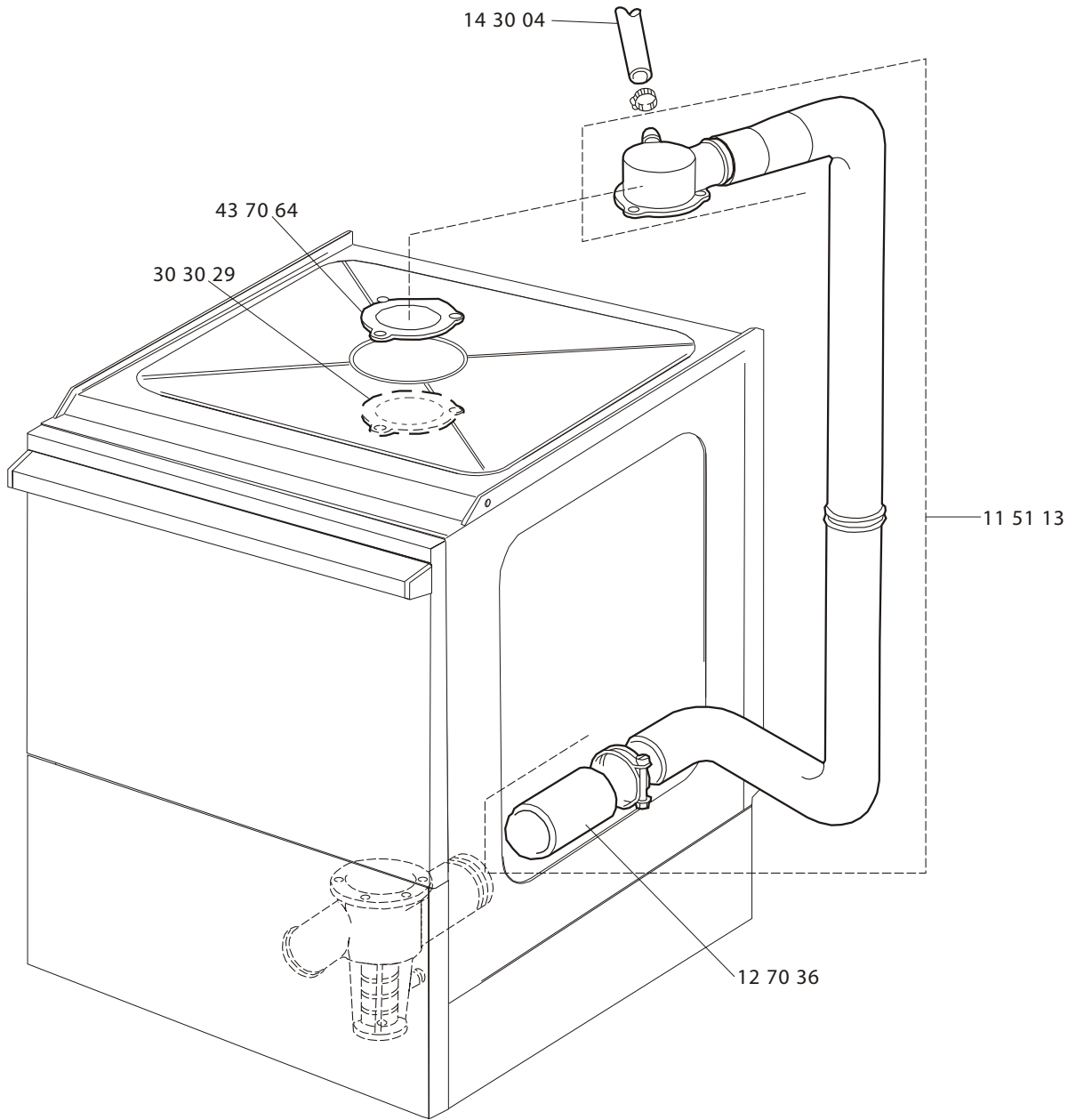
C50/C5

Parts Drawings

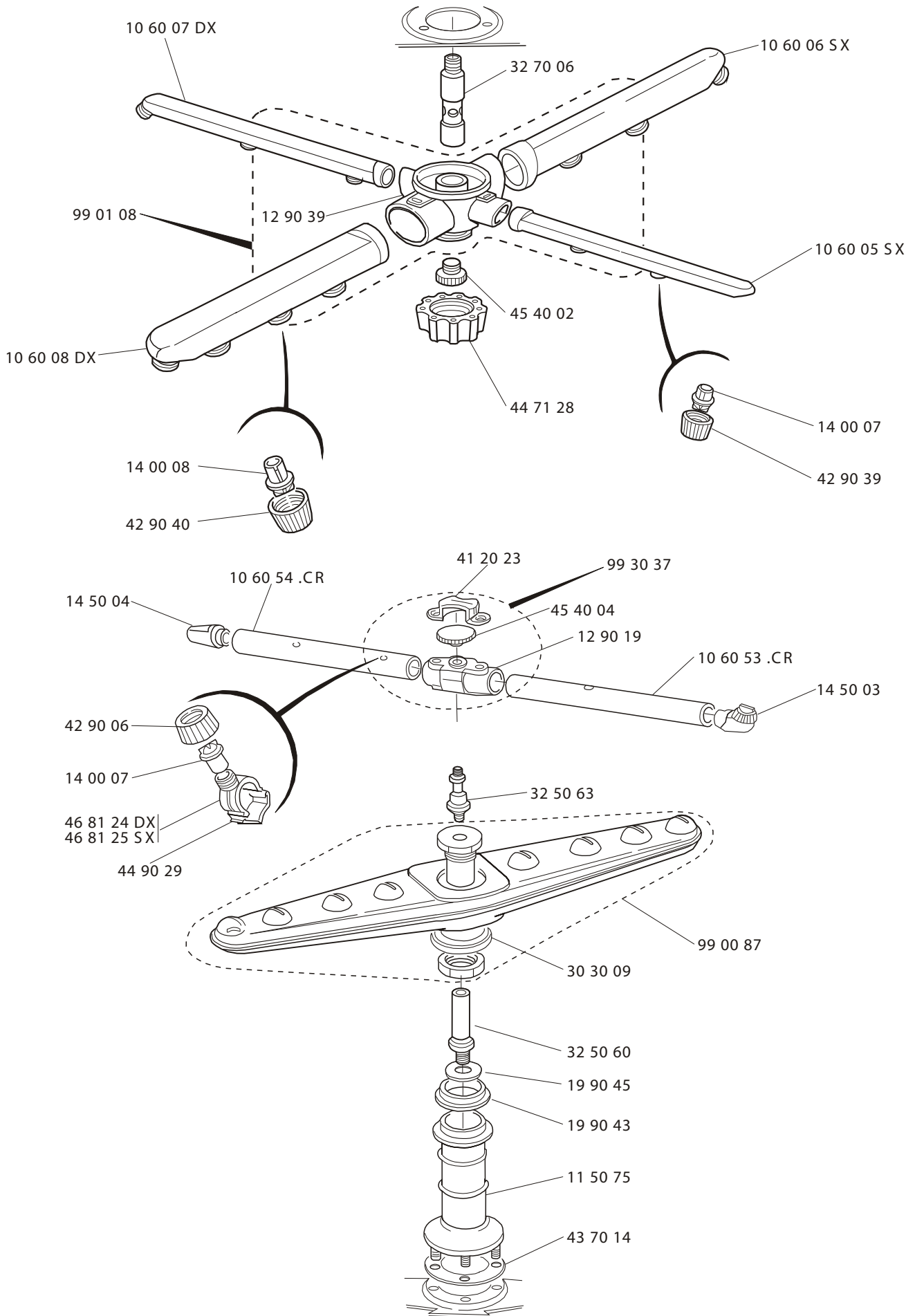






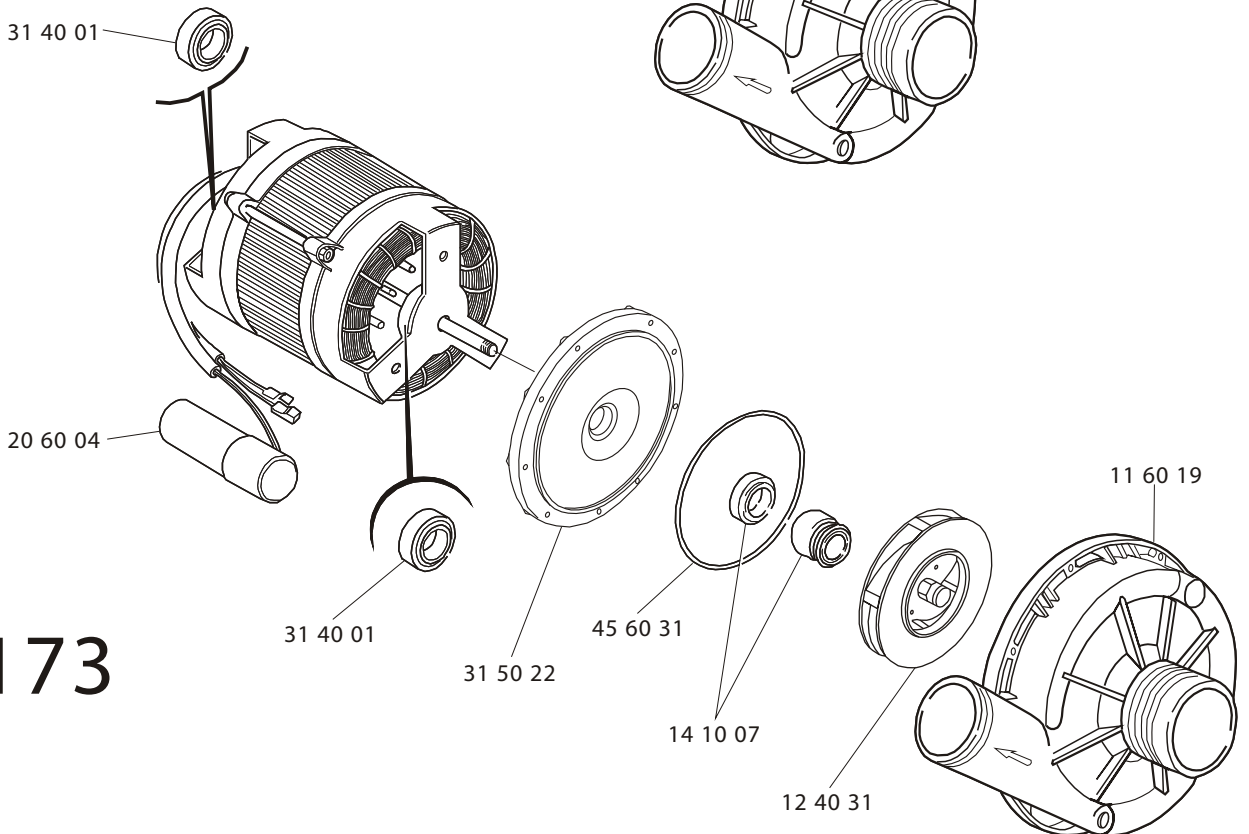
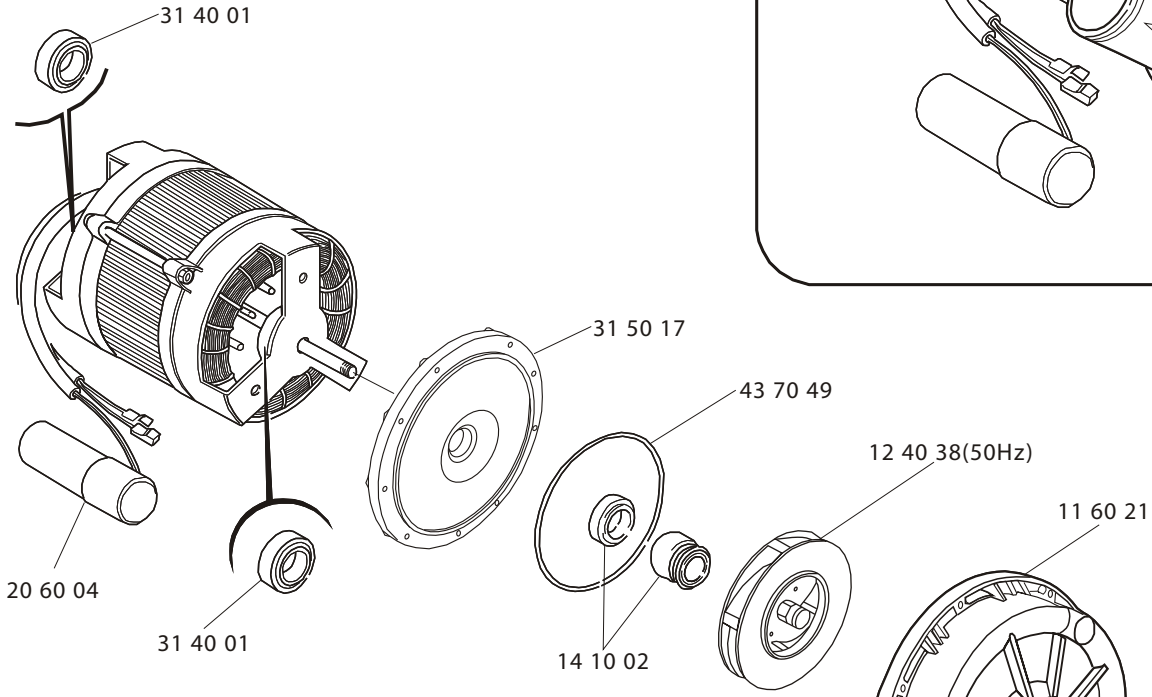
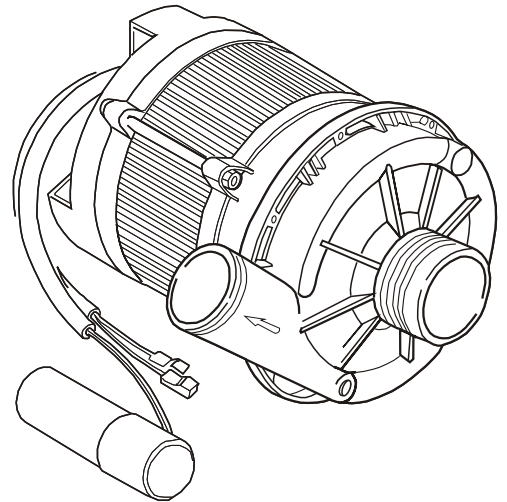


6



B. 237

13 01 09 (230V - 50Hz)



T. 173