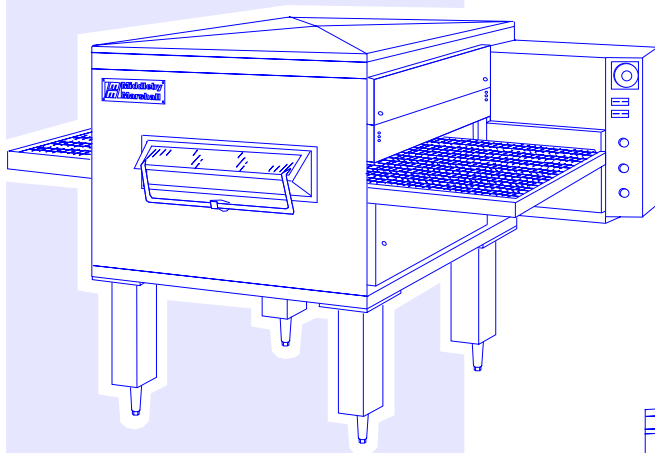
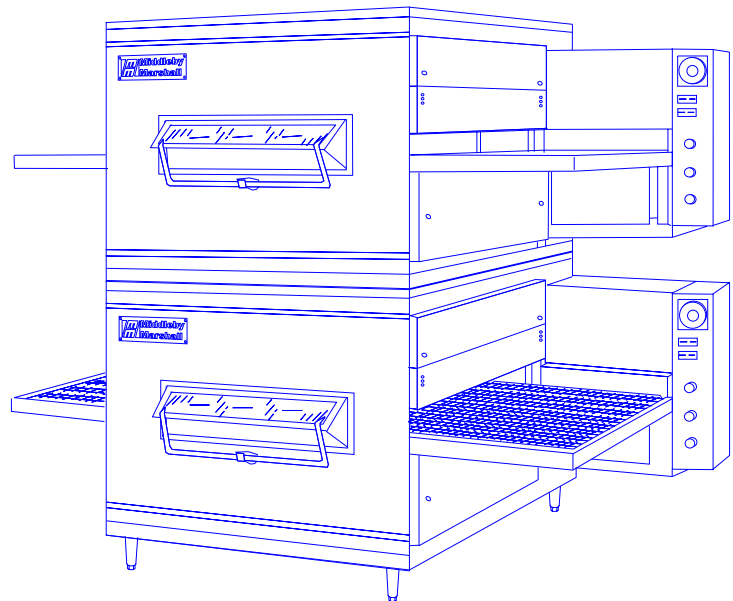


# *parts manual*



**MODEL PS200/220/  
224VL GAS OVEN  
(CE version)**



**FOR YOUR SAFETY  
DO NOT STORE OR USE GASOLINE  
OR OTHER FLAMMABLE VAPORS AND LIQUIDS IN  
THE VICINITY OF THIS OR ANY OTHER APPLIANCE**

## **WARNING**

**Improper installation, adjustment, alteration, service or maintenance can cause property damage, injury or death. Read the installation, operating and maintenance instructions thoroughly before installing or servicing this equipment.**

## **WARNING**

**DISCONNECT THE OVEN FROM ITS ELECTRICAL POWER SUPPLY BEFORE SERVICING.**

## **NOTICE**

Using any parts other than genuine Middleby Marshall factory manufactured parts relieves the manufacturer of all warranty and liability.

## **NOTICE**

Middleby Marshall (Manufacturer) reserves the right to change specifications at any time.

## TABLE OF CONTENTS

| <i>Section</i>                                | <i>Page</i> |
|---|-------------|
| Key Spare Parts Kit .....                     | 4           |
| Installation Kit .....                        | 5           |
| Oven Base/Legs/Casters Kit .....              | 5           |
| Standard Air Fingers .....                    | 6           |
| Oven Panels, Windows, and Legs .....          | 8           |
| Cool Front .....                              | 10          |
| Blower, Shrouds and Vents .....               | 12          |
| Control Panel .....                           | 14          |
| Machinery Compartment .....                   | 16          |
| Gas Burner System .....                       | 18          |
| Conveyor Assembly - Single Conveyor .....     | 20          |
| Conveyor Assembly - Split Belt Conveyor ..... | 22          |

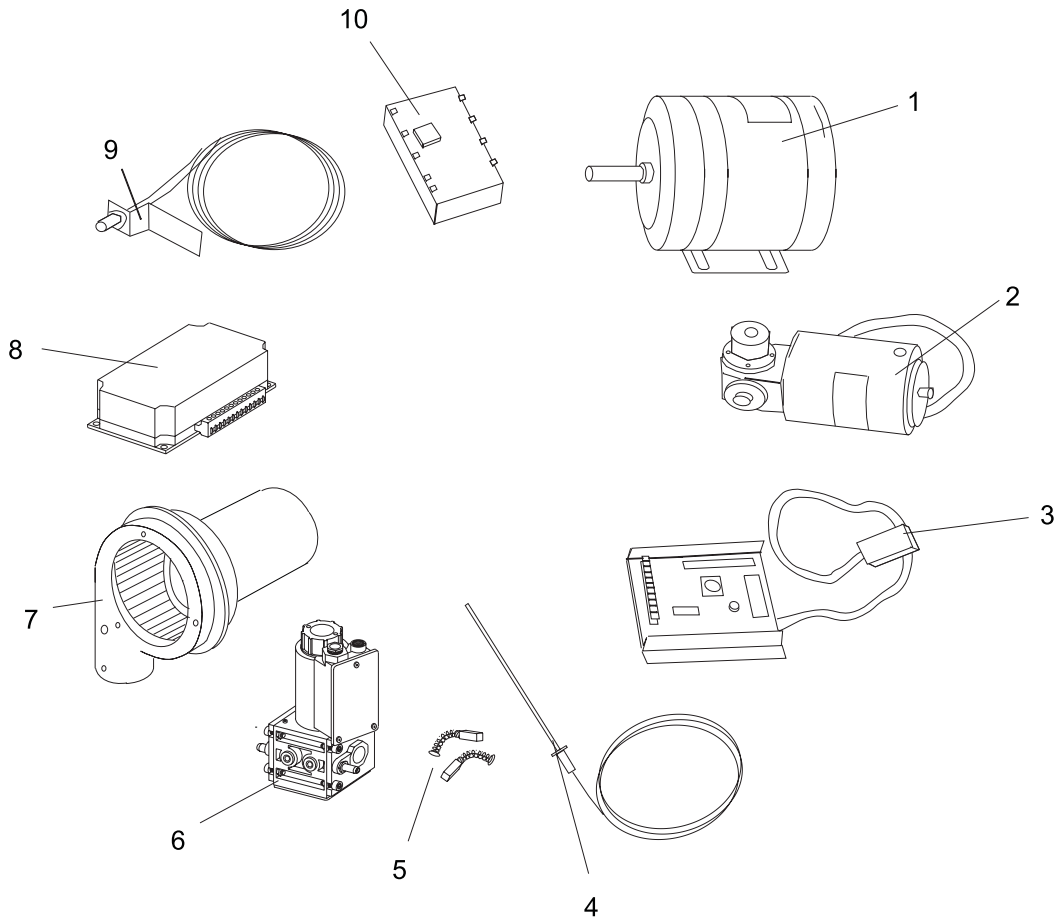
**NOTE:** Throughout this Parts Manual, the following abbreviations are used:

*A/R = Quantity As Required*

*N/A = Does Not Apply*

## PARTS LIST FOR KEY SPARE PARTS KIT

| ITEM | PART NO.   | QTY. | DESCRIPTION                  |
|------|------------|------|------------------------------|
| 1    | 27381-0066 | 1    | BLOWER/FAN MOTOR             |
| 2    | 27384-0011 | 1    | CONVEYOR DRIVE MOTOR         |
| 3    | 42810-0133 | 1    | CONVEYOR SPEED CONTROLLER    |
| 4    | 33985      | 1    | THERMOCOUPLE                 |
| 5    | 22450-0230 | 2    | BRUSH, CONVEYOR DRIVE MOTOR  |
| 6    | 30876      | 1    | SOLENOID VALVE               |
| 7    | 27170-0287 | 1    | BURNER MOTOR/BLOWER ASSEMBLY |
| 8    | 35825      | 1    | KIT, IGNITION MODULE         |
| 9    | 27170-0263 | 1    | CONVEYOR CONTROL PICKUP      |
| 10   | 33983      | 1    | HIGH LIMIT CONTROL           |



**KEY SPARE PARTS KIT  
FIGURE 1**

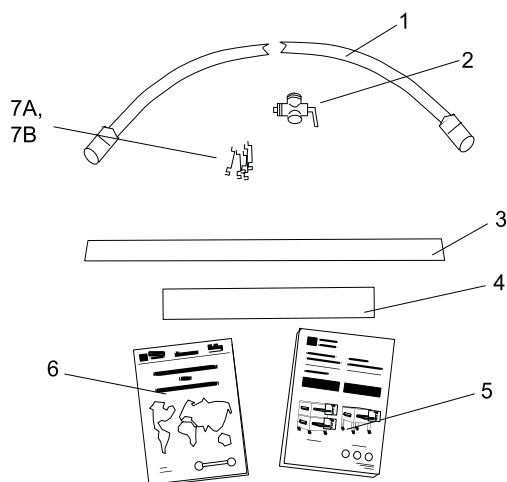
## PARTS LIST FOR INSTALLATION KIT

| ITEM | PART NO.   |            |            | QTY.     |          | DESCRIPTION                             |
|------|------------|------------|------------|----------|----------|---|
|      | PS200VL    | PS220VL    | PS224VL    | Sgl oven | Dbl oven |   |
| 1    | 22361-0001 | 22361-0001 | 22361-0001 | 1        | 2        | GAS HOSE, FLEXIBLE                      |
| 2    | 23115-0010 | 23115-0010 | 23115-0010 | 1        | 2        | GAS SHUTOFF VALVE, 3/4"                 |
| 3    | 35000-1103 | 35900-0370 | 35900-0442 | 1        | 2        | CONVEYOR END STOP                       |
| 4    | 35900-0148 | 35900-0376 | 35900-0148 | 1        | 2        | CONVEYOR REAR STOP                      |
| 5    | 30711      | 30711      | 30711      | 1        | 2        | O-OI MANUAL, PS200 SERIES, ENG/GER (CE) |
| 5    | 30712      | 30712      | 30712      | 1        | 2        | O-OI MANUAL, PS200 SERIES, SPN/ITL (CE) |
| 5    | 30713      | 30713      | 30713      | 1        | 2        | O-OI MANUAL, PS200 SERIES, FRN/FLM (CE) |
| --   | 37318      | 37318      | 37318      | A/R      | A/R      | O-OI SUPPLEMENT (ANALOG), ENG/GER (CE)  |
| --   | 38333      | 38333      | 38333      | A/R      | A/R      | O-OI SUPPLEMENT (DIGITAL), ENG/GER (CE) |
| 6    | 1002040    | 1002040    | 1002040    | 1        | 2        | SERVICE AGENCY DIRECTORY                |
| 7A   | 42400-0089 | 49400-0197 | 42400-0090 | 1        | 2        | MASTER LINKS KIT - SINGLE BELT OVENS    |
| 7B   | 42400-0089 | 36596      | 42400-0589 | 2        | 4        | MASTER LINKS KIT - SPLIT BELT OVENS     |

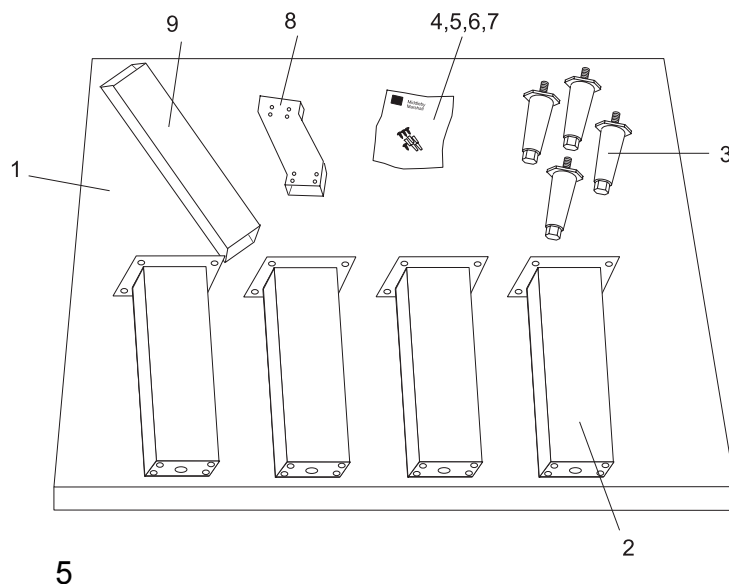
## PARTS LIST FOR OVEN BASE/LEGS/CASTERS KIT

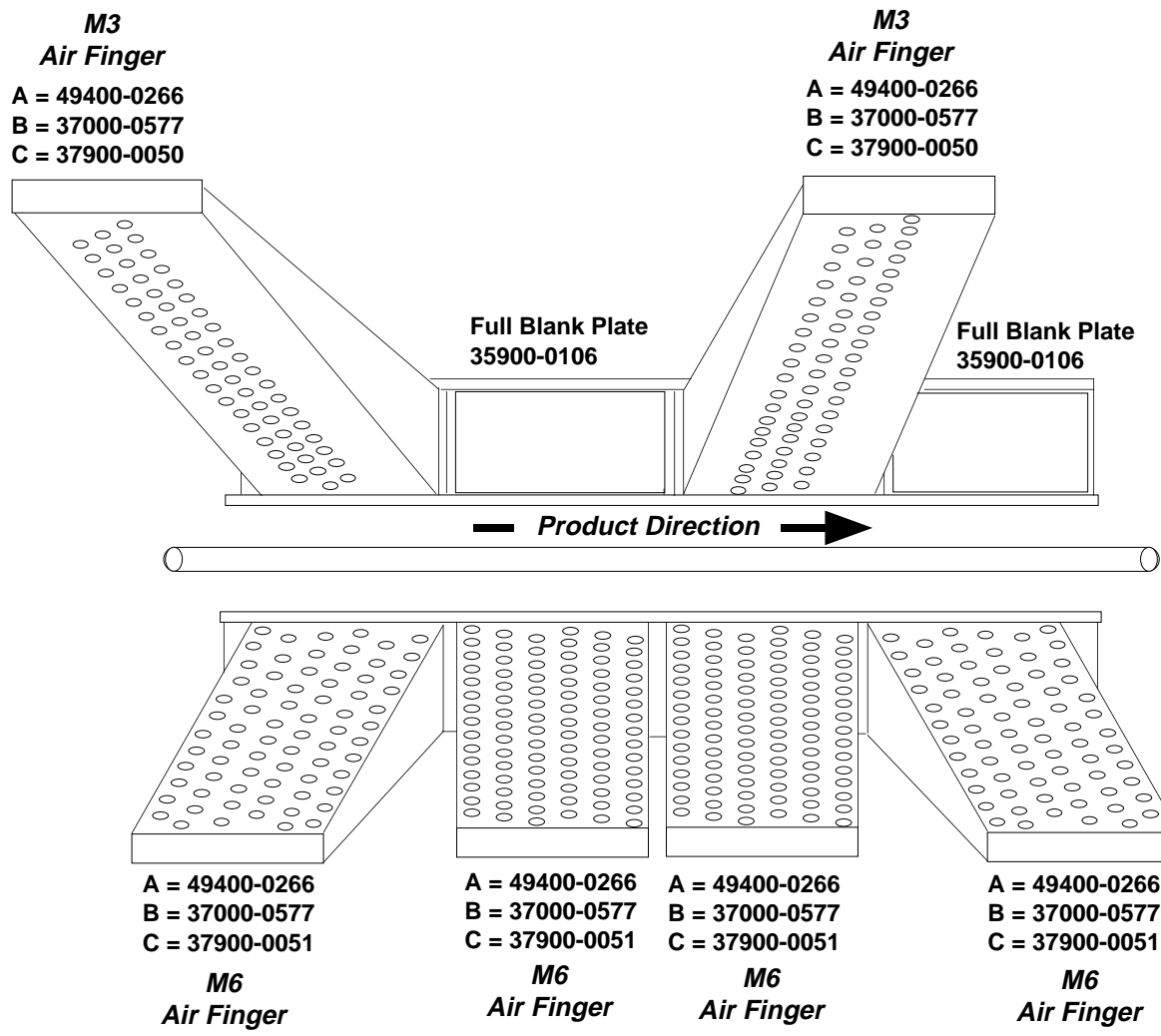
| ITEM | PART NO.   |            |            | QTY.     |          | DESCRIPTION  |
|------|------------|------------|------------|----------|----------|--|
|      | PS200VL    | PS220VL    | PS224VL    | Sgl oven | Dbl oven |  |
| 1    | 30427      | 30806      | 30807      | 1        | 1        | BASE PAD, PAINTED  |
| 2    | 30426      | 30426      | 30426      | 4        | --       | LEG EXTENSION, 15" (381mm), PAINTED -<br>SINGLE OVENS ONLY |
| 3    | 22450-0028 | 22450-0028 | 22450-0028 | 4        | 4        | LEG, 6" (152mm), ADJUSTABLE                                |
| 4    | 220373     | 220373     | 220373     | 16       | --       | 3/8-16 x 1" HEX BOLT                                       |
| 5    | 21416-0001 | 21416-0001 | 21416-0001 | 16       | --       | 3/8" FLAT WASHER   |
| 6    | 21422-0001 | 21422-0001 | 21422-0001 | 16       | --       | 3/8" SPLIT WASHER  |
| 7    | 21256-0008 | 21256-0008 | 21256-0008 | 4        | 4        | 10-32 x 3/8" RH SCREWS FOR TOP                             |
| 8    | 37900-0041 | 37900-0041 | 37900-0041 | --       | 1        | FLUE OFFSET - DOUBLE OVENS ONLY                            |
| 9    | 37900-0042 | 37900-0042 | 37900-0042 | --       | 1        | FLUE EXTENSION - DOUBLE OVENS ONLY                         |
| --   | 35900-0011 | 35900-0347 | 35900-0413 | 1        | 1        | OVEN TOP   |

**INSTALLATION KIT  
FIGURE 2**



**OVEN BASE/LEGS/CASTERS KIT  
FIGURE 3**





9

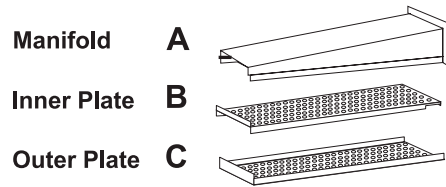
NOTE: RIGHT-TO-LEFT product direction is a "mirror image."

NOTE: The standard finger arrangement is shown. Some ovens are equipped with custom arrangements. Consult the label inside the machinery compartment.

**FIGURE 4  
STANDARD AIR FINGERS**

# PARTS LIST FOR AIR FINGERS - STANDARD ARRANGEMENT FOR UPPER AND LOWER OVENS

## Upper Air Fingers

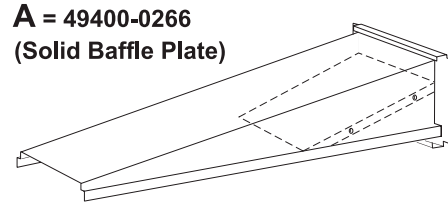


Full Blank Plate  
35900-0106

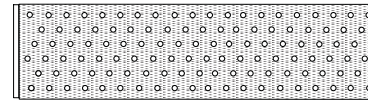


**M3**  
*Air Finger*

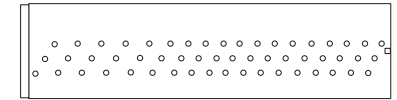
**A = 49400-0266**  
**B = 37000-0577**  
**C = 37900-0050**



**B = 37000-0577**

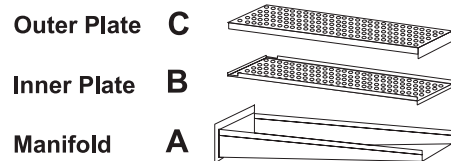


**C = 37900-0050**



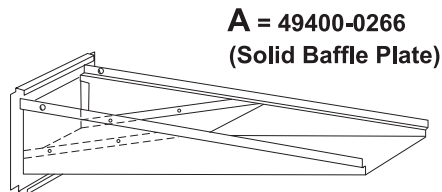
7

## Lower Air Fingers

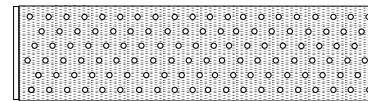


**M6**  
*Air Finger*

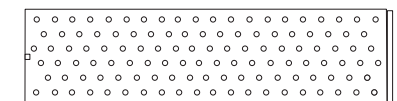
**A = 49400-0266**  
**B = 37000-0577**  
**C = 37900-0051**

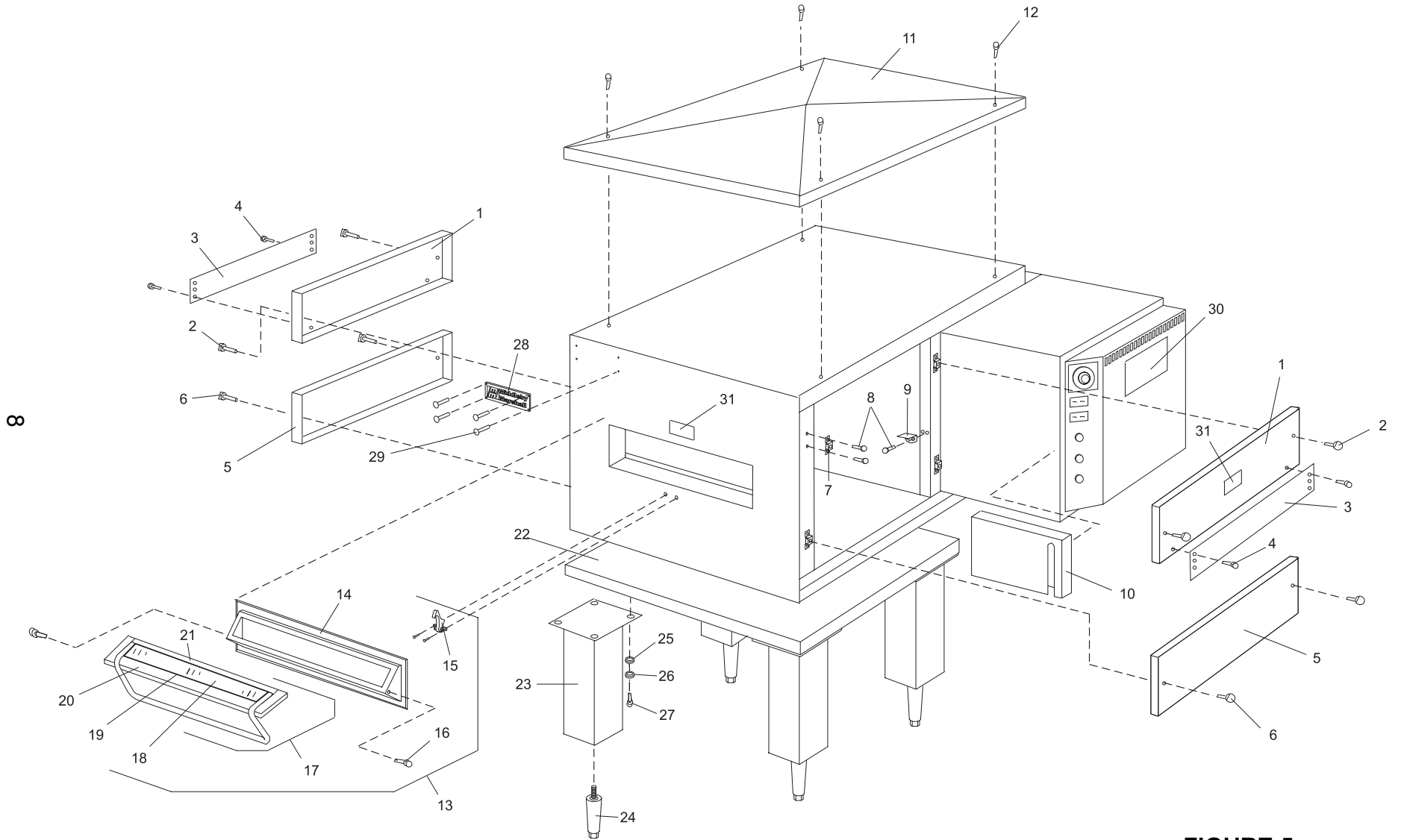


**B = 37000-0577**



**C = 37900-0050**





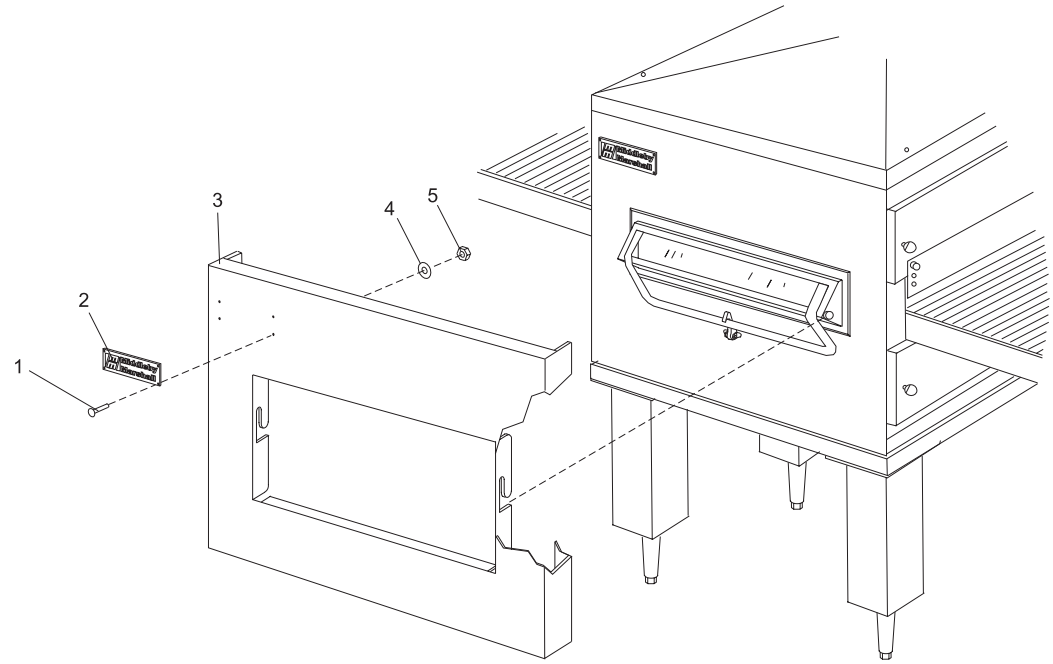
**FIGURE 5  
OVEN PANELS, WINDOW,  
AND LEGS**



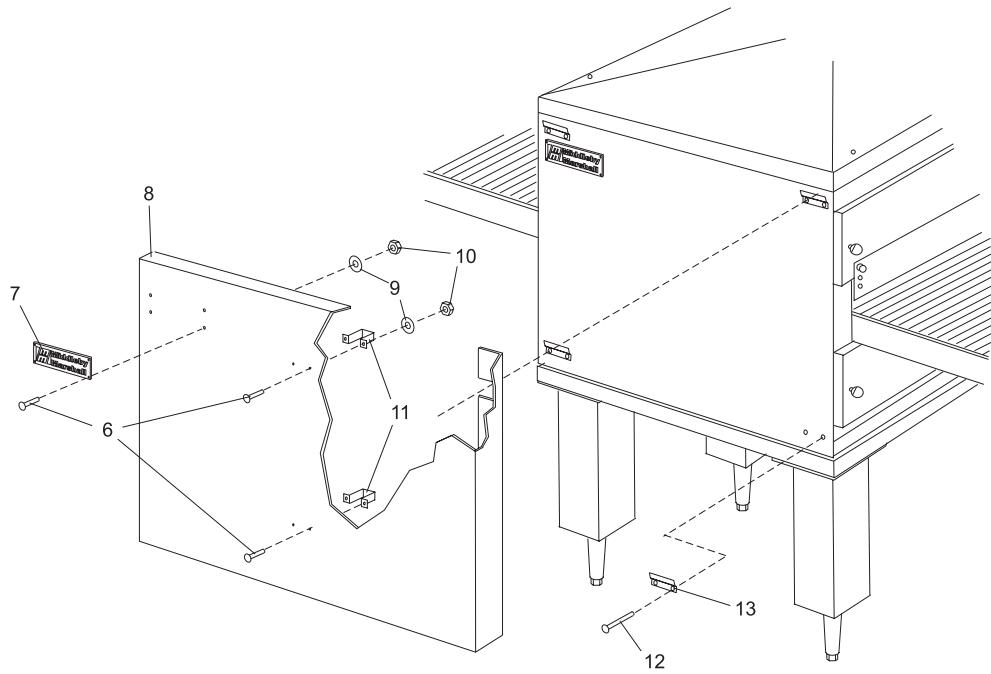
## PARTS LIST FOR OVEN PANELS, WINDOW AND LEGS

| ITEM | QTY.   | PART NO.   |            |            | DESCRIPTION                                       |
|------|--------|------------|------------|------------|---|
|      |        | PS200VL    | PS220VL    | PS224VL    |   |
| 1    | 2      | 34991      | 38394      | 35377      | UPPER END PLUG                                    |
| 2    | 2      | 21296-0003 | 21296-0003 | 21296-0003 | WING SCREW, 1/4-20 x 1/2" SS                      |
| 3    | 2      | 35900-0052 | 35900-0355 | 35900-0431 | EYEBROW, ADJUSTABLE - <i>OPTIONAL</i>             |
| 4    | 4      | 2000346    | 2000346    | 2000346    | SCREW, SLT 1/4-20 x 1/2"                          |
| 5    | 2      | 35900-0041 | 35900-0323 | 35900-0417 | END PLUG, LOWER                                   |
| 6    | 2      | 21296-0003 | 21296-0003 | 21296-0003 | WING SCREW, 1/4-20 x 1/2" SS                      |
| 7    | 8      | 49400-0056 | 49400-0056 | 49400-0056 | MOUNTING BRACKET - END PLUG                       |
| 8    | A/R    | 21292-0001 | 21292-0001 | 21292-0001 | SCREW, 10-16 x 3/4" HEX HD                        |
| 9    | 4      | 35900-0043 | 35900-0043 | 35900-0043 | SHELF BRACKET - UPPER END PLUG                    |
| 10   | 1      | 30743      | 30743      | 30743      | CHAIN GUARD                                       |
| 11   | 1      | 35900-0011 | 35900-0347 | 35900-0413 | OVENTOP   |
| 12   | 4      | 21256-0025 | 21256-0025 | 21256-0025 | SCREW, 10-32 x 3/8" SS                            |
| 13   | 1      | 49400-0120 | 49400-0120 | 49400-0120 | WINDOWASSEMBLY                                    |
| 14   | 1      | 37900-0103 | 37900-0103 | 37900-0103 | WINDOW MOUNTING FRAME                             |
| 15   | 1      | 42400-0087 | 42400-0087 | 42400-0087 | WINDOW LATCH ASSEMBLY                             |
| 16   | 2      | 34121-0003 | 34121-0003 | 34121-0003 | SCREW, THUMB PIVOT                                |
| 17   | 1      | 30285      | 30285      | 30285      | GLASS DOOR ASSEMBLY                               |
| 18   | 1      | 22140-0017 | 22140-0017 | 22140-0017 | TEMPERED GLASS                                    |
| 19   | 11 oz. | 17130-0006 | 17130-0006 | 17130-0006 | SEALANT, SILICONE RUBBER                          |
| 20   | 1      | 30287      | 30287      | 30287      | GLASS DOOR FRAME WELDMENT                         |
| 21   | 1      | 30286      | 30286      | 30286      | GLASS TOP FRAME                                   |
| 22   | 1      | 30427      | 30806      | 30807      | BASE PAD, PAINTED                                 |
| 23   | 4      | 30426      | 30426      | 30426      | LEG EXTENSION, PAINTED - <i>SINGLE OVENS ONLY</i> |
| 24   | 4      | 22450-0028 | 22450-0028 | 22450-0028 | LEG, 6" (152mm), ADJUSTABLE                       |
| 25   | A/R    | 21416-0001 | 21416-0001 | 21416-0001 | WASHER, 3/8" FLAT                                 |
| 26   | A/R    | 21422-0001 | 21422-0001 | 21422-0001 | WASHER, 3/8" SPLIT                                |
| 27   | A/R    | 220373     | 220373     | 220373     | BOLT, 3/8-16 x 1" HEX HD                          |
| 28   | 1      | 22500-0021 | 22500-0021 | 22500-0021 | PLATE, NAME, "MIDDLEBY MARSHALL"                  |
| 29   | 4      | 220311     | 220311     | 220311     | SCREW, 10-32 x 3/8"                               |
| 30   | 1      | --         | --         | --         | LABEL, OPERATING INSTRUCTIONS, PS200VL GAS        |
| 31   | 3      | 30631      | 30631      | 30631      | LABEL, "CAUTION - HOT SURFACE" (CE)               |

**FIGURE 6A  
COOL FRONT-  
WITH WINDOW OPENING**



**FIGURE 6B  
COOL FRONT-  
WITHOUT WINDOW OPENING**



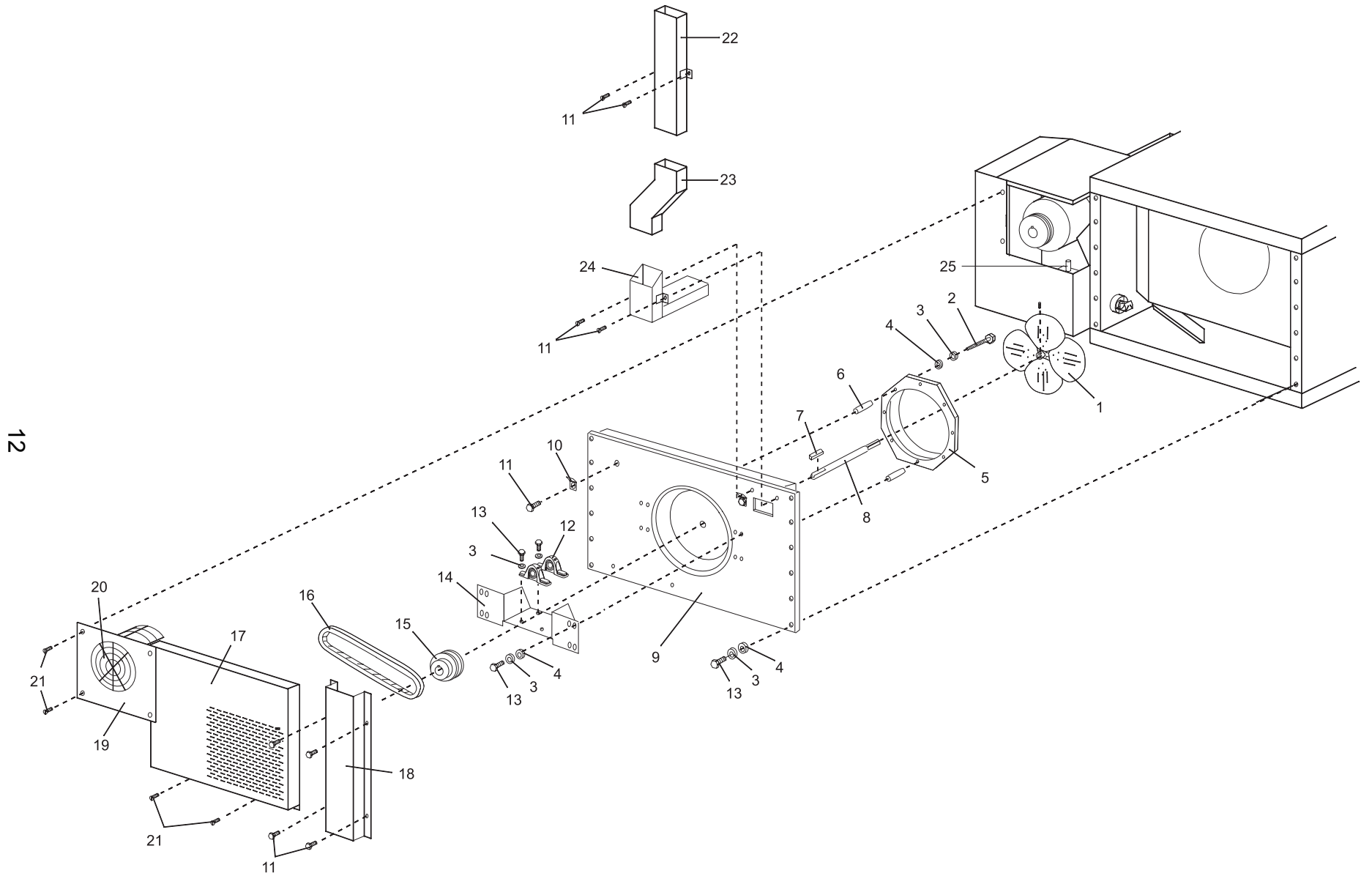
## PARTS LISTS FOR COOL FRONT

### COOL FRONT WITH WINDOW OPENING

| <i>ITEM</i> | <i>QTY.</i> | <i>PART NO.</i> | <i>DESCRIPTION</i>                               |
|-------------|-------------|-----------------|--|
| -           | 1           | 37329           | ASSEMBLY, PS200VL COOL FRONT/WITH WINDOW OPENING |
| 1           | 4           | 220311          | SCREW, 10-32 x 3/8"                              |
| 2           | 1           | 22500-0021      | PLATE, NAME, "MIDDLEBY MARSHALL"                 |
| 3           | 1           | 37336           | PANEL, COOL FRONT/WITH WINDOW OPENING            |
| 4           | 4           | 21442-0005      | LOCK WASHER                                      |
| 5           | 4           | F707A8803       | HEX NUT, 10-32, NP                               |

### COOL FRONT WITHOUT WINDOW OPENING

| <i>ITEM</i> | <i>QTY.</i> | <i>PART NO.</i> | <i>DESCRIPTION</i>                             |
|-------------|-------------|-----------------|--|
| -           | 1           | 35944           | ASSEMBLY, PS200VL COOL FRONT/NO WINDOW OPENING |
| 6           | 8           | 220311          | SCREW, 10-32 x 3/8"                            |
| 7           | 1           | 22500-0021      | PLATE, NAME, "MIDDLEBY MARSHALL"               |
| 8           | 1           | 35926           | PANEL, COOL FRONT/NO WINDOW OPENING            |
| 9           | 8           | 21442-0005      | LOCK WASHER                                    |
| 10          | 8           | F707A8803       | HEX NUT, 10-32, NP                             |
| 11          | 2           | 35470           | BRACKET, CENTER SUPPORT, FOR COOL FRONT PANEL  |
| 12          | 8           | 21292-0001      | SCREW, 10-16 x 3/4"                            |
| 13          | 4           | 35900-0259      | HANGER, COOL FRONT PANEL                       |

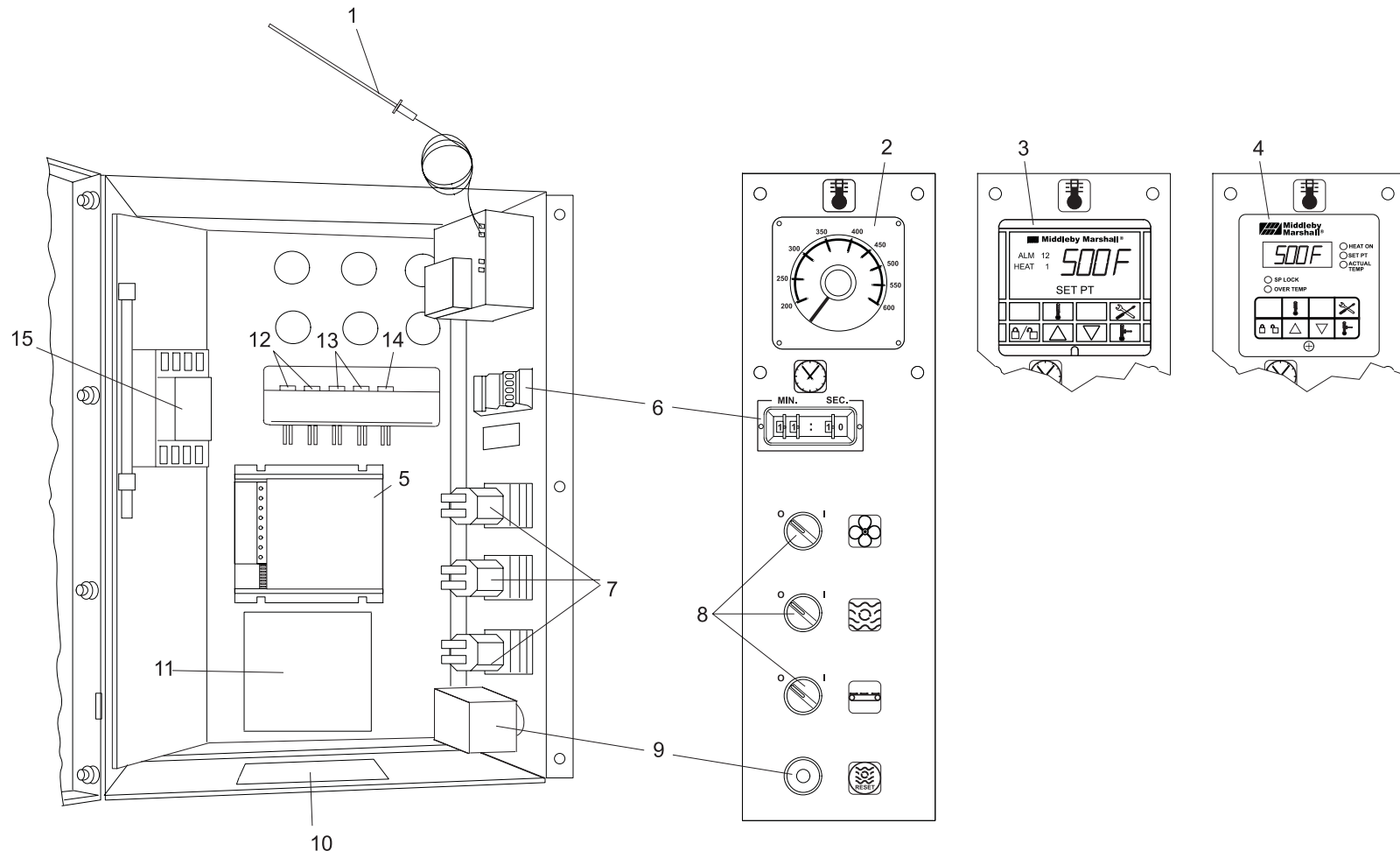


12

**FIGURE 7**  
**BLOWER, SHROUDS, AND VENTS**

## PARTS LIST FOR BLOWER, SHROUDS, AND VENTS

| <i>ITEM</i> | <i>QTY.</i> | <i>PART NO.</i> | <i>DESCRIPTION</i>                                |
|-------------|-------------|-----------------|---|
| 1           | 1           | 27399-0003      | FAN, 16" (406mm) DIA.                             |
| 2           | A/R         | 21326-0002      | BOLT, 3/8"-16 x 5-1/2" HEX HD SS                  |
| 3           | A/R         | 21422-0001      | WASHER, 3/8" SPLIT SS                             |
| 4           | A/R         | 21416-0001      | WASHER, 3/8" FLAT SS                              |
| 5           | 1           | 22450-0217      | RING SHROUD                                       |
| 6           | 8           | 35900-0108      | STAND-OFF TUBE                                    |
| 7           | 1           | 21651-0010      | KEY, PULLEY                                       |
| 8           | 1           | 35900-0232      | SHAFT, FAN DRIVE                                  |
| 9           | 1           | 37900-0088      | BACK WALL   |
| 10          | 2           | 35900-0259      | HANGER BRACKET, REAR SHROUD                       |
| 11          | A/R         | 21292-0001      | SCREW, 10-16 x 3/4" HEX HD                        |
| 12          | 2           | 22072-0025      | BEARING, PILLOW BLOCK, 5/8"                       |
| 13          | 24          | 21216-0001      | BOLT, 3/8"-16 x 1" HEX HD SS                      |
| 14          | 1           | 37900-0101      | BRACKET, FAN DRIVE SUPPORT                        |
| 15          | 1           | 22230-0074      | PULLEY, 5/8" BORE AK41 (50Hz)                     |
| 16          | 1           | 22181-0034      | FAN BELT  |
| 17          | 1           | 37900-0058      | REAR SHROUD                                       |
| 18          | 1           | 35900-0200      | VENT SHROUD - <i>OPTIONAL</i>                     |
| 19          | 1           | 37900-0067      | COVER, REAR CONTROL PANEL                         |
| 20          | 1           | 27470-0035      | GUARD, COOLING FAN                                |
| 21          | 4           | 21256-0009      | SCREW, 10-32 x 5/8" TRUSS CAP                     |
| 22          | 1           | 37900-0042      | FLUE VENT EXTENSION - <i>DOUBLE OVENS ONLY</i>    |
| 23          | 1           | 37900-0041      | FLUE VENT CROSSOVER - <i>DOUBLE OVENS ONLY</i>    |
| 24          | 1           | 49400-0029      | FLUE VENT   |
| 25          | 1           | 28021-0061      | SWITCH, REAR SHROUD SAFETY - <i>SEE PP. 16-17</i> |

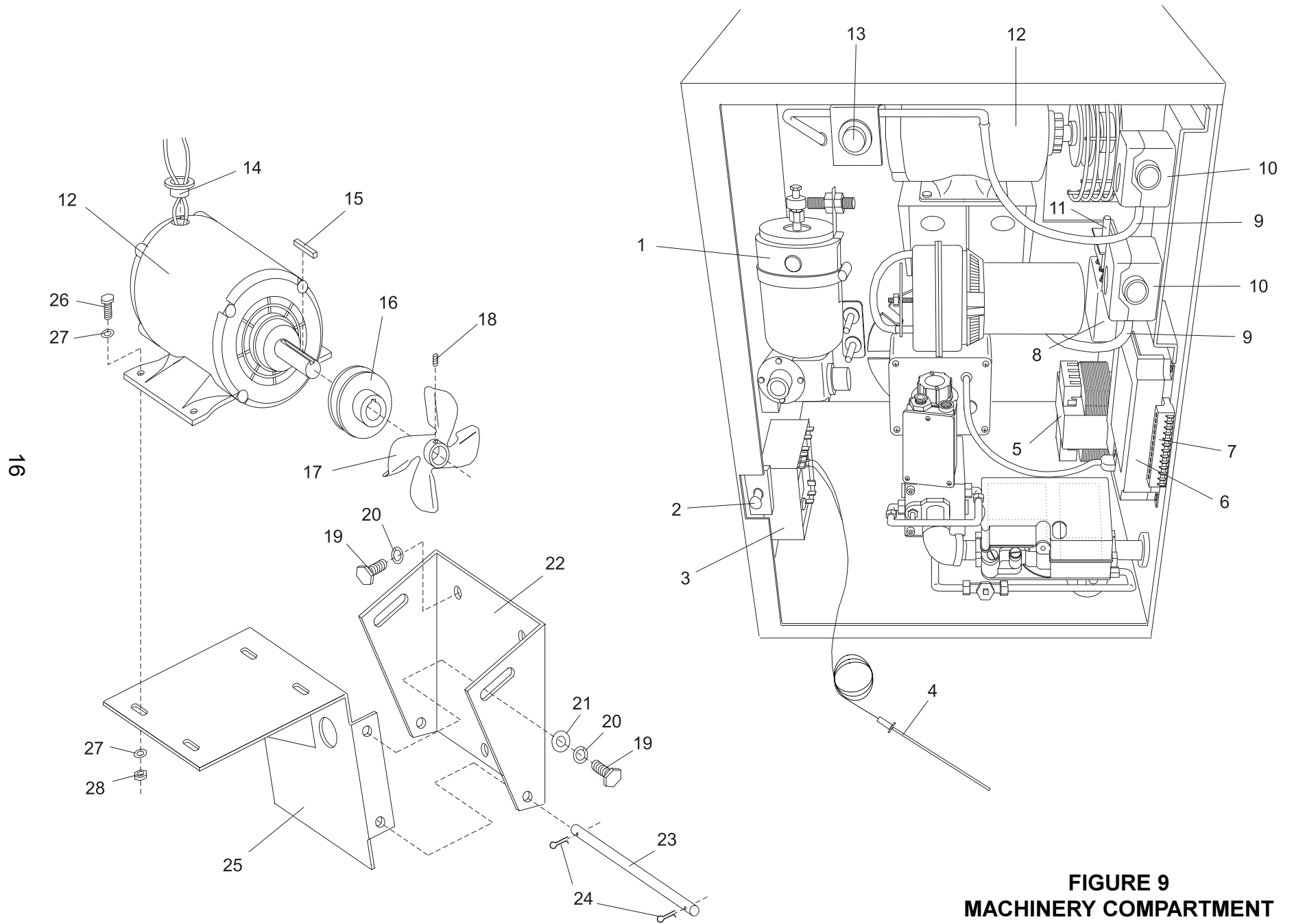


**FIGURE 8  
CONTROL PANEL**

## PARTS LISTS FOR CONTROL PANEL

| <i>ITEM</i> | <i>QTY.</i> | <i>PART NO.</i> | <i>DESCRIPTION</i>                     |
|-------------|-------------|-----------------|--|
| 1           | 1           | 33985           | KIT, THERMOCOUPLE                      |
| 2           | 1           | 38340           | TEMPERATURE CONTROLLER (ANALOG)        |
| 3           | 1           | 30871           | KIT, TEMPERATURE CONTROLLER (DIGITAL)* |
| 4           | 1           | 36939           | KIT, TEMPERATURE CONTROLLER (DIGITAL)* |
| 5           | 1           | 42810-0133      | KIT, CONVEYOR SPEED CONTROLLER         |
| 6           | 1           | 42810-0118      | THUMBWHEEL - <i>INC. W/ITEM 5</i>      |
| 7           | 3           | 27060-0012      | CONTACT BLOCK WITH BASE                |
| 8           | 3           | 28021-0062      | SWITCH KNOB, BLUE                      |
| 9           | 1           | 28201-0016      | PUSHBUTTON SWITCH, LIGHTED, RED        |
| -           | 1           | 27073-0007      | NEON BULB, 220V - <i>INC. W/ITEM 9</i> |
| 10          | 1           | -               | LABEL, AIR FINGER ARRANGEMENT          |
| 11          | 1           | -               | LABEL, PS200VL(CE) WIRING DIAGRAM      |
| 12          | 2           | 32825           | CIRCUIT BREAKER, 8A                    |
| 13          | 2           | 32210           | CIRCUIT BREAKER, 6A                    |
| 14          | 1           | 31503           | CIRCUIT BREAKER, 2A                    |
| 15          | 1           | 28041-0011      | CONTACTOR                              |

\* **REPLACE WITH P/N 30871 OR 36939 AS INSTRUCTED BY MIDDLEBY SERVICE.**

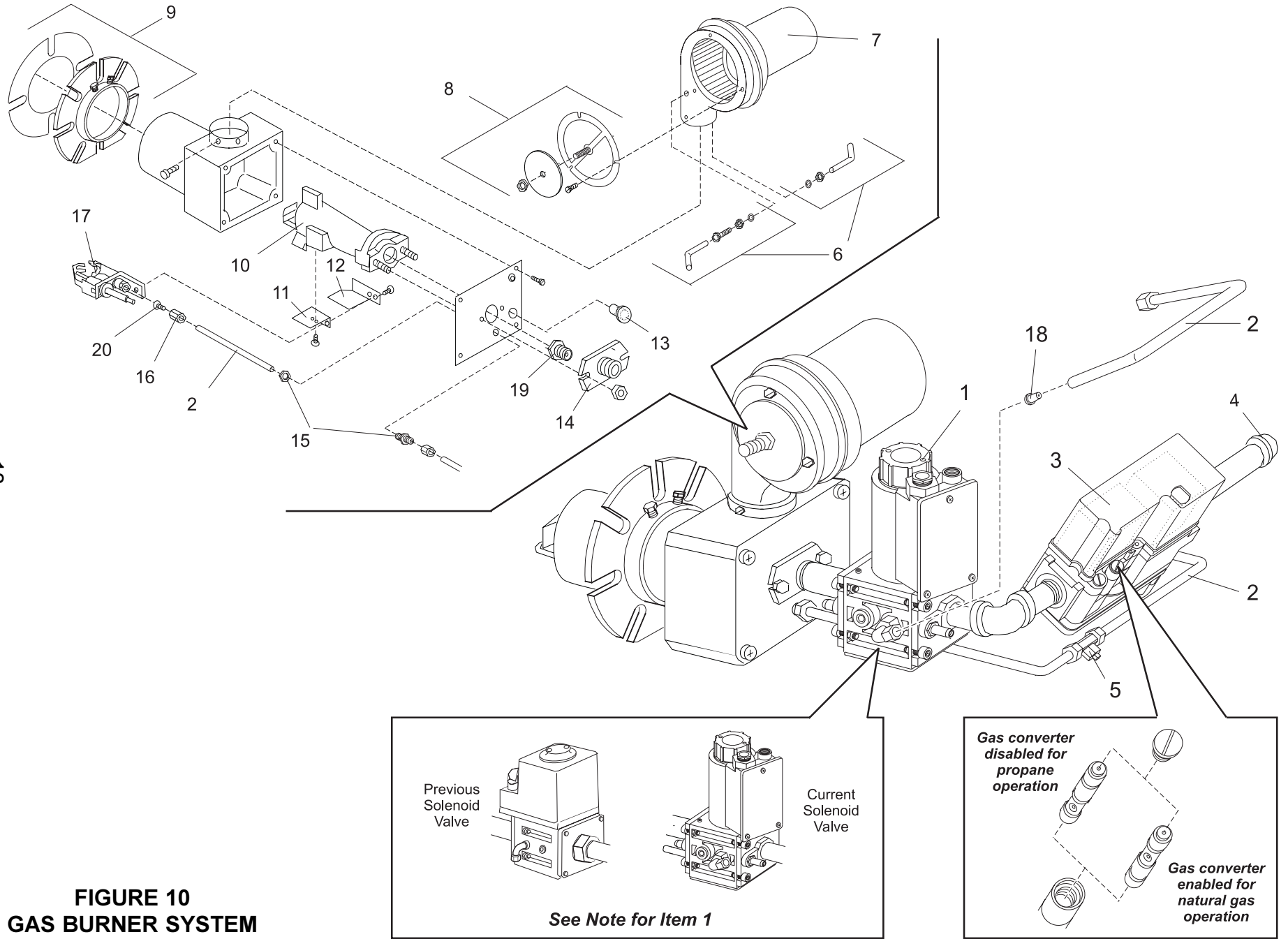


**FIGURE 9**  
**MACHINERY COMPARTMENT**



## PARTS LISTS FOR MACHINERY COMPARTMENT

| <i>ITEM</i> | <i>QTY.</i> | <i>PART NO.</i> | <i>DESCRIPTION</i>                             |
|-------------|-------------|-----------------|--|
| 1           | A/R         | 27384-0011      | MOTOR, CONVEYOR GEAR - <i>SEE PP. 20-23</i>    |
| 2           | 1           | 28021-0047      | SWITCH, DOOR SAFETY                            |
| 3           | 1           | 33983           | CONTROL, HIGH LIMIT                            |
| 4           | 2           | 33985           | KIT, THERMOCOUPLE                              |
| 5           | 1           | 31504           | TRANSFORMER, 230V PRI./120V SEC., 200VA        |
| 6           | 1           | 35825           | KIT, IGNITION MODULE                           |
| 7           | 1           | 32001           | CONNECTOR, 12-PIN - <i>INC. W/ITEM 4</i>       |
| 8           | 1           | 33813           | RFI FILTER                                     |
| 9           | A/R         | 35900-0105      | AIR TUBING, SILICONE, 1/4" (6.4mm) DIA.        |
| 10          | 1           | 35625           | KIT, AIR PRESSURE SWITCH                       |
| 11          | 1           | 28021-0061      | SWITCH, REAR SHROUD SAFETY                     |
| 12          | 1           | 27381-0066      | MOTOR, BLOWER - 1/3 HP, 200-240V, 1 PH         |
| 13          | 1           | 30693           | PUSHBUTTON, HIGH LIMIT RESET                   |
| 14          | 1           | 27221-0015      | BUSHING, WIRING, SNAP-IN                       |
| 15          | 1           | 21651-0010      | KEY, BLOWER PULLEY                             |
| 16          | 1           | 22230-0074      | PULLEY, 5/8" BORE AK41 (50Hz)                  |
| 17          | 1           | 27399-0004      | FAN, COOLING, 5/8" BORE                        |
| 18          | 1           | -               | SET SCREW, COOLING FAN - <i>INC. W/ITEM 14</i> |
| 19          | 5           | 21216-0001      | BOLT, HEX, 3/8"-16 x 1" SS                     |
| 20          | 5           | 21422-0001      | WASHER, SPLIT, 3/8"                            |
| 21          | 2           | 21416-0001      | WASHER, FLAT, 3/8" SS                          |
| 22          | 1           | 35900-0076      | BRACKET, MOTOR SUPPORT, ADJUSTABLE             |
| 23          | 1           | 35900-0075      | ROD, PIVOT, MOTOR BRACKET                      |
| 24          | 2           | 21671-0007      | COTTER PIN                                     |
| 25          | 1           | 37900-0005      | BRACKET, MOTOR MOUNTING                        |
| 26          | 4           | 21416-0013      | BOLT, HEX, 5/16"-18 x 1" SS                    |
| 27          | 8           | 21412-0005      | WASHER, FLAT, 5/16"                            |
| 28          | 4           | 21126-0004      | NUT, HEX, 5/16"-18 SS                          |



**FIGURE 10**  
**GAS BURNER SYSTEM**

## PARTS LISTS FOR GAS BURNER SYSTEM

| ITEM | QTY. | PART NO.   | DESCRIPTION                          | ITEM | QTY. | PART NO.   | DESCRIPTION                             |
|------|------|------------|--------------------------------------|------|------|------------|---|
| 1    | 1    | 37770      | KIT, SOLENOID VALVE REPLACEMENT*     | 9    | 1    | 36562      | KIT, BURNER MOUNTING RING               |
| 1    | 1    | 30876      | SOLENOID VALVE - INC. WITH P/N 37770 | 10   | 1    | 27170-0223 | VENTURI ASSEMBLY                        |
| 2    | A/R  | 15125-0002 | TUBING, ALUMINUM, 1/4" DIA, 1 FT.    | 11   | 1    | 27170-0264 | BRACKET, PILOT IGNITOR                  |
| 3    | 1    | 28092-0020 | GAS CONTROL VALVE, NATURAL/PROPANE   | 12   | 1    | 27170-0204 | SHIELD, PILOT                           |
| 4    | 1    | 22564-0011 | CAP PLUG                             | 13   | 1    | 38280      | WINDOW PLUG                             |
| 5    | 1    | 30185      | KIT, PILOT PRESSURE TAP (PILOT TEE)  | 14   | 1    | 38279      | MAIN ORIFICE HOLDER/GAS INLET CONNECTOR |
| 6    | 1    | 42400-0640 | PITOT TUBE ASSEMBLY                  | 15   | 1    | 23052-0007 | FITTING, PILOT BULKHEAD                 |
| 7    | 1    | 27170-0287 | BURNER BLOWER/MOTOR ASSEMBLY         | 16   | 1    | 38284      | FITTING, PILOT TUBING                   |
| 8    | 1    | 42810-0087 | KIT, EXTERNAL AIR SHUTTER            | 17   | 1    | 42810-0117 | KIT, PILOT IGNITOR ASSEMBLY             |

\* THIS SERVICE KIT INCLUDES ADDITIONAL COMPONENTS AND INSTRUCTIONS TO BE USED IN CONVERTING FROM THE PREVIOUS-STYLE SOLENOID VALVE. IF THE OVEN IS ALREADY EQUIPPED WITH THE CURRENT-STYLE VALVE, ORDER P/N 30876.

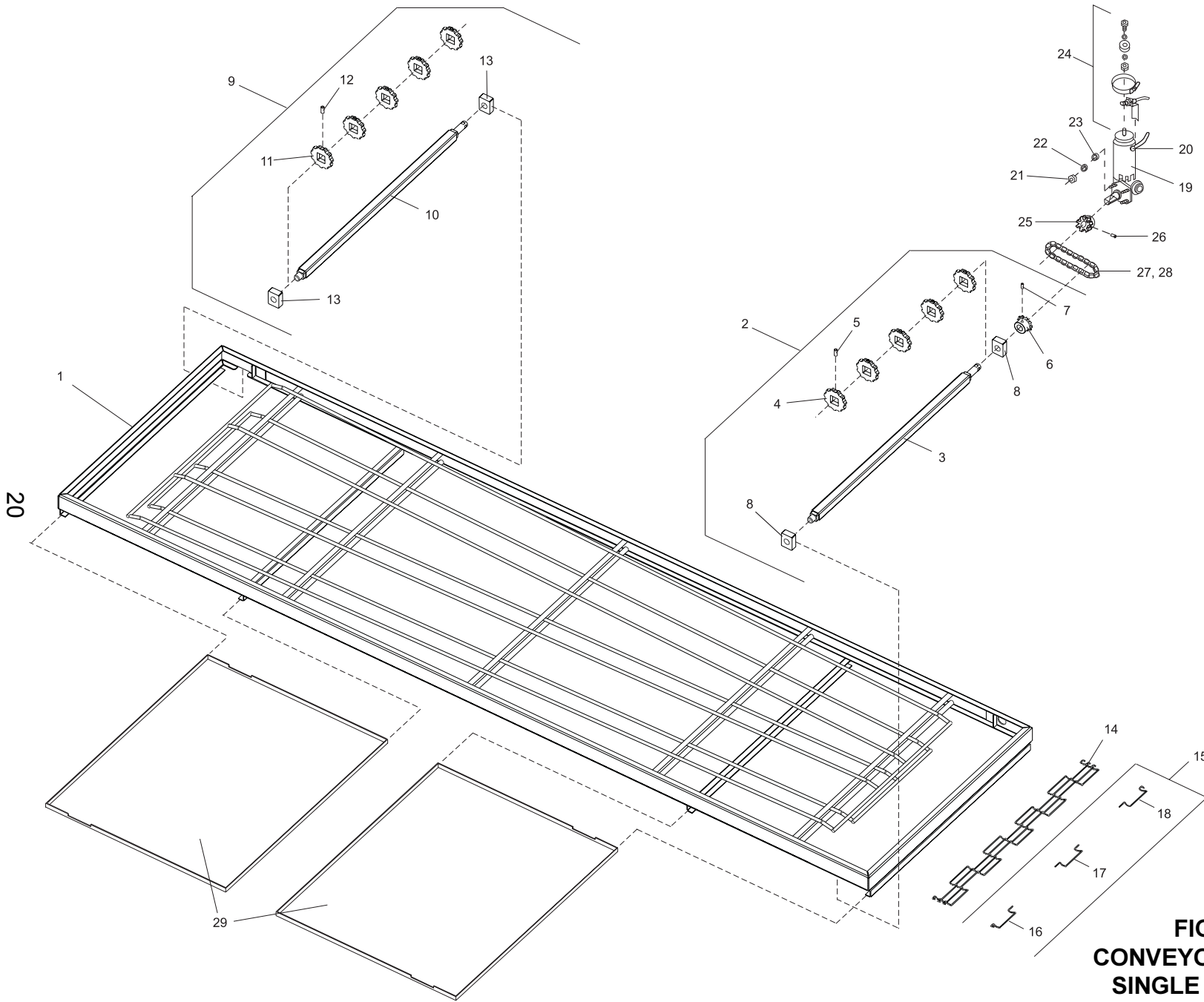
## CHART OF STANDARD ORIFICE SIZES AND PART NUMBERS

### PS200VL

| SUPPLY GAS TYPE | ITEM 19: BYPASS ORIFICE   | ITEM 20: MAIN ORIFICE     | ITEM 21: PILOT ORIFICE    |
|-----------------|---------------------------|---------------------------|---------------------------|
| <b>NATURAL</b>  |                           |                           |                           |
| H (G20)         | 22174-0020 (.065"/1.65mm) | 22176-0006 (.197"/5.00mm) | 22174-0011 (.025"/0.64mm) |
| L (G25)         | 22174-0020 (.065"/1.65mm) | 22176-0006 (.197"/5.00mm) | 22174-0011 (.025"/0.64mm) |
| G20, G25        | 22174-0006 (.059"/1.50mm) | 31980 (.165"/4.20mm)      | 22174-0011 (.025"/0.64mm) |
| <b>PROPANE</b>  |                           |                           |                           |
| G30             | 32599 (.034"/0.85mm)      | 22176-0024 (.099"/2.50mm) | 22174-0010 (.015"/0.38mm) |
| G30, G31        | 22174-0009 (.037"/0.95mm) | 31981 (.114"/2.90mm)      | 22174-0010 (.015"/0.38mm) |

### PS220VL and PS224VL

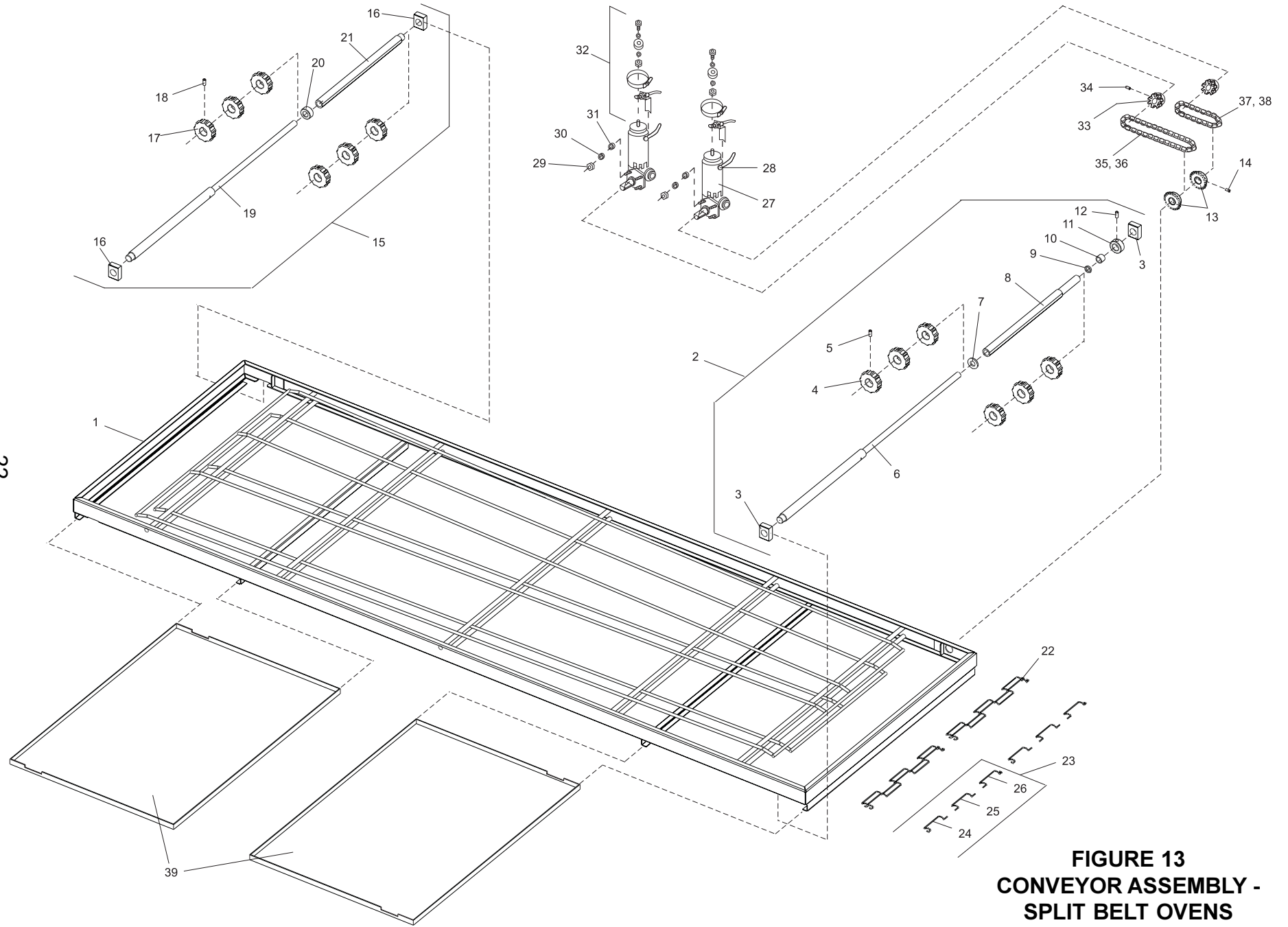
| SUPPLY GAS TYPE | ITEM 19: BYPASS ORIFICE   | ITEM 20: MAIN ORIFICE     | ITEM 21: PILOT ORIFICE    |
|-----------------|---------------------------|---------------------------|---------------------------|
| <b>NATURAL</b>  |                           |                           |                           |
| H (G20)         | 22174-0020 (.065"/1.65mm) | 22176-0016 (.181"/4.60mm) | 22174-0011 (.025"/0.64mm) |
| L (G25)         | 22174-0020 (.065"/1.65mm) | 22176-0016 (.181"/4.60mm) | 22174-0011 (.025"/0.64mm) |
| G20, G25        | 22174-0006 (.059"/1.50mm) | 31982 (.154"/3.90mm)      | 22174-0011 (.025"/0.64mm) |
| <b>PROPANE</b>  |                           |                           |                           |
| G30             | 32599 (.034"/0.85mm)      | 30446 (.091"/2.30mm)      | 22174-0010 (.015"/0.38mm) |
| G30, G31        | 22174-0009 (.037"/0.95mm) | 22176-0023 (.106"/2.70mm) | 22174-0010 (.015"/0.38mm) |



**FIGURE 12**  
**CONVEYOR ASSEMBLY -**  
**SINGLE BELT OVENS**

## PARTS LIST FOR CONVEYOR ASSEMBLY - SINGLE BELT OVENS

|      | PS200VL |             | PS220VL |             | PS224VL |             |  |
|------|---------|-------------|---------|-------------|---------|-------------|--|
| ITEM | QTY.    | P/N         | QTY.    | P/N         | QTY.    | P/N         | DESCRIPTION  |
| --   | 1       | 34996       | 1       | 37668       | 1       | 35266       | ASSEMBLY, CONVEYOR   |
| 1    | 1       | 34881       | 1       | 37648       | 1       | 35272       | ASSEMBLY, CONVEYOR FRAME   |
| 2    | 1       | --          | 1       | 37665       | 1       | --          | ASSEMBLY, DRIVE SHAFT  |
| 3    | 1       | 34890       | 1       | 37651       | 1       | 35270       | DRIVE SHAFT  |
| 4    | 6       | 34886       | 5       | 34886       | 4       | 34886       | SPROCKET, CONVEYOR   |
| 5    | 6       | --          | 5       | --          | 4       | --          | SOCKET SET SCREW, CONVEYOR, #10-32 x 7/16" - INC. W/ITEM 4                 |
| 6    | 1       | 35409       | 1       | 35409       | 1       | 35409       | SPROCKET, DRIVE SHAFT  |
| 7    | 1       | 21265-00017 | 1       | 21265-00017 | 1       | 21265-00017 | SET SCREW, DRIVE SHAFT SPROCKET, 1/4-20 x 1/4" - INC. W/ITEM 6             |
| 8    | 2       | 34871       | 2       | 34871       | 2       | 34871       | BUSHING, CONVEYOR  |
| 9    | 1       | --          | 1       | 37667       | 1       | --          | ASSEMBLY, IDLER SHAFT  |
| 10   | 1       | 34889       | 1       | 37652       | 1       | 35269       | IDLER SHAFT  |
| 11   | 6       | 34886       | 5       | 34886       | 4       | 34886       | SPROCKET, CONVEYOR   |
| 21   | 12      | 6           | --      | 5           | --      | 4           | SET SCREW, CONVEYOR, #10-32 x 7/16" - INC. W/ITEM 11                       |
| 13   | 2       | 34871       | 2       | 34871       | 2       | 34871       | BUSHING, CONVEYOR  |
| 14   | 1       | 22450-0225  | 1       | 22450-0252  | 1       | 22450-0287  | CONVEYOR BELT, 146" (3708mm)   |
| 15   | 1       | 42400-0089  | 1       | 49400-0197  | 1       | 42400-0090  | CONVEYOR MASTER LINKS KIT  |
| 16   | --      | --          | --      | --          | --      | --          | MASTER LINK, LEFT - INC. W/ITEM 15   |
| 17   | --      | --          | --      | --          | --      | --          | MASTER LINKS, CENTER - INC. W/ITEM 15                                      |
| 18   | --      | --          | --      | --          | --      | --          | MASTER LINK, RIGHT - INC. W/ITEM 15  |
| 19   | 1       | 27384-0011  | 1       | 27384-0011  | 1       | 27384-0011  | MOTOR, CONVEYOR GEAR   |
| 20   | 2       | 22450-0230  | 2       | 22450-0230  | 2       | 22450-0230  | BRUSHES, CONVEYOR GEAR MOTOR - INC. W/ITEM 19                              |
| 21   | 4       | 21122-0004  | 4       | 21122-0004  | 4       | 21122-0004  | NUT, 10-32 HEX HD  |
| 22   | 4       | 21421-0003  | 4       | 21421-0003  | 4       | 21421-0003  | WASHER, #10 SPLIT  |
| 23   | 4       | 21421-0011  | 4       | 21421-0011  | 4       | 21421-0011  | WASHER, #10 FLAT   |
| 24   | 1       | 27170-0263  | 1       | 27170-0263  | 1       | 27170-0263  | CONVEYOR CONTROL PICKUP KIT  |
| 25   | 1       | 22151-0003  | 1       | 22151-0003  | 1       | 22151-0003  | SPROCKET, CONVEYOR GEAR MOTOR (15T)  |
| 26   | 1       | --          | 1       | --          | 1       | --          | SET SCREW, CONV DRIVE SPRKT, 1/4-20 UNC-3A KNURLED CUP PT - INC. W/ITEM 25 |
| 27   | 1       | 49400-0050  | 1       | 49400-0050  | 1       | 49400-0050  | ASSEMBLY, DRIVE CHAIN, 12-3/8"   |
| 28   | 1       | 22273-0002  | 1       | 22273-0002  | 1       | 22273-0002  | MASTER LINK, DRIVE CHAIN - INC. W/ITEM 27                                  |
| 29   | 2       | 35363       | 2       | 38551       | 2       | 35322       | CRUMB PAN  |



**FIGURE 13**  
**CONVEYOR ASSEMBLY -**  
**SPLIT BELT OVENS**

## PARTS LIST FOR CONVEYOR ASSEMBLY - SPLIT BELT OVENS

| ITEM | PS200VL |            | PS220VL |            | PS224VL |            | DESCRIPTION  |
|------|---------|------------|---------|------------|---------|------------|--|
|      | QTY.    | P/N        | QTY.    | P/N        | QTY.    | P/N        |  |
| --   | 1       | 37379      | 1       | 37690      | 1       | 37645      | ASSEMBLY, CONVEYOR   |
| 1    | 1       | 34881      | 1       | 37648      | 1       | 35272      | ASSEMBLY, CONVEYOR FRAME   |
| 2    | 1       | 37377      | 1       | 37680      | 1       | 37643      | ASSEMBLY, DRIVE SHAFT  |
| 3    | 2       | 37376      | 2       | 37376      | 2       | 37376      | BUSHING, CONVEYOR  |
| 4    | 8       | 22229-0003 | 6       | 22229-0003 | 6       | 22229-0003 | SPROCKET, CONVEYOR   |
| 5    | 8       | 21276-0039 | 6       | 21276-0039 | 6       | 21276-0039 | SET SCREW, CONV SPRKT, 1/4-28 x 1/2" UNF-3A CONE PT - INC. W/ITEM 4          |
| 6    | 1       | 49400-0018 | 1       | 37681      | 1       | 49400-0261 | DRIVE SHAFT, FRONT   |
| 7    | 1       | 21415-0001 | 1       | 21415-0001 | 1       | 21415-0001 | WASHER, BRONZE   |
| 8    | 1       | 35900-0022 | 1       | 37683      | 1       | 35900-0403 | DRIVE SHAFT, REAR  |
| 9    | 1       | 35000-1531 | 1       | 35000-1531 | 1       | 35000-1531 | NYLON SPACER   |
| 10   | 1       | 35900-0023 | 1       | 35900-0023 | 1       | 35900-0023 | BUSHING, FRONT DRIVE SPROCKET  |
| 11   | 1       | 22011-0013 | 1       | 22011-0013 | 1       | 22011-0013 | COLLAR, DRIVE SHAFT  |
| 12   | 1       | --         | 1       | --         | 1       | --         | SET SCREW, DRIVE SHAFT COLLAR, 5/16-18 x 3/8" UNC-3A CUP PT - INC. W/ITEM 11 |
| 13   | 2       | 22159-0003 | 2       | 22159-0003 | 2       | 22159-0003 | SPROCKET, DRIVE SHAFT  |
| 14   | 2       | --         | 2       | --         | 2       | --         | SET SCREW, DR SHAFT SPRKT #10-32 UNF-3A KNURLED CUP PT - INC. W/ITEM 13      |
| 15   | 1       | 37378      | 1       | 37685      | 1       | 37644      | ASSEMBLY, IDLER SHAFT  |
| 16   | 2       | 37376      | 2       | 37376      | 2       | 37376      | BUSHING, CONVEYOR  |
| 17   | 8       | 22229-0003 | 6       | 22229-0003 | 6       | 22229-0003 | SPROCKET, CONVEYOR   |
| 18   | 8       | 21276-0039 | 6       | 21276-0039 | 6       | 21276-0039 | SET SCREW, CONV SPRKT, 1/4-28 x 1/2" UNF 3-A CONE PT - INC. W/ITEM 17        |
| 19   | 1       | 42400-0354 | 1       | 37686      | 1       | 35900-0405 | IDLER SHAFT, FRONT   |
| 20   | 1       | 37898      | 1       | 37898      | 1       | 37898      | SPACER   |
| 21   | 1       | 35000-1535 | 1       | 37689      | 1       | 35900-0406 | IDLER SHAFT, REAR  |
| 22   | 2       | 22450-0226 | 2       | 36541      | 2       | 22450-0204 | CONVEYOR BELT, 146" (3708mm)   |
| 23   | 2       | 42400-0089 | 2       | 42400-0589 | 2       | 42400-0090 | CONVEYOR MASTER LINKS KIT  |
| 24   | --      | --         | --      | --         | --      | --         | MASTER LINK, LEFT - INC. W/ITEM 23   |
| 25   | --      | --         | --      | --         | --      | --         | MASTER LINKS, CENTER - INC. W/ITEM 23  |
| 26   | --      | --         | --      | --         | --      | --         | MASTER LINK, RIGHT - INC. W/ITEM 23  |
| 27   | 2       | 27384-0011 | 2       | 27384-0011 | 2       | 27384-0011 | MOTOR, CONVEYOR GEAR   |
| 28   | 4       | 22450-0230 | 4       | 22450-0230 | 4       | 22450-0230 | BRUSHES, CONVEYOR GEAR MOTOR - INC. W/ITEM 27                                |
| 29   | 8       | 21122-0004 | 8       | 21122-0004 | 8       | 21122-0004 | HEX NUT, 10-32   |
| 30   | 8       | 21421-0003 | 8       | 21421-0003 | 8       | 21421-0003 | WASHER, #10 SPLIT  |
| 31   | 8       | 21421-0011 | 8       | 21421-0011 | 8       | 21421-0011 | WASHER, #10 FLAT   |
| 32   | 2       | 27170-0263 | 2       | 27170-0263 | 2       | 27170-0263 | CONVEYOR CONTROL PICKUP KIT  |
| 33   | 2       | 22159-0004 | 2       | 22159-0004 | 2       | 22159-0004 | SPROCKET, CONVEYOR GEAR MOTOR (30T)  |
| 34   | 2       | --         | 2       | --         | 2       | --         | SET SCREW, CONV DRIVE SPRKT, 10-24 UNC KNURLED CUP PT - INC. W/ITEM 33       |
| 35   | 1       | 49400-0051 | 1       | 49400-0051 | 1       | 49400-0051 | ASSEMBLY, REAR DRIVE CHAIN, 26-1/2"  |
| 36   | 1       | 22273-0003 | 1       | 22273-0003 | 1       | 22273-0003 | MASTER LINK, REAR DRIVE CHAIN - INC. W/ITEM 35                               |
| 37   | 1       | 49400-0070 | 1       | 49400-0070 | 1       | 49400-0070 | ASSEMBLY, FRONT DRIVE CHAIN, 15"   |
| 38   | 1       | 22273-0002 | 1       | 22273-0002 | 1       | 22273-0002 | MASTER LINK, FRONT DRIVE CHAIN - INC. W/ITEM 38                              |
| 39   | 2       | 35363      | 2       | 38551      | 2       | 35322      | CRUMB PAN  |



Middleby Cooking Systems Group • 1400 Toastmaster Drive • Elgin, IL 60120 • USA • (847)741-3300 • FAX (847)741-4406

***Middleby Corp 24-Hour Service Hotline 1-800-238-8444***

***[www.middleby.com](http://www.middleby.com)***