

# SPARES DIAGRAMS AND STOCK CODES STANDARD RANGE

DC SERIES FROM 2007



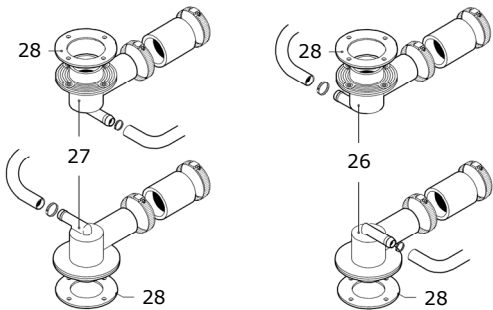
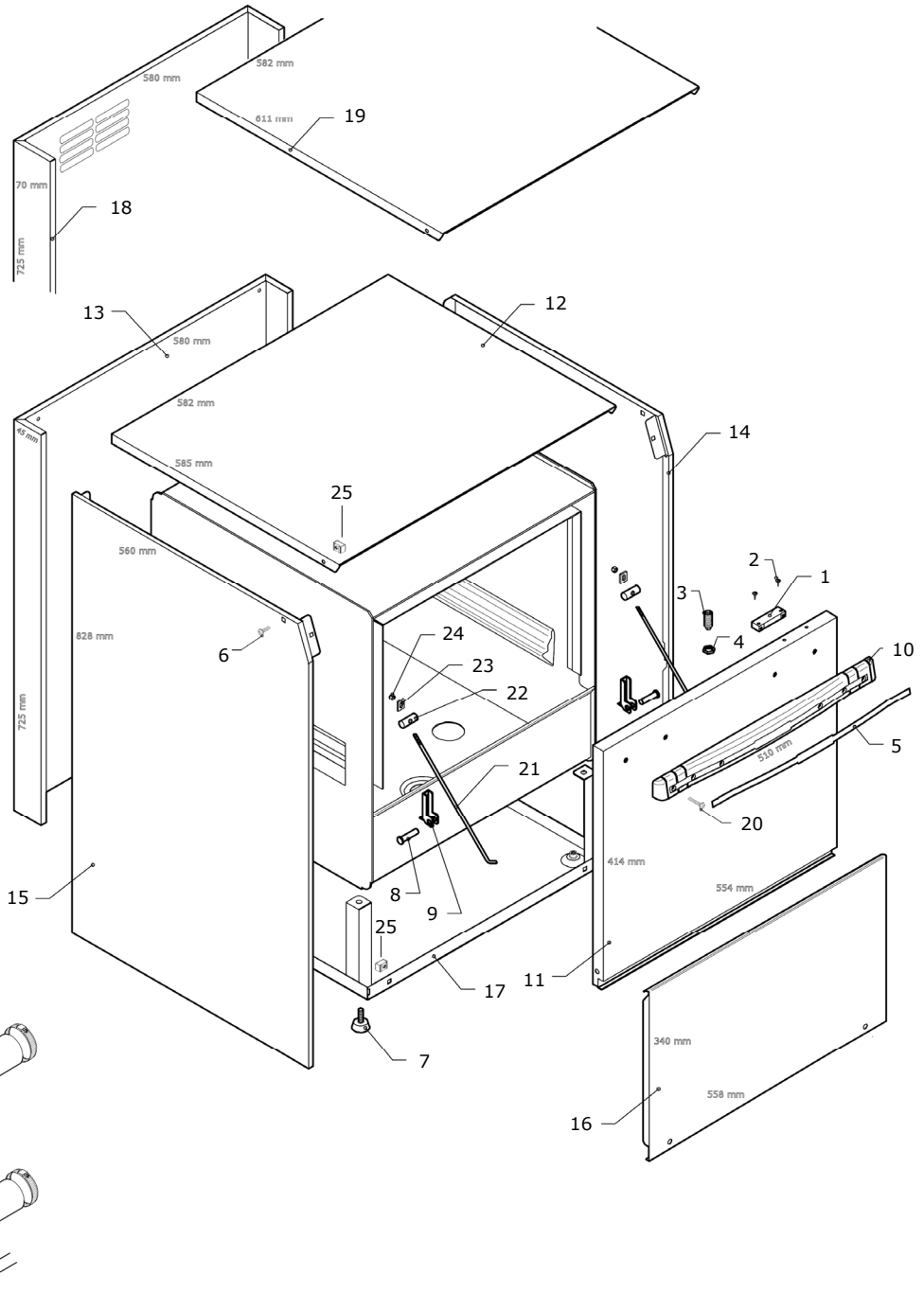
**DC070**  
**DC070-A**  
**DC070-WP**  
**DC070-A,WP**

**N700F / N700F B PS**

A - Floor to under side door		340mm		Total loading	5080 watts
B - Open door to rear	wras=1012mm	987mm		Boiler element	3.5kw
C - Door length		378mm		Wash tank element	2.5kw
D - Door surface to door opening		374mm		Wash pump motor	0.40kw
E - Basket base to rinse nut inside		309mm		Power supply-240v	25amp / 3phase
F - Foot height		30mm		Rinse boiler temp	0-90°C
G - Machine height (+/- foot 15mm)		840mm		Wash tank temp-fixed	55°C
H - Machine depth	wras=635mm	610mm		Water consumption/cycle	2.5ltr
I - Machine width		580mm		Waste outlet hose Ø	32mm / 18.5mm
J - Waste height		200mm		Basket size	500x500mm

POS CODE DESCRIPTION 2007

- 1 TR0220 DOOR MAGNET
- 2 907654 SCREW-DOOR MAGNET FIXING
- 3 906121 DOOR CATCH + NUT-S/STEEL
- 4 902023 NUT-DOOR CATCH
- 5 901661 HANDLE TRIM-DC SERIES/BLUE
- 6 907862 SCREW BOLT-PANEL FIXING
- 7 904990 FOOT M10
- 8 904795 DOOR PIN
- 9 901245 DOOR SUPPORT
- 10 903933 HANDLE PLASTIC
- 11 905184 DOOR
- 12 908612 PANEL-TOP
- 13 929332 PANEL-REAR
- 14 929333 PANEL-R/H SIDE
- 15 929334 PANEL-L/H SIDE
- 16 908614 PANEL-LOWER FRONT
- 17 904492 BASE-STRUCTURE
- 18 929337 PANEL-REAR-BREAK TANK MODELS
- 19 929338 PANEL-TOP-BREAK TANK MODELS
- 20 927734 SCREW BOLT-HANDLE FIXING
- 21 907240 DOOR STAY
- 22 905424 DOOR STOP
- 23 904952 DOOR STAY GUIDE
- 24 902040 DOOR STAY NUT
- 25 902004 CAGED NUT-M5
- 26 905449 HUB INLET HOUSING-UPPER/LOWER
- 27 905456 HUB INLET HOUSING-UPPER/LOWER
- 28 908141 GASKET-HUB-UPPER/LOWER

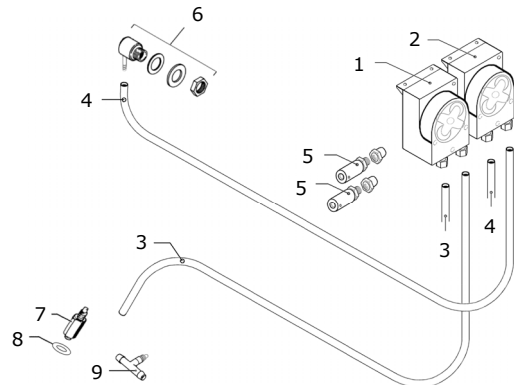


DC070 SINGLE PERISTALTIC PUMPS

FIG. 2

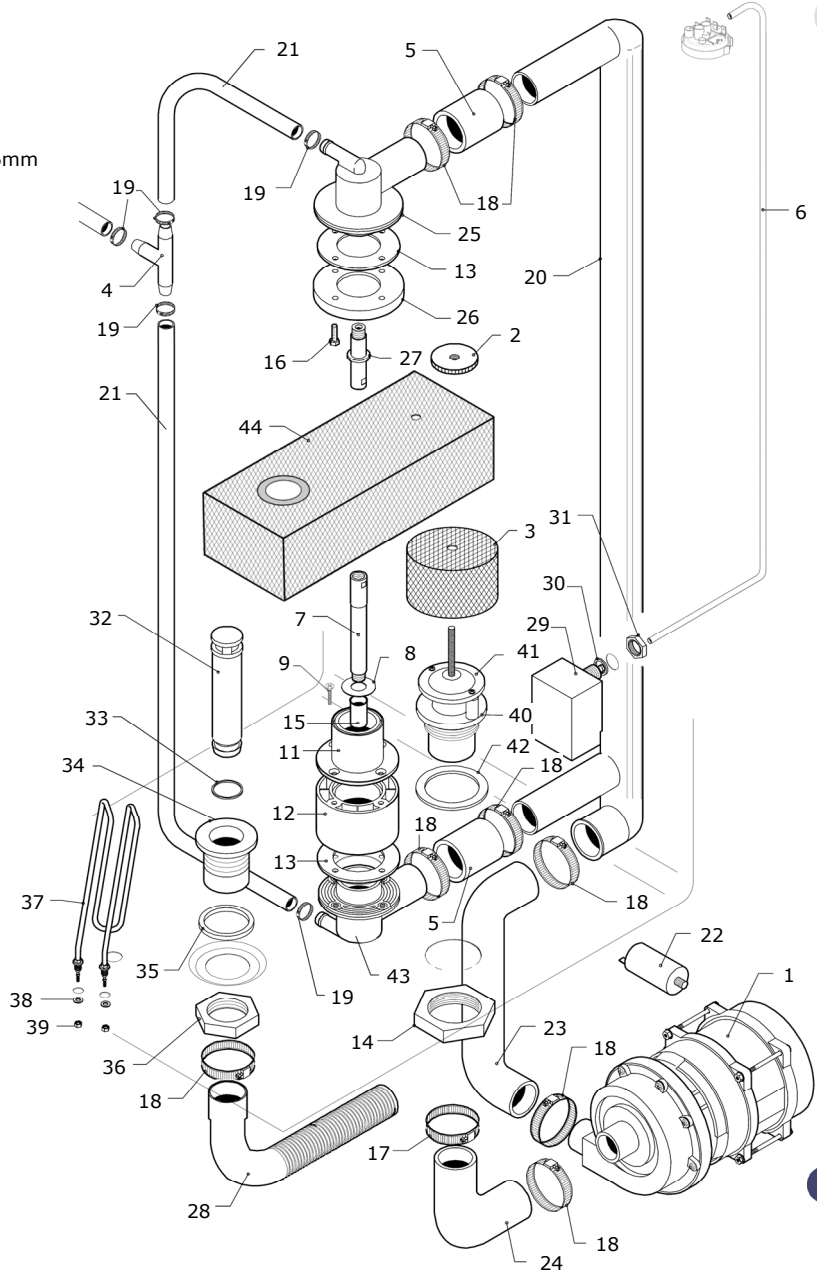
POS CODE DESCRIPTION 2007

- 1 922344 PUMP RINSE AID-PERISTALTIC-G302-GREEN
- 2 922340 PUMP DETERGENT-PERISTALTIC-G300
- 3 907279 TUBE-CLEAR-SILICON
- 4 907274 TUBE-DETERGENT-RED
- 5 906621 WEIGHT/FILTER UNIT-COMBINED
- 6 902366 ELBOW-FITTING-DETERGENT
- 7 909069 VALVE-NON RETURN-RINSE AID
- 8 903400 GASKET-FIBER-NRV
- 9 908150 TEE-RINSE AID + NON RETURN VALVE



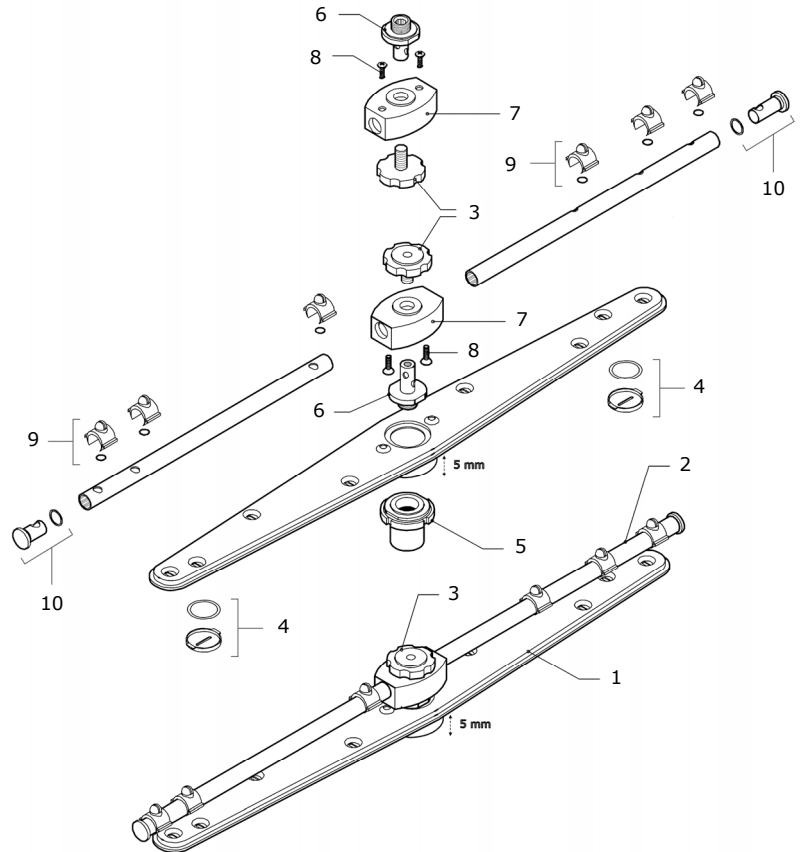
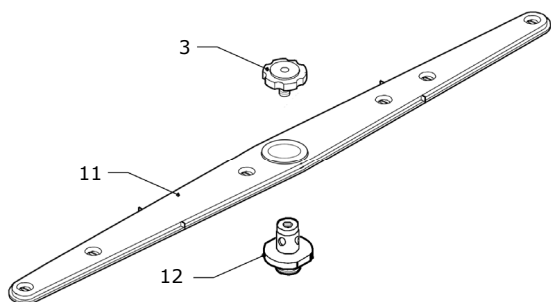
POS CODE DESCRIPTION 2007

1	902263	PUMP WASH 0.40 kw
2	902850	NUT-FILTER-PLASTIC
3	904467	FILTER-BOWL-PUMP INLET-PLASTIC-75x56mm
4	905382	TEE-HOSE RINSE HOSE/EQUAL TEE
5	903756	HOSE-CONECT-WASH HOSE
6	907279	TUBE-CLEAR-SILICON
7	908705	WASH PIN-HUB-LOWER
8	906002	WASHER-HUB-LOWER
9	929400	BOLT-HUB-LOWER
10	908141	GASKET-HUB LOWER
11	905388	HUB-LOWER-PLASTIC-PART ASSEMBLY
12	908702	COLLOR-HUB LOWER
13	908141	GASKET-HUB-UPPER/LOWER
14	902090	NUT-HOUSING PUMP INLET
15	908456	SLEVE-REDUCING-S/STEEL
16	907871	BOLT-S/STEEL-HUB UPPER
17	902481	CLIP 44-56 SIZE 56
18	902441	CLIP 38-50 / SIZE 50
19	902440	CLIP 13-20 / SIZE 20
20	908701	HOSE-WASH-UPPER/LOWER-PLASTIC
21	907360	HOSE-RINSE 10x17
22	901730	CAPACITOR / 10 uf
23	908715	HOSE-PUMP-OUTLET
24	903875	HOSE-PUMP-INLET
25	905456	HUB INLET HOUSING-UPPER/LOWER
26	902184	FLANGE-INT-HUB UPPER
27	904799	WASH PIN-UPPER
28	907450	HOSE-WASTE D=32.0
29	907252	AIR TRAP H=90mm
30	903260	GASKET-AIR TRAP 3/8"
31	902100	NUT 3/8"
32	907301	DRAIN PLUG + O-RING H=113mm
33	904404	O-RING-DRAIN PLUG
34	906464	HOUSING-DRAIN PLUG
35	904380	GASKET-HOUSING
36	902080	NUT-HOUSING
37	905745	ELEMENT-WASH TANK 2.500 kw
38	904391	O-RING-WASH TANK ELEMENT
39	923393	NUT-BRASS-ELEMENT FIXING
40	925390	HOUSING-PUMP INLET H=40mm
41	900007	COVER-HOUSING INLET H=40mm
42	903320	GASKET-HOUSING INLET
43	905449	HUB INLET HOUSING-UPPER/LOWER
44	902641	FILTER BOX-WASH/-DRAIN HOLE



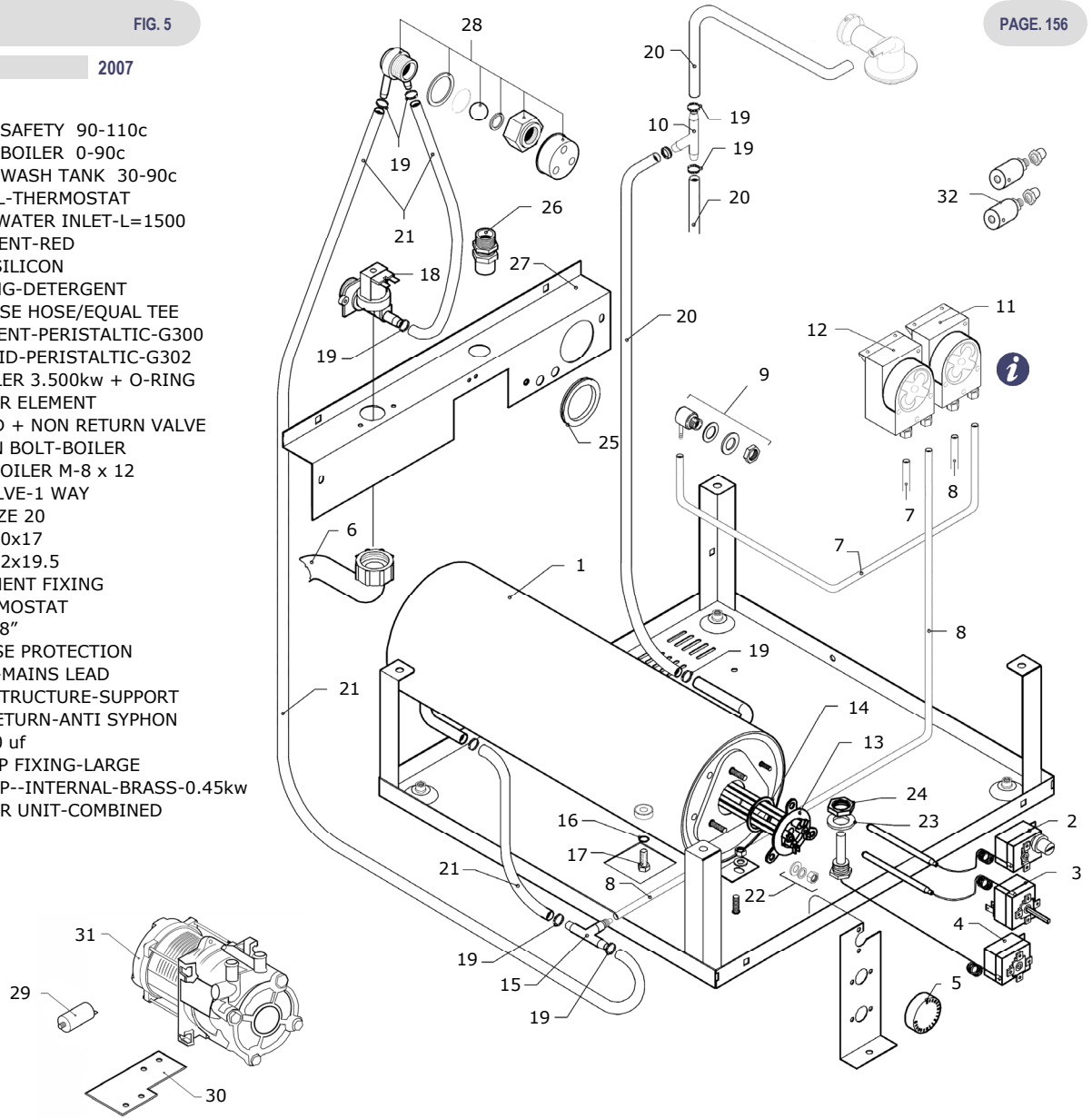
POS CODE DESCRIPTION 2007

1	923107	WASH ARM-COMPLETE -5mm RIM
2	903017	RINSE ARM-COMPLETE
3	902880	NUT-RINSE ARM-PLASTIC
4	906445	INSPECTION CLEANING CAP + O-RING
5	904277	BOSS + NUT/WASH ARM
6	904760	RINSE PIN-S/STEEL
7	904292	BOSS-RINSE ARM
8	907651	SCREW-4x8mm-S/STEEL-BOSS RINSE ARM
9	902816	JET-RINSE + O-RING
10	906451	END CAP-RINSE ARM + O-RING
11	907958	RINSE ARM-PLASTIC-PPL-COMPLETE-2007
12	908771	RINSE PIN-S/STEEL-PLASTIC RINSE ARM 2007



POS CODE DESCRIPTION 2007

1	900353	BOILER
2	907125	THERMOSTAT-SAFETY 90-110c
3	907100	THERMOSTAT-BOILER 0-90c
4	907124	THERMOSTAT-WASH TANK 30-90c
5	903982	DIAL CONTROL-THERMOSTAT
6	907344	HOSE-MAINS WATER INLET-L=1500
7	907274	TUBE-DETERGENT-RED
8	907279	TUBE-CLEAR-SILICON
9	902366	ELBOW-FITTING-DETERGENT
10	905382	TEE-HOSE RINSE HOSE/EQUAL TEE
11	922340	PUMP DETERGENT-PERISTALTIC-G300
12	922344	PUMP RINSE AID-PERISTALTIC-G302
13	905569	ELEMENT-BOILER 3.500kw + O-RING
14	907981	O-RING-BOILER ELEMENT
15	908150	TEE-RINSE AID + NON RETURN VALVE
16	904430	O-RING-DRAIN BOLT-BOILER
17	907820	DRAIN BOLT-BOILER M-8 x 12
18	902390	SOLENOID VALVE-1 WAY
19	902440	CLIP 13-20/SIZE 20
20	907360	HOSE-RINSE 10x17
21	907295	HOSE-RINSE 12x19.5
22	923392	NUT-SET/ELEMENT FIXING
23	904991	GASKET-THERMOSTAT
24	902104	NUT-PROBE 3/8"
25	904721	FAIRLEAD-HOSE PROTECTION
26	902687	CLAMP-CABLE-MAINS LEAD
27	903434	PANEL-REAR STRUCTURE-SUPPORT
28	TR2433	VALVE-NON RETURN-ANTI SYPHON
29	901730	CAPACITOR-10 uf
30	906998	BRACKET-PUMP FIXING-LARGE
31	902352	BOOSTER PUMP--INTERNAL-BRASS-0.45kw
32	906621	WEIGHT/FILTER UNIT-COMBINED



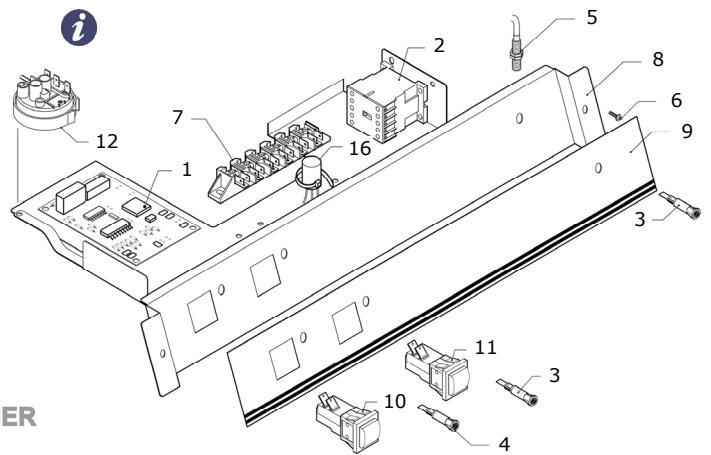
DC070

FIG. 6

POS CODE DESCRIPTION 2007

1	927180	TIMER ELECTRONIC & RELAY BOARD-3 MINUTE/DISH
2	907045	CONTACTOR 9a /250 v
3	903629	LAMP-AMBER
4	903632	LAMP-GREEN
5	TR0309	SWITCH-REED MAGNETIC-SENSOR
6	907862	SCREW BOLT-PANEL FIXING
7	904150	TERMINAL BLOCK-MAINS-6 POLE
8	904672	PANEL-CONTROL-S/STEEL
9	907013	PANEL-FACIA/GRAFIX
10	925325	SWITCH-ON/OFF-2 PIN-GREY
11	925332	SWITCH-CYCLE START-GREY
12	905270	PRESSURE SWITCH-40/20-WASH TANK
16	902105	NOISE FILTER-SUPPRESSOR

P.C.B TIMER

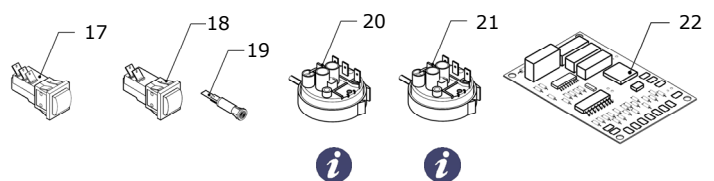


DC070-A,WP

FIG. 7

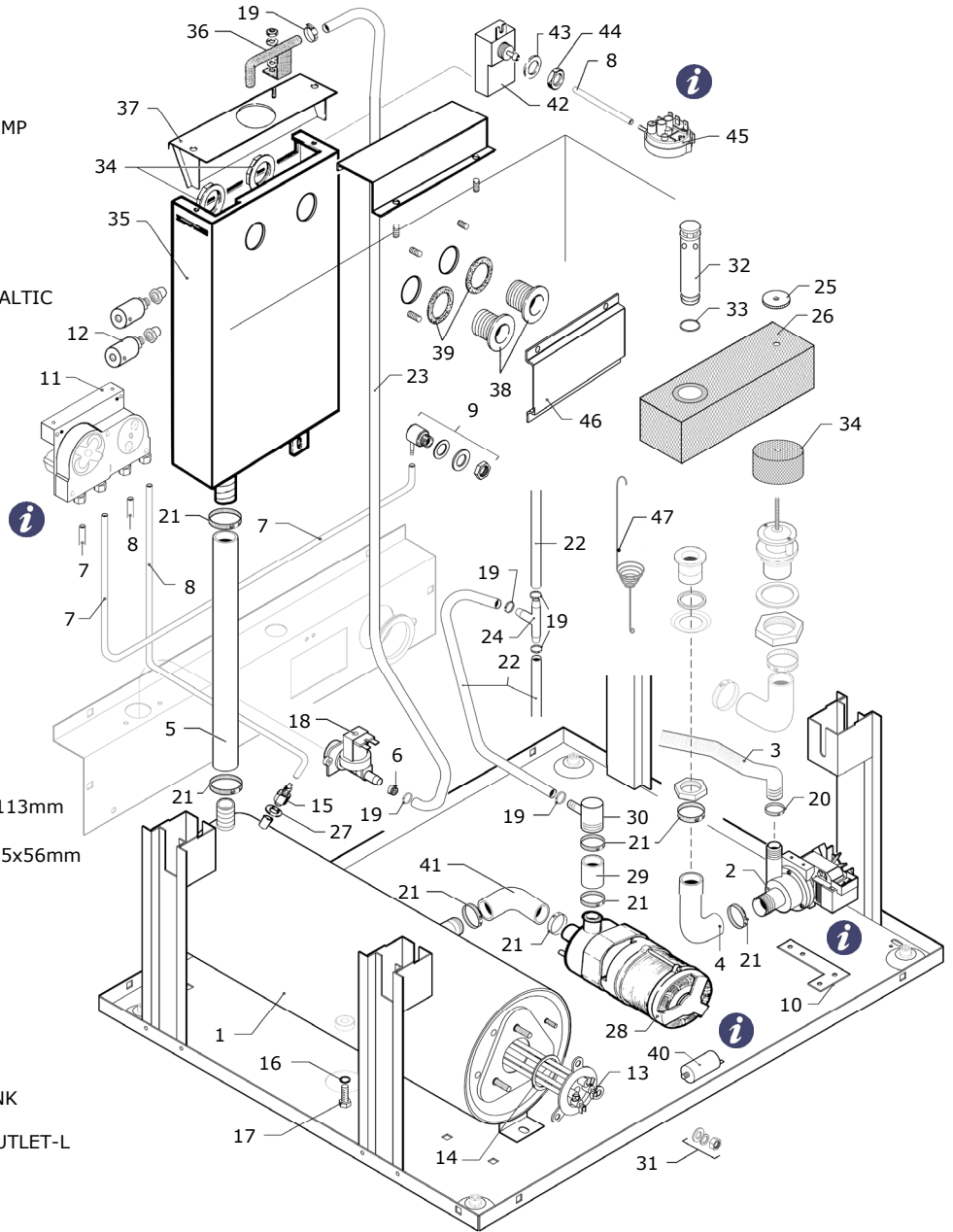
POS CODE DESCRIPTION 2007

17	925334	SWITCH-ON/OFF-3 PIN-WASTE PUMP-GREY
18	925337	SWITCH-WASTE PUMP-GREY 2 PIN
19	903629	LAMP-AMBER
20	905270	PRESSURE SWITCH-40/20-BREAK TANK
21	925270	PRESSURE SWITCH-35/17-WASTE PUMP MACHINES
22	907174	TIMER ELECTRONIC & RELAY BOARD-6*-WASTE PUMP



POS	CODE	DESCRIPTION	2007
-----	------	-------------	------

- 1 900363 BOILER-TYPE "A"
- 2 902346 PUMP-WASTE-ANTI AIR LOCK
- 3 907439 HOSE-WASTE D=18.5/L=2000
- 4 908196 HOSE-HOUSING DRAIN TO WASTE PUMP
- 5 903675 HOSE-BREAK TANK HOSE
- 6 922391 RESTRICTOR VALVE-8ltr / MIN
- 7 907274 TUBE-DETERGENT-RED
- 8 907279 TUBE-CLEAR-SILICON
- 9 902366 ELBOW-FITTING-DETERGENT
- 10 906997 BRACKET-WASTE PUMP FIXING
- 11 902045 PUMP RINSE AID/DETERGENT-PERISTALTIC
- 12 906621 WEIGHT/FILTER UNIT-COMBINED
- 13 905569 ELEMENT-BOILER 3.500kw + O-RING
- 14 907981 O-RING-BOILER ELEMENT
- 15 909069 VALVE-NON RETURN-RINSE AID
- 16 904430 O-RING-DRAIN BOLT-BOILER
- 17 907820 DRAIN BOLT-BOILER M-8 x 12
- 18 922390 SOLENOID VALVE-1 WAY-8ltr / MIN
- 19 902440 CLIP 13-20/SIZE 20
- 20 902454 CLIP 19-28/SIZE 28
- 21 902460 CLIP 26-38/SIZE 38
- 22 907360 HOSE-RINSE 10x17
- 23 907295 HOSE-RINSE 12x19.5
- 24 905382 TEE-HOSE RINSE HOSE/EQUAL TEE
- 25 902850 NUT-FILTER-PLASTIC
- 26 902641 FILTER BOX-WASH/-DRAIN HOLE
- 27 903400 GASKET-FIBER-NRV
- 28 902235 PUMP 0.20 kw-RINSE BOOSTER PUMP
- 29 903714 HOSE-OUTLET-R.B.P
- 30 901651 ELBOW-REDUCING-RBP-S/STEEL
- 31 923392 NUT-SET/ELEMENT FIXING
- 32 927301 DRAIN PLUG-WP-HOLES+O-RING-H=113mm
- 33 904404 O-RING-DRAIN PLUG
- 34 904467 FILTER-BOWL-PUMP INLET-PLASTIC-75x56mm
- 35 900000 BREAK TANK
- 36 900002 TAP-OUTLET-BREAK TANK
- 37 900001 COVER-BREAK TANK-TOP
- 38 TR1234 HOUSING OVERFLOW-BREAK TANK
- 39 903325 GASKET-HOUSING OVERFLOW
- 40 901744 CAPACITOR-6.3 uf
- 41 903713 HOSE-INLET-R.B.P
- 42 907252 AIR TRAP H=90-BREAK TANK
- 43 903260 GASKET-AIR TRAP 3/8"
- 44 902100 NUT 3/8"
- 45 905270 PRESSURE SWITCH-40/20-BREAK TANK
- 46 900024 COVER-BREAK TANK-OUTLET
- 47 925545 FILTER-COIL SPRING PROTECTION OUTLET-L



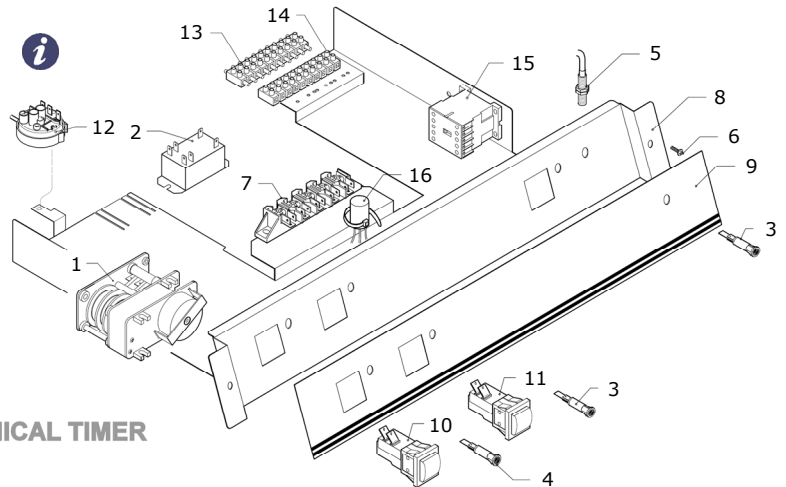
DC070

FIG. 9

POS	CODE	DESCRIPTION	2007
-----	------	-------------	------

- 1 907180 TIMER UNIT 3 MINUTE/DISH
- 2 909068 RELAY-6 PIN 250v/WHITE
- 3 903629 LAMP-AMBER
- 4 903632 LAMP-GREEN
- 5 TR0309 SWITCH-REED MAGNETIC-SENSOR
- 6 907862 SCREW BOLT-PANEL FIXING
- 7 904150 TERMINAL BLOCK-MAINS-6 POLE
- 8 904672 PANEL-CONTROL-S/STEEL
- 9 907013 PANEL-FACIA/GRAFIX
- 10 925325 SWITCH-ON/OFF-2 PIN-GREY
- 11 925332 SWITCH-CYCLE START-GREY
- 12 905270 PRESSURE SWITCH-40/20-WASH TANK
- 13 904200 TERMINAL BLOCK 10 POLE-M
- 14 904170 TERMINAL BLOCK 10 POLE-F
- 15 907045 CONTACTOR 9a /250 v
- 16 902105 NOISE FILTER-SUPPRESSOR

MECHANICAL TIMER

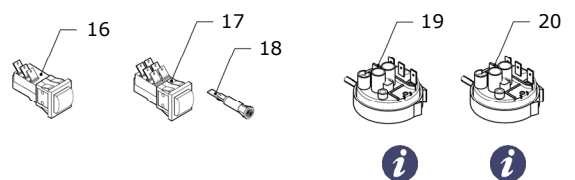


DC070-A,WP

FIG. 10

POS	CODE	DESCRIPTION	2007
-----	------	-------------	------

- 16 925334 SWITCH-ON/OFF-3 PIN-WASTE PUMP-GREY
- 17 925340 SWITCH-WASTE PUMP-6 POLE-GREY
- 18 903629 LAMP-AMBER
- 19 905270 PRESSURE SWITCH-40/20-BREAK TANK
- 20 925271 PRESSURE SWITCH-35/17-WP/WASH TANK

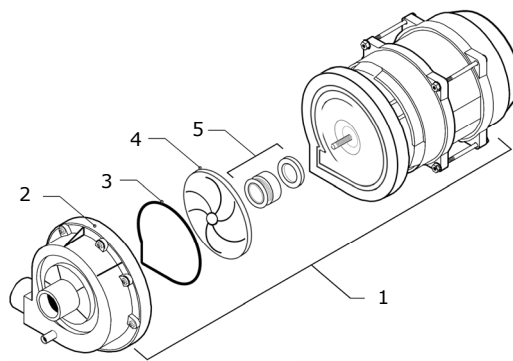


## DC070 WASH PUMP-PARTS



POS CODE DESCRIPTION 2007

1	902263	PUMP WASH 0.40 kw
2	902263A	IMPELLOR HOUSING
3	902263B	SEAL-IMPELLOR HOUSING
4	902263C	IMPELLOR
5	902263D	SEAL-INNER SHAFT

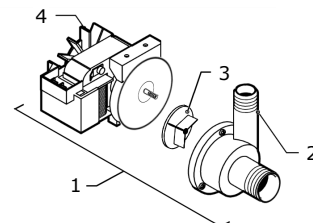


## DC070 WASTE PUMP-PARTS



POS CODE DESCRIPTION 2007

1	902346	PUMP-WASTE-ANTI AIR LOCK-BLACK
2	922338	IMPELLOR HOUSING-WASTE PUMP-TOP EXIT
3	922337	IMPELLOR-WASTE PUMP
4	920031	FAN-WASTE PUMP



## DC070 SINGLE PERISTALTIC PUMP-PARTS

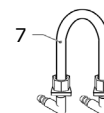
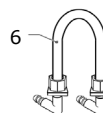
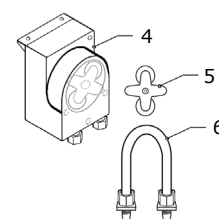
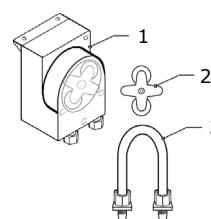


POS CODE DESCRIPTION 2007

1	922344	PUMP RINSE AID-PERISTALTIC-G302 / GREEN
2	920091	ROTOR-PUMP-RINSE AID-GERMAC-G302
3	908323	PERISTALTIC TUBE RINSE AID-GERMAC-G302
4	922340	PUMP DETERGENT-PERISTALTIC-G300 / GREEN
5	920090	ROTOR-PUMP-DETERGENT-GERMAC-G300
6	907287	PERISTALTIC TUBE-PUMP DETERGENT-GERMAC-G300

PUMP RINSE AID

PUMP DETERGENT



RINSE AID REAR FACING TAG TIED FITTING

DETERGENT REAR FACING TAG TIED FITTING

## DC070 SINGLE PERISTALTIC PUMP-PARTS



POS CODE DESCRIPTION 2007

6	928323	PERISTALTIC TUBE RINSE AID-REAR FACING-GERMAC-G302E
7	927287	PERISTALTIC TUBE-PUMP DETERGENT-REAR FACING-GERMAC-G300E

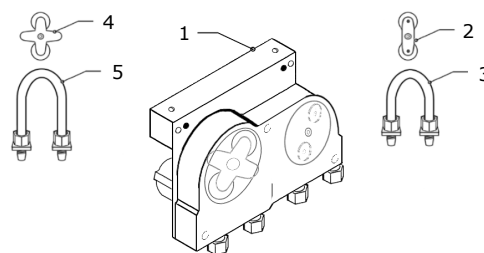
## DC070 DUEL PERISTALTIC PUMP-PARTS



POS CODE DESCRIPTION 2007

1	902045	PUMP RINSE AID/DETERGENT-DUEL PERISTALTIC-G650 / BLACK
2	907289	ROTOR-PUMP-RINSE AID-GERMAC-DUEL-G650
3	908328	PERISTALTIC TUBE RINSE AID-GERMAC-DUEL-G650
4	920090	ROTOR-PUMP-DETERGENT-GERMAC-G650
5	908329	PERISTALTIC TUBE-DETERGENT-GERMAC-G650

PUMP RINSE AID & DETERGENT DUEL



## DC070 SINGLE PERISTALTIC PUMP-PARTS

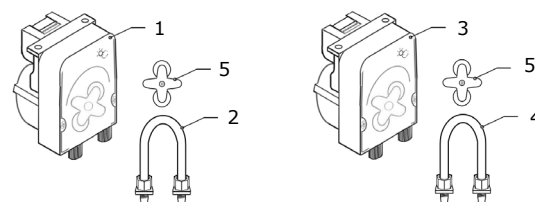


POS CODE DESCRIPTION 2007

1	902344	PUMP RINSE AID-PERISTALTIC-SEKO
2	907277	PERISTALTIC TUBE-PUMP-RINSE AID-SEKO
3	902340	PUMP DETERGENT-PERISTALTIC-SEKO
4	907276	PERISTALTIC TUBE-PUMP-DETERGENT-SEKO
5	907281	ROTOR-SEKO RINSE AID & DETERGENT PUMP

RINSE AID PUMP-PERISTALTIC SEKO

DETERGENT PUMP-PERISTALTIC SEKO

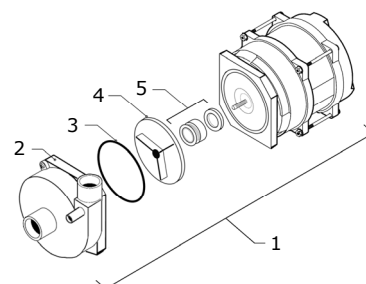


## DC070 RINSE BOOSTER PUMP-PARTS



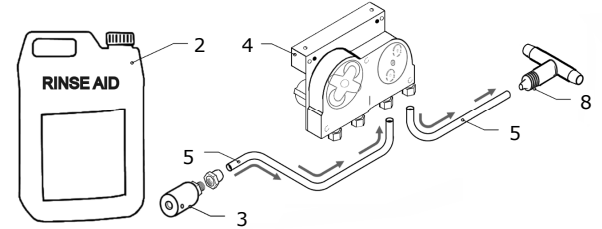
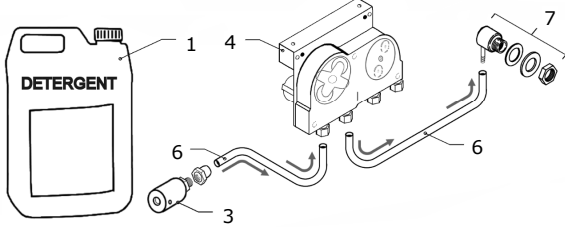
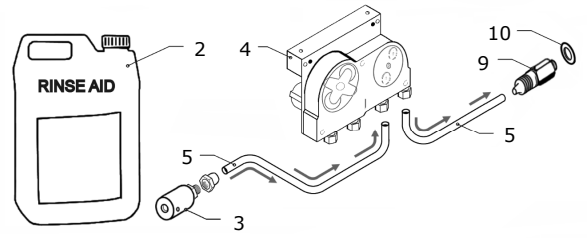
POS CODE DESCRIPTION 2007

1	902235	RINSE BOOSTER PUMP-BLUE HEAD-020 kw
2	902235A	IMPELLOR HOUSING
3	902235B	SEAL-IMPELLOR HOUSING
4	902235C	IMPELLOR
5	902235D	SEAL-INNER SHAFT



POS CODE DESCRIPTION

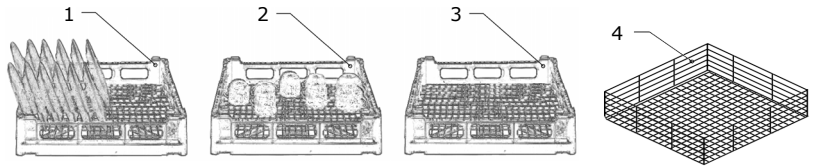
1	D1011	DETERGENT-DC SERIES 5LTR
2	D1008	RINSE AID-DC SERIES 5LTR
3	906621	WEIGHT/FILTER UNIT-NRV-COMBINED
4	902045	PUMP RINSE AID/DETERGENT-DUEL-G650
5	907279	TUBE-CLEAR-SILICON
6	907274	TUBE-DETERGENT-RED
7	902366	ELBOW-FITTING-DETERGENT
8	908150	TEE-RINSE AID-NON RETURN VALVE
9	920060	VALVE-NON RETURN-RINSE AID
10	920061	GASKET-FIBER-VALVE-NON RETURN



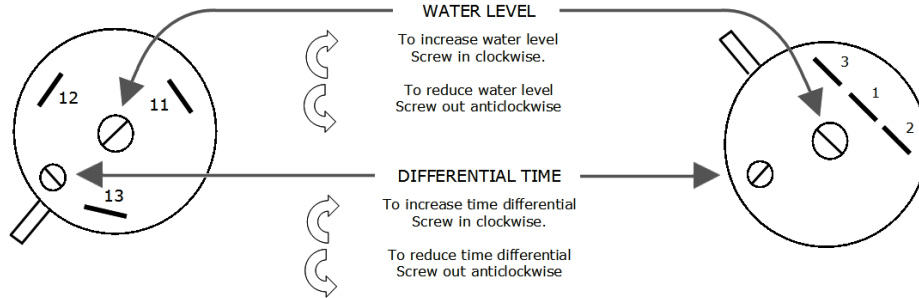
DC070 BASKETS

POS CODE DESCRIPTION

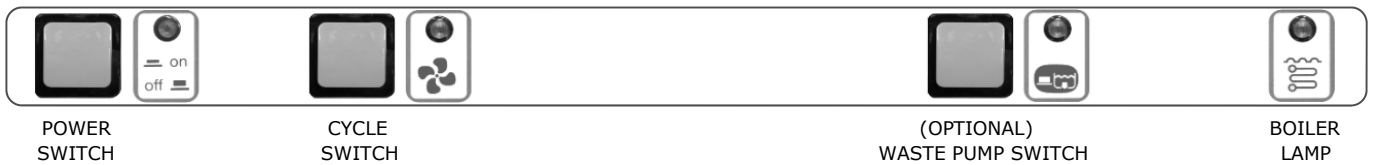
1	901500	BASKET-DISH-PLASTIC-500x500x100mm
2	901510	BASKET-CUP-PLASTIC-500x500x100mm
3	901511	BASKET-CUTLERY-PLASTIC-500x500x100mm
4	901400	BASKET-GLASS-WIRE-500x500mm



DC070 PRESSURE SWITCH ADJUSTMENT



DC070 CONTROL PANEL LAYOUT



DC070 MACHINE IDENTIFICATION

Model & Serial numbers, Power ratings & Manufactures date can be found on the identification plate located on the right side panel & inside the lower front panel.

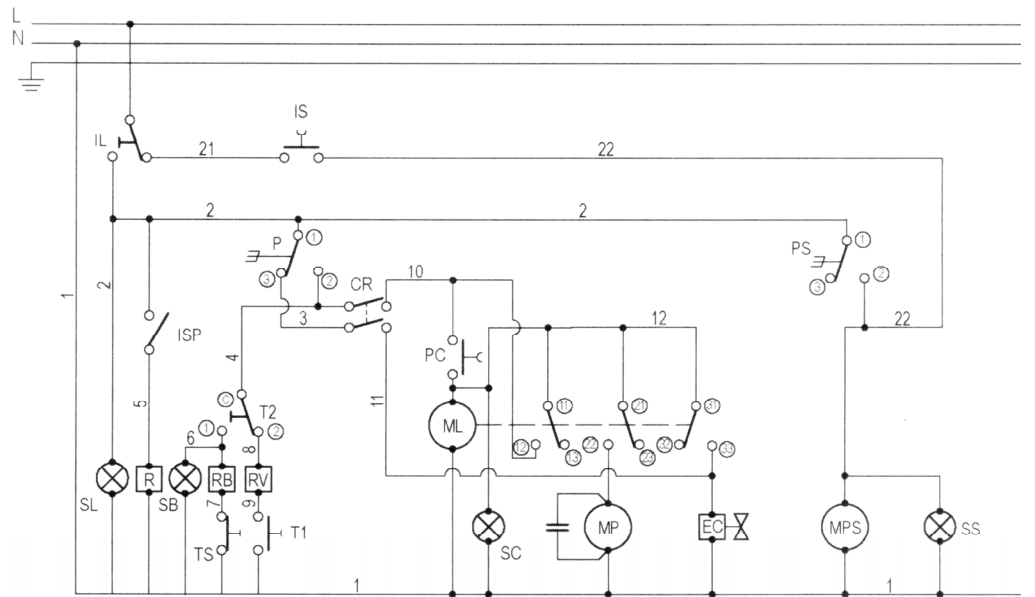
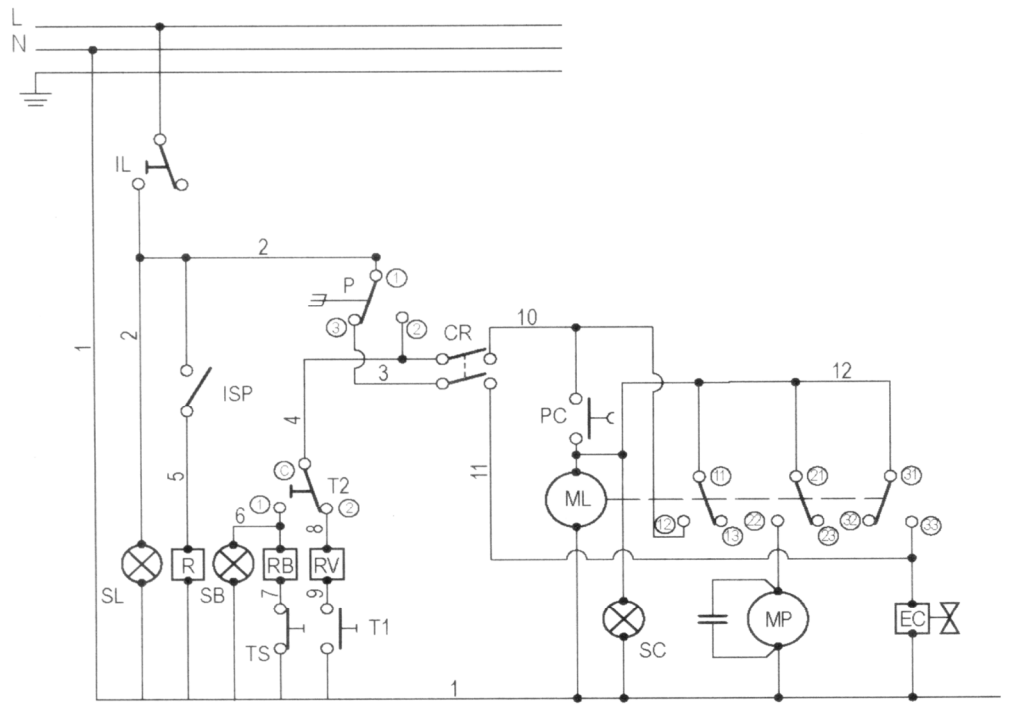


DIRECT CATERING PRODUCTS  
NORTHLOAD HOUSE  
BRISTOL BS28 4SY UK

MODEL:	DC 070
VOLT:	240/1~50 HZ
DATE:	01/01/07
SERIAL NUMBER:	10000

WATT:

- CR DOOR MICRO SWITCH CONTACT
- EC RINSE SOLNOID VALVE
- EF COLD RINSE SOLENOID VALVE V.2
- IL LINE SWITCH
- ISP DOOR SAFTY REED SWITCH
- ML TIMER
- MP WASH PUMP MOTOR
- MPS WASTE PUMP MOTOR
- MR REGENERATION TIMER
- P PRESSURE SWITCH
- PC CYCLE SWITCH
- MPS WASTE PUMP
- PS WASTE PUMP
- PRF COLD RINSE SWITCH
- R DOOR SWITCH RELAY
- RB BOILER ELEMENT
- RV WASH TANK ELEMENT
- SB BOILER READY LAMP
- SC CYCLE LAMP
- SL ON/OFF LAMP
- SS WASTE PUMP LAMP
- SRF COLD RINSE LAMP
- T1 THERMOSTAT-WASH TANK
- T2 THERMOSTAT-BOILER
- TS THERMOSTAT-SAFTY-OVERLOAD



PIN	FUNCTION			907174	907175	907177
P1	DOOR REED SWITCH	PERMANENT INPUT	230V/240V 50-60HZ	X	X	X
P7	POWER ON / DOOR REED SWITCH	PERMANENT INPUT	230V/240V 50-60HZP	X	X	
P10	PRESSURE SWITCH	PERMANENT INPUT	230V/240V 50-60HZ	X	X	X
P11	POWER SUPPLY		230V/240V 50-60HZ	X	X	X
P12	POWER SUPPLY		230V/240V 50-60HZ	X	X	X
P13	WASTE PUMP	RELAY 4 / 10 AMPS	230V/240V 50-60HZ 100W	X	X	X
P14	SOLNOID AND PERISTALTICS	RELAY 2 / 10 AMPS	230V/240V 50-60HZ 5W	X	X	X
P15	REGENERATION SOLNOID	RELAY 3 / 10 AMPS	230V/240V 50-60HZ 5W	X		
P15	RINSE BOOSTER PUMP	RELAY 2 / 10 AMPS	230V/240V 50-60HZ 200W	X		X
P16	WASH PUMP	RELAY 1 / 10 AMPS	230V/240V 50-60HZ 1 HP	X	X	X
P17	REGENERATION LAMP	TC1	230V/240V 50-60HZ 0.5W	X		
P18	WASHING CYCLE LAMP	TC2	230V/240V 50-60HZ 0.5W	X	X	X
P20	INPUT WASH CYCLE	60 SEC 0.5 SEC INPUT	230V/240V 50-60HZ	X	X	X
P21	INPUT WASH CYCLE	75 SEC 0.5 SEC INPUT	230V/240V 50-60HZP	X		X
P22	INPUT WASH CYCLE	90 SEC 0.5 SEC INPUT	230V/240V 50-60HZ	X		
P23	INPUT WASH CYCLE	120 SEC 0.5 SEC INPUT	230V/240V 50-60HZ	X	X	X
P24	INPUT WASH CYCLE	150 SEC 0.5 SEC INPUT	230V/240V 50-60HZ	X		
P25	INPUT WASH CYCLE	180 SEC 0.5 SEC INPUT	230V/240V 50-60HZ	X	X	X
P26	INPUT REGENERATION CYCLE	1 SEC INPUT	230V/240V 50-60HZ	X		

P.C.B TIMER

ID & CODE

