

- (A)** COMPLETE REED SWITCH
- (B)** CONTACTOR
- (C)** POWER CORD
- (D)** CIRCUIT BOARD
- (M)** MOTEUR CL55 220/60/1
- (X)** (L) Capacitor
- (Y)** (M)Capacitor Relay

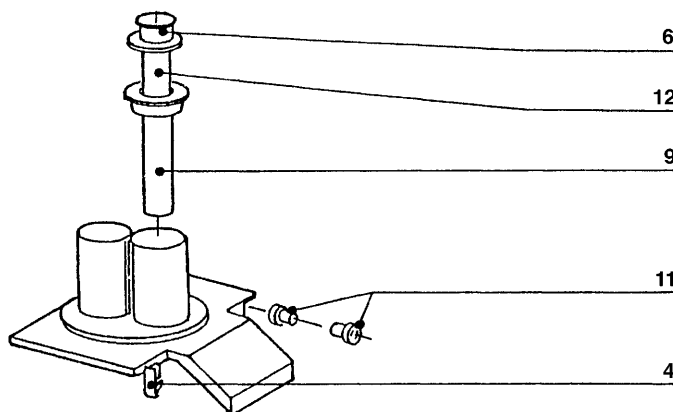
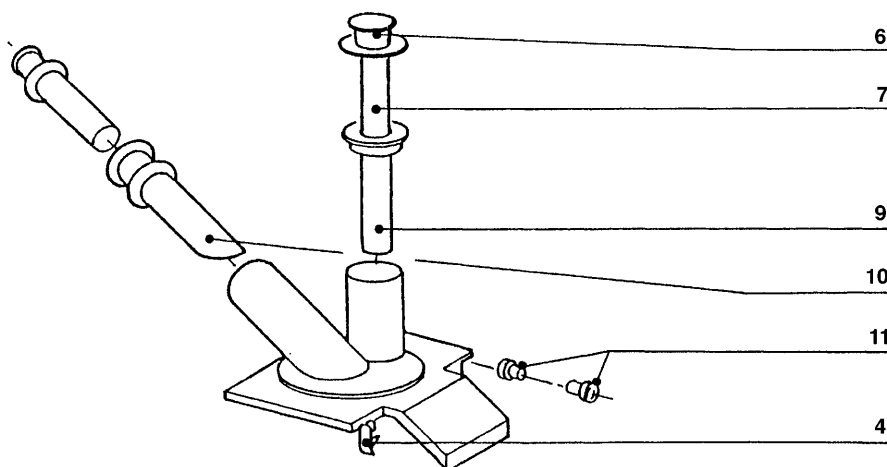
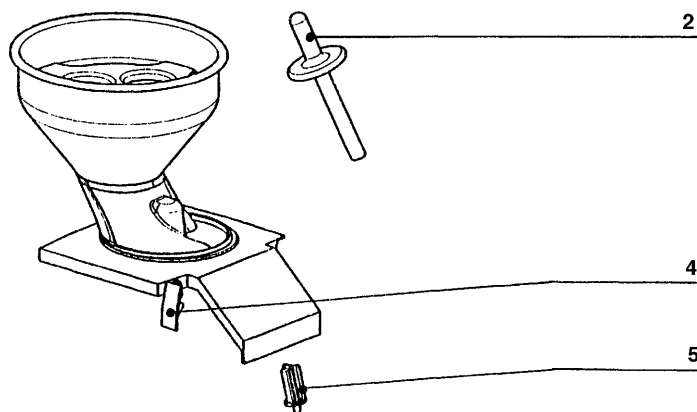
INDEX	REF.	DESIGNATION	Pricelist in : GBP
1	29593	*(M)Bulk Feed Lead	Contact us
2	100062	SLING PLATE	17,50
3	29061	LOCKING ROD ASS	14,20
4	400870	FRONT PLATE	12,50
5	500322	GREEN KNOB	Contact us
6	500321	RED KNOB	Contact us
7	500300	RED KNOB	33,10
8	209209	STRAIGHT BLADE KNIFE CR	1,10
9	100768	STUD	1,90
10	101437	BRACE	Contact us
11	101361	MOTOR SUPPORT PLATE	Contact us
12	500247	GREY FOOT	2,80
13	101418	GREY FOOT	1,60
14	29578	COVER BASE ASS	Contact us
15	117821	PUSHER	Contact us
16	29066	(K)Feed Lead Latch W/Magnet	37,30
17	117777	AGITATOR	28,40
18	28102	AUTOMATIC FEED HEAD	See Price list
19	29058	SHOULDERED RING ASS	8,70
20	29221	BOWL ASS	346,60
21	501624	SEAL RING	10,10
22	110308	MOTOR SHAFT PIN	4,10
23	101428	SHAFT	108,30
24	515493	RING	7,30
25	141020	RUBBING WASHER	2,00
26	29228	TRANSMISSION SHAFT ASS	Contact us
27	130933	PULLEY (75 teeth)	16,30
28	515482	BELT	Contact us
29	101438	PULLEY (20 teeth)	Contact us
30	515515	POWER CORD PROTECTOR	3,10

robot coupe

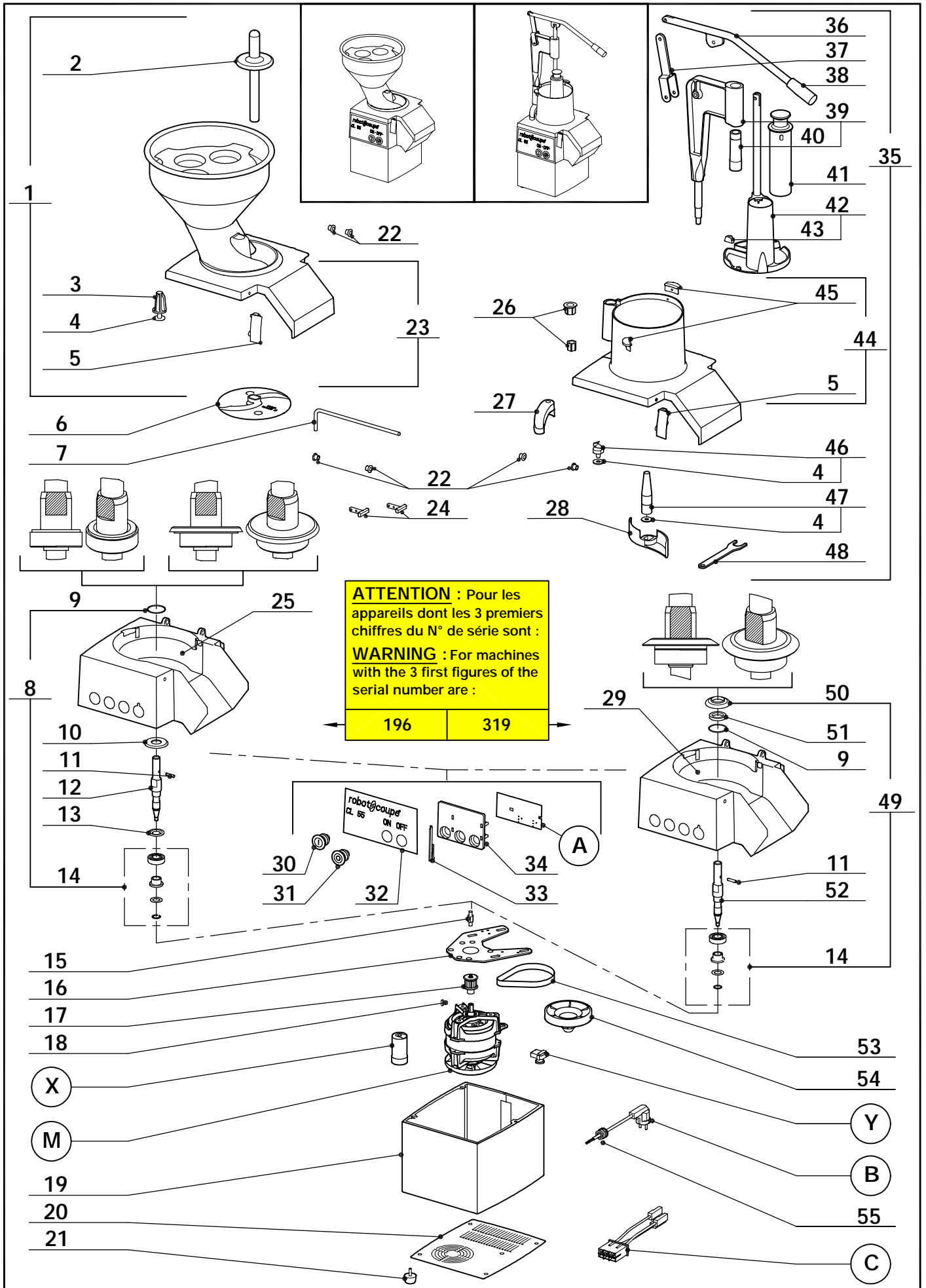
CL 55 Auto

Pricelist in : GBP

N°	M	Voltage	A	B	C	D	X	Y	
24332 UK	301015 268,20	230 / 50 / 1	101447 13,90	---	507325 Contact us	102471 Contact us	508211 Contact us	514030 41,90	
24327	301013 402,80	400 / 50 / 3	101449 12,30	507650 94,30	502067 Contact us	---	---	---	



INDEX	REF.	DESIGNATION	Pricelist in : GBP
2	117821	PUSHER	Contact us
4	29066	(K)Feed Lead Latch W/Magnet	37,30
5	117777	AGITATOR	28,40
6	101263	PUSHER D50	126,10
7	101278	PUSHER D70	Contact us
9	101417	STRAIGHT INSERT D50	Contact us
10	101415	BIAIS INSERT D50	Contact us
11	29058	SHOULDERED RING ASS	8,70
12	101279	PUSHER D75	97,50



- (A)** (K)Control Board
- (B)** POWER CORD
- (C)** (K)Control Wire Connector
- (D)** CONNECTION BEAM
- (M)** (M)Motor Assy
- (X)** (L) Capacitor
- (Y)** (M)Capacitor Relay

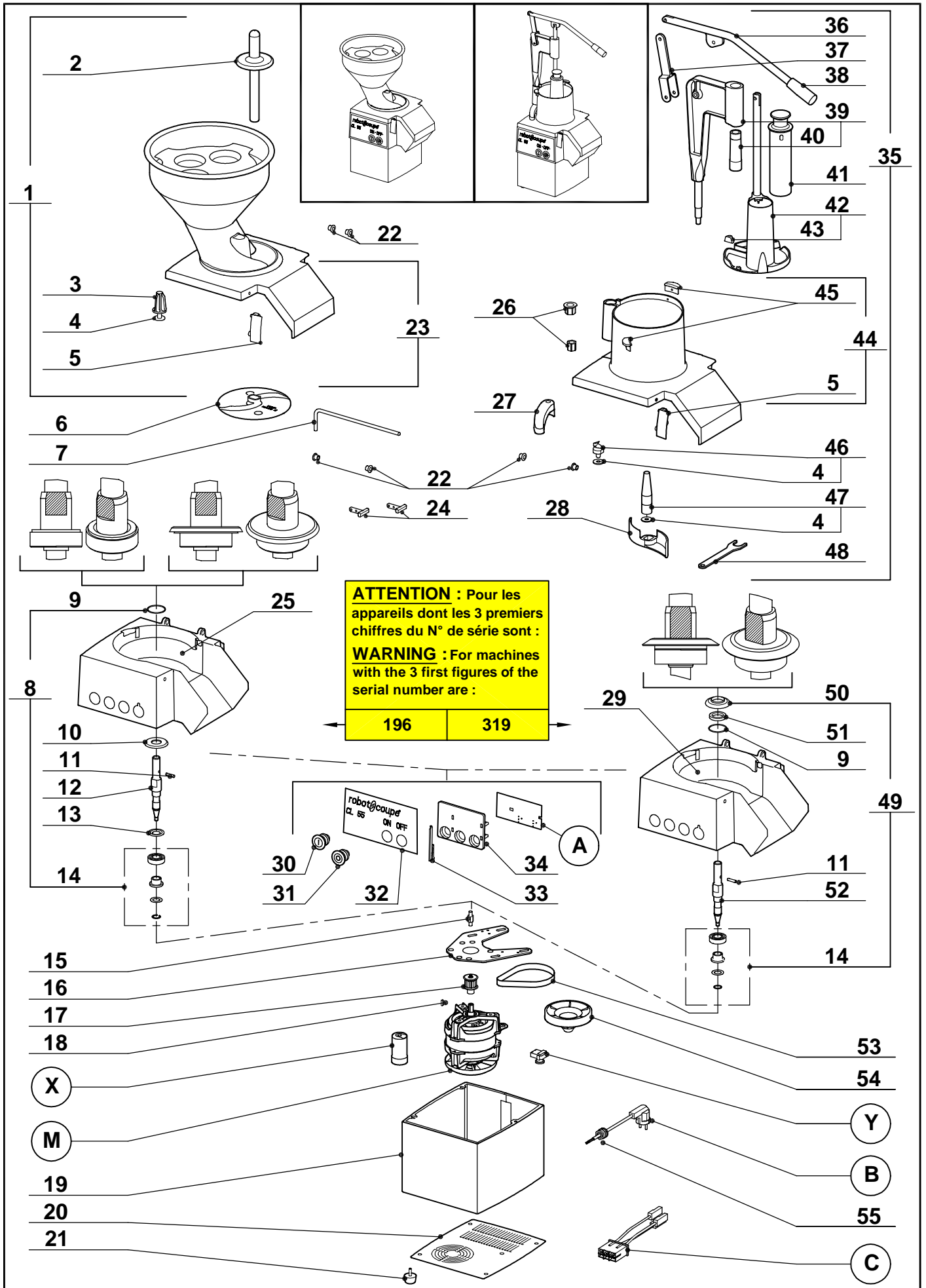
INDEX	REF.	DESIGNATION	Pricelist in : GBP
1	28102	AUTOMATIC FEED HEAD	See Price list
2	117821	PUSHER	Contact us
3	117777	AGITATOR	28,40
4	117200	WASHER	1,30
5	29501	(K)Lock for Feed Cover	Contact us
6	102690	(K)Discharge Plate	17,50
7	29061	LOCKING ROD ASS	14,20
8	29693	(M)Drive Shaft Assy	210,90
9	504219	(K) O Ring 42x2, CL50D	Contact us
10	39197	CL50D SEAL ASSEMBLY	Contact us
11	110308	MOTOR SHAFT PIN	4,10
12	118380	(M)Shaft Only	Contact us
13	203107	(K)Seal Protector	4,10
14	29630	(K)Bearing Assy, Lower	31,60
15	119145	CL55D Motor support brace	Contact us
16	117689	(K)Motor Support Plate	37,00
17	29532	(M)Motor Pulley-20 Teeth	Contact us
18	502768	CLAVETTE 4X4X16	Contact us
19	117791	(M)S.S. Base Cover	146,30
20	117687	(L)Bottom Cover	41,90
21	500247	GREY FOOT	2,80
22	29058	SHOULDERED RING ASS	8,70
23	29593	*(M)Bulk Feed Lead	Contact us
24	29451	(K)Magnetic Switch Assy	14,30
25	29628	(M)Upper Housing W/Chute	Contact us
26	29707	(M)Pusher Pivot Bushing	6,70
27	29705	(M)Magnet Safety Arm	31,40
28	118420	(Q) Discharge Vane CL60D	Contact us
29	39200	CL50D BOWL ASSEMBLY	Contact us
30	502170	(K)On Switch (Green)	16,40
31	502169	(K)Off Switch (Red)	16,40
32	406517	(M)Front Data Plate	Contact us
33	117703	PCB LOCKING KEY	1,00
34	29533	(K)Mount Spacer for Control Board	15,80
35	28103	* (M) Whole Head Feed Pusher Assy	See Price list
36	29710	(M)Pusher Lever	Contact us
37	103205	(M)Pusher Lever Yoke	59,20
38	509200	(Q) Plastic Handle, CL60D	Contact us
39	29704	(M)Pusher Support Assy	210,90
40	118331	(M)Pusher Slide Bushing	2,80
41	118397	(M)Small Pusher	Contact us
42	29709	(M)Large Pusher	Contact us
43	29706	(M)Pusher Stop Assy	10,10
44	29708	(M)Feed Lead W/O Pusher	264,00
45	117321	(M)Pusher Guide Bushing	1,80
46	29692	(M)Cabbage Plate Lock Nut	73,10
47	29156	FEEDING CONE ASS	81,60
48	118436	(M)Lock Nut Wrench	11,60
49	39199	CL55D RECEIPT SHAFT ASSY	Contact us
50	101547	CL50D DEFLECTOR	Contact us
51	501678	25X42X7 FPM Seal ring	Contact us
52	104295	DRIVING FRAME ASSEMBLY	Contact us
53	515482	BELT	Contact us



CL 55 D Levier

Pricelist in : GBP

N°	M	Voltage	A	B	C	D	X	Y	
2734 UK	303082 268,20	240 / 50 / 1	102480 101,80	507029 Contact us	29599 9,40	---	508211 Contact us	514030 41,90	
2742 UK wi	303082 268,20	240 / 50 / 1	102480 101,80	507029 Contact us	29599 9,40	---	508211 Contact us	514030 41,90	
2738 sans	303083 268,20	400 / 50 / 3	102479 104,90	515570 Contact us	29600 Contact us	---	---	---	
2746	303083 268,20	400 / 50 / 3	102479 104,90	515570 Contact us	29600 Contact us	---	---	---	



- (A)** (K)Control Board
- (B)** POWER CORD
- (C)** (K)Control Wire Connector
- (D)** CONNECTION BEAM
- (M)** (M)Motor Assy
- (X)** (L) Capacitor
- (Y)** (M)Capacitor Relay

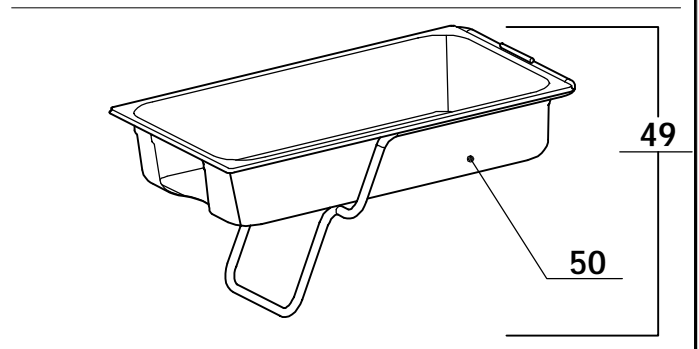
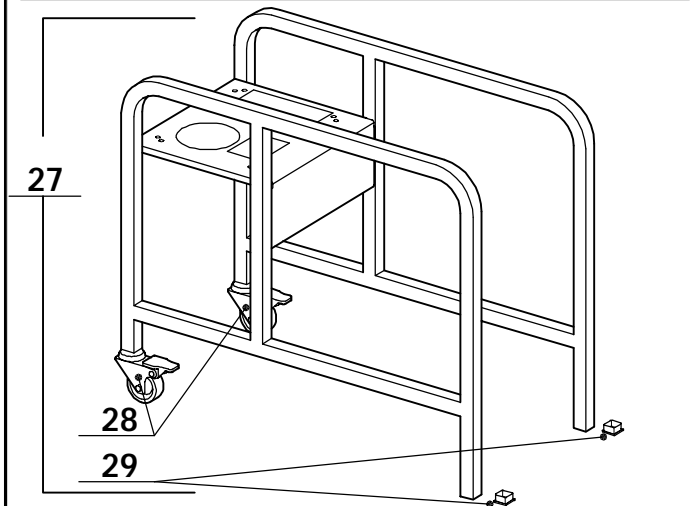
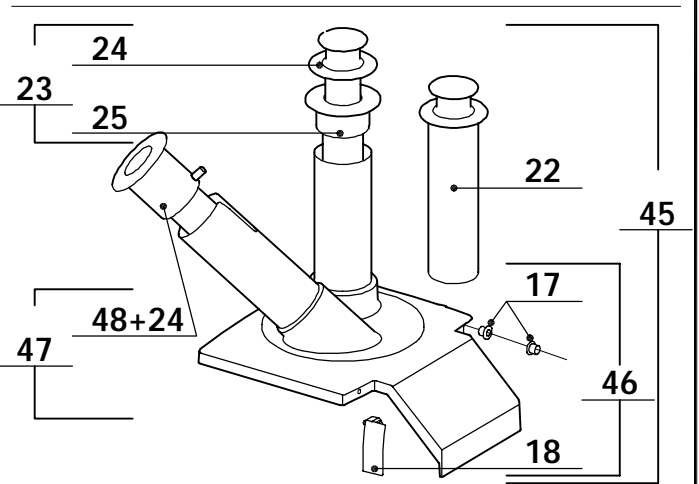
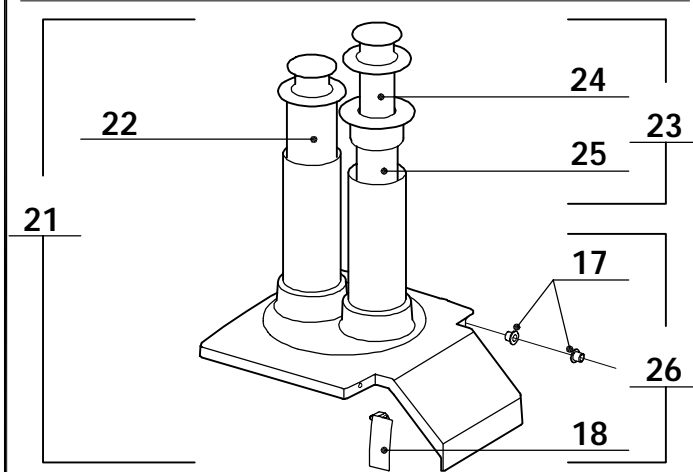
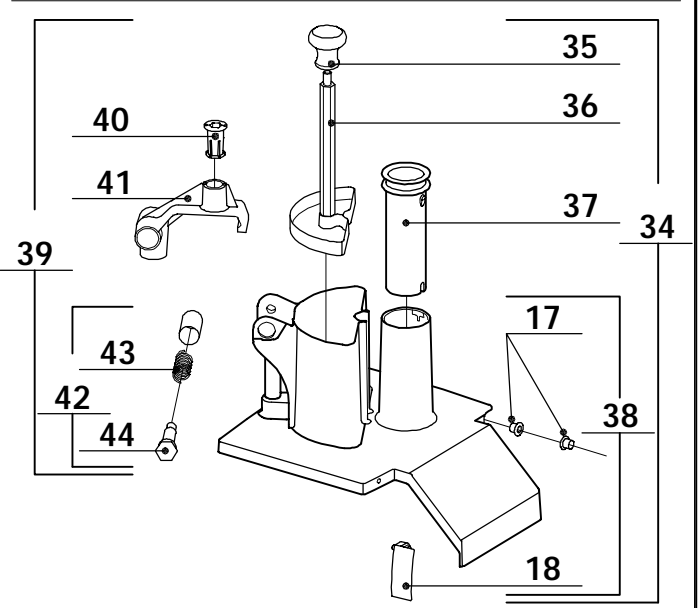
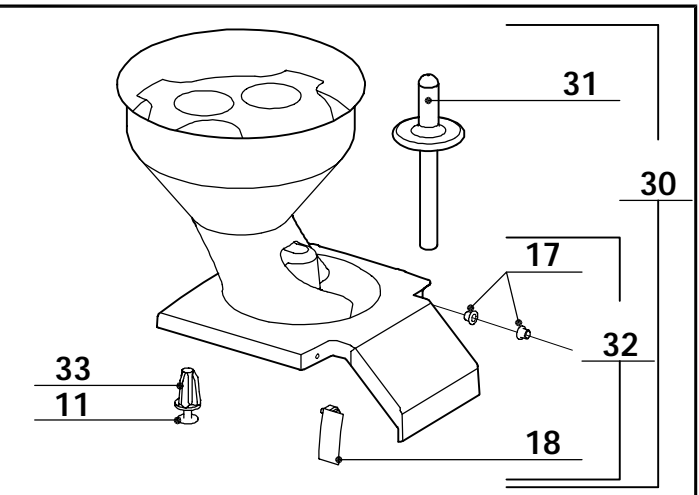
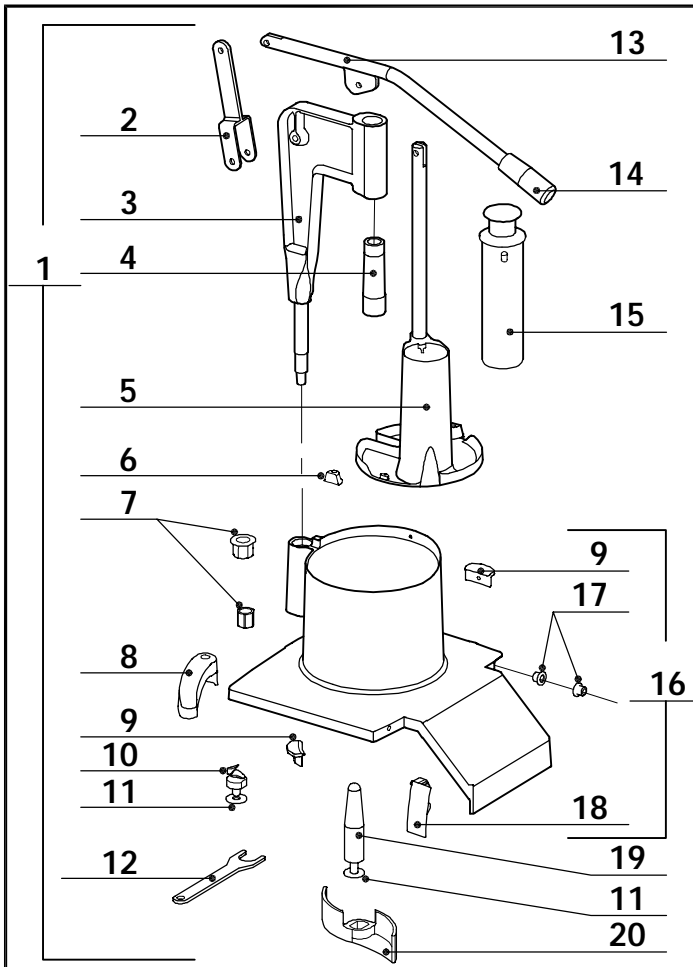
INDEX	REF.	DESIGNATION	Pricelist in : GBP
1	28102	AUTOMATIC FEED HEAD	See Price list
2	117821	PUSHER	Contact us
3	117777	AGITATOR	28,40
4	117200	WASHER	1,30
5	29501	(K)Lock for Feed Cover	Contact us
6	102690	(K)Discharge Plate	17,50
7	29061	LOCKING ROD ASS	14,20
8	29693	(M)Drive Shaft Assy	210,90
9	504219	(K) O Ring 42x2, CL50D	Contact us
10	39197	CL50D SEAL ASSEMBLY	Contact us
11	110308	MOTOR SHAFT PIN	4,10
12	118380	(M)Shaft Only	Contact us
13	203107	(K)Seal Protector	4,10
14	29630	(K)Bearing Assy, Lower	31,60
15	119145	CL55D Motor support brace	Contact us
16	117689	(K)Motor Support Plate	37,00
17	29532	(M)Motor Pulley-20 Teeth	Contact us
18	502768	CLAVETTE 4X4X16	Contact us
19	117791	(M)S.S. Base Cover	146,30
20	117687	(L)Bottom Cover	41,90
21	500247	GREY FOOT	2,80
22	29058	SHOULDERED RING ASS	8,70
23	29593	*(M)Bulk Feed Lead	Contact us
24	29451	(K)Magnetic Switch Assy	14,30
25	29628	(M)Upper Housing W/Chute	Contact us
26	29707	(M)Pusher Pivot Bushing	6,70
27	29705	(M)Magnet Safety Arm	31,40
28	118420	(Q) Discharge Vane CL60D	Contact us
29	39200	CL50D BOWL ASSEMBLY	Contact us
30	502170	(K)On Switch (Green)	16,40
31	502169	(K)Off Switch (Red)	16,40
32	406517	(M)Front Data Plate	Contact us
33	117703	PCB LOCKING KEY	1,00
34	29533	(K)Mount Spacer for Control Board	15,80
35	28103	* (M) Whole Head Feed Pusher Assy	See Price list
36	29710	(M)Pusher Lever	Contact us
37	103205	(M)Pusher Lever Yoke	59,20
38	509200	(Q) Plastic Handle, CL60D	Contact us
39	29704	(M)Pusher Support Assy	210,90
40	118331	(M)Pusher Slide Bushing	2,80
41	118397	(M)Small Pusher	Contact us
42	29709	(M)Large Pusher	Contact us
43	29706	(M)Pusher Stop Assy	10,10
44	29708	(M)Feed Lead W/O Pusher	264,00
45	117321	(M)Pusher Guide Bushing	1,80
46	29692	(M)Cabbage Plate Lock Nut	73,10
47	29156	FEEDING CONE ASS	81,60
48	118436	(M)Lock Nut Wrench	11,60
49	39199	CL55D RECEIPT SHAFT ASSY	Contact us
50	101547	CL50D DEFLECTOR	Contact us
51	501678	25X42X7 FPM Seal ring	Contact us
52	104295	DRIVING FRAME ASSEMBLY	Contact us
53	515482	BELT	Contact us

robot coupe

CL 55 D Auto

Pricelist in : GBP

N°	M	Voltage	A	B	C	D	X	Y	
2750 UK	303082 268,20	240 / 50 / 1	102480 101,80	507029 Contact us	29599 9,40	---	508211 Contact us	514030 41,90	
2758 UK	303082 268,20	240 / 50 / 1	102480 101,80	507029 Contact us	29599 9,40	---	508211 Contact us	514030 41,90	
2754	303083 268,20	400 / 50 / 3	102479 104,90	515570 Contact us	29600 Contact us	---	---	---	
2762	303083 268,20	400 / 50 / 3	102479 104,90	515570 Contact us	29600 Contact us	---	---	---	



INDEX	REF.	DESIGNATION	Pricelist in : GBP
1	28103	* (M) Whole Head Feed Pusher Assy	See Price list
2	103205	(M)Pusher Lever Yoke	59,20
3	118329	SUPPORT LEVIER CL55D	Contact us
4	118331	(M)Pusher Slide Bushing	2,80
5	29709	(M)Large Pusher	Contact us
6	29706	(M)Pusher Stop Assy	10,10
7	29707	(M)Pusher Pivot Bushing	6,70
8	29705	(M)Magnet Safety Arm	31,40
9	117321	(M)Pusher Guide Bushing	1,80
10	29692	(M)Cabbage Plate Lock Nut	73,10
11	117200	WASHER	1,30
12	118436	(M)Lock Nut Wrench	11,60
13	29710	(M)Pusher Lever	Contact us
14	509200	(Q) Plastic Handle, CL60D	Contact us
15	118397	(M)Small Pusher	Contact us
16	29708	(M)Feed Lead W/O Pusher	264,00
17	29058	SHOULDERED RING ASS	8,70
18	29501	(K)Lock for Feed Cover	Contact us
19	29156	FEEDING CONE ASS	81,60
20	118420	(Q) Discharge Vane CL60D	Contact us
21	28154	STRAIGHT TUBE F.HEAD CL55	759,00
22	101538	PUSHER D70	Contact us
23	39090	STRAIGHT INSERT D50 ASSY	Contact us
24	101539	PUSHER D50	Contact us
25	101535	STRAIGHT INSER D50	Contact us
26	39092	STRAIGHT TUBE LID ASSY	Contact us
27	27023	CL55 TROLLEY	402,00
28	504266	CL55D BRAKE ROLLER D60	Contact us
29	504268	CL55D BUFFER 25X25	Contact us
30	28102	AUTOMATIC FEED HEAD	See Price list
31	117821	PUSHER	Contact us
32	29593	*(M)Bulk Feed Lead	Contact us
33	117777	AGITATOR	28,40
34	28142	CL50D FEED HEAD	742,00
35	102021	HANDLE KNOB CL30/R302	2,70
36	29060	VEGETABLE PUSHER ASS	76,10
37	118324	(L)Small Pusher	15,00
38	118376	(D)Cont Feed Lead w/Extra Safety	Contact us
39	29738	(K)Bracket-Pusher Return	97,50
40	100638	CL50 PUSHER GUIDE RING	4,00
41	39097	PUSHER GUIDE ASSEMBLY	Contact us
42	39098	JAW SHAFT ASSEMBLY	Contact us
43	100556	Description NA	5,30
44	118374	(K)Pivot, Pusher Return Bracket	Contact us
45	28155	CL55 TILTED FEED HEAD	See Price list
46	39093	TILTED TUBE LID ASSY	Contact us
47	39091	TILTED INSERT D50 ASSY	Contact us
48	101537	TILTED INSER D50	Contact us
49	27154	*(M)Catch Pan Assy	See Price list
50	117631	(M)Catch Pan Tray Only	Contact us