

F 45

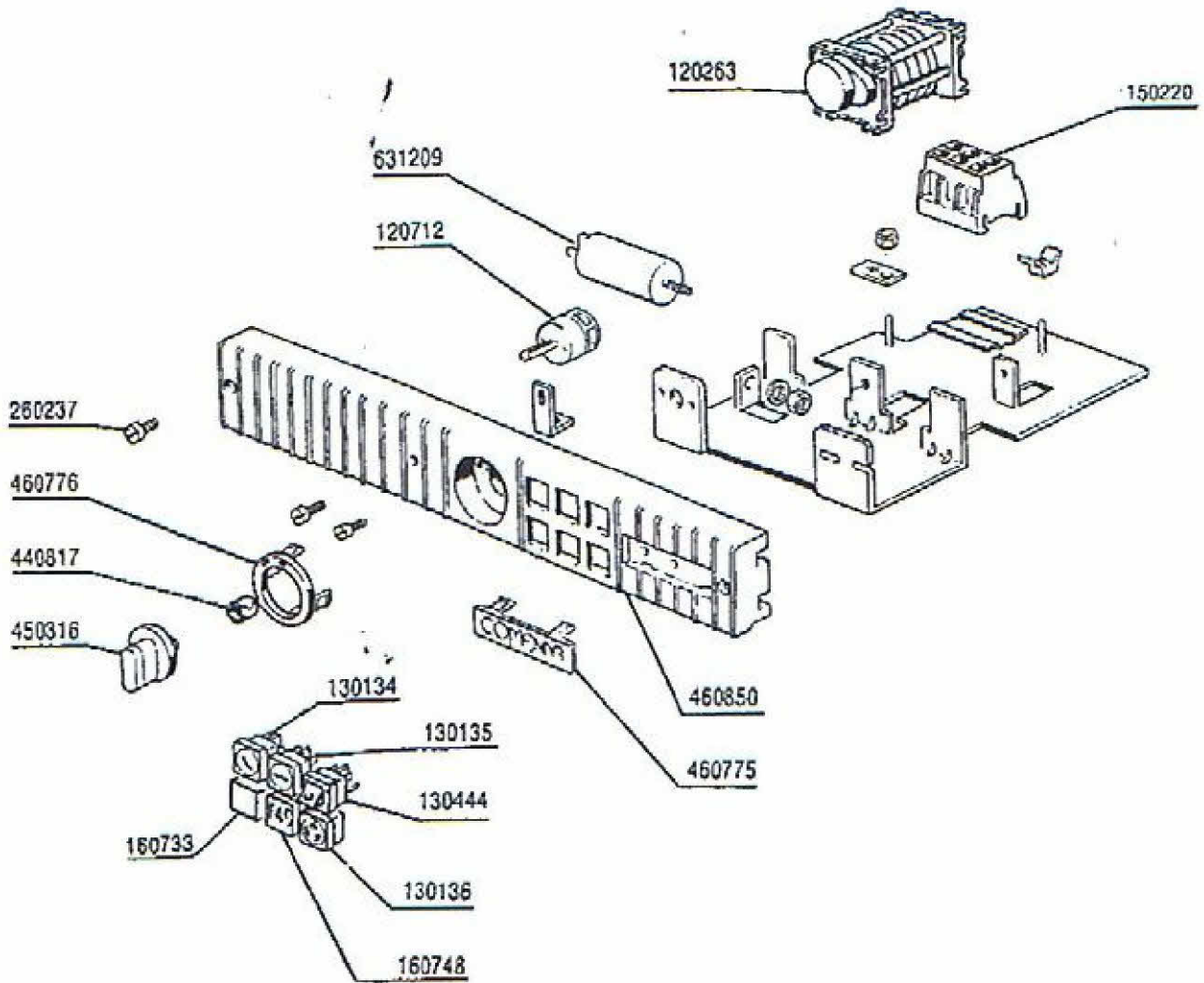
F 55

F 65

F 80

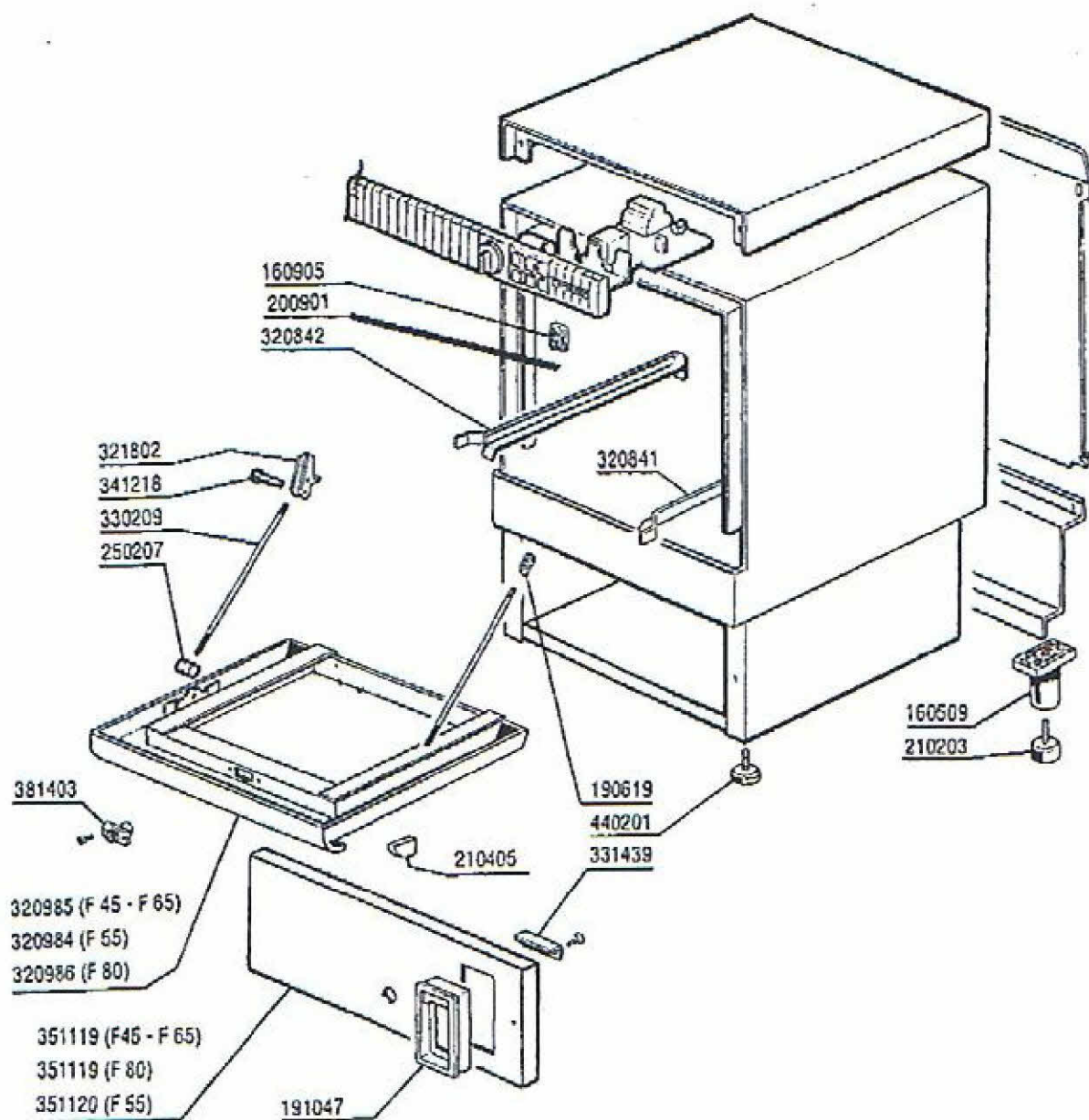
**PARTI DI RICAMBIO
PIECES DETACHEES
SPARE PARTS
ERSATZTEILE
LISTA DE RECAMBIOS**

F45
Control Box F45

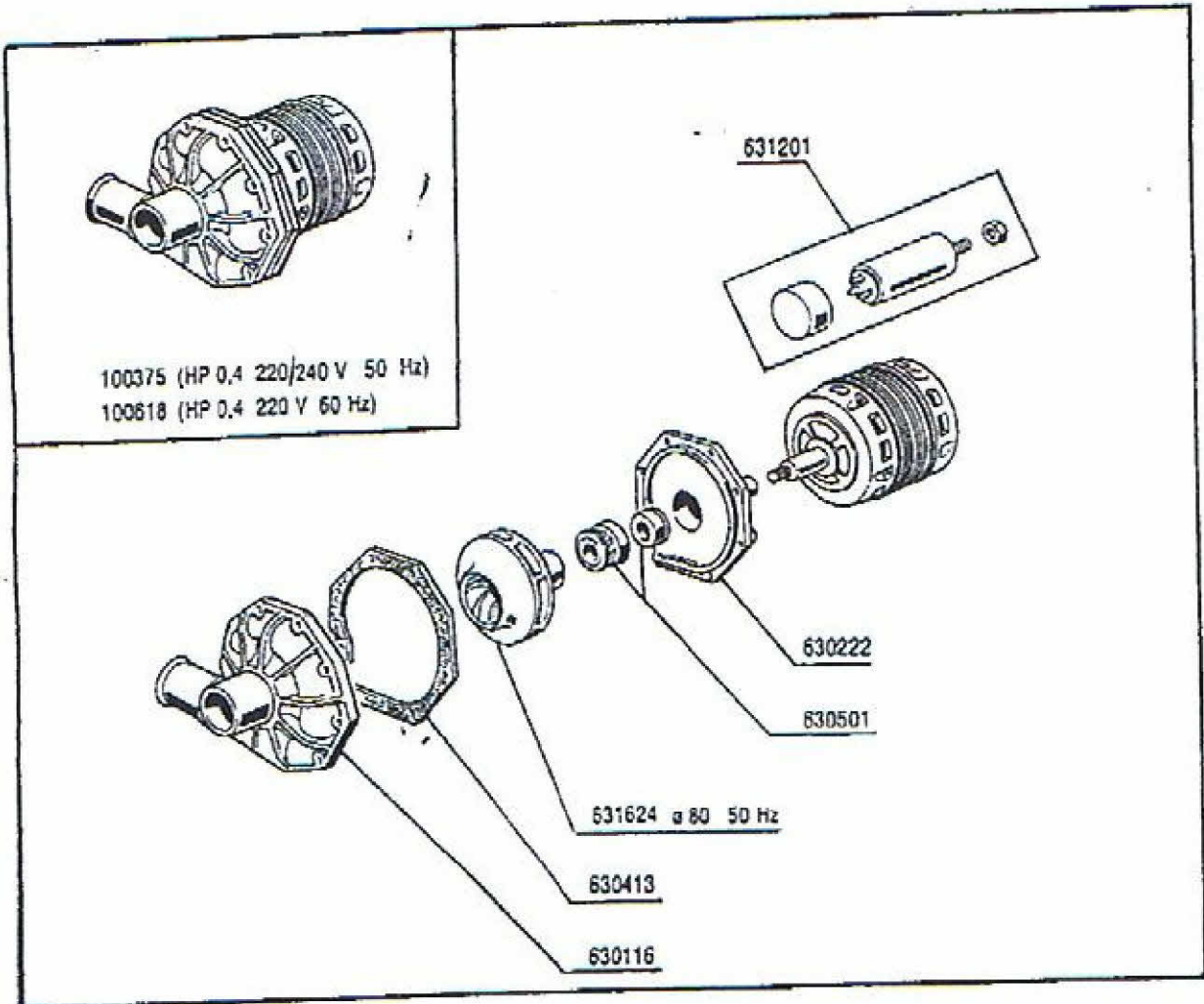


F45

Hood

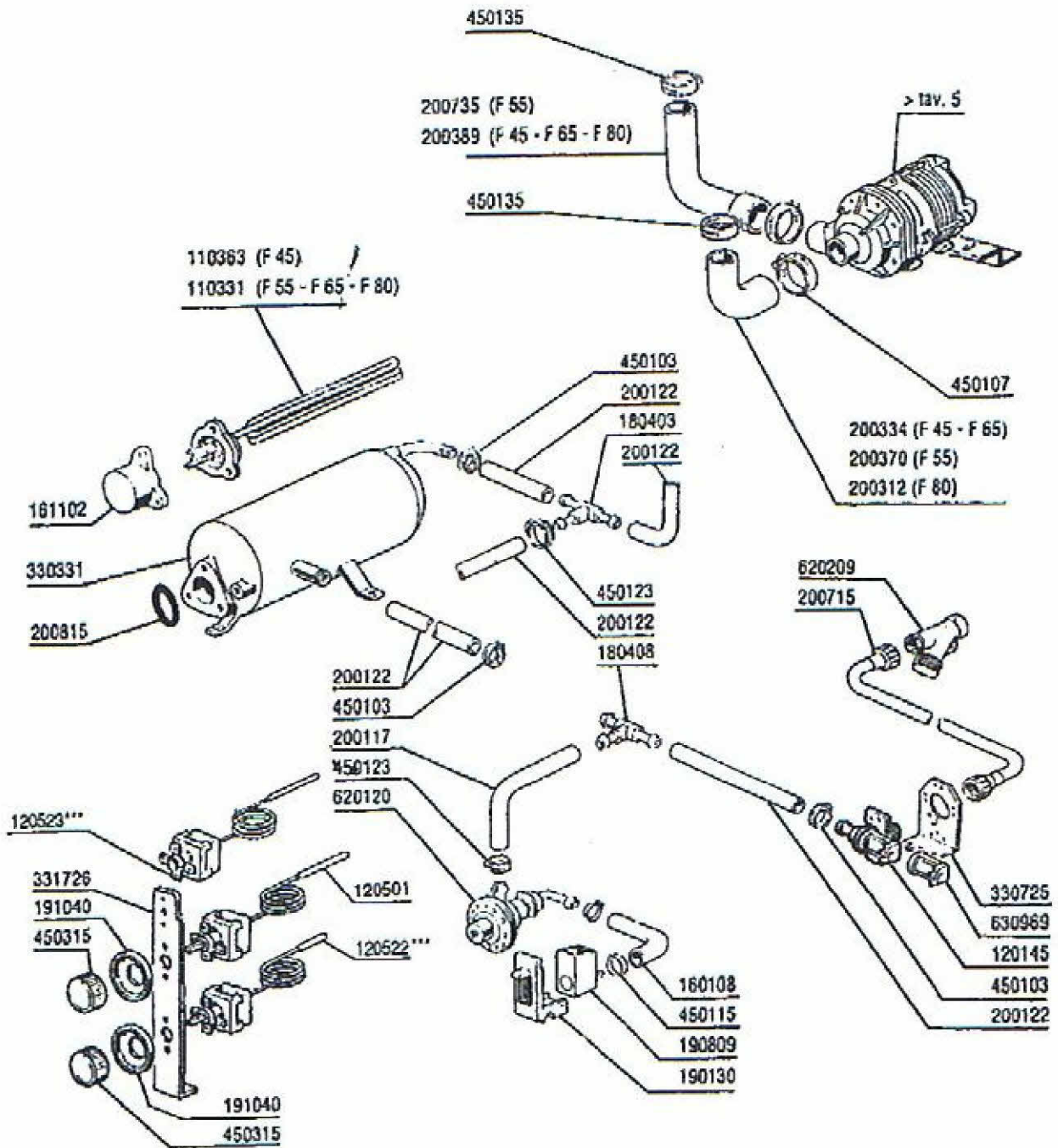


F45
Pump



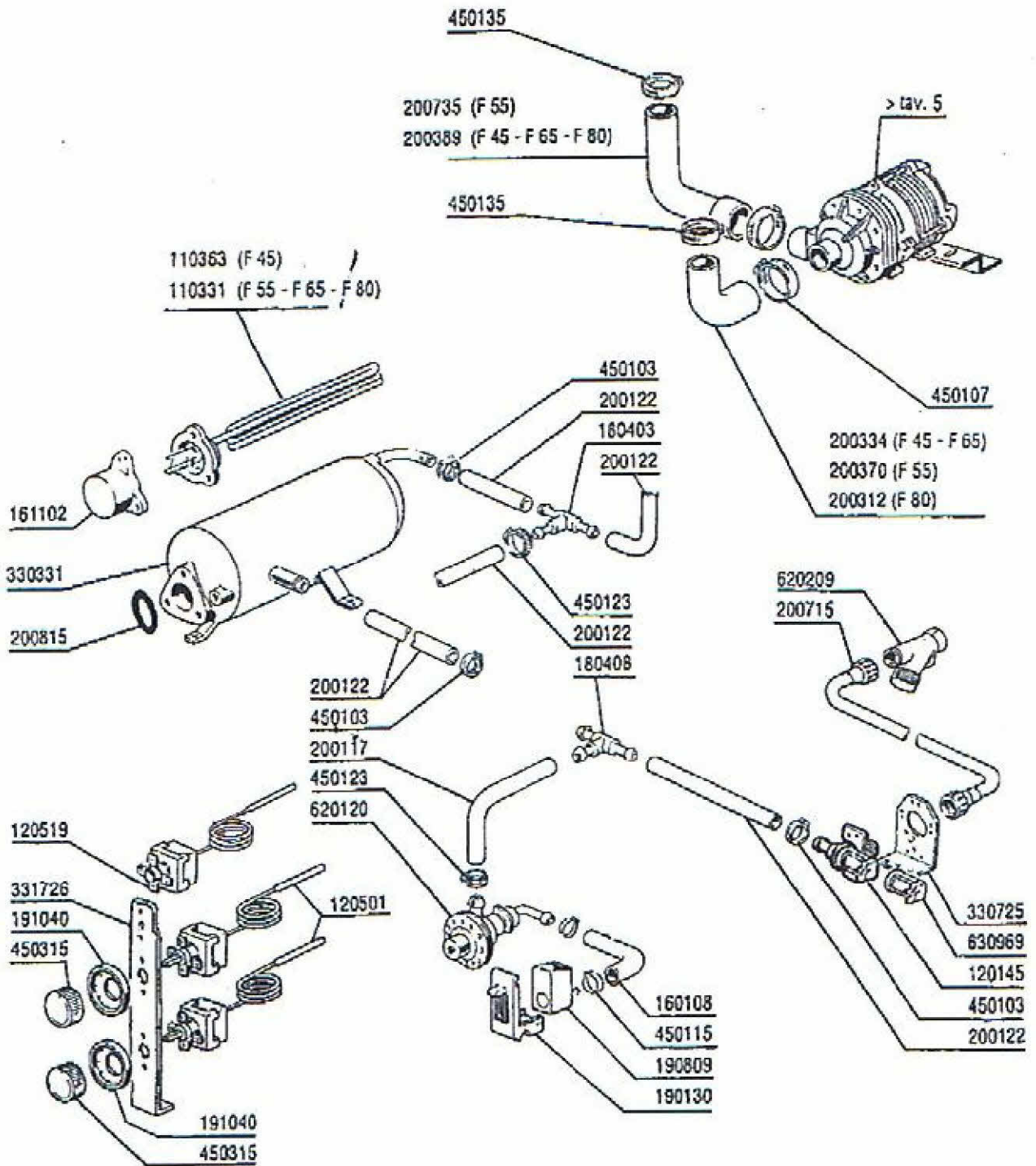
F45

Rinse assembly

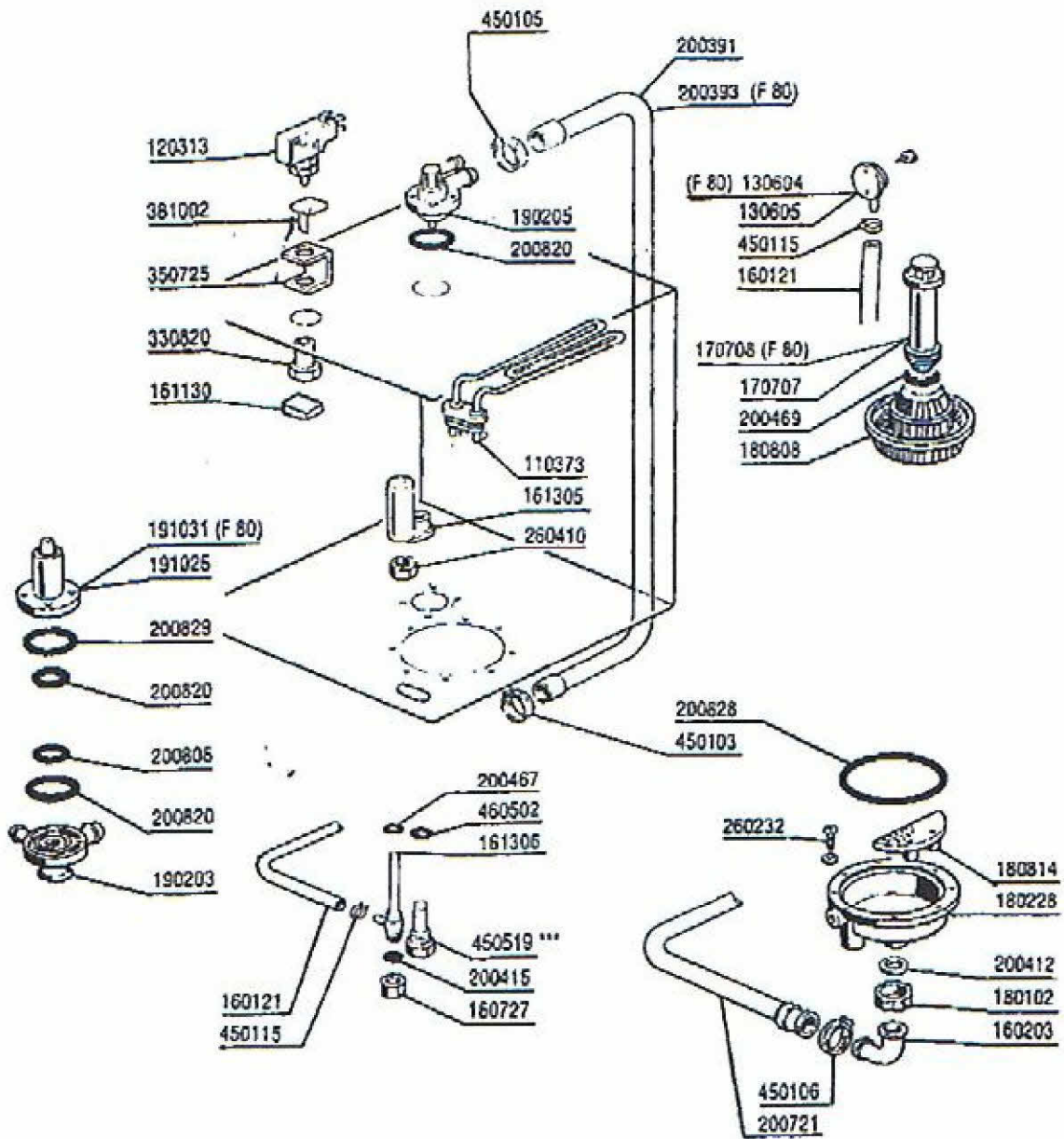


F45

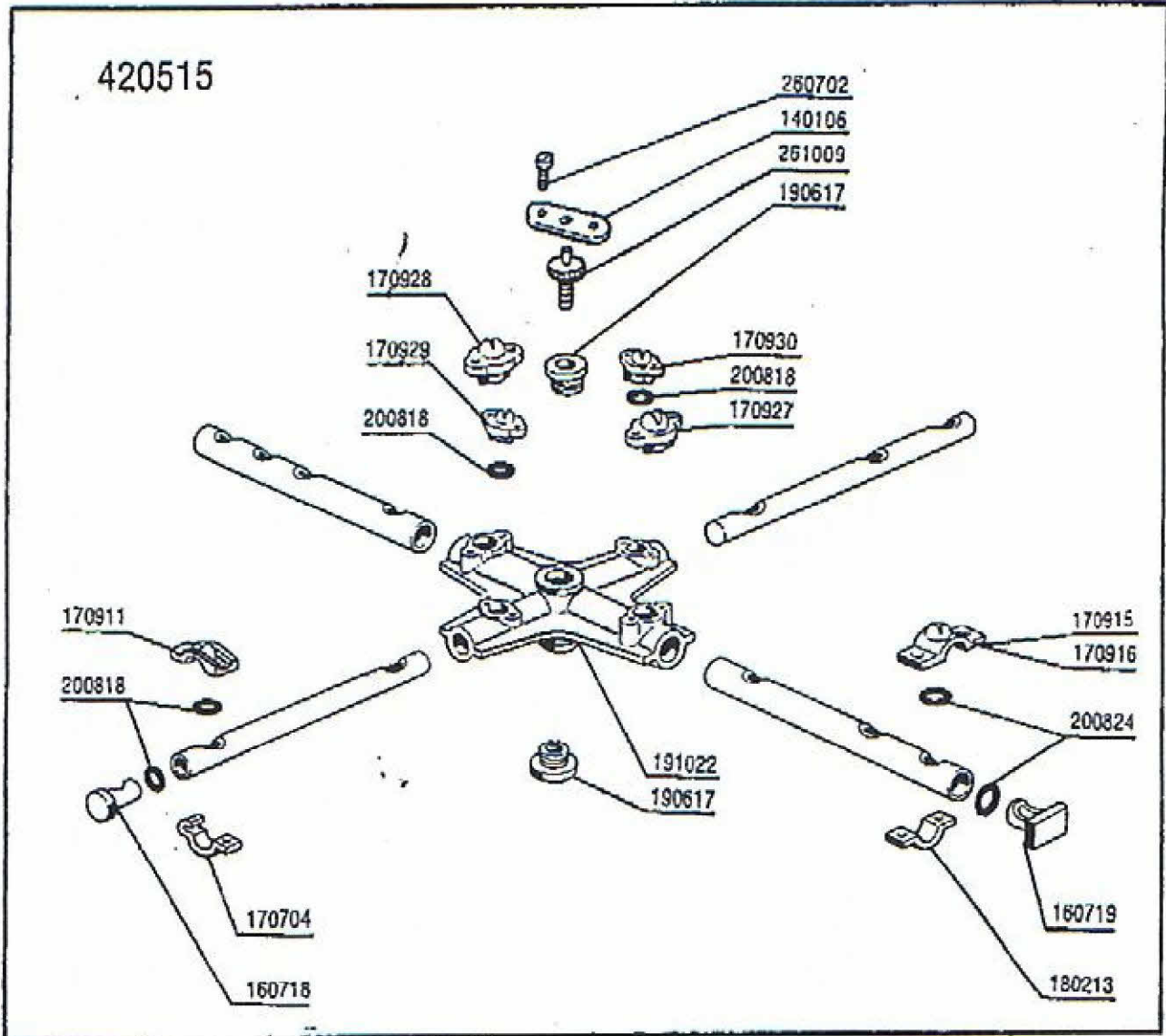
Rinse assembly



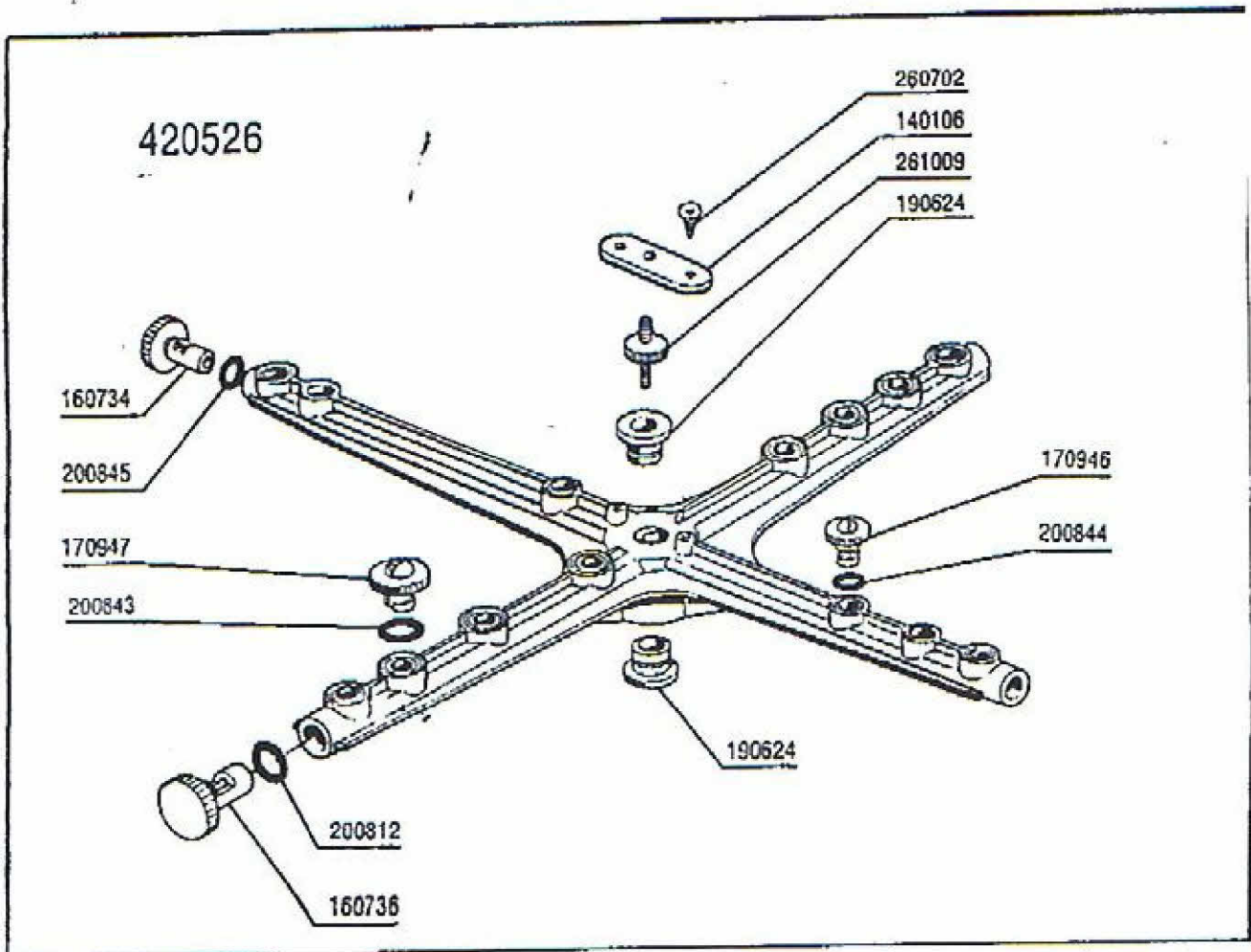
F45
Wash



F45
Wash arm



F45
Wash arm



F45

Wash

