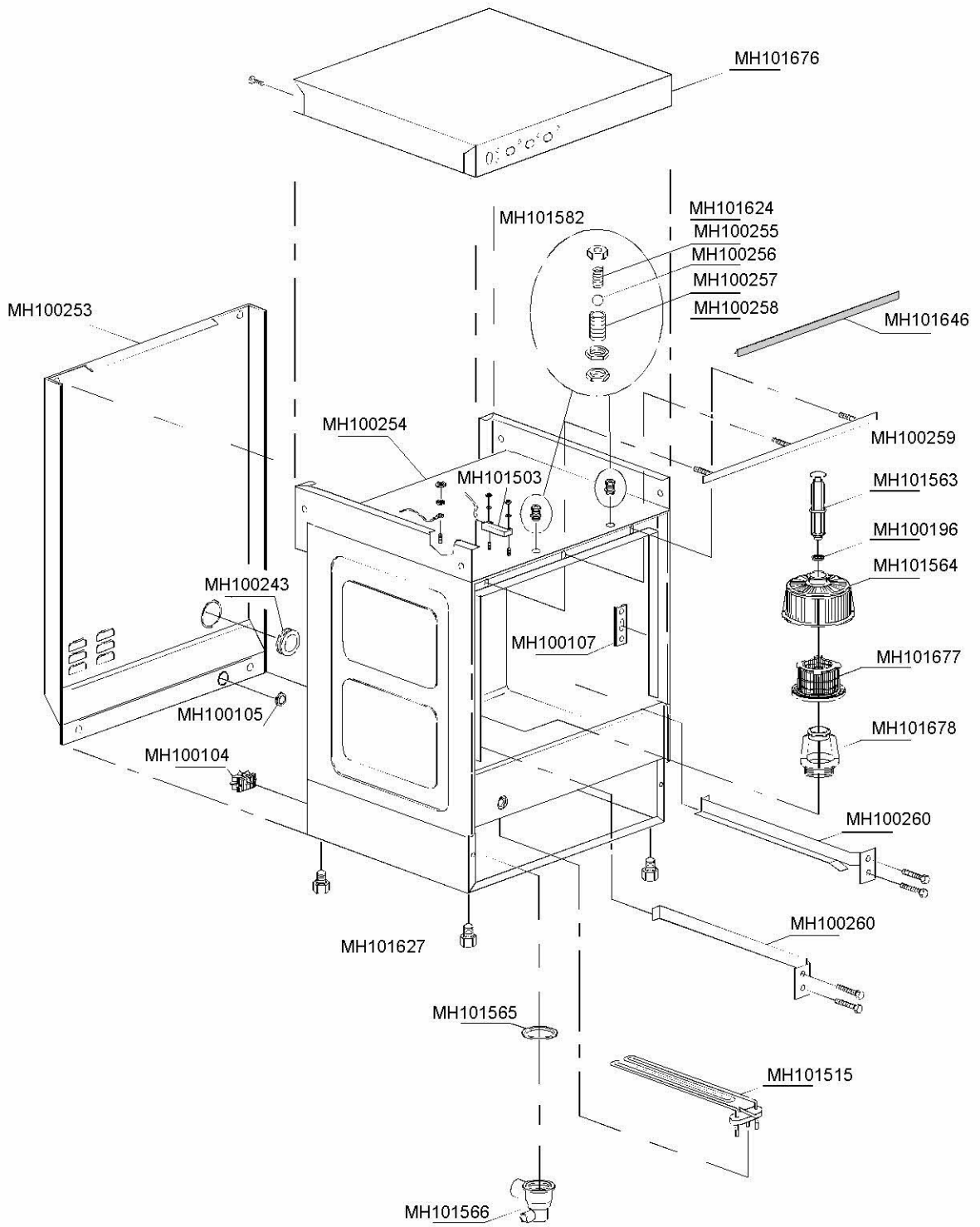


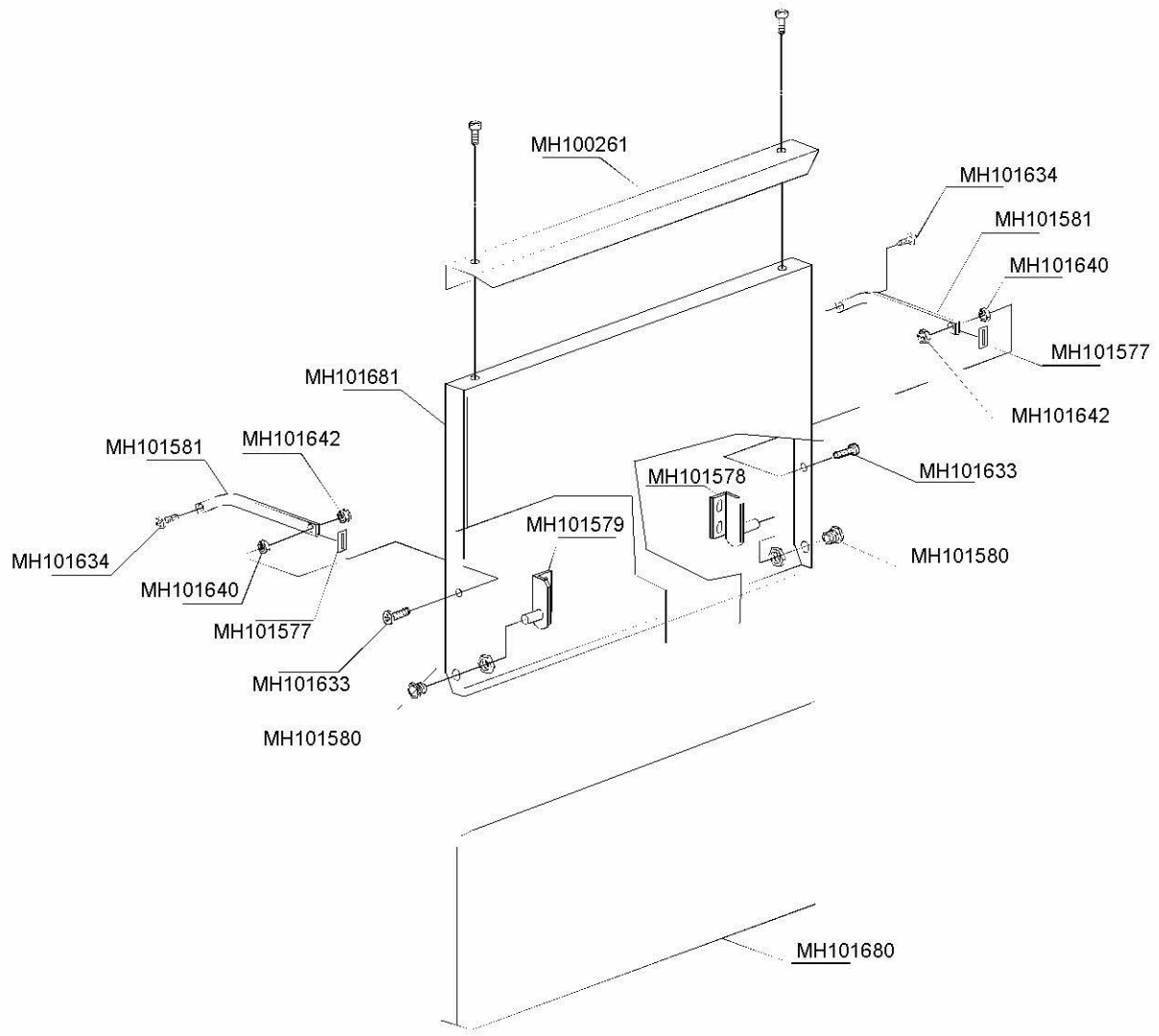
Halcyon

Models

Halcyon 25 and 51BT

Parts diagrams



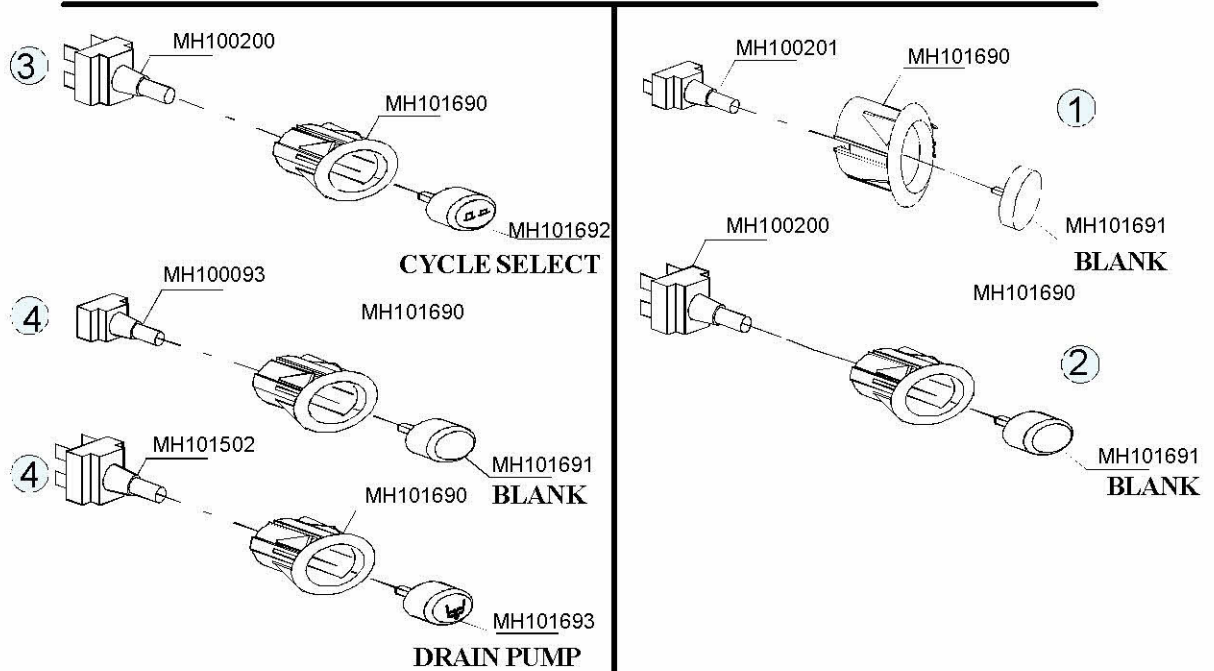
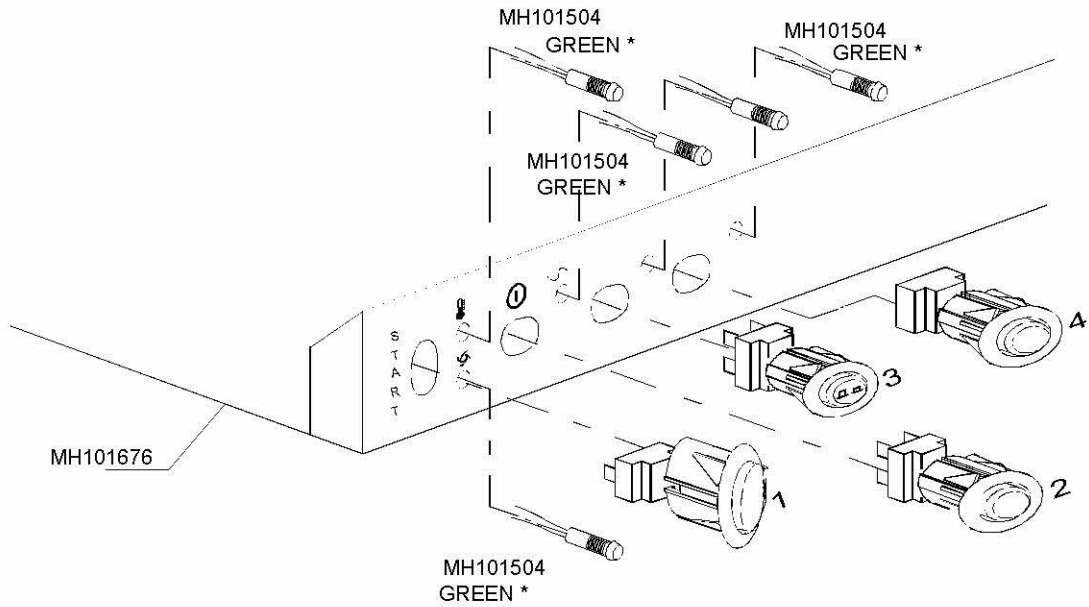


* NOTE From November 2006

Lamps maybe 2 part CLEAR

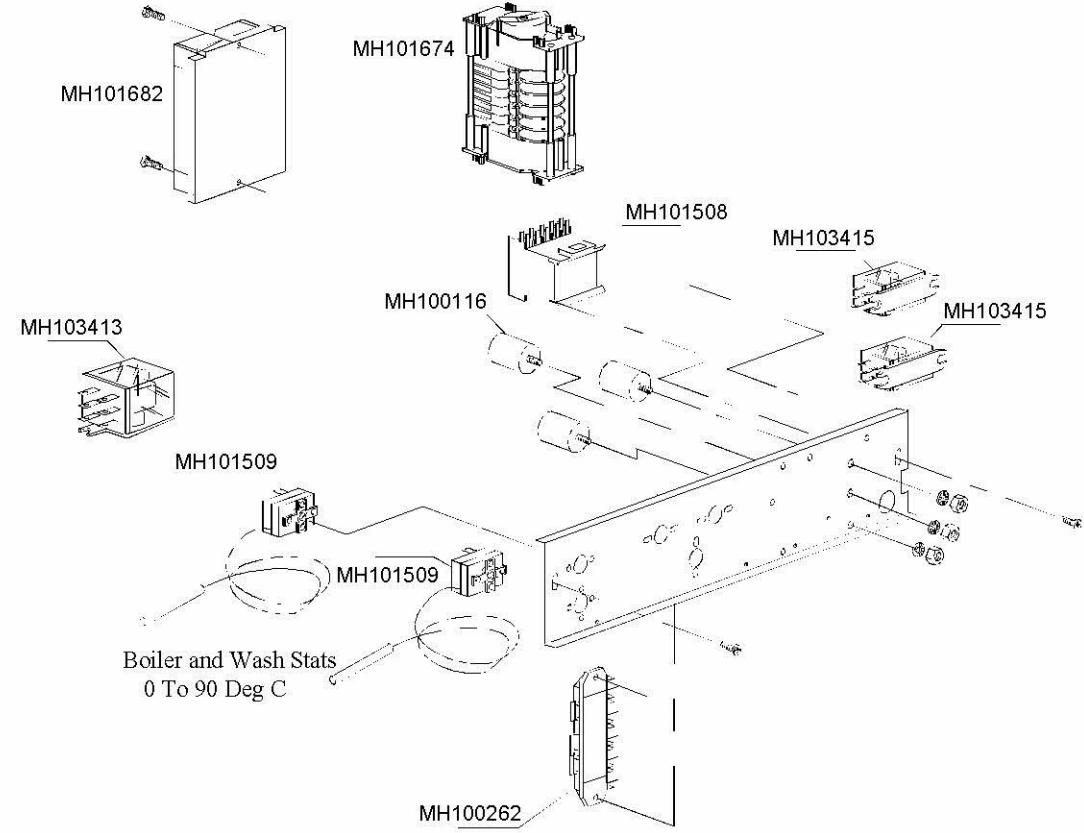
1 Lamp Holder MH100300

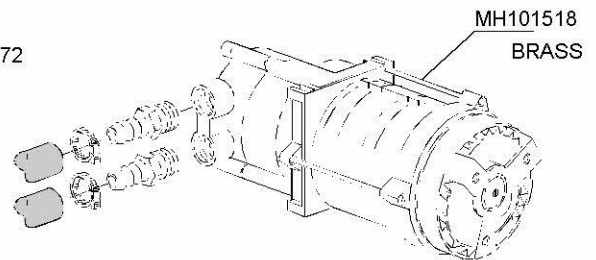
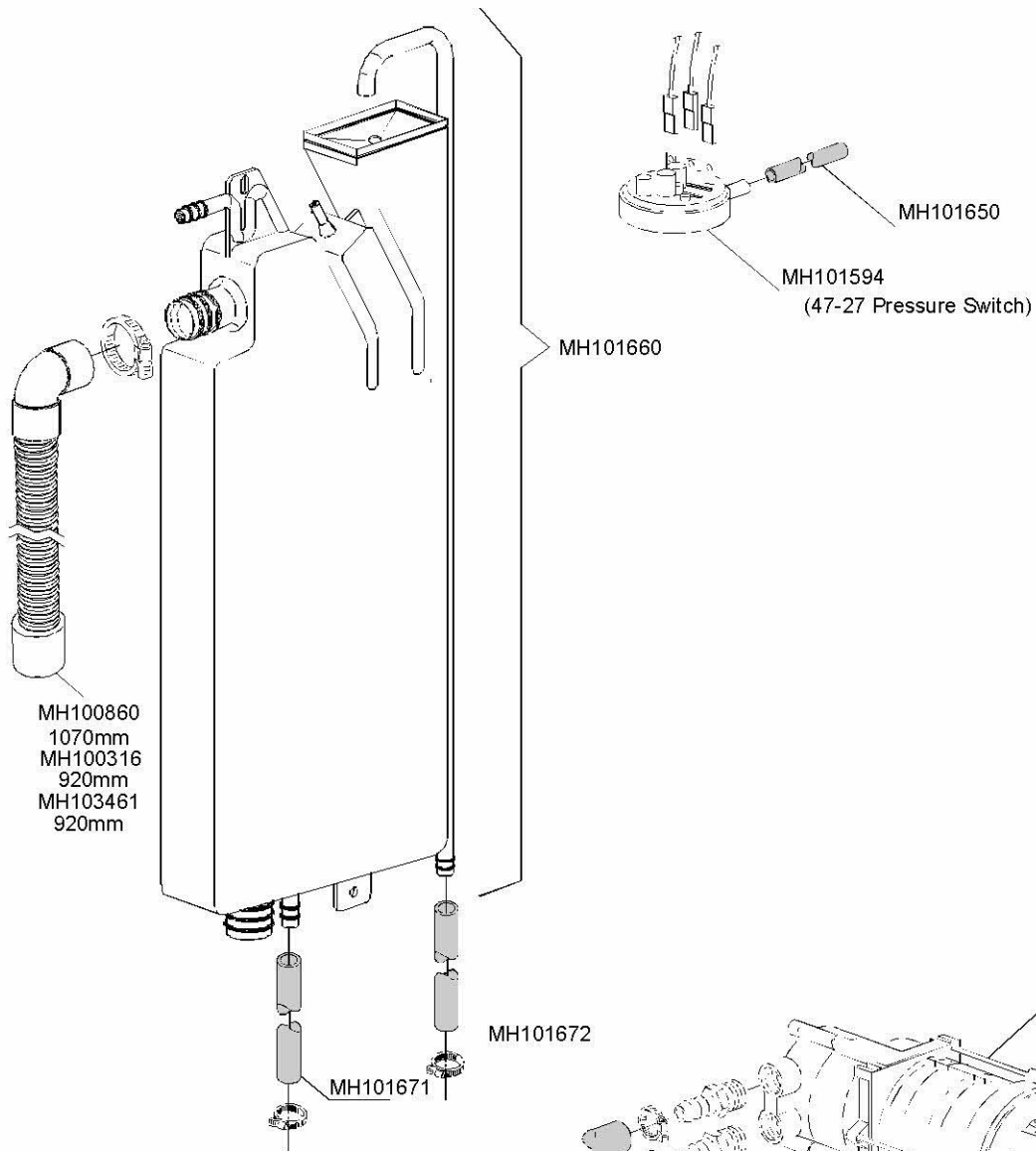
2 Lamp clear MH100301



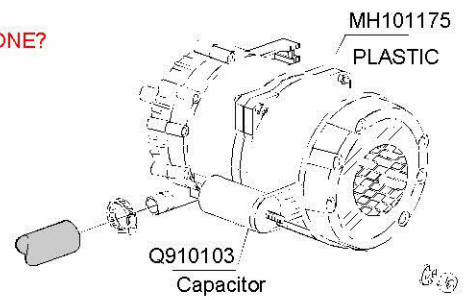
DRAIN PUMP MODEL TIMER

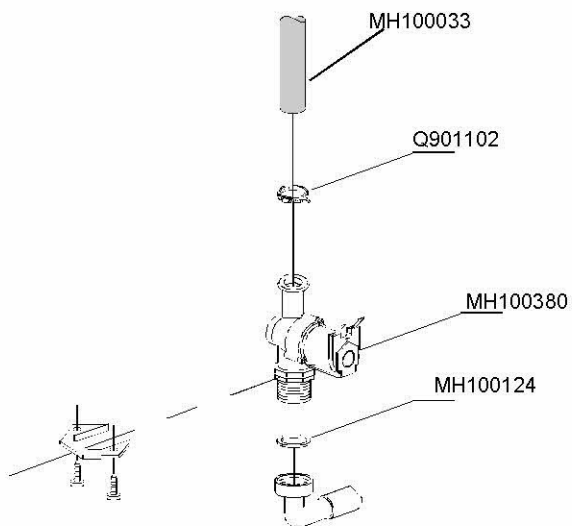
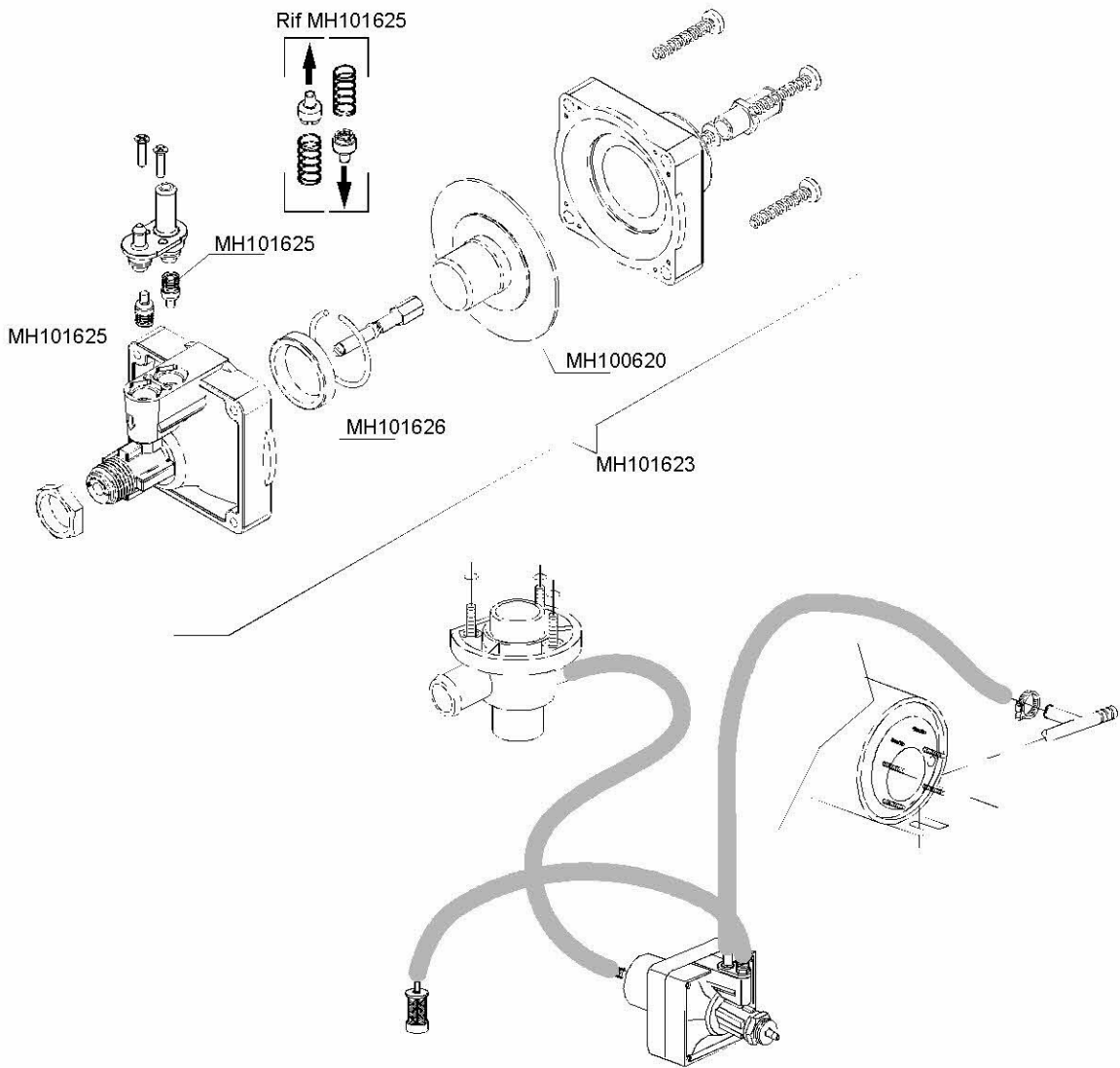
GRAVITY DRAIN MODEL TIMER

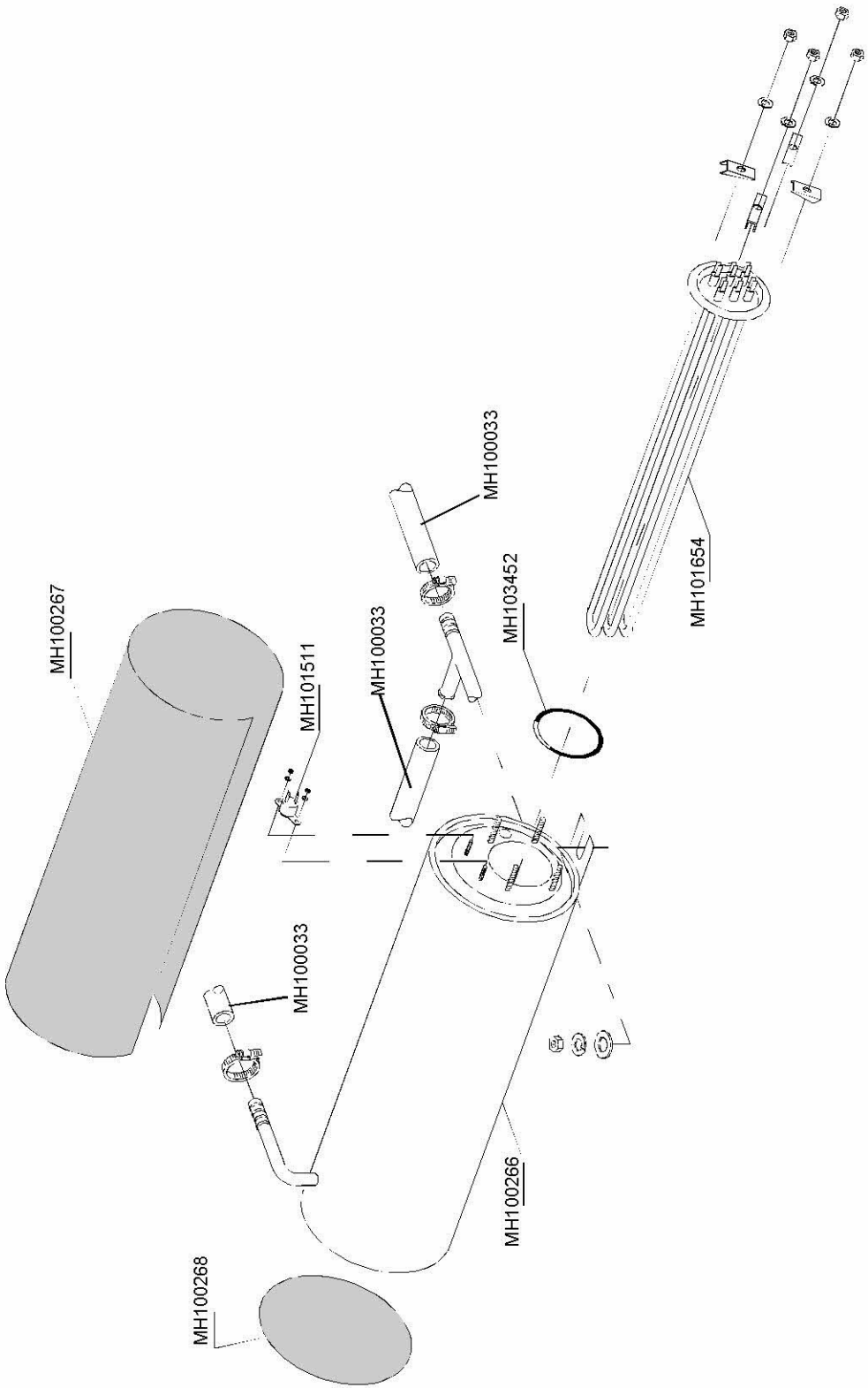


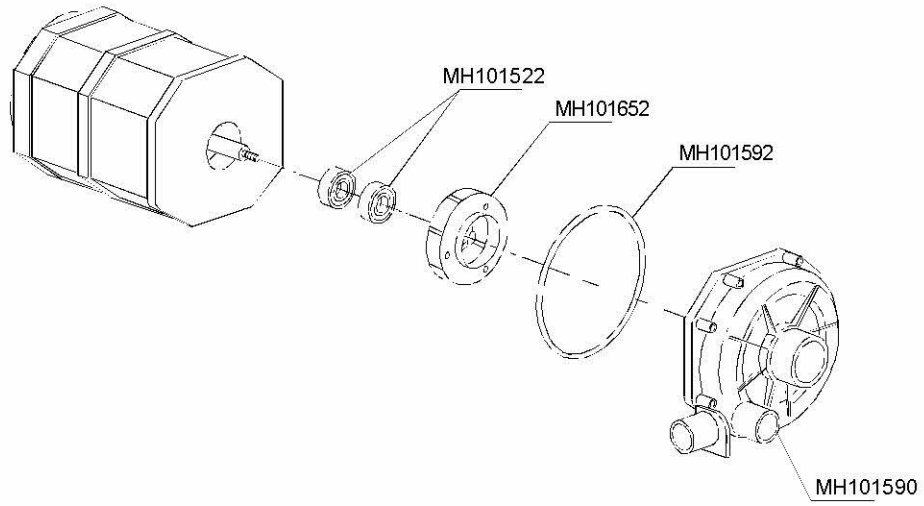
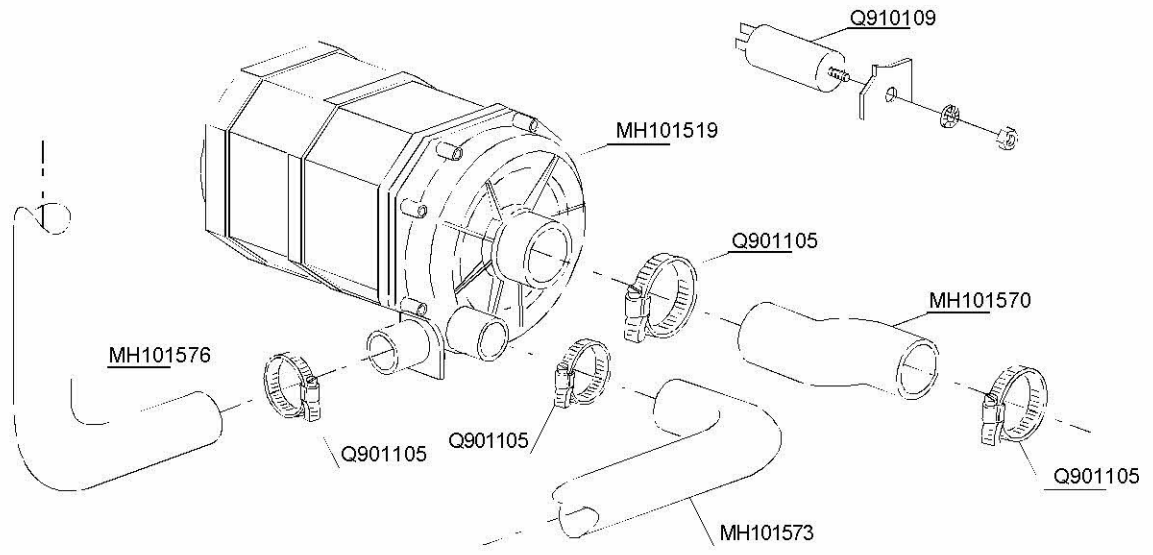


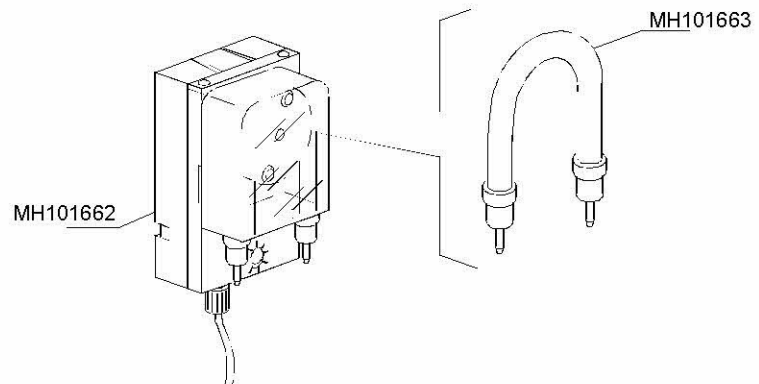
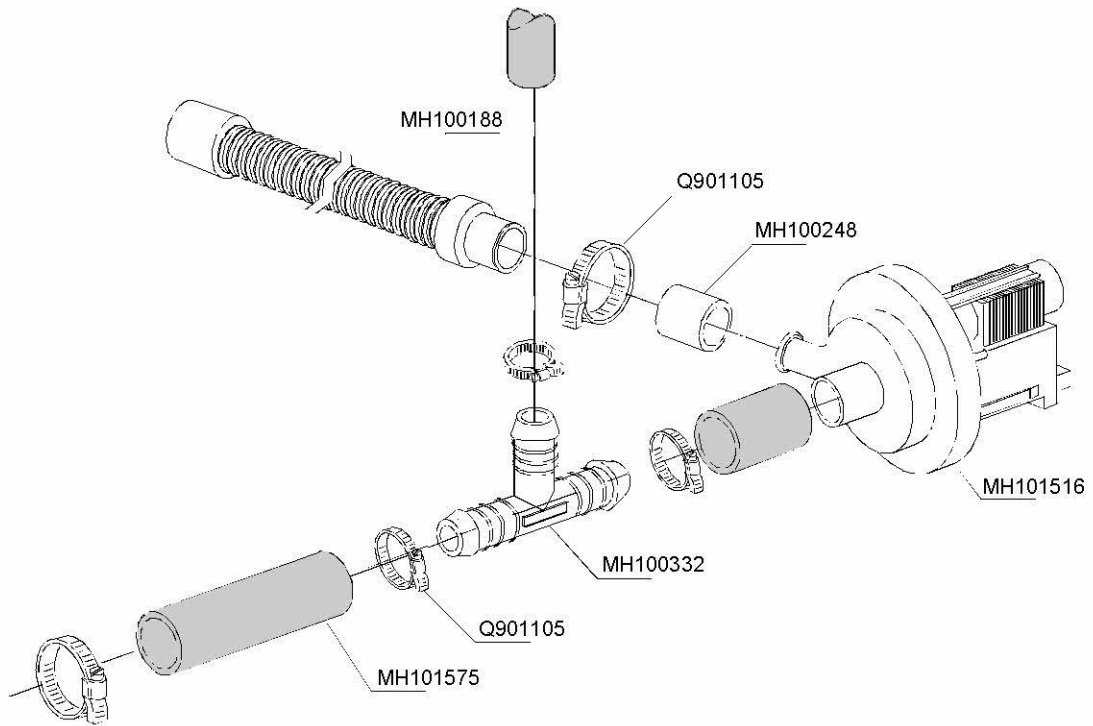
ASK CUSTOMER WHICH ONE?

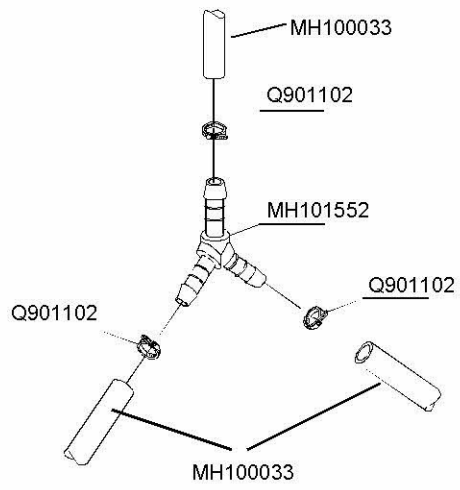
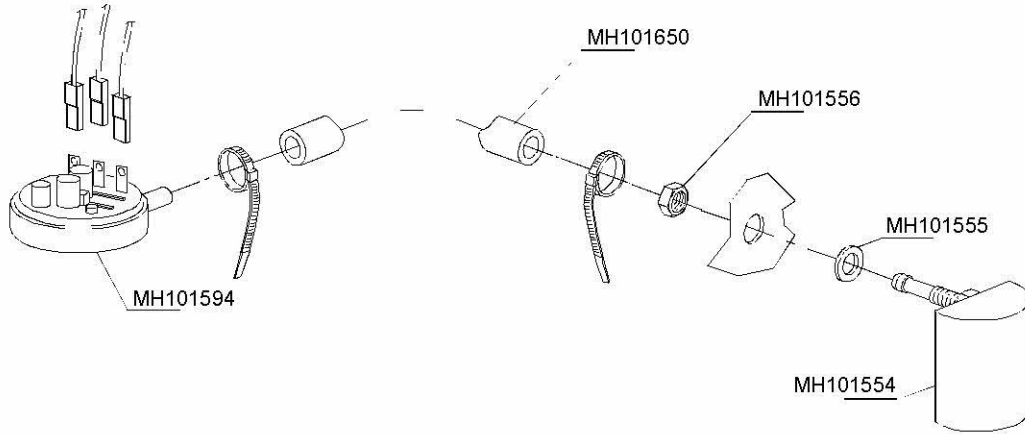




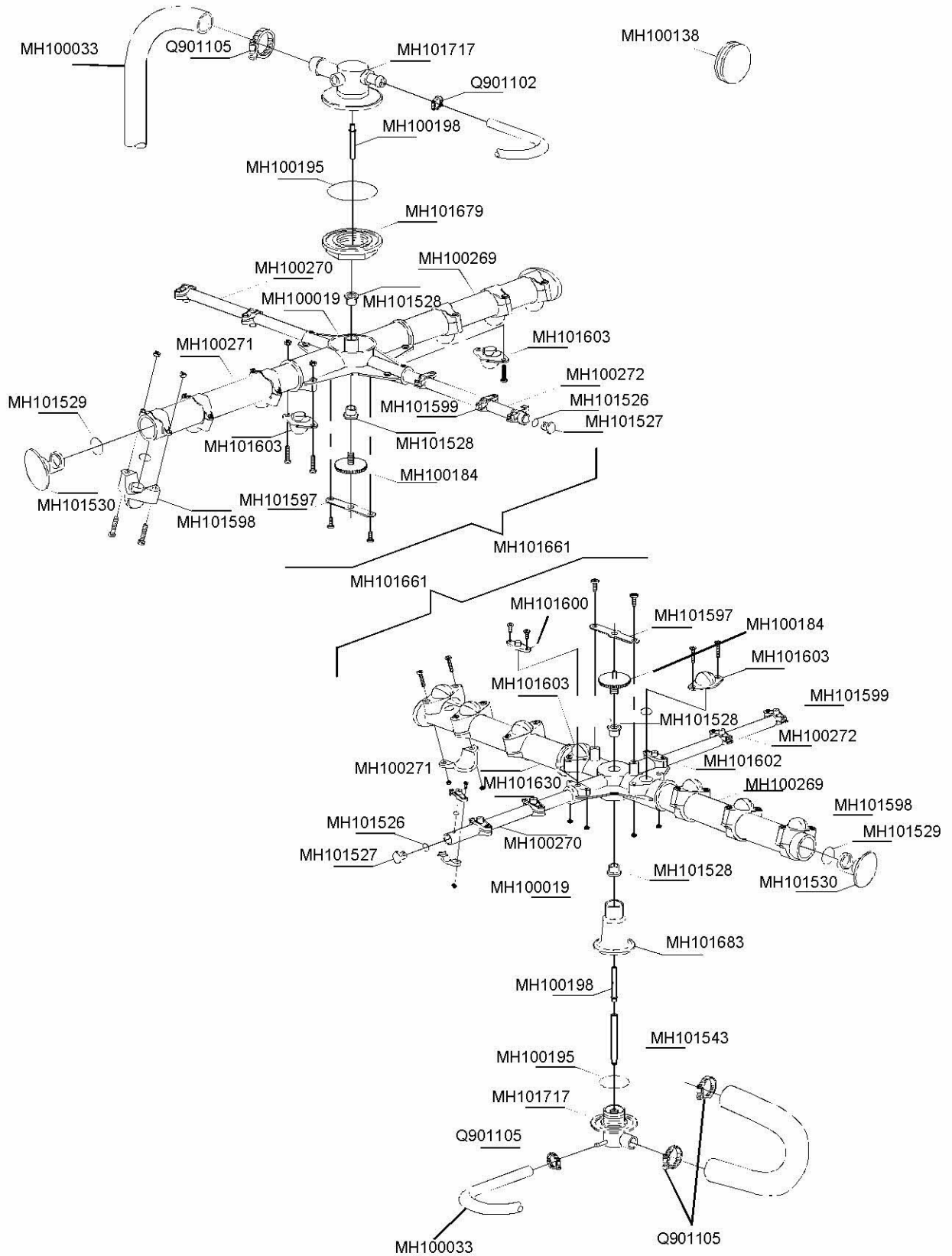




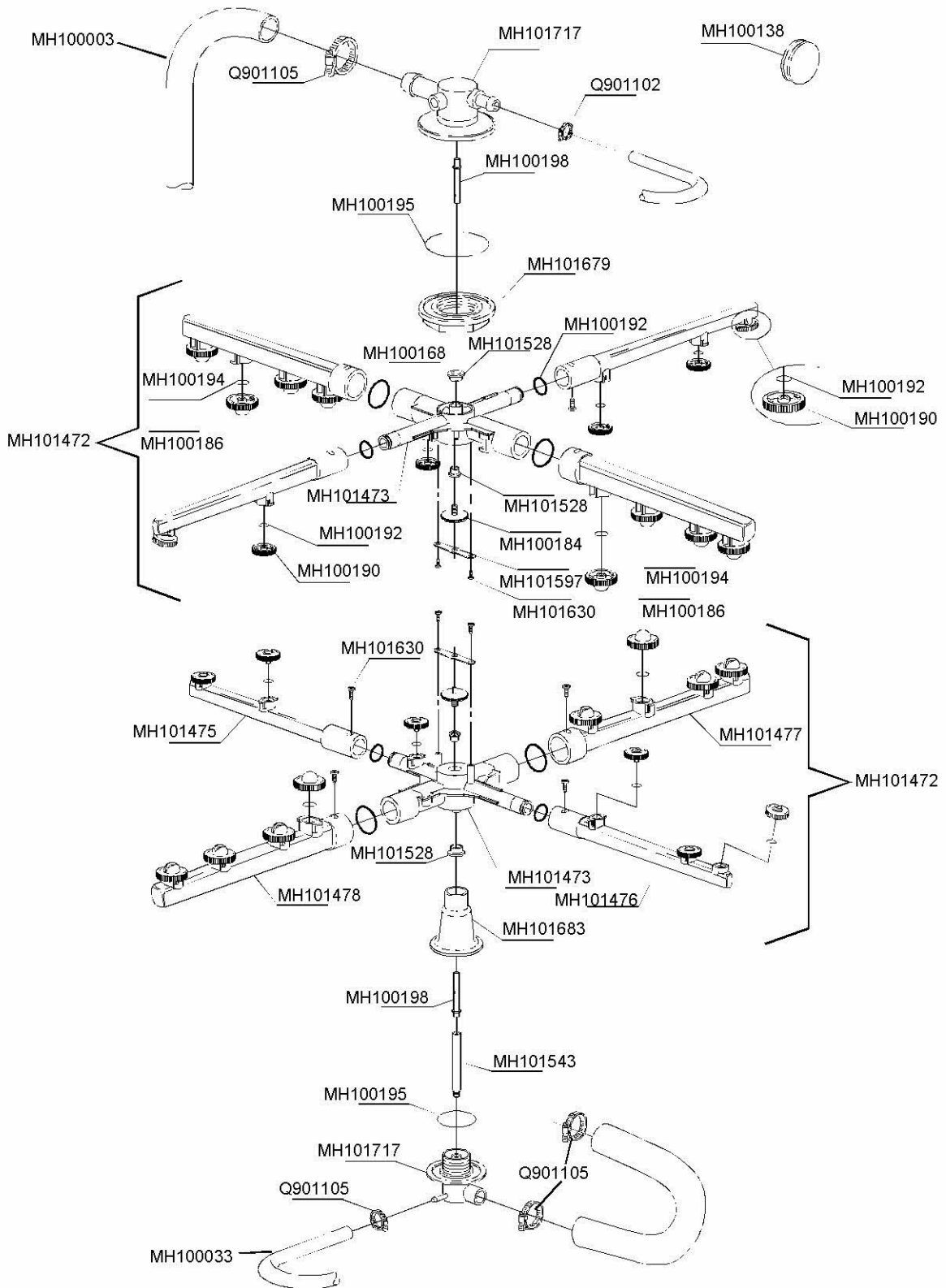




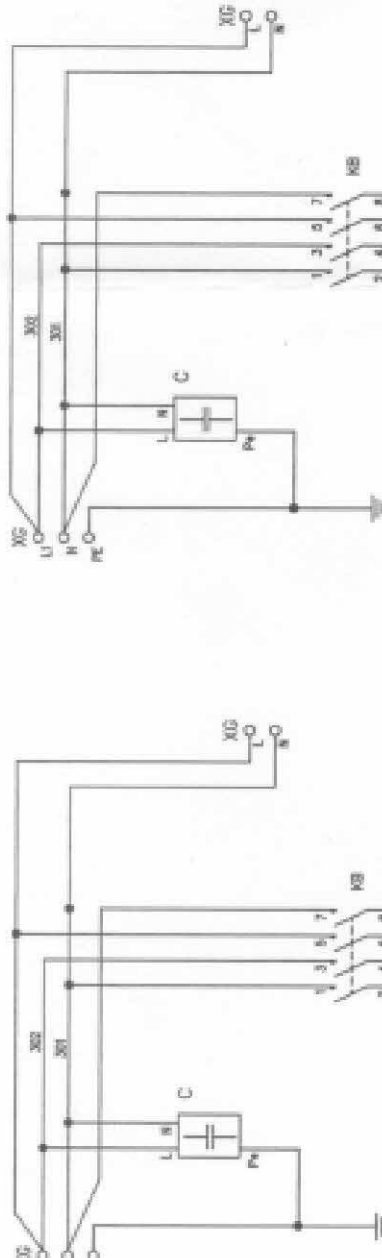
ALTERNATIVE WASH / RINSE



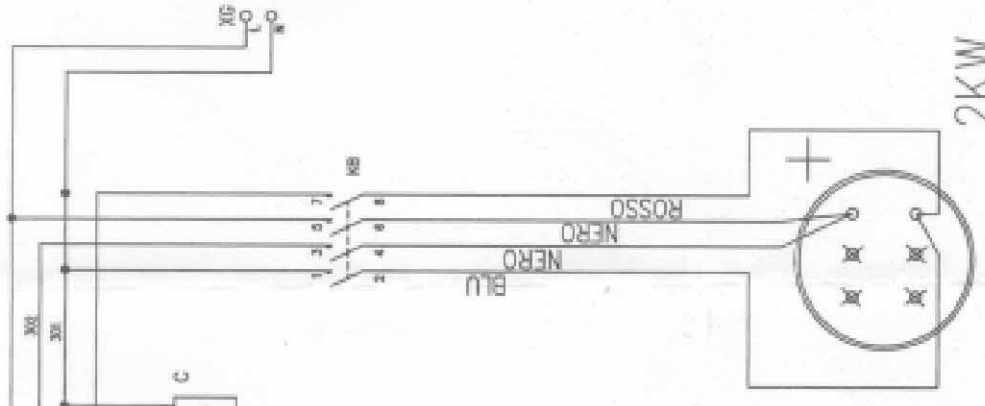
ALTERNATIVE WASH / RINSE



00 01 02 03 04 05 06 07 08 09 10 11 12 13 14 15 16 17 18 19



4KW



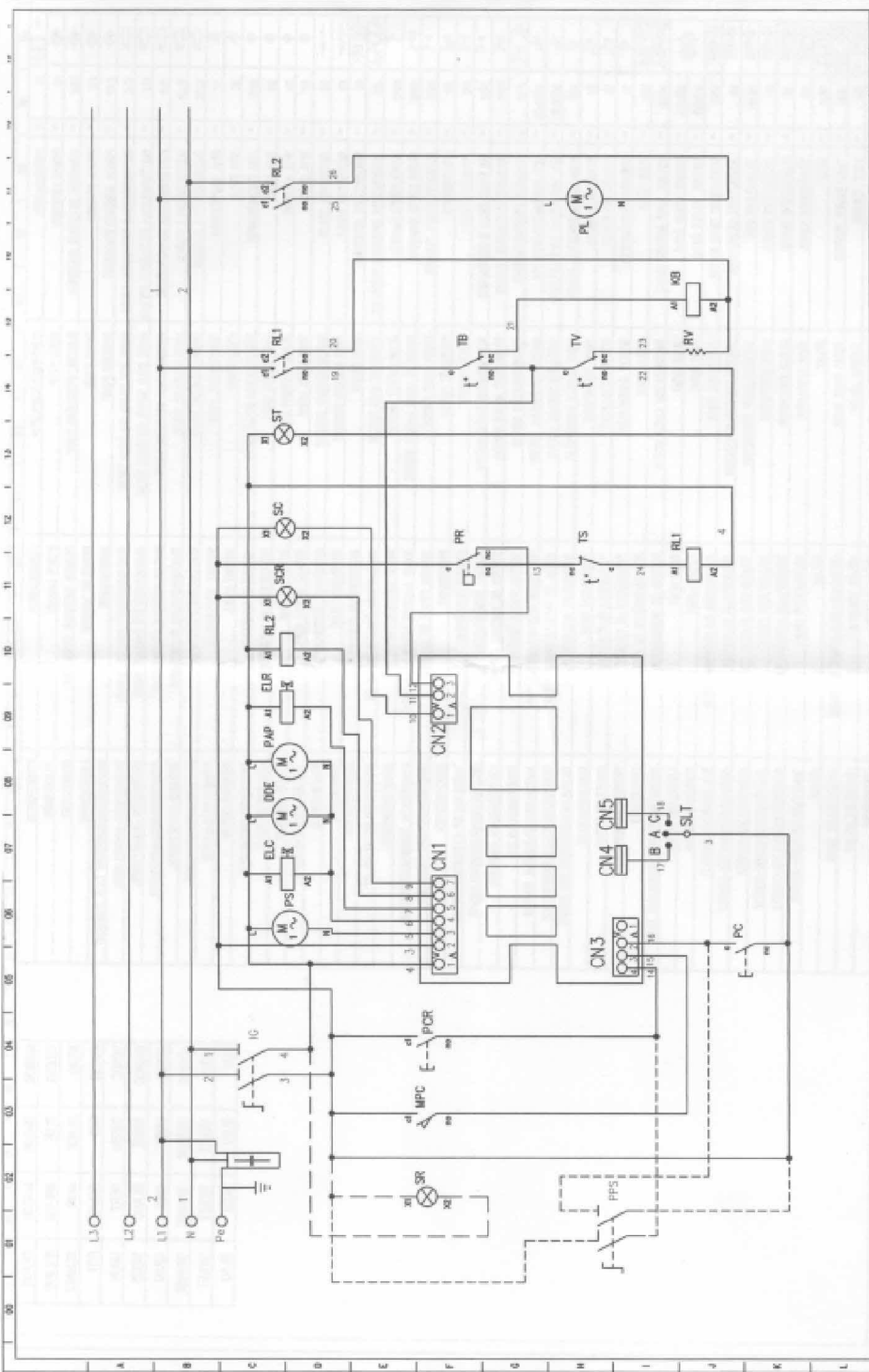
2KW

⊗ terminals of the heating element:
do not join for 220/240Vac alimentation

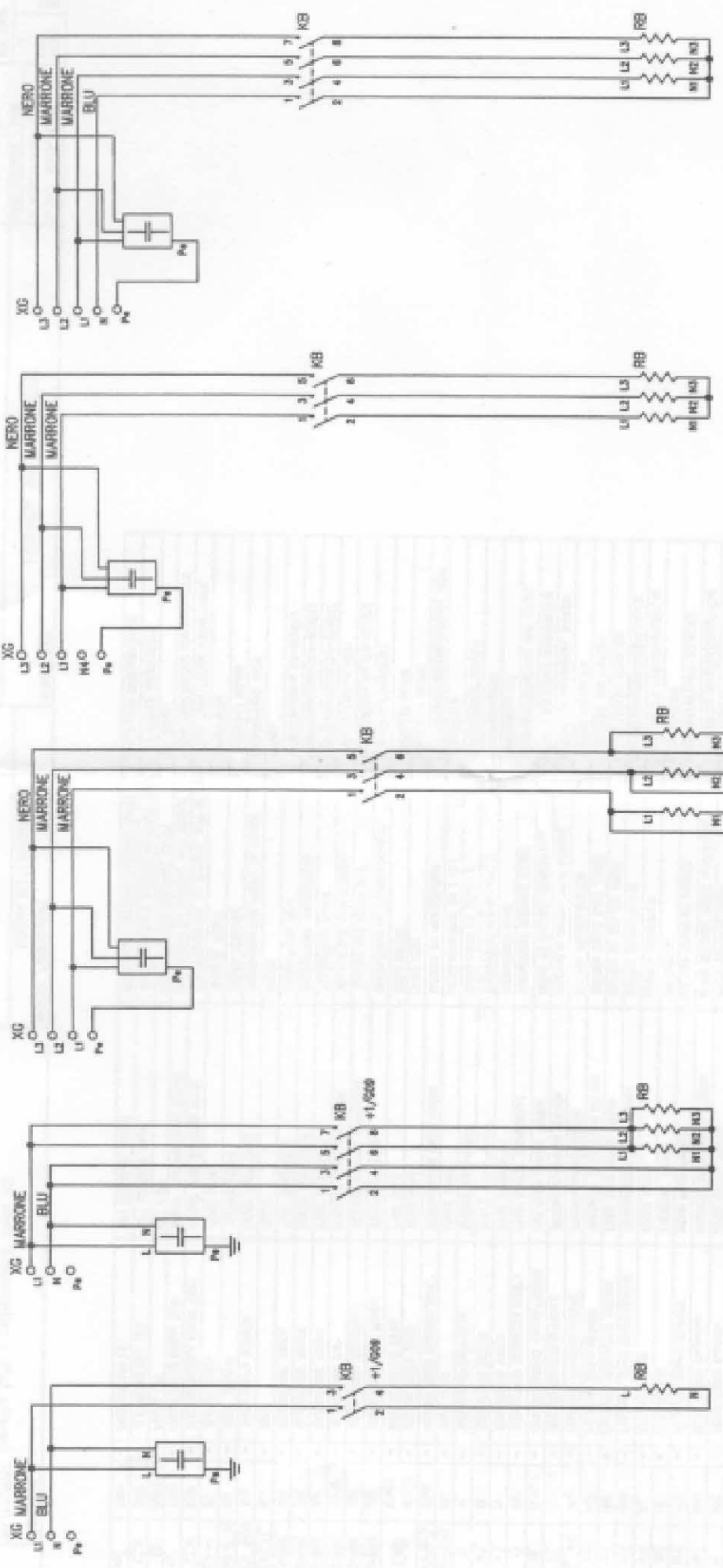
terminali resistenza da non collegare
per alimentazione 220/240Vac

MARRONE	BROWN	MARON	BRUN
CELESTE	BLUE	BLU-CAIR	HELL BLAU
NERO	BLACK	NOIR	SCHARZ
ROSSO	RED	ROUGE	ROT
VERDE	GREEN	VERT	GRUN
BIANCO	WHITE	BLANC	WEISS
GRIGIO	GREY	GRIS	GRAU
ARANCIO	ORANGE	ORANGE	ORANGE
VIOLA	VIOLET	VIOLET	VIOLET
BLU	BLEU	BLEU	BLAU

REV. 00	REV. 00	00000	49905	SCHEMA ELET. DI POTENZA / ELECTRIC POWER DIAGRAM	N. DES. 49905-00/01 N. ARCH. 01 49905-00 DATA EMISSIONE / DATE 29/04/05	FOLIO 1 PAGE 1	DESS FOLLOWS 1
MONTATO / INSTALLATION		SCHEMA ELET. LAVORAZIONE		TITOLO / TITLE		TOT. FOGLI TOT. PAGE	
220-240 V 1P+N		50/60 Hz		49905		1	



REV. 0.3	REV./DATE 16/06/04	MPRANTO / INSTALLAZIONE SCHEMA ELETTRICISTORILE	TITOLO / TITEL SCHEMA FUNZIONALE / ELECTRICAL DIAGRAM	N. DES. 40929-02-imp N. ARCH. O-18029-03 DATA EMISSIONE / DATE 05/06/03	FOGLIO PAGE 1	SERIE FOLLIO 2
		220-240V 1P+N 50/60Hz	40929		TOT. FOGLI TOT. PAGE 2	



220-240 1P+N 50/60HZ 220-240 1P+N 50/60HZ 220-240 3P 50/60HZ 400-415 3P 50/60H 400VAC 3P+N 50/60HZ

REV.	REV./DATE	TITOLO / FILE	N. DOS. 42923-02.DWG N. AUTOS. 0-42923-02	SCHEMATA PAGE	SCHEMATA PAGE	TOT. FILE TOT. PAGE
02	20/12/05	Schema ELET.DI POTENZA / ELETTRIC POWER DIAGRAM	DATA INGRESSO / DATE	1	2	2
		COLLOC.	18/12/03			
			42923			

REV.	REV./REV.	INserito tutti i collegamenti delle RB	MPANTO / INSTALACION	SCHEMA ELETTAVANTORILE	TITOLO / TITEL	N. DES. 42923-BLOW N. ARCH. CI-42923-0	FOGLIO PAGE	SCALE FOLLOW
01	20/12/05				LEGENDA SIGLE / LEGEND	DATA EMISSIONE / DATE 16/12/03	2	
								TOT. FOGLI TOT. PAGE 2
A	C	CONDENSATORE	CONDENSER/CAPACITOR					
	PL	POMPA LAVAGGIO	WASH PUMP					
	DEE	DOSATORE DISSOLVO ELETTRICO	ELECTRIC DISSOLVANT PUMP					
	PS	POMPA SCARICO	DRAIN PUMP					
	FP	POMPA ALIMENTI PRESSIONE	BOOSTER PUMP					
	ELC	ELETTROVALVOLA RISCALDAMENTO CALDO	HEAT HOT WATER SOLENOID VALVE					
	ELF	ELETTROVALVOLA RISCALDAMENTO FREDDO	HEAT COLD WATER SOLENOID VALVE					
	ELR	ELETTROVALVOLA RIGENERAZIONE	REGENERATION SOLENOID VALVE					
	ELOR	ELETTROVALVOLA CARICO	LOAD SOLENOID VALVE					
	ELSC	ELETTROVALVOLA SCARICO	DRAIN SOLENOID VALVE					
	SC	SPA TEMPERATURA	TEMPERATURE LIGHT					
	SP	SPA CICLO	CYCLE LIGHT					
	SPR	SPA RIGENERAZIONE	REGENERATION CYCLE LIGHT					
	SR	SPA RETE	WASH SWITCH LIGHT					
	SA	SPA ALLARME	ALARM WARNING LIGHT					
	SV	SPA VASCA	TANK LEVEL LIGHT					
	RS	RESISTENZA BOILER	BOILER HEATING ELEMENT					
	RV	RESISTENZA VASCA	TANK HEATING ELEMENT					
	IB	INTERUTTORE GENERALE	MAIN SWITCH					
	IG	INTERUTTORE GENERALE STAND BY	STAND BY MAIN SWITCH					
	IPC	MGRO PORTA Contatto	DOOR SAFETY SWITCH					
	IPM	MGRO PORTA Magnetico	MAGNETIC DOOR SAFETY SWITCH					
	PPS	PULSANTE POMPA SCARICO	DRAIN PUMP SWITCH					
	PR	PRESSIONATO	PRESSURE SWITCH					
	PC	PILANIE CICLO	CYCLE SWITCH					
	PCR	PILANIE CICLO RIGENERAZIONE	REGENERATION CYCLE SWITCH					
	PRF	PILANIE RISCALDO FREDDO	COLD WATER SWITCH					
	PD	PILANIE CICLO MPANTO	MPANTO CYCLE SWITCH					
	PPS	PILANIE PROGRAMMAZIONE	PROGRAMMATION SWITCH					
	AV	AV. AUTOMATICO/AMMIALE	AUTOMATIC/AMMIAL SWITCH					
	DEVOLE	DEV. RISCALDO CALDO/FREDDO	HOT/COLD HEATING SWITCH					
	TP	TEMPERATO RISCALDO POMPA	PUMP SAFETY THERMOSTAT					
	TV	TEMPERATO VASCA	TANK THERMOSTAT					
	TS	TEMPERATO SORDEZZA	SAFETY THERMOSTAT					
	MTS	TIMER CICLO	CYCLE TIMER					
	MTOR	TIMER TIMER RIGENERAZIONE	REGENERATION CYCLE MOTOR					
	MTAL	MOTORE LENTO (MTS)	SLOW (MTS)					
	MTOR	MOTORE VELOCE (MTS)	FAST (MTS)					
	MTS	CONTATTORE TIMER INERZIA	CONTACTOR TIMER					
	TLR	TELEUTATTORE RESISTENZA	TELEHEATING RESISTANCE					
	TFP	TELEUTATTORE PIP	BOOSTER PUMP CONTACTOR					
	TFP	TELEUTATTORE POMPA	PUMP CONTACTOR					
	TLR	TELEUTATTORE BOILER	BOILER CONTACTOR					
	ELV	ELEUTATTORE VASCA	TANK CONTACTOR					
	RLV	RELE'	RELAY					
	TPS	TIMER POMPA SCARICO	DRAIN PUMP TIMER					
	RL	RELE' TERMICO	THERMIC RELAY					
	BL	BLOCCO PORTA	DOOR LOCK					
	ELBT	ELETTROVALVOLA BREAK TANK	BREAK TANK SOLENOID VALVE					
	PRBT	PRESSIONATO BREAK TANK	BREAK TANK PRESSURE SWITCH					
	PLFT	POMPA LIFT	LIFT PUMP					
	ELF	ELETTROVALVOLA LIFT	LIFT SOLENOID VALVE					
	PRLF	PRESSIONATO LIFT	LIFT PRESSURE SWITCH					

CONDENSATOR
POMPE LAVAGE
DOSEUR ELECTRIQUE DISSOLVANT
POMPE DE VIDEAGE
POMPES
ELECTROVALVULE RISCALD CHAUD
ELECTROVALVULE RISCALD FROID
ELECTROVALVULE RIGENERATION
ELECTROVALVULE CHARGEMENT
ELECTROVALVULE SCARAGE
VOTANT TEMPERATURE
VOTANT CYCLE
VOTANT REGENERATION
VOTANT RESEAU ELECTRIQUE
VOTANT ALARME
VOTANT NIVEAU CUIVE
RESISTANCE SURCHAUFFEUR
RESISTANCE CUIVE
INTERUTTEUR GENERAL
INTERUTTEUR GENERAL STAND BY
MGRO SECURITE PORTE
MGRO SECURITE PORTE MAGNETIQUE
BOULON POMPE DE VIDEAGE
PRESSOSTAT
BOULON ETAMPEUR
VOTANT REGENERATION
VOTANT DE RISCALD FROID
BOULON CYCLE TANK HEAT
BOULON PROGRAMMATION
SELECTEUR AUTOMATIQUE/AMMIAL
COMA DE RISCALD CHAUD/FROID
THERMOSTAT SECURITE POMPE
THERMOSTAT CUIVE
THERMOSTAT SURCHAUFFEUR
THERMOSTAT DE SECURITE
PROGRAMMATEUR DU CYCLE
MOTEUR DU REGENERATOR
MOT (MTS) LENT
MOT (MTS) RAPIDE
CONTACTEUR DU PROGRAMMATEUR
TELEHEATING RESISTANCE
TELEPOMPE BOOSTER
TELEPOMPE POMPE
TELEPOMPE SURCHAUFFEUR
TELEPOMPE CUIVE
RELAYS
PROGRAMMATEUR POMPE DE VIDEAGE
RELAYS TERMIQUE
SERRE PORTE
ELECTROVALVULE DU SYSTEME AERI RETOUR
PRESSOSTAT DU SYSTEME AERI RETOUR
POMPE SYSTEME RELEVAGE CAPOT
ELECTROVALVULE SYSTEME RELEVAGE CAPOT
PRESSOSTAT SYSTEME RELEVAGE CAPOT

CONDENSATOR
WASH PUMP
ELECTRIC DISSOLVANT PUMP
DRAIN PUMP
PUMPS
ELECTROVALVULE RISCALD CHAUD
ELECTROVALVULE RISCALD FROID
ELECTROVALVULE RIGENERATION
ELECTROVALVULE CHARGEMENT
ELECTROVALVULE SCARAGE
TEMPERATURE LIGHT
CYCLE LIGHT
WASH SWITCH LIGHT
ALARM WARNING LIGHT
TANK LEVEL LIGHT
BOILER HEATING ELEMENT
TANK HEATING ELEMENT
MAIN SWITCH
STAND BY MAIN SWITCH
DOOR SAFETY SWITCH
MAGNETIC DOOR SAFETY SWITCH
DRAIN PUMP SWITCH
PRESSURE SWITCH
CYCLE SWITCH
REGENERATION CYCLE SWITCH
COLD WATER SWITCH
MPANTO CYCLE SWITCH
PROGRAMMATION SWITCH
AUTOMATIC/AMMIAL SWITCH
HOT/COLD HEATING SWITCH
PUMP SAFETY THERMOSTAT
TANK THERMOSTAT
SAFETY THERMOSTAT
CYCLE TIMER
REGENERATION CYCLE MOTOR
SLOW (MTS)
FAST (MTS)
CONTACTOR TIMER
HEATING ELEMENT CONTACTOR
BOOSTER PUMP CONTACTOR
PUMP CONTACTOR
BOILER CONTACTOR
TANK CONTACTOR
RELAY
DRAIN PUMP TIMER
THERMIC RELAY
DOOR LOCK
BREAK TANK SOLENOID VALVE
BREAK TANK PRESSURE SWITCH
LIFT PUMP
LIFT SOLENOID VALVE
LIFT PRESSURE SWITCH

CONDENSATOR
WASH PUMP
ELECTRIC DISSOLVANT PUMP
DRAIN PUMP
PUMPS
ELECTROVALVULE RISCALD CHAUD
ELECTROVALVULE RISCALD FROID
ELECTROVALVULE RIGENERATION
ELECTROVALVULE CHARGEMENT
ELECTROVALVULE SCARAGE
TEMPERATURE LIGHT
CYCLE LIGHT
WASH SWITCH LIGHT
ALARM WARNING LIGHT
TANK LEVEL LIGHT
BOILER HEATING ELEMENT
TANK HEATING ELEMENT
MAIN SWITCH
STAND BY MAIN SWITCH
DOOR SAFETY SWITCH
MAGNETIC DOOR SAFETY SWITCH
DRAIN PUMP SWITCH
PRESSURE SWITCH
CYCLE SWITCH
REGENERATION CYCLE SWITCH
COLD WATER SWITCH
MPANTO CYCLE SWITCH
PROGRAMMATION SWITCH
AUTOMATIC/AMMIAL SWITCH
HOT/COLD HEATING SWITCH
PUMP SAFETY THERMOSTAT
TANK THERMOSTAT
SAFETY THERMOSTAT
CYCLE TIMER
REGENERATION CYCLE MOTOR
SLOW (MTS)
FAST (MTS)
CONTACTOR TIMER
HEATING ELEMENT CONTACTOR
BOOSTER PUMP CONTACTOR
PUMP CONTACTOR
BOILER CONTACTOR
TANK CONTACTOR
RELAY
DRAIN PUMP TIMER
THERMIC RELAY
DOOR LOCK
BREAK TANK SOLENOID VALVE
BREAK TANK PRESSURE SWITCH
LIFT PUMP
LIFT SOLENOID VALVE
LIFT PRESSURE SWITCH

CONDENSATOR
WASH PUMP
ELECTRIC DISSOLVANT PUMP
DRAIN PUMP
PUMPS
ELECTROVALVULE RISCALD CHAUD
ELECTROVALVULE RISCALD FROID
ELECTROVALVULE RIGENERATION
ELECTROVALVULE CHARGEMENT
ELECTROVALVULE SCARAGE
TEMPERATURE LIGHT
CYCLE LIGHT
WASH SWITCH LIGHT
ALARM WARNING LIGHT
TANK LEVEL LIGHT
BOILER HEATING ELEMENT
TANK HEATING ELEMENT
MAIN SWITCH
STAND BY MAIN SWITCH
DOOR SAFETY SWITCH
MAGNETIC DOOR SAFETY SWITCH
DRAIN PUMP SWITCH
PRESSURE SWITCH
CYCLE SWITCH
REGENERATION CYCLE SWITCH
COLD WATER SWITCH
MPANTO CYCLE SWITCH
PROGRAMMATION SWITCH
AUTOMATIC/AMMIAL SWITCH
HOT/COLD HEATING SWITCH
PUMP SAFETY THERMOSTAT
TANK THERMOSTAT
SAFETY THERMOSTAT
CYCLE TIMER
REGENERATION CYCLE MOTOR
SLOW (MTS)
FAST (MTS)
CONTACTOR TIMER
HEATING ELEMENT CONTACTOR
BOOSTER PUMP CONTACTOR
PUMP CONTACTOR
BOILER CONTACTOR
TANK CONTACTOR
RELAY
DRAIN PUMP TIMER
THERMIC RELAY
DOOR LOCK
BREAK TANK SOLENOID VALVE
BREAK TANK PRESSURE SWITCH
LIFT PUMP
LIFT SOLENOID VALVE
LIFT PRESSURE SWITCH