

# CHIEFTAIN HEAVY DUTY ELECTRIC APPLIANCES

## INSTALLATION and SERVICING INSTRUCTIONS



### **IMPORTANT**

The installer must ensure that the installation of the appliance is in conformity with these instructions and National Regulations in force at the time of installation. Particular attention **MUST** be paid to -

**BS7671 IEE Wiring Regulations**

**Electricity at Work Regulations**

**Health And Safety At Work Act**

**Fire Precautions Act**

This appliance has been CE-marked on the basis of compliance with the Low Voltage and EMC Directives for the voltages stated on the Data Plate

### **WARNING -THIS APPLIANCE MUST BE EARTHED**

On completion of the installation these instructions should be left with the Engineer-in-Charge for reference during servicing. Further to this, The Users Instructions should be handed over to the User, having had a demonstration of the operation and cleaning of the appliance.

**IT IS MOST IMPORTANT THAT THESE INSTRUCTIONS BE CONSULTED BEFORE INSTALLING AND COMMISSIONING THIS APPLIANCE. FAILURE TO COMPLY WITH THE SPECIFIED PROCEDURES MAY RESULT IN DAMAGE OR THE NEED FOR A SERVICE CALL.**

### **PREVENTATIVE MAINTENANCE CONTRACT**

In order to obtain maximum performance from this unit we would recommend that a Maintenance Contract be arranged with FALCON SERVICE LINE. Visits may then be made at agreed intervals to carry out adjustments and repairs. A quotation will be given upon request to the FALCON SERVICE LINE contact numbers below.

## **Falcon Foodservice Equipment**

### **HEAD OFFICE AND WORKS**

PO Box 37, Foundry Loan, Larbert.  
Stirlingshire. Scotland. FK5 4PL

### **AFE SERVICELINE CONTACT -**

PHONE - 01438 363 000 FAX - 01438 369 900

RZZ 190 Ref. 3

## SECTION 1 - INSTALLATION

UNLESS OTHERWISE STATED, PARTS WHICH HAVE BEEN PROTECTED BY THE MANUFACTURER ARE NOT TO BE ADJUSTED BY THE INSTALLER

### 1.1 MODEL NUMBER, NETT WEIGHTS and DIMENSIONS

This manual refers to the following models -

MODEL	WIDTH mm	DEPTH mm	HEIGHT mm	WEIGHT kg	WEIGHT lbs
E1006 (Three Solid Hotplates)	900	850	890	227	500
E1016 General Purpose Oven	900	850	890	150	330
E1016/2 Two Tier Oven	900	850	1740	300	660
E1026 (Three Solid Hotplates)	900	850	890	170	374

Note - Pot racks not included

### 1.2 SITING

Each unit must be fixed on to a firm, level, heat resistant, non-combustible floor in a well lit position.

Units are best situated below a ventilating canopy to remove cooking vapours etc.

Installation must be made in accordance with local and/or national regulations applying at the time. Close attention must be paid to fire prevention regulations also. A competent installer must be employed.

Where the appliance is to be positioned close to a wall, partition, kitchen furniture, decorative finish etc., of combustible construction, there should be a clearance all round of 150mm.

In addition, this allows removal of side panels for servicing. The walls or partitions must be non-combustible or clad with a similar material should the appliance be required to be positioned closer than 150mm.

### 1.3 ELECTRICITY SUPPLY

These appliances are suitable for AC supplies only. On the range, the standard terminal arrangement is for 3 phase/ 4 wire connection but by linking the 3 line terminals, the unit can be connected to a single phase supply. Suitable links are provided when single phase supply is specified at the time of ordering.

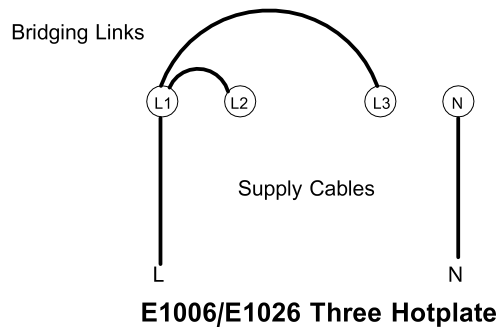
#### Note

When connecting to a single phase supply, the three line terminals must be connected together using the wire links provided. It is important that the links and incoming supply cable are connected exactly as shown in the following sketches.

General purpose ovens are single-phase operation only.

Each oven in a two tier unit has an independant connection point.

A suitably rated isolating switch with contact separation of at least 3mm in all poles, must be installed. The wiring must be executed in accordance with the relevant regulations listed on the front cover of this manual.



**Warning - THIS APPLIANCE MUST BE EARTHED.**

### Electrical Ratings (kW)

The electrical ratings are as stated on the data plate.

### Important

After installation, before leaving the site, the engineer should check that all electrical connections are secure and that the appliance is functioning satisfactorily. The engineer should also demonstrate the operating procedure to the kitchen staff.

## SECTION 2 - ASSEMBLY

### 2.1 ASSEMBLY

- Place the unit in position and level using the foot adjuster. Each foot contains a hole which enables the appliance to be fixed to the floor.
- Open the oven door, pull out the shelves and remove the runners (lift up from the bottom and ease outward then lower to free top fixing). Lift out the enamelled base plate and remove the baffle tray. Check that all packing material has been removed from the element chamber.

Replace all parts in reverse order.

- Check the top plates are correctly located upon the support pins.
- Make the electrical connection via the conduit entry at the centre rear of the unit.
- A pot rack may be supplied as an optional extra, to assemble this, proceed as follows :-

- Bolt the standards loosely to the hob. The fixings are normally left in the hob.
- Lay the pot rack across the standards, bolt together and secure.

#### 2.1.2 General Purpose Ovens

Single tier with worktop, proceed as 1, 2 and 4 above.

#### 2.1.3 Two Tier Ovens

The lower tier has adjustable feet. The top tier has no such means of adjustment. Lift the top tier on to the lower tier and locate the two front legs over the raised bosses on the top plate of the lower unit.

Proceed as 1, 2 and 4 above.

### 2.1.4 Boiling Tables

Proceed as for ranges but omit section 2.

#### Note

The centre shelf locates on two runners which clip into slots in the inner sides. There are a choice of three shelf heights, the runners are interchangeable.

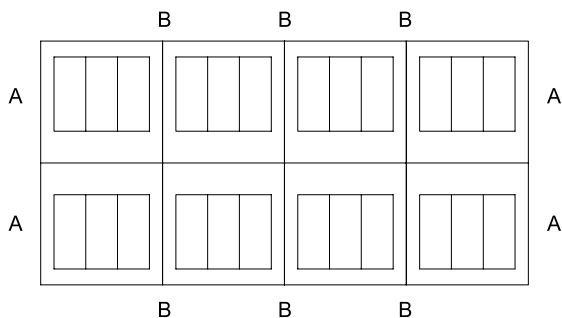
### 2.1.5 Assembly of Multiple Suite Units

The basic method of joining multiple units is shown in the diagrams, these consist of tieplates and bolts. The specific procedure is detailed in Section 2.3 and applies to homogenous 1006 Suites, NOT Dominator suites containing Chieftain models.

### 2.1.6 Outer Panels

Where two units require to be situated together, the outer side panels should be removed.

e.g. in the 8 unit suite shown in the diagram there would only be outer panels at 'A'. Infill strips must be attached at 'B' on joining models to create a finished line in the absence of outer panels.



### 2.1.7 Components Supplied

Each unit is supplied complete with two tie plates fixed to the underside of the cast iron hob rear. A set of hob tie bolts are also supplied.

Each set comprises -

- Two hob tie bolts c/w nuts and washers.
- Two base tie plate bolts c/w nuts and washers.

### 2.1.8 Service Void End Panels

Service void end panels may be supplied. These clip under the hobs and are secured at the bottom with self-tapping screws.

### 2.1.9 Isolating Switch

A suitably rated isolating switch with contact separation of 3mm in all poles **MUST BE PROVIDED** on the installation and

arrangements should be such as to allow servicing to be carried out without closing down the suite.

## 2.2 FLOOR FIXING

Each foot has a hole for floor fixing if required.

## 2.3 ASSEMBLY PROCEDURE (CENTRAL SUITES)

Unpack all nuts and refer to the suite installation plan.

- Position and level the first appliance, commencing at one corner of the suite.
- Move the second appliance into position beside the first and level.
- Remove the adjoining corner posts from the units. To achieve this, undo the fixing which projects up through either base into the corner post. Remove the post by pulling the bottom end out to clear the base and lower.
- Ensure that the hobs are flush and adjust the legs as necessary. Bolt the hobs together through the side flanges using the fixings etc., provided - See Figure 1.
- Remove one of the joining tie plates from the rear underside of the hob areas. Loosen the other plate and rotate it through 180°. Secure this to the adjacent hob using the fixing from the first plate - See Figure 2.

#### Note

Half the plate will now project from the rear of the hob joint. This is eventually required for securing to the appliances on the other side of the suite.

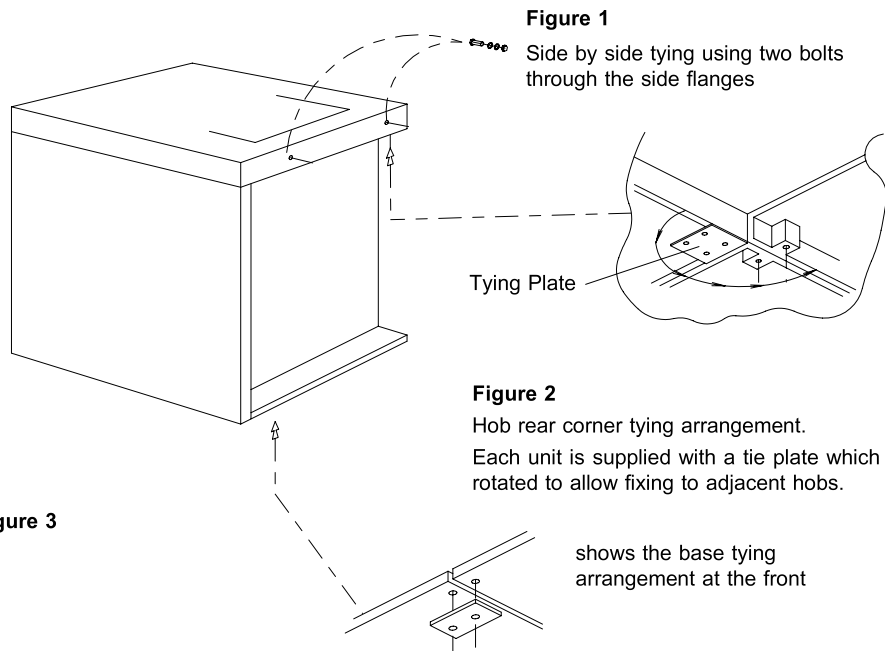
- The plate which has been removed from the hob underside is now used to tie the bases of the adjoining units together at the front, behind the corner post positions - See Figure 3.
- Repeat the above procedure for the remaining model(s) until all units along one side of the suite are assembled. Replace the corner posts, control knobs, etc.
- Make the electrical connections.
- Complete the opposite side of the suite following the same procedure. Ensure that a flush, tight joint line is established between the hobs.

CONNECT THE ELECTRIC SUPPLY TO EACH UNIT AS ASSEMBLY PROCEEDS.

- Secure a tieplate across the hob joint at each extreme end of the suite and fit the service void panels.
- Check each unit in the suite as detailed in Section 2 - Assembly of Single Units.

## 2.4 ASSEMBLY PROCEDURE (WALL SUITES)

Procedure is generally as per central suites, depending on proximity of a rear wall or other models. The electrical connection may have to be fitted as building proceeds.



## SECTION 3 - MAINTENANCE

BEFORE ATTEMPTING ANY MAINTENANCE, ISOLATE THE APPLIANCE AT THE MAIN SWITCH AND TAKE STEPS TO ENSURE THAT IT IS NOT INADVERTENTLY SWITCHED ON.

When ordering spare parts, please quote model number, serial number and voltage stated on the data plate. This is fitted to the fixed element cover behind the bottom facia panel.

### REMOVAL OF EXTERNAL PANELS

#### 3.1 OUTER PANELS

##### 3.1.1 Top Facia Panel

This is secured by one fixing at each end which projects through the heat deflector panel.

##### 3.1.2 Lower Facia Panel

Lift to unhook then hinge downward. The mesh terminal guard will be exposed and may be removed by undoing two fixings to gain access to the mains terminals, etc.

##### 3.1.3 Corner Post

The corner post locates in a recess at the top. It is secured by two fixings at the bottom.

##### 3.1.4 Oven Door

Remove the corner post and drop the lower facia panel. Unhook the springs at either side whilst supporting the weight of the door to prevent accidental opening. Open the door approximately three-quarters of its travel, lift it clear of the hinge pins and pull forward.

##### 3.1.5 RH Outer Panel

Remove the fixings which secure the panel bottom flange to the underside of the base. Slide panel back approximately 25mm to withdraw the two pins which locate into the rear of the corner post.

Pull the panel out slightly at the bottom and slide it downward to clear the top flange which engages under the lip on the side of the hob.

### 3.2 REMOVAL AND REPLACEMENT OF ELECTRICAL COMPONENTS

#### 3.2.1. Oven Thermostat

Remove the corner post and pull the thermostat knob off. Undo the fixings which secure the thermostat to the corner post and the electrical connections and clip which retain the capillary to the oven side panel.

Slide the thermostat out of the clips on the oven crown plate. Bend the

phial slightly and ease it out of the cavity via the hole in the oven side through which the capillary tube passes. The curve in the phial will assist clearance from the control chamber.

#### Note

If the outer side can be removed, thermostat removal can be achieved without bending the phial.

When replacing the oven thermostat, take care not to bend the phial too sharply. Neatly coil the excess capillary and cover it with insulating sleeving from the previous thermostat.

KEEP THE CAPILLARY CLEAR OF LIVE ELECTRICAL PARTS.

ENSURE THAT THE EARTH WIRE IS REPLACED.

#### 3.2.2 Oven Thermostat Calibration

To adjust the setting, insert a screwdriver through the spindle centre.

Turn the screw anti-clockwise to increase the temperature setting or clockwise to decrease it. The oven temperature should be measured at the oven centre.

### 3.3 NEON INDICATOR LAMPS

Remove the appropriate panel. Pull off the electrical connections on the lamp which requires to be replaced and undo the rear fixing nut.

### 3.4 HOTPLATE CONTROL SWITCHES

Remove the top facia panel and undo the switch terminal connections. Note the position of the conductors before removal. Pull the control knob off and undo the fixings which secure the control to the panel. Fit the new switch, ensuring that the serrated washers are fitted below the heads of the fixing screws and the correct wiring connections are made.

Reference to the wiring diagram supplied with this manual will assist.

Ensure that the earth wire is replaced.

## **3.5 OVEN ELEMENTS**

### **3.5.1 Top Elements (Two off)**

Each element is located by four fixings to the oven crown plate and one to a bracket where the element enters the oven.

#### **To Remove**

Remove corner post or LH outer panel. Pull the element connections off and undo the fixings inside the oven. Withdraw element.

The elements are identical and interchangeable.

### **3.7.2 Bottom Elements (Two off)**

Remove the oven shelves, shelf hangers, enamelled base and galvanised tray.

Open the lower fascia and remove the mesh terminal guard. Pull off the element connections.

Remove the enamelled oven back lining (lift upward) and also the insulation cover panel (lift upward) and insulation pad.

Each assembly is secured by three fixings, one through the bracket where the element passes through the front lining and one in either support bracket.

Remove the whole assembly and re-use the support bracket again when replacing. Elements are identical and interchangeable when removed from the brackets.

## **3.8 HOTPLATE ELEMENTS**

The element tails are connected to terminal blocks at the front of the boiling top and these are accessible when the top fascia panel is removed.

### **3.8.1 To Remove A Solid Hotplate**

Disconnect the element tails, noting their respective positions for correct replacement. Prise the hotplate assembly up at the rear with a screwdriver and lift it upward, pivoting on the front edge. Hold the hotplate in this position and disconnect the earth wire from the supports. Withdraw the flexible tails through the insulating bushes and lift the hotplate assembly clear.

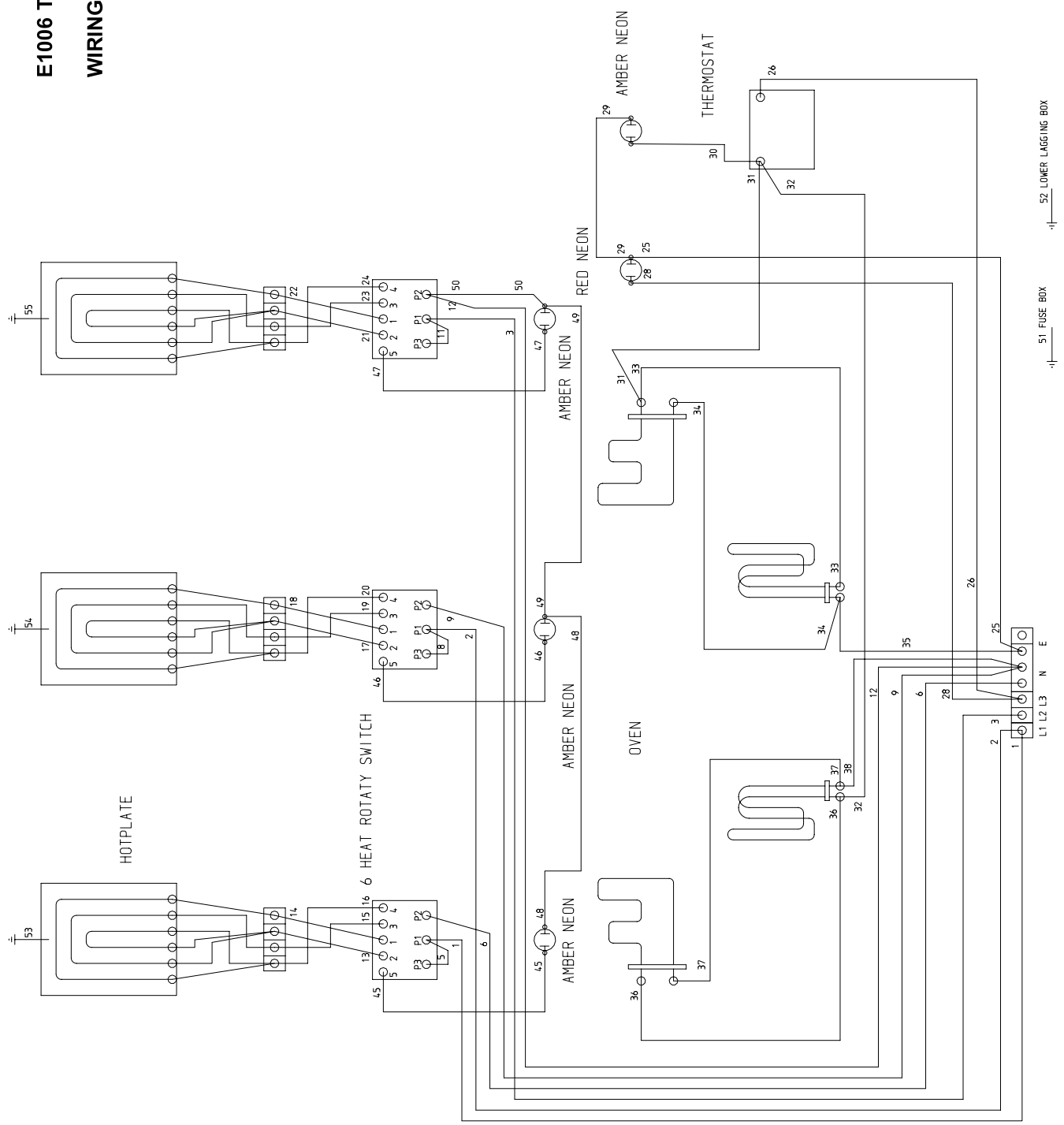
### **3.8.2 To Remove The Solid Plate Elements**

Undo the nuts on the underside of the hotplate assembly. Remove the insulation panel and insulation. Remove the nuts and washers which secure the clamp plate to the underside of the hotplate and remove the clamp plate. Prise out the faulty element(s).

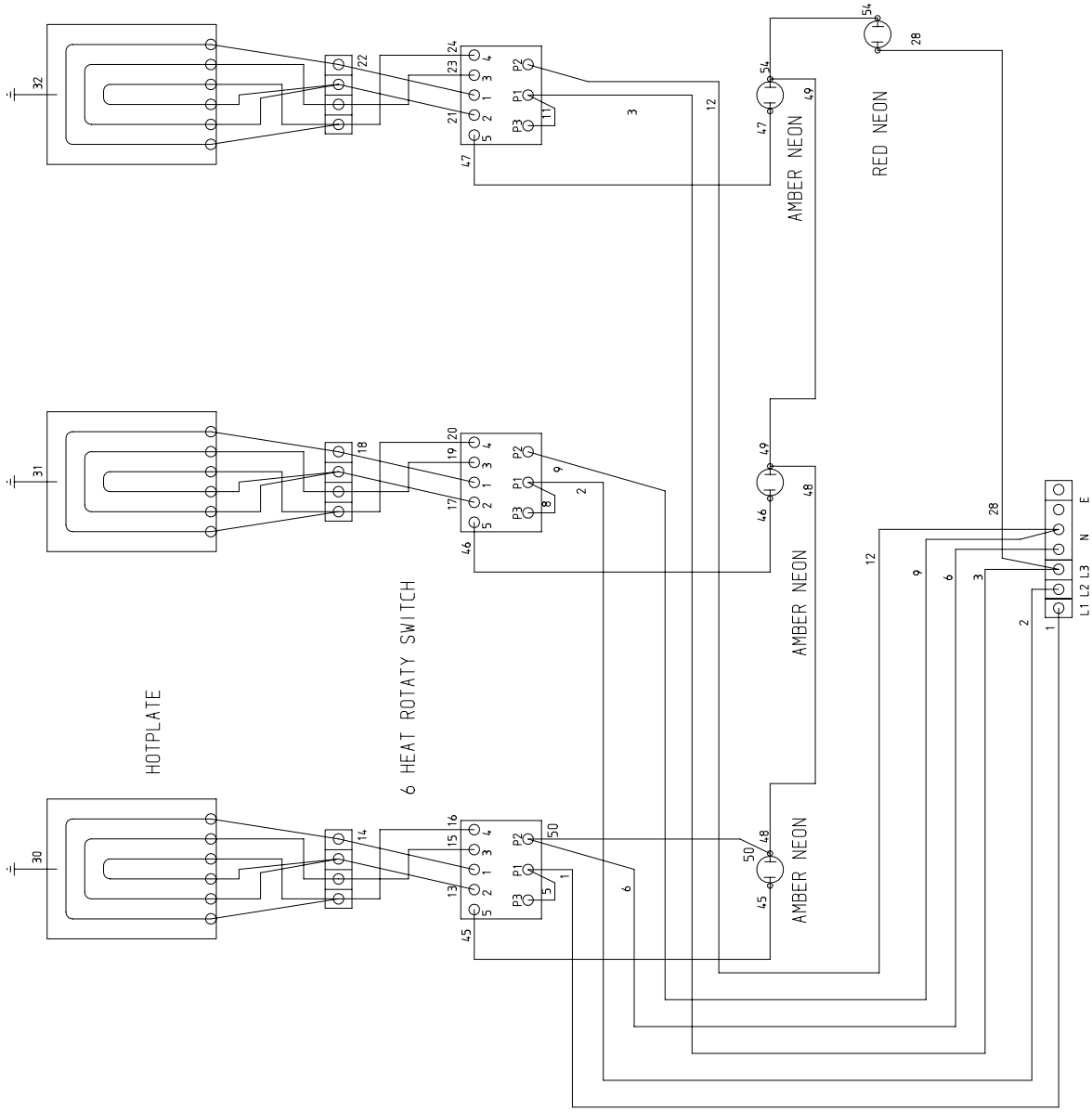
When fitting a new element ensure that the replacement(s) bed down snugly in the hotplate grooves. Tighten down the clamp plate evenly and firmly from the centre and check the earth connection.

Ensure that no gaps are present in the insulating beads and cover the beads with the heat resistant insulating sleeve.

# E1006 THREE HOTPLATE RANGE WIRING DIAGRAM



# E1026 THREE HOTPLATE BOILING TABLE WIRING DIAGRAM



# E1016 GENERAL PURPOSE OVEN

## WIRING DIAGRAM

