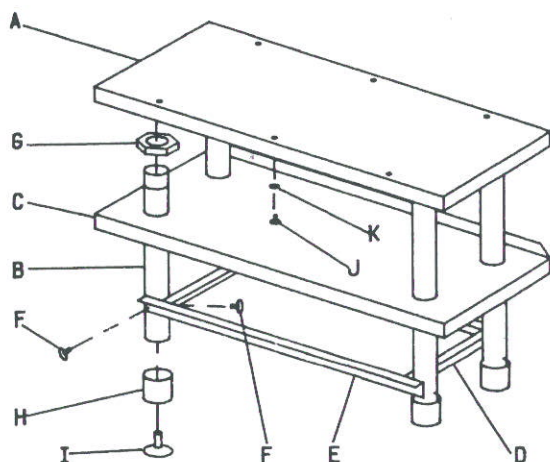


SERIES 350



350/44, 45 & 60 STAND UNITS

ASSEMBLY INSTRUCTIONS



1. The floor stand kit consists of the following

	350/44	350/45	350/60
A. Top Panel	1	1	1
B. Legs	4	4	4
C. Shelf	1	1	1
D. Leg Stiffening Angle	2	2	2
E. Cross Stiffening Angle	2	2	2
F. Hex Head Screws M8 x 16	8	8	8
G. Locknut	4	4	4
H. Foot Covers	4	4	4
I. Adjustable Feet	4	4	4
J. Hex Head Screws M6 x 25	2	4	6
K. Plain Washer M8	2	4	6
L. Levelling Screws M8 x 16	4	8	12

- Lay the top panel 'A' upside down and after screwing the locknut 'G' onto the legs 'B' screw the legs into the corner socket. The legs should be screwed fully home but left untightened.
- Fit the shelf 'C' over the legs with the flanges upwards.
- Fit the two stiffening angles 'D' and the two cross stiffening angles 'E' to the legs using hex head screws 'F' unscrewing the legs so that the holes line up properly, then tighten hex locknuts 'G'.
- Fit the feet covers 'H' over the ends of the legs, with the small fixing screws next to the shelf. Do not tighten the fixing screws at this stage.
- Fit the adjustable feet 'I', leaving the locknuts untightened at this stage.
- Turn the completed stand onto its feet, and place it near to its installed location. Push the shelf 'C' downwards till it rests on the stiffening angles.
- Remove the four adjustable feet from each of the appliance(s) to be fitted onto the stand. Fit the M8 x 16 levelling screws supplied into the holes vacated by the adjustable feet and place the appliance(s) onto the levelled stand.
- Level the appliance(s) onto the stand and against any adjoining units. Fix the appliance to the stand using the screws 'J' and washers 'K', through the holes in the top panel 'A'. (The 350/44 700mm stand has four fixing holes and the 350/45 1050mm stand has six).
- Install the appliance and stand in accordance with the appliance Installation Instructions. After final levelling, tighten the feet locknuts. (If desired the feet can be fixed to the floor, using the holes provided in them). Drop the foot covers to the floor, thus concealing the feet, and tighten the fixing screws in the covers.

Falcon Catering Equipment

HEAD OFFICE AND WORKS

Wallace View, Hillfoots Road, Stirling, FK9 5PY, Scotland.

AFE SERVICE LINE CONTACT -

PHONE - 01438 363 000 FAX - 01438 369 900



FOODSERVICE EQUIPMENT